



PARTS CATALOG

SKID STEER

L160

L170



BD07D169

TABLE OF CONTENTS

- General Information
- Section 1 – Engine
- Section 2 – Engine Equipment
- Section 3 – Ground Drive
- Section 6 – Electrical System
- Section 7 – Hydraulic System
- Section 8 – Sheet Metal/Decals
- Section 9 – Boom
- Section 10 – Operator's Platform
- Section 11 – Wheels
- Section 12 – Main Frame
- Section 18 – Accessories
- Section 19 – Attachments
- Index

TABLE OF CONTENTS

01.01.01		ENGINE, L160
01.01.01	01	ENGINE, L160 - L160 BSN N7M448360, L160 EU BSN N7M462079
01.01.01	02	ENGINE, L160 - L160 ASN N7M448360, L160 EU ASN N7M462079
01.01.02		ENGINE, L170 BSN N7M456357, L170 EU BSN N7M468799
01.01.03		ENGINE, L170 ASN N7M456357, L170 EU ASN N7M468799
01.02.01		CYLINDER BLOCK, L160 BSN N7M448360, L160 EU BSN N7M462079
01.02.01	01	CYLINDER BLOCK, L160 ASN N7M448360, L160 EU ASN N7M462079
01.02.02		CYLINDER BLOCK, L170 BSN N7M456357, L170 EU BSN N7M468799
01.02.02	01	CYLINDER BLOCK, L170 ASN N7M456357, L170 EU ASN N7M468799
01.02.02	02	GASKET KIT
01.02.03		HIGH IDLE ADJUSTMENT, L160 ASN N7M448360, L160 EU ASN N7M462079, L170 ASN N7M456357, L170 EU ASN N7M
01.03		BLOCK HEATER KIT
01.04		CYLINDER HEAD, L170 BSN N7M456357, L170 EU BSN N7M468799
01.04.01		CYLINDER HEAD, L160 BSN N7M448360, L160 EU BSN N7M462079
01.04.01	01	CYLINDER HEAD, L160 ASN N7M448360, L160 EU ASN N7M462079, L170 ASN N7M456357, L170 EU ASN N7M468799
01.05		VALVE COVER & CRANKSHAFT PULLEY, L170 BSN N7M456357, L170 EU BSN N7M468799
01.05	01	VALVE COVER & CRANKSHAFT PULLEY, L170 ASN N7M456357, L170 EU ASN N7M468799
01.05.01		CYLINDER HEAD COVER, L160 BSN N7M448360, L160 EU BSN N7M462079
01.05.01	01	CYLINDER HEAD COVER & CRANKSHAFT PULLEY, L160 ASN N7M448360, L160 EU ASN N7M462079
01.06		ROCKER ARMS, L160
01.06.01		ROCKER ARMS, L170
01.07		CAMSHAFT - L160 BSN N7M448360, L160 EU BSN N7M462079, L170 BSN N7M456357, L170 EU BSN N7M468799
01.07		CAMSHAFT - L160 ASN N7M448360, L160 EU ASN N7M462079, L170 ASN N7M456357, L170 EU ASN N7M468799
01.08		CRANKSHAFT & PISTONS
01.09		INTAKE MANIFOLD
01.10		EXHAUST MANIFOLD, L160
01.10.01		EXHAUST MANIFOLD, L170 BSN N7M456357, L170 EU BSN N7M468799
01.10.01	01	EXHAUST MANIFOLD, L170 ASN N7M456357, L170 EU ASN N7M468799
01.11		TIMING GEAR CASE, GOVERNOR - L160 BSN N7M448360, L160 EU BSN N7M462079, L170 BSN N7M456357, L170 EU
01.11	01	TIMING GEAR CASE, GOVERNOR, L160 ASN N7M448360, L160 EU ASN N7M462079, L170 ASN N7M456357, L170 EU A
01.12		OIL PAN, GAUGE & RELATED PARTS
01.13		OIL PUMP & SUCTION FILTER - L160 BSN N7M448360, L160 EU BSN N7M462079, L170 BSN N7M456357, L170 EU B
01.13	01	OIL PUMP & SUCTION FILTER, L160 ASN N7M448360, L160 EU ASN N7M462079, L170 ASN N7M456357, L170 EU AS
01.14		FUEL INJECTION SYSTEM - L160 BSN N7M448360, L160 EU BSN N7M462079, L170 BSN N7M456357, L170 EU BSN N
01.14	01	FUEL INJECTION SYSTEM, L160 ASN N7M448360, L160 EU ASN N7M462079, L170 ASN N7M456357, L170 EU ASN N7
01.15		INJECTOR
01.15	01	INJECTION PUMP, L160 ASN N7M448360, L160 EU ASN N7M462079, L170 ASN N7M456357, L170 EU ASN N7M468799
01.15.01		WATER PUMP & RELATED PARTS, L160
01.15.02		WATER PUMP & RELATED PARTS, L170
02.02		FLYWHEEL, BELL HOUSING & STARTER
02.03		STARTER

TABLE OF CONTENTS

02.04		ALTERNATOR MOUNTING
02.04.01		ALTERNATOR
02.06.01		AIR CLEANER, MUFFLER & FAN, L160
02.06.02		AIR CLEANER, MUFFLER & FAN, L170
02.07.01		AIR CLEANER - DONALDSON
02.07.02		AIR CLEANER INLET
02.08		MUFFLERS, ASPIRATOR & CATALYTIC
02.09		RADIATOR - COOLER
02.09.01		RADIATOR - COOLER
02.10		FUEL TANK (IF USED, ROUND FUEL PUMP, SEE REF 12)
02.10.1		FUEL TANK (IF USED, SQUARE FUEL PUMP, SEE REF 14)
03.01		FINAL DRIVE
03.01	01	FINAL DRIVE - DELUXE CAB
03.01.01		GEARBOX, RH & LH
03.02		TRANSMISSION CENTERING
03.03		MOUNTING - PUMP SUPPORT, PILOT CONTROL
03.04		HYDROSTATIC PUMP & MOTOR (IF USED)
03.04	02	HYDROSTATIC PUMP & MOTOR (IF USED, SEE REF 3)
03.04	03	HYDROSTATIC PUMP & MOTOR, MODELS WITH PILOT CONTROL
03.04	04	HYDROSTATIC PUMP & MOTOR, MODELS WITH PILOT CONTROL
03.04	05	HYDROSTATIC PUMP & MOTOR, MODELS WITH PILOT CONTROL
03.04.01		HYDROSTATIC CASE DRAIN
03.05		HYDROSTATICS - PILOT CONTROL TO PUMP
03.05.01		HYDROSTATICS - HAND CONTROL, PILOT CONTROLS
03.05.02		HAND CONTROL - PILOT CONTROL, UPPER LH
03.05.03		HYDROSTATICS - JOYSTICK VALVE KITS, ISO PATTERN
03.06.01		PISTON PUMP, FRONT
03.06.02		PISTON PUMP, CENTER MANIFOLD BLOCK
03.06.03		PISTON PUMP, REAR
03.07		HYDROSTATIC MOTOR
03.08.01		BRAKES
03.09		BRAKES, MODELS WITH PILOT CONTROL
03.09.01		BRAKE - ON ROAD, PILOT CONTROL
03.10		REXROTH PUMP AA20
03.10.01		PRESSURE RELIEF VALVE
03.10.02		PRESSURE RELIEF VALVE
03.10.03		INTERNAL GEAR PUMP
03.10.04		ROTARY GROUP, RIGHT HAND ROTATION
03.10.05		CONTROL, HYDRAULIC
03.10.06		CONTROL CARTRIDGE WITH ORIFICE
03.10.07		VALVE SECTION - LOCKING ELEMENTS
03.10.08		ROTARY GROUP, LEFT HAND ROTATION
06.01.01		MAIN ELECTRIC
06.01.01	02	MAIN ELECTRIC
06.01.01	03	OPTIONAL ADVANCED INSTRUMENT CLUSTER
06.01.01	04	DIAGNOSTIC PLUG
06.01.02		ELECTRIC POWER KIT
06.02		ELECTRIC, CAB
06.02.01		ELECTRIC, CAB - 4-WAY FLASHERS
06.02.02		ELECTRIC CAB - CONSOLE, RIGHT HAND, DELUXE CAB
06.02.03		ELECTRIC CAB - CONSOLE, LEFT HAND, DELUXE CAB
06.02.04		ELECTRIC CAB - MAIN HARNESS AND FUSE BLOCK, DELUXE CAB
06.02.05		ELECTRIC CAB, DELUXE CAB
06.02.06		ELECTRIC CAB - LIGHTS, DELUXE CAB
06.02.07		ELECTRIC CAB, TURN SIGNALS - DELUXE CAB

TABLE OF CONTENTS

06.02.08		ELECTRIC CAB, HARNESS AND FUSE BLOCK (EUROPE) - DELUXE CAB
06.02.09		ELECTRIC CAB, LEFT HAND CONSOLE (EUROPE) - DELUXE CAB
06.02.10		ELECTRIC CAB, RIGHT HAND CONSOLE (EUROPE) - DELUXE CAB
06.03.01		HORN & TURN SIGNAL
06.03.02		HORN - DELUXE CAB
06.03.03		4-WAY FLASHERS
06.03.04		BEACON KIT & MISCELLANEOUS PARTS, ON-ROAD
06.03.04	01	BEACON KIT, DELUXE CAB
06.03.05		REAR LIGHT ASSEMBLY - DELUXE CAB
06.03.06		FRONT AND REAR WORK LIGHTS - DELUXE CAB
06.03.07		REAR LIGHT BAR, ON-ROAD
06.03.08		FRONT HEADLAMP, ON-ROAD
06.03.09		FRONT HEADLAMP, ON ROAD
06.03.10		FRONT HEADLAMP - DELUXE CAB
06.03.11		BOOM, ON ROAD WITH TURN SIGNALS
06.03.12		FRONT HEADLAMP WITH TURN SIGNALS, ON ROAD (EUROPE)
06.03.13		REAR LIGHT BAR, BRAKE AND TURN SIGNALS (EUROPE); IF USED
06.03.14		REAR LIGHT BAR, BRAKE AND TURN SIGNALS; IF USED (EUROPE)
06.04		CHASSIS ELECTRIC
06.04.01		CHASSIS ELECTRIC, DELUXE CAB
06.04.02		CHASSIS ELECTRIC, DELUXE CAB
06.04.03		BATTERY - CABLES
06.05		BACK-UP ALARM KIT
06.06		BACKUP ALARM; IF USED, SEE BRACKET REF 11
06.07		BACK-UP ALARM - MODELS WITH PILOT CONTROL; IF USED
06.07.01		BACK UP ALARM - MODELS WITH PILOT CONTROL; IF USED
06.08		PILOT CONTROL HARNESS
06.09		ENGINE ELECTRIC
06.10		MOUNTING PLATE ELECTRICAL
06.10.01		ELECTRIC, MOUNTING PLATE - DELUXE CAB
06.11		LOADER LOCKOUT, PILOT CONTROLS (EUROPE)
06.12		HARNESS - EH AUXILIARY JUMPER
07.01.01		BUCKET HYDRAULICS, STANDARD
07.01.01	01	BUCKET HYDRAULICS, STANDARD - MODELS WITH PILOT CONTROL
07.01.02		BUCKET HYDRAULICS, HIGH FLOW
07.01.02	01	BUCKET HYDRAULICS, HIGH FLOW - MODELS WITH PILOT CONTROL
07.01.02	02	AUXILIARY HYDRAULICS, HIGH FLOW - MODELS WITH PILOT CONTROL
07.01.03		BOOM HYDRAULICS, STANDARD
07.01.03	01	BOOM HYDRAULICS, STANDARD/HIGH FLOW - MODELS WITH PILOT CONTROL
07.01.03	02	AUXILIARY HYDRAULICS, STANDARD; IF USED
07.01.04		BOOM HYDRAULICS, HIGH FLOW
07.01.05		CONNECT UNDER PRESSURE COUPLERS
07.02.01		BUCKET CYLINDER
07.02.02		BOOM CYLINDER
07.03		HYDRAULIC GEAR PUMP
07.03.01		HYDRAULIC GEAR PUMP (HIGH FLOW) L170
07.03.02		HYDRAULIC GEAR PUMP (HIGH FLOW) L160
07.03.03		HYDRAULIC GEAR PUMP, STANDARD (L160)
07.03.04		HYDRAULIC GEAR PUMP, STANDARD (L170)
07.03.05		HYDRAULIC GEAR PUMP, STANDARD - PILOT CONTROL
07.04		HYDRAULICS, PILOT CONTROL TO CONTROL VALVE
07.04	01	HYDRAULICS - HAND CONTROL RH, MODELS WITH PILOT CONTROL
07.04	02	HAND CONTROL - PILOT CONTROL, UPPER RH
07.04	03	HYDRAULICS - JOYSTICK VALVE KITS, ISO PATTERN, RIGHT HAND
07.04.01		CONTROL VALVE HYDRAULICS

TABLE OF CONTENTS

07.04.01	01	CONTROL VALVE HYDRAULICS, MODELS WITH PILOT CONTROL
07.04.02		CONTROL VALVE HYDRAULICS, HIGH FLOW
07.04.02	01	HIGH FLOW HYDRAULICS, TOGGLE SWITCH BEHIND LH HYDROSTATIC HANDLE
07.04.02	02	HIGH FLOW HYDRAULICS, ROCKER SWITCH ON IGNITION PANEL
07.04.02	03	HIGH FLOW HYDRAULICS, MODELS WITH PILOT CONTROL
07.04.02	04	HIGH FLOW HYDRAULICS, PILOT CONTROL - DELUXE CAB
07.04.02	05	HIGH FLOW HYDRAULICS - DELUXE CAB
07.04.03		CONTROL VALVE
07.04.03	01	CONTROL VALVE, MODELS WITH PILOT CONTROL
07.04.03	02	CONTROL VALVE 87357099, SEAL REPLACEMENT KITS
07.04.03	03	CONTROL VALVE, SEAL KIT
07.04.03	04	CONTROL VALVE, SPOOL END GROUP P. O.
07.04.03	05	CONTROL VALVE, SPOOL END GROUP P. O.
07.04.03	06	CONTROL VALVE - SPOOL END GROUP, DETENT
07.04.03	07	CONTROL VALVE, CHECK VALVE GROUP
07.04.03	08	CONTROL VALVE, SPOOL END GROUP P. O.
07.04.03	09	CONTROL VALVE, PLUGS AND VALVES
07.04.04		CONTROL VALVE - SEAL REPLACEMENT KITS
07.04.04	01	CONTROL VALVE - SEAL KIT
07.04.04	02	CONTROL VALVE - MAIN RELIEF VALVE
07.04.04	03	CONTROL VALVE, PLUGS AND VALVES
07.04.04	04	CONTROL VALVE, CHECK VALVE GROUP
07.04.04	05	CONTROL VALVE - SPOOL END GROUP, DETENT
07.04.04	06	CONTROL VALVE, SPOOL END GROUP P. O.
07.04.04	07	CONTROL VALVE, SPOOL END GROUP P. O.
07.04.04	08	CONTROL VALVE, SPOOL END GROUP P. O.
07.04.04	09	CONTROL VALVE - SPOOL END GROUP
07.04.04	10	CONTROL VALVE - CHECK VALVE GROUP
07.04.05		SELECTOR VALVE, HIGH FLOW
07.05		HYDRAULIC RESERVOIR & FILTER
07.05.01		HYDRAULIC RESERVOIR & FILTER, MODELS WITH PILOT CONTROL
07.06.01		OIL COOLER, STANDARD
07.06.02		OIL COOLER, HIGH-PERFORMANCE
07.07.01		HIGH FLOW KIT, L160
07.07.02		HIGH FLOW KIT, L170
07.08.01		2ND FRONT AUXILIARY KIT
07.08.02		REAR AUXILIARY HYDRAULICS
07.08.03.01		SECONDARY CONTROL VALVE, EATON
07.08.03.02		SECONDARY CONTROL VALVE, EATON/VICKERS
07.09.01		ENHANCED BOOM FLOAT KIT
07.09.02		BUCKET CIRCUIT CHECK VALVE
07.10		HYDRAULIC MOUNT PLATE SHIELD KIT
07.10.01		HYDRAULIC MOUNTING PLATE
07.10.01	01	HYDRAULICS - MOUNTING PLATE; IF USED
07.10.02		CYLINDER ASSY - MOUNTING PLATE
07.10.03		VALVE ASSY - MOUNTING PLATE
07.10.04		HYDRAULICS - MOUNTING PLATE, BOOM HYDRAULICS
07.10.05		BOOM HYDRAULICS - MOUNTING PLATE, HIGH FLOW
07.10.06		BOOM HYDRAULICS - MOUNTING PLATE, HIGH FLOW (IF USED)
07.10.07		BOOM HYDRAULICS - MOUNTING PLATE, STANDARD FLOW
07.10.08		BOOM HYDRAULICS - MOUNTING PLATE, STANDARD FLOW (IF USED)
07.11		CONTROL VALVE HYDRAULICS, MODELS WITH PILOT CONTROL, EH AUX CONTROL
07.12		CONTROL VALVE, MODELS WITH PILOT CONTROL, EH AUX CONTROL
07.13		CONTROL VALVE, MODELS WITH PILOT CONTROL, EH AUX CONTROL

TABLE OF CONTENTS

07.14		CONTROL VALVE 87653270 - SEAL REPLACEMENT KITS
07.14.01		CONTROL VALVE - SEAL KIT
07.14.02		CONTROL VALVE - MAIN RELIEF VALVE
07.14.03		CONTROL VALVE, PLUGS AND VALVES
07.14.04		CONTROL VALVE, CHECK VALVE GROUP
07.14.05		CONTROL VALVE, SPOOL END GROUP P. O.
07.14.06		CONTROL VALVE, SPOOL END GROUP P. O.
07.14.07		CONTROL VALVE, SPOOL END GROUP P. O.
07.14.08		CONTROL VALVE - CHECK VALVE GROUP
07.14.09		CONTROL VALVE, SPOOL END GROUP EHPV
07.14.10		CONTROL VALVE, SPOOL END GROUP EHPV
08.01.01		REAR HOOD
08.01.02		REAR HOOD
08.02		FENDERS
08.03		SLOW MOVING VEHICLE EMBLEM KIT
08.04		DECALS - MODEL (L160)
08.04.01		DECALS - MODEL (L170)
08.04.01	01	DECALS, THROTTLE
08.04.02		DECALS
08.04.03		DECALS
08.04.04		DECALS
08.04.05		DECALS - PILOT CONTROLS
08.04.06		DECALS - BRAZILIAN PORTUGUESE, CANADIAN FRENCH, LATIN AMERICAN SPANISH
08.04.07		DECALS - BOOM AND LOAD
08.04.08		DECALS - CONTROLS
08.04.09		DECALS - DELUXE CAB
08.04.10		DECALS - DELUXE CAB
08.04.10	01	DECALS
08.04.11		DECALS - DELUXE CAB
08.04.12		DECALS - 35TH ANNIVERSARY
08.06		ACOUSTICAL EQUIPMENT
08.06.01		ACOUSTICAL EQUIPMENT
08.06.02		ACOUSTICAL EQUIPMENT
08.06.03		ACOUSTICAL EQUIPMENT
08.06.04		ACOUSTICAL EQUIPMENT
08.06.05		ACOUSTICAL EQUIPMENT - PILOT CONTROL CONSOLE
08.06.06		ACOUSTICAL EQUIPMENT - MUFFLER WRAP (L160)
08.06.07		ACOUSTICAL EQUIPMENT - MUFFLER WRAP (L170)
08.06.08		ACOUSTICAL EQUIPMENT - REAR WINDOW PANEL
09.01		BOOM
09.01.01		BOOM - DELUXE CAB
09.02		BOOM, ON-ROAD
09.03		BOOM LOCK
09.04		MOUNTING PLATE
09.05		MOUNTING PLATE
09.06		CLEARANCE KIT
10.01.01		CAB
10.01.02		CAB - RIGHT HAND THROTTLE
10.01.03		CAB - DELUXE
10.01.04		CAB - INTERIOR TRIM, MANUAL CONTROLS, DELUXE CAB
10.01.05		CAB - INTERIOR TRIM, PILOT CONTROLS, DELUXE CAB
10.01.06		FIRE EXTINGUISHER, MIRROR KIT
10.01.07		MANUAL COMPARTMENT LOCK & FIRE EXTINGUISHER
10.02.01		CAB - WINDOWS AND HEADLINER, DELUXE CAB

TABLE OF CONTENTS

10.02.02		CAB - SIDE WINDOW, RIGHT HAND, DELUXE CAB
10.02.02	01	CAB - SIDE WINDOW, RIGHT HAND, DELUXE CAB
10.02.02	02	CAB - SIDE WINDOW, RIGHT HAND ASSY, DELUXE CAB
10.02.02	03	CAB - SIDE WINDOW, RIGHT HAND ASSY, DELUXE CAB
10.02.03		CAB - SIDE WINDOW, LEFT HAND, DELUXE CAB
10.02.03	01	CAB - SIDE WINDOW ASSY, LEFT HAND, DELUXE CAB
10.02.03	02	CAB - SIDE WINDOW, LEFT HAND ASSY, DELUXE CAB
10.02.03	03	CAB - SIDE WINDOW, LEFT HAND ASSY, DELUXE CAB
10.02.04		CAB - TOP WINDOW, DELUXE CAB
10.02.05		HEADLINER
10.02.06		HEADLINER, CAB HEATER
10.02.07		CAB - HEADLINER, DELUXE CAB
10.02.08		CAB HEADLINER, DELUXE OPEN CAB
10.03	01	CAB HEATER
10.03.01		HEATER KIT
10.03.02		CAB - HEATER SYSTEM, DELUXE CAB (L160)
10.03.03		CAB - HEATER SYSTEM, DELUXE CAB (L170)
10.04		THRESHOLD & REAR WINDOW, NORTH AMERICA
10.04.01		CAB - THRESHOLD, DELUXE CAB
10.04.02		CAB - THRESHOLD/WASHER FLUID TANK, DELUXE CAB
10.04.03		CAB - THRESHOLD, DELUXE CAB (EUROPE)
10.05.01		CAB ENCLOSURE KIT, FLOOR PLATE & WINDOWS
10.05.02		CAB ENCLOSURE KIT, DOOR ATTACHING & WIRING
10.05.03		CAB ENCLOSURE KIT, DOOR & DOOR WIPER MOTOR
10.06.01		CAB DOOR
10.06.02		CAB DOOR - WIPER
10.06.03		CAB DOOR
10.06.04		CAB - DOOR, DELUXE CAB
10.06.05		CAB - DOOR FRAME, DELUXE CAB
10.06.06		CAB - DOOR KIT, DELUXE CAB
10.06.07		CAB - DEMOLITION DOOR KIT, DELUXE CAB
10.06.08		CAB - DEMOLITION DOOR AND FRAME, DELUXE CAB
10.06.09		CAB - DEMOLITION DOOR, DELUXE CAB
10.07		CAB DOOR KIT
10.07.02		DOOR - SWITCH ASSY, IF USED
10.08		DEMOLITION DOOR KIT
10.08.01		DEMOLITION DOOR KIT, L/DOOR
10.09		THROTTLE CONTROL
10.09.01		THROTTLE - CONTROLS, RIGHT HAND
10.09.02		THROTTLE CONTROL - DELUXE CAB
10.10		FOREARM REST KIT
10.10.01		ARMREST - MODELS WITH PILOT CONTROL
10.10.02		ARMREST - DELUXE CAB
10.11.01		SEAT, STANDARD
10.11.01	01	SEAT ASSY, STANDARD
10.11.02		SEAT, SUSPENSION
10.11.03		SEATBELTS, OPTIONAL
10.11.03	02	SEAT BELT, 3 IN. COMBINATION - IF USED
10.11.03	03	SEAT BELT, LAP BELT
10.11.04		ARM PAD & ARMREST KIT, STANDARD SEAT
10.12.01		BOOM & BUCKET FOOT CONTROL, HYDROSTATIC LEVERS
10.12.02		BOOM & BUCKET FOOT CONTROL, KICK PANEL, LH
10.12.02	02	BOOM & BUCKET FOOT CONTROL, KICK PANEL, LH (IF USED)
10.12.03		BOOM & BUCKET FOOT CONTROL, KICK PANEL, RH
10.15.01		BOOM & BUCKET FOOT CONTROL, PEDALS

TABLE OF CONTENTS

10.15.02	BOOM & BUCKET HAND CONTROL, PEDALS
10.16.01	BOOM & BUCKET HAND CONTROL, HYDROSTATIC LEVERS
10.16.02	BOOM & BUCKET HAND CONTROL, KICK PANEL, LH
10.16.03	BOOM & BUCKET HAND CONTROL, KICK PANEL, RH
10.16.04	BOOM & BUCKET HAND CONTROL, TUNNEL COMPONENTS
10.16.05	PEDALS - MODELS WITH PILOT CONTROL
10.17	TUNNEL COMPONENTS - MODELS WITH PILOT CONTROL
10.19	BOOM & BUCKET HAND CONTROL KIT
10.20.01	MULTI-FUNCTION HANDLE, LH
10.21	HAND CONTROL - TUNNEL COMPONENTS, PILOT CONTROL
10.22	HANDLE, CONTROL, LEFT HAND
10.22.01	HANDLE, CONTROL, RIGHT HAND
10.22.02	HANDLE, LEFT HAND
10.22.03	HANDLES, CONTROL - MODELS WITH PILOT CONTROL
11.01	WHEELS & TIRES
11.01.01	WHEELS AND TIRES
12.01.01	CHASSIS
12.02	COUNTERWEIGHT KIT
12.02.01	COUNTERWEIGHT
18.01	CAB JACK KIT
18.02	TOOLS, THREADED INSERT
19.01	BUCKETS & DIRT TOOTH KIT
19.01.01	BUCKET, CUTTING EDGE KIT
19.02	UTILITY FORK & UNIVERSAL MOUNTING PLATE
19.03	TOOTH BARS
19.04	PALLET FORK & 2 PIECE MOUNTING ASSEMBLY
19.05	PALLET FORK & 1 PIECE MOUNTING ASSEMBLY

GENERAL INFORMATION

PROPRIETARY NOTICE

The contents of this manual are proprietary data of this company. Reproduction or use of any part for other than the operation and maintenance of our equipment is permissible only if expressly authorized in writing.

Additional copies may be obtained from your dealer. Address requests for copies to your Dealer and refer to the publication part number appearing on the bottom of the rear catalog cover or on the title page.

COMPANY POLICY

Company policy, which is one of continuous improvement, reserves the right to change prices and to make changes in design and specification at any time without notice and without obligation to modify units previously built.

All data given in this book is subject to production variations. Dimensions and weights are approximate only and the illustrations do not necessarily show machines in standard condition. For exact information about any particular machine please consult your dealer.

PARTS AND ACCESSORIES

Genuine parts and accessories have been specifically designed for these machines.

We would like to point out that “non-genuine” parts and accessories have NOT been examined and released by the Company. The installation and or use of such products could have negative effects upon the design characteristics of your machine and thereby affect its safety. The company is not liable for any damage caused by the use of “non-genuine” parts and accessories.

IMPROVEMENTS

We are continually striving to improve our products. We reserve the right to make improvements or changes when it becomes practical and possible to do so, without incurring any obligation to make changes or additions to the equipment sold previously.

MODEL CODES

The range of machines listed may not be available in all countries or markets therefore, for the latest information consult your local dealer.

OWNER ASSISTANCE

We want you to be completely satisfied with your investment. Normally any problems with your equipment will be handled by your dealer's Service Department; however, misunderstandings can occur. If your problem has not been handled to your satisfaction, we suggest the following:

1. Contact the owner or General Manager of the dealership, explain the problem, and request assistance. When additional assistance is needed, your dealer has direct access to our office.
2. Provide your dealer with:
 - Your Name, Address, and Telephone number
 - Machine Model and Serial Number
 - Dealership Name and Address
 - Machine purchase date and amount of use
 - Nature of problem

Be aware that your problem will likely be resolved in the dealership using the dealer's facilities, equipment, and personnel. So it is important that your initial contact be with the dealer.

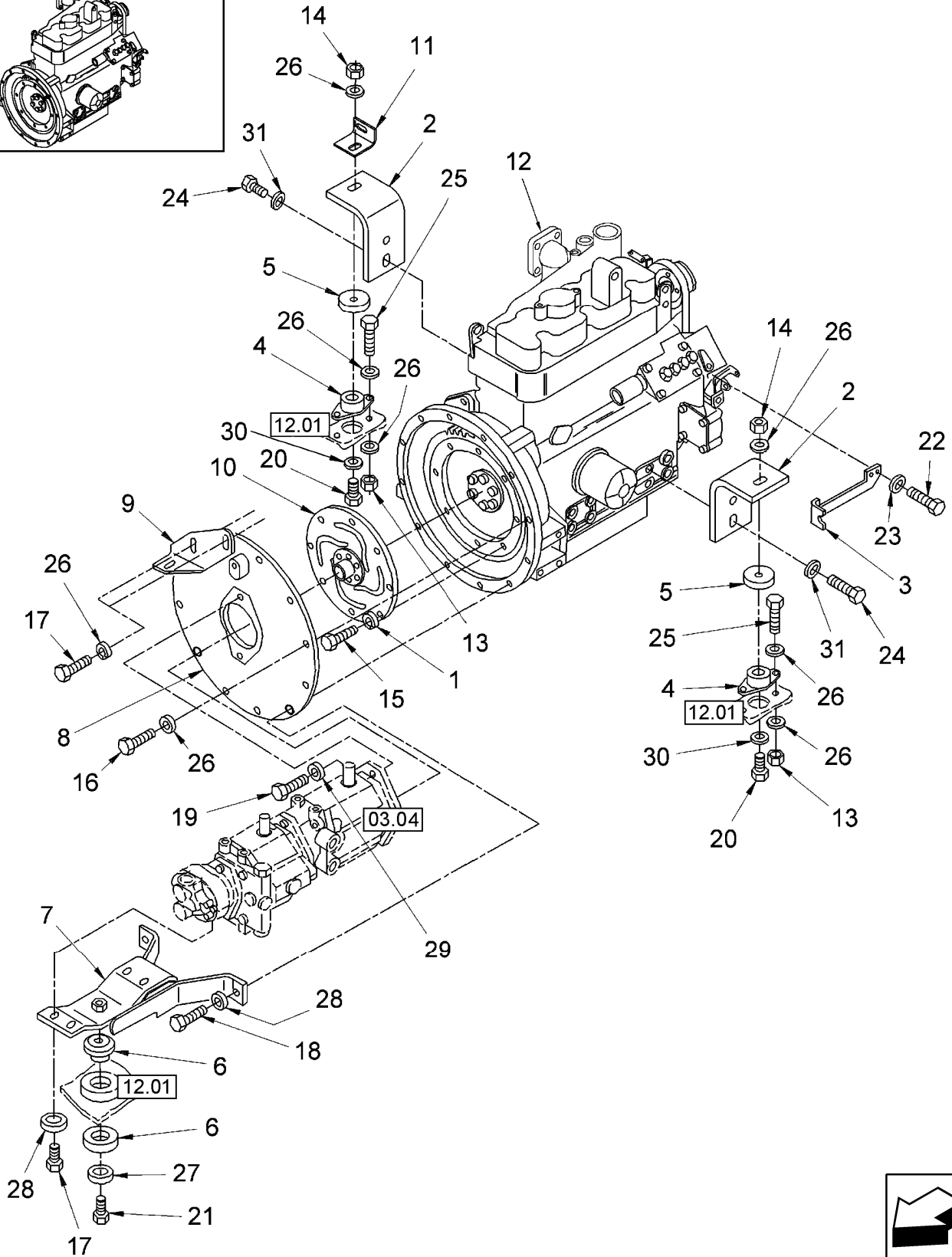
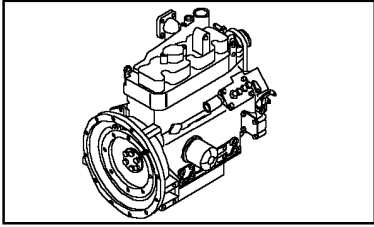
SPARE PARTS

To maintain operating efficiency, use original spare parts.

When ordering parts, give the following information:

- Machine Model
- Machine and Engine Serial Numbers
- Part Number from the Parts Catalog

ENGINE, L160
MOTOR, L160
MOTEUR, L160
MOTOR, L160

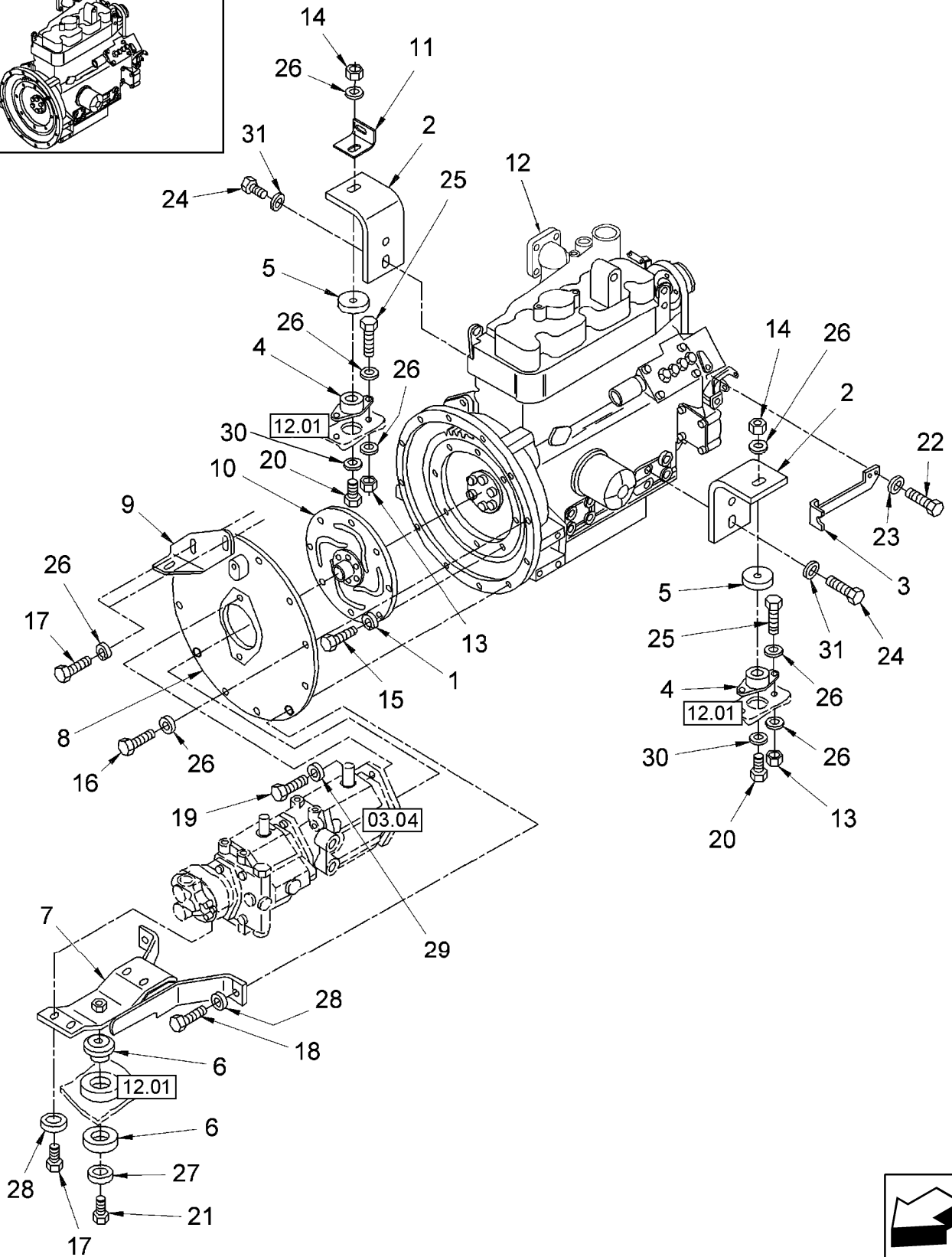
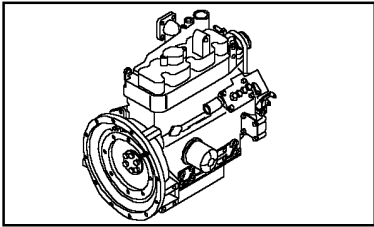


MOTORE, L160
 MOTOR, L160
 MOTOR, L160
 MOTOR, L160

R	N	P.N.	MOD	Q	Description Descrizione	Denominacion Beskrivelse	Description Denominação	Bezeichnung Beschrijving	L.C.
1		80681		8	WASHER, LOCK, 5/16" ROSETTA DI SICUREZZA	ARANDELA DE FRENO LAASESKIVE	RONDELLE FREIN ANILHA DE FIXACAO	SICHERUNGSSCHEIBE VEERRING	132R
2		86545777		2	ANGLE CANTONALE	PIEZ ANGULAR VINKELSTYKKE	CORNIERE ESQUADRO	WINKEL HOEKSTUK	057C
3		86501115		1	MOUNT, ENGINE SUPPORTO MOTORE	SOPORTE MOTOR MOTOROPHÆNG	SUPPORT MOTEUR SUPORTE DE MOTOR	MOTORAUFHÄNGUNG MOTORSTEUN	299S
4		9616607		2	INSULATOR, Mount ISOLANTE	AISLADOR ISOLATOR	ISOLANT ISOLADOR	ISOLATOR ISOLATIE,ALGEMEEN	085I
5		9844141		2	CUP SCODELLINO	TAZA LEJESKAAL	CUVE TACA	TASSE KOM	060S
6		9844553		1	INSULATOR, Mount ISOLANTE	AISLADOR ISOLATOR	ISOLANT ISOLADOR	ISOLATOR ISOLATIE,ALGEMEEN	085I
7		86567313		1	SUPPORT, Pump SUPPORTO	SOPORTE BESLAG	SUPPORT SUPORTE	HALTERUNG, LAGERBOI STEUN	300S
8		87014569		1	COVER, Housing COPERCHIO	TAPADERA DÆKSEL	COUVERCLE COBERTA	ABDECKUNG DEKSEL	265C
9		86567198		1	BRACKET STAFFA	PIEZA DE SOPORTE BESLAG	PATTE FIXATION BRACADEIRA	KONSOLE STEUNBEUGEL	225S
10		86521866		1	DISC, Flexplate, Incl. (8) FH 5/16" x 5/8" Rivets	DISCO NAV	DISQUE DISCO	SCHEIBE SCHIJF	060D
11		86597846		1	ANGLE, 3/16" Thick CANTONALE	PIEZ ANGULAR VINKELSTYKKE	CORNIERE ESQUADRO	WINKEL HOEKSTUK	057C
11		86606008		1	ANGLE, 1/4" Thick CANTONALE	PIEZ ANGULAR VINKELSTYKKE	CORNIERE ESQUADRO	WINKEL HOEKSTUK	057C
12		87028481		1	ENGINE, L160 MOTORE	MOTOR MOTOR	MOTEUR MOTOR	MOTOR MOTOR	130M
12A		SBA133697		1	ENGINE, L160, Long Block Service Engine; Engine Does Not Include Starter, Flywheel Housing, Cooling Fan, Fan Pulley, Fan Belt, Fan Holder, Alternator or Mounting Parts, Exhaust Manifold or Gasket	MOTOR MOTOR	MOTEUR MOTOR	MOTOR MOTOR	130M
13		9628503		4	NUT, 3/8"-16, G5 DADO	TUERCA MOETRIK	ECROU PORCA	MUTTER MOER	010D
14		88871		2	NUT, LOCK, 1/2"-13, GC CONTRODADO	CONTRA TUERCA NUT, LOCK	CONTRE-ECROU CONTRA PORCA	SICHERUNGSMUTTER NUT, LOCK	P263
15		87872		8	BOLT, Hex, 5/16"-18 x 3/4", G5, Full Thd	TORNILLO	BOULON	SCHRAUBE	140B
16		88206		10	BOLT, Hex, 3/8"-16 x 1", G5, Full Thd	BULLONE TORNILLO	PARAFUSO	BOUT SCHRAUBE	140B
17		88011		4	BOLT, Hex, 3/8"-16 x 1 1/4", G5, Full Thd	BULLONE TORNILLO	PARAFUSO	BOUT SCHRAUBE	140B
18		280589		2	BOLT, Hex, 3/8"-16 x 1 3/4", G8	BULLONE TORNILLO	PARAFUSO	BOUT SCHRAUBE	140B

L160

ENGINE, L160
MOTOR, L160
MOTEUR, L160
MOTOR, L160

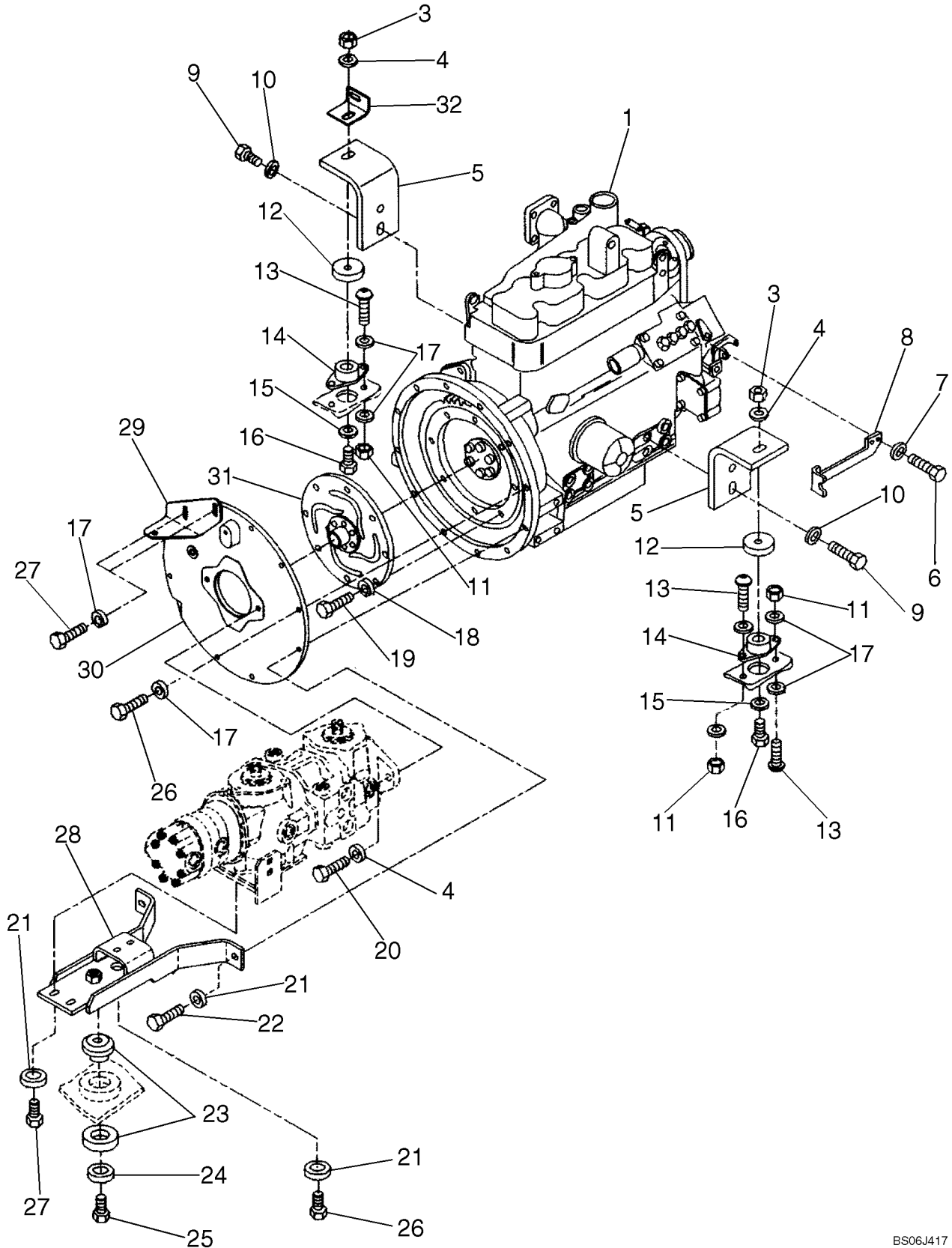


MOTORE, L160
 MOTOR, L160
 MOTOR, L160
 MOTOR, L160

R	N	P.N.	MOD	Q	Description Descrizione	Denominacion Beskrivelse	Description Denominação	Bezeichnung Beschrijving	L.C.
19		87689		2	BOLT, Hex, 1/2"-13 x 1 1/2", G5, Full Thd BULLONE	TORNILLO SKRUE	BOULON PARAFUSO	SCHRAUBE BOUT	140B
20		87339		2	BOLT, Hex, 1/2"-13 x 3", G5 BULLONE	TORNILLO SKRUE	BOULON PARAFUSO	SCHRAUBE BOUT	140B
21		16445		1	BOLT, Hex, 5/8"-11 x 3 3/4", G5 BULLONE	TORNILLO SKRUE	BOULON PARAFUSO	SCHRAUBE BOUT	140B
22		86508568		2	SCREW, Hex, M6 x 16, 8.8 VITE	TORNILLO SKRUE	VIS PARAFUSO	SCHRAUBE SCHROEF	040V
23		322357		2	WASHER, SPRING, Belleville, M6 MOLLA BELLEVILLE	ARANDELA ABANICO BELLEVILLEVASKER	RONDELLE BELLEVILLE ARRUELA MOLA	FEDERSCHEIBE WASHER, SPRING	P692
24		9516470		4	BOLT, Hex, M14 x 1.5 x 30, 8.8, Full Thd BULLONE	TORNILLO SKRUE	BOULON PARAFUSO	SCHRAUBE BOUT	140B
25		87499		4	SCREW, Hex Soc But Hd, 3/8"-16 x 7/8" VITE	TORNILLO SKRUE	VIS PARAFUSO	SCHRAUBE SCHROEF	040V
26		140045		20	WASHER, SPRING, Belleville, M10 MOLLA BELLEVILLE	ARANDELA ABANICO BELLEVILLEVASKER	RONDELLE BELLEVILLE ARRUELA MOLA	FEDERSCHEIBE WASHER, SPRING	P692
27		719922		1	WASHER ROSETTA PIANA	ARANDELA FLADSKIVE	RONDELLE ANILHA	UNTERLEGSCHIEBE SLUITRING	131R
28		285072		6	WASHER, Hardened, 3/8" ROSETTA PIANA	ARANDELA FLADSKIVE	RONDELLE ANILHA	UNTERLEGSCHIEBE SLUITRING	131R
29		65319		2	WASHER, Hardened, 1/2" ROSETTA PIANA	ARANDELA FLADSKIVE	RONDELLE ANILHA	UNTERLEGSCHIEBE SLUITRING	131R
30		694478		2	WASHER, Hardened, 1/2" ROSETTA PIANA	ARANDELA FLADSKIVE	RONDELLE ANILHA	UNTERLEGSCHIEBE SLUITRING	131R
31		143479		4	WASHER, Hardened, 1/2" ROSETTA PIANA	ARANDELA FLADSKIVE	RONDELLE ANILHA	UNTERLEGSCHIEBE SLUITRING	131R

L160

ENGINE, L160 - L160 BSN N7M448360, L160 EU BSN N7M462079
MOTOR, L160 - L160 BSN N7M448360, L160 EU BSN N7M462079
MOTEUR, L160 - L160 BSN N7M448360, L160 EU BSN N7M462079
MOTOR, L160 - L160 BSN N7M448360, L160 EU BSN N7M462079

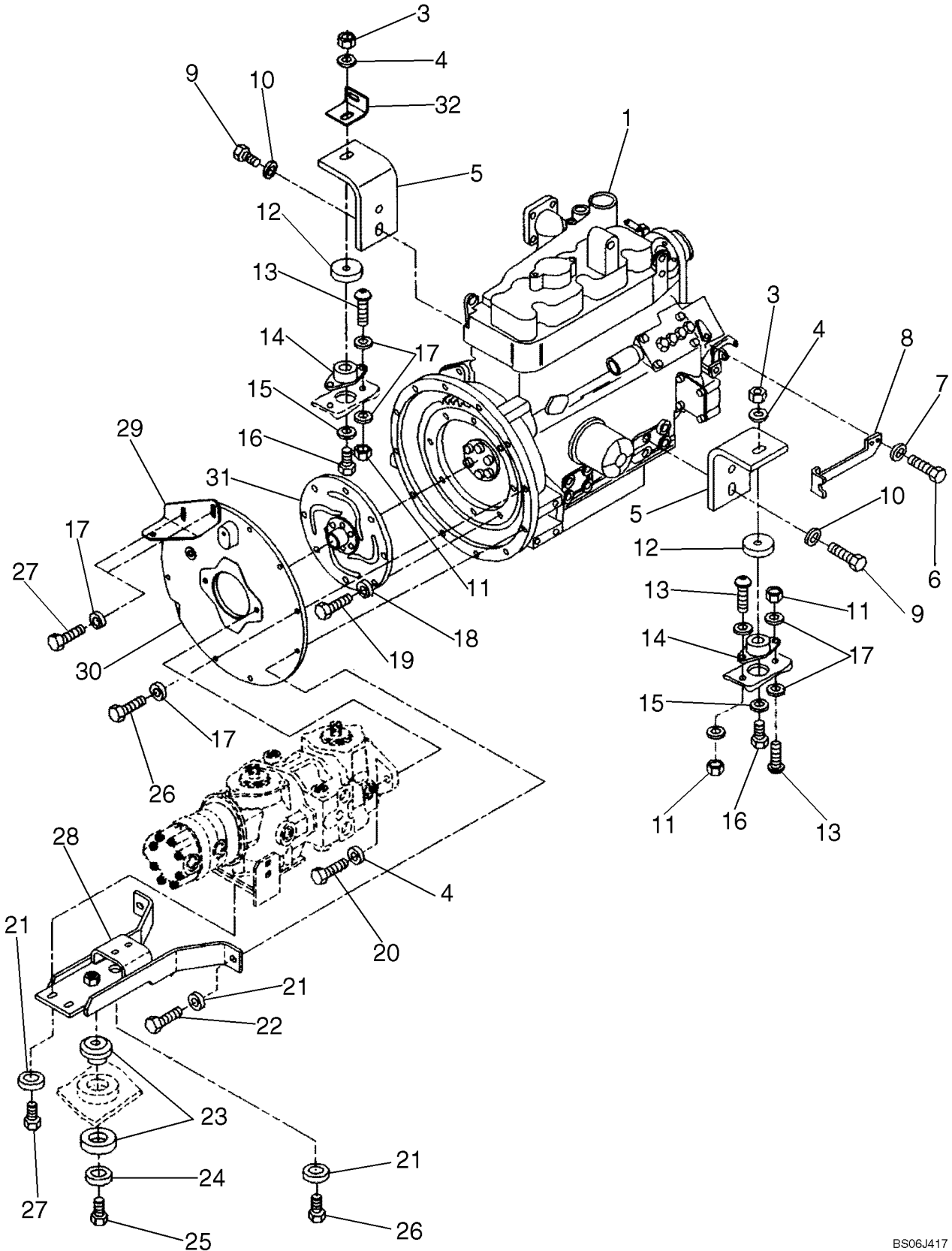


MOTORE, L160 - L160 BSN N7M448360, L160 EU BSN N7M462079
 MOTOR, L160 - L160 BSN N7M448360, L160 EU BSN N7M462079
 MOTOR, L160 - L160 BSN N7M448360, L160 EU BSN N7M462079
 MOTOR, L160 - L160 BSN N7M448360, L160 EU BSN N7M462079

R	N	P.N.	MOD	Q	Description Descrizione	Denominacion Beskrivelse	Description Denominação	Bezeichnung Beschrijving	L.C.
L160 BSN N7M448360, L160 EU BSN N7M462079									
1		87028481		1	ENGINE, L160 MOTORE	MOTOR MOTOR	MOTEUR MOTOR	MOTOR MOTOR	130M
2		SBA133697		1	ENGINE, Long Block Service Engine; Does Not Include Starter, Flywheel Housing, Cooling Fan, Fan Pulley, Fan Belt, Fan Holder, Alternator Or Mounting Parts, Exhaust Manifold Or Gasket	MOTOR	MOTEUR	MOTOR	130M
3		88871		2	NUT, LOCK, 1/2"-13, GC CONTRODADO	CONTRA TUERCA NUT, LOCK	CONTRE-ECROU CONTRA PORCA	SICHERUNGSMUTTER NUT, LOCK	P263
4		65319		4	WASHER ROSETTA PIANA	ARANDELA FLADSKIVE	RONDELLE ANILHA	UNTERLEGSCHEIBE SLUITRING	131R
5		86545777		2	ANGLE CANTONALE	PIEZ ANGULAR VINKELSTYKKE	CORNIERE ESQUADRO	WINKEL HOEKSTUK	057C
6		86508568		2	SCREW, Hex, M6 x 16, 8.8 VITE	TORNILLO SKRUE	VIS PARAFUSO	SCHRAUBE SCHROEF	040V
7		322357		2	WASHER, SPRING, Belleville, M6	ARANDELA ABANICO	RONDELLE BELLEVILLE	FEDERSCHEIBE	P692
8		86501115		1	MOUNT, ENGINE SUPPORTO MOTORE	BELLEVILLEVASKER SOPORTE MOTOR MOTOROPHÆNG	ARRUELA MOLA SUPPORT MOTEUR SUPORTE DE MOTOR	WASHER, SPRING MOTORAUFHÄNGUNG MOTORSTEUN	299S
9		9516470		4	BOLT, Hex, M14 x 1.5 x 30, 8.8, Full Thd	TORNILLO	BOULON	SCHRAUBE	140B
10		143479		4	BULLONE WASHER ROSETTA PIANA	SKRUE ARANDELA FLADSKIVE	PARAFUSO RONDELLE ANILHA	BOUT UNTERLEGSCHEIBE SLUITRING	131R
11		9628503		4	NUT, 3/8"-16, G5 DADO	TUERCA MOETRIK	ECROU PORCA	MUTTER MOER	010D
12		9844141		2	CUP SCODELLINO	TAZA LEJESKAAL	CUVE TACA	TASSE KOM	060S
13		87499		4	SCREW, Hex Soc But Hd, 3/8"-16 x 7/8"	TORNILLO	VIS	SCHRAUBE	040V
14		9616607		2	VITE INSULATOR ISOLANTE	SKRUE AISLADOR ISOLATOR	PARAFUSO ISOLANT ISOLADOR	SCHROEF ISOLATOR ISOLATIE,ALGEMEEN	085I
15		694478		2	WASHER ROSETTA PIANA	ARANDELA FLADSKIVE	RONDELLE ANILHA	UNTERLEGSCHEIBE SLUITRING	131R
16		87339		2	BOLT, Hex, 1/2"-13 x 3", G5 BULLONE	TORNILLO SKRUE	BOULON PARAFUSO	SCHRAUBE BOUT	140B
17		140045		18	WASHER, SPRING, Belleville, M10	ARANDELA ABANICO	RONDELLE BELLEVILLE	FEDERSCHEIBE	P692
18		322358		8	MOLLA BELLEVILLE WASHER, SPRING, Belleville, M8	BELLEVILLEVASKER ARANDELA ABANICO	ARRUELA MOLA RONDELLE BELLEVILLE	WASHER, SPRING FEDERSCHEIBE	P692
19		87872		8	MOLLA BELLEVILLE BOLT, Hex, 5/16"-18 x 3/4", G5, Full Thd BULLONE	BELLEVILLEVASKER TORNILLO SKRUE	ARRUELA MOLA BOULON PARAFUSO	WASHER, SPRING SCHRAUBE BOUT	140B

L160

ENGINE, L160 - L160 BSN N7M448360, L160 EU BSN N7M462079
MOTOR, L160 - L160 BSN N7M448360, L160 EU BSN N7M462079
MOTEUR, L160 - L160 BSN N7M448360, L160 EU BSN N7M462079
MOTOR, L160 - L160 BSN N7M448360, L160 EU BSN N7M462079

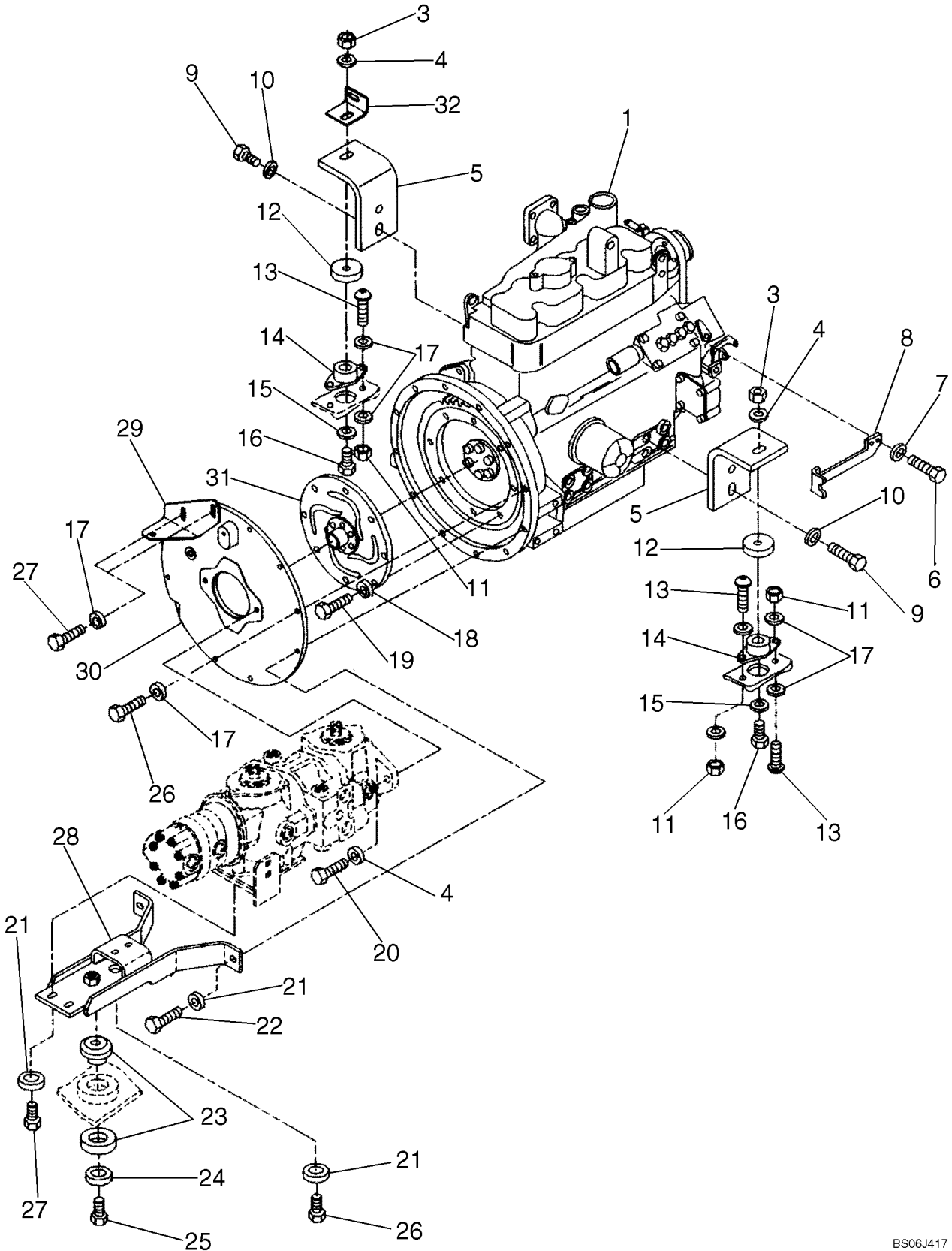


MOTORE, L160 - L160 BSN N7M448360, L160 EU BSN N7M462079
 MOTOR, L160 - L160 BSN N7M448360, L160 EU BSN N7M462079
 MOTOR, L160 - L160 BSN N7M448360, L160 EU BSN N7M462079
 MOTOR, L160 - L160 BSN N7M448360, L160 EU BSN N7M462079

R	N	P.N.	MOD	Q	Description Descrizione	Denominacion Beskrivelse	Description Denominação	Bezeichnung Beschrijving	L.C.
20		87689		2	BOLT, Hex, 1/2"-13 x 1 1/2", G5, Full Thd BULLONE	TORNILLO SKRUE	BOULON PARAFUSO	SCHRAUBE BOUT	140B
21		285072		6	WASHER ROSETTA PIANA	ARANDELA FLADSKIVE	RONDELLE ANILHA	UNTERLEGSCHIEBE SLUITRING	131R
22		280589		2	BOLT, Hex, 3/8"-16 x 1 3/4", G8 BULLONE	TORNILLO SKRUE	BOULON PARAFUSO	SCHRAUBE BOUT	140B
23		9844553		1	INSULATOR ISOLANTE	AISLADOR ISOLATOR	ISOLANT ISOLADOR	ISOLATOR ISOLATIE,ALGEMEEN	085I
24		719922		1	WASHER ROSETTA PIANA	ARANDELA FLADSKIVE	RONDELLE ANILHA	UNTERLEGSCHIEBE SLUITRING	131R
25		16445		1	BOLT, Hex, 5/8"-11 x 3 3/4", G5 BULLONE	TORNILLO SKRUE	BOULON PARAFUSO	SCHRAUBE BOUT	140B
26		88206		10	BOLT, Hex, 3/8"-16 x 1", G5, Full Thd BULLONE	TORNILLO SKRUE	BOULON PARAFUSO	SCHRAUBE BOUT	140B
27		88011		4	BOLT, Hex, 3/8"-16 x 1 1/4", G5, Full Thd BULLONE	TORNILLO SKRUE	BOULON PARAFUSO	SCHRAUBE BOUT	140B
28		86567313		1	SUPPORT SUPPORTO	SOPORTE BESLAG	SUPPORT SUPORTE	HALTERUNG, LAGERBOI STEUN	300S
29		86567198		1	BRACKET STAFFA	PIEZA DE SOPORTE BESLAG	PATTE FIXATION BRACADEIRA	KONSOLE STEUNBEUGEL	225S
30		87014569		1	COVER COPERCHIO	TAPADERA DÆKSEL	COUVERCLE COBERTA	ABDECKUNG DEKSEL	265C
31		86521866		1	DISC DISCO	DISCO NAV	DISQUE DISCO	SCHEIBE SCHIJF	060D
32		86606008		1	ANGLE CANTONALE	PIEZ ANGULAR VINKELSTYKKE	CORNIERE ESQUADRO	WINKEL HOEKSTUK	057C

L160

ENGINE, L160 - L160 ASN N7M448360, L160 EU ASN N7M462079
MOTOR, L160 - L160 ASN N7M448360, L160 EU ASN N7M462079
MOTEUR, L160 - L160 ASN N7M448360, L160 EU ASN N7M462079
MOTOR, L160 - L160 ASN N7M448360, L160 EU ASN N7M462079



BUY NOW

**Then Instant Download
the Complete Manual
Thank you very much!**