



PARTS CATALOG

SKID STEER COMPACT TRACK LOADER

L185

C185



BD07E059

TABLE OF CONTENTS

- General Information
- Section 2 – Engine
- Section 3 – Fuel System
- Section 4 – Electrical System
- Section 6 – Power train
- Section 7 – Brakes
- Section 8 – Hydraulics
- Section 9 – Chassis/Attachments
- Index

GENERAL INFORMATION

PROPRIETARY NOTICE

The contents of this manual are proprietary data of this company. Reproduction or use of any part for other than the operation and maintenance of our equipment is permissible only if expressly authorized in writing.

Additional copies may be obtained from your dealer. Address requests for copies to your Dealer and refer to the publication part number appearing on the bottom of the rear catalog cover or on the title page.

COMPANY POLICY

Company policy, which is one of continuous improvement, reserves the right to change prices and to make changes in design and specification at any time without notice and without obligation to modify units previously built.

All data given in this book is subject to production variations. Dimensions and weights are approximate only and the illustrations do not necessarily show machines in standard condition. For exact information about any particular machine please consult your dealer.

PARTS AND ACCESSORIES

Genuine parts and accessories have been specifically designed for these machines.

We would like to point out that “non-genuine” parts and accessories have NOT been examined and released by the Company. The installation and or use of such products could have negative effects upon the design characteristics of your machine and thereby affect its safety. The company is not liable for any damage caused by the use of “non-genuine” parts and accessories.

IMPROVEMENTS

We are continually striving to improve our products. We reserve the right to make improvements or changes when it becomes practical and possible to do so, without incurring any obligation to make changes or additions to the equipment sold previously.

MODEL CODES

The range of machines listed may not be available in all countries or markets therefore, for the latest information consult your local dealer.

OWNER ASSISTANCE

We want you to be completely satisfied with your investment. Normally any problems with your equipment will be handled by your dealer's Service Department; however, misunderstandings can occur. If your problem has not been handled to your satisfaction, we suggest the following:

1. Contact the owner or General Manager of the dealership, explain the problem, and request assistance. When additional assistance is needed, your dealer has direct access to our office.
2. Provide your dealer with:
 - Your Name, Address, and Telephone number
 - Machine Model and Serial Number
 - Dealership Name and Address
 - Machine purchase date and amount of use
 - Nature of problem

Be aware that your problem will likely be resolved in the dealership using the dealer's facilities, equipment, and personnel. So it is important that your initial contact be with the dealer.

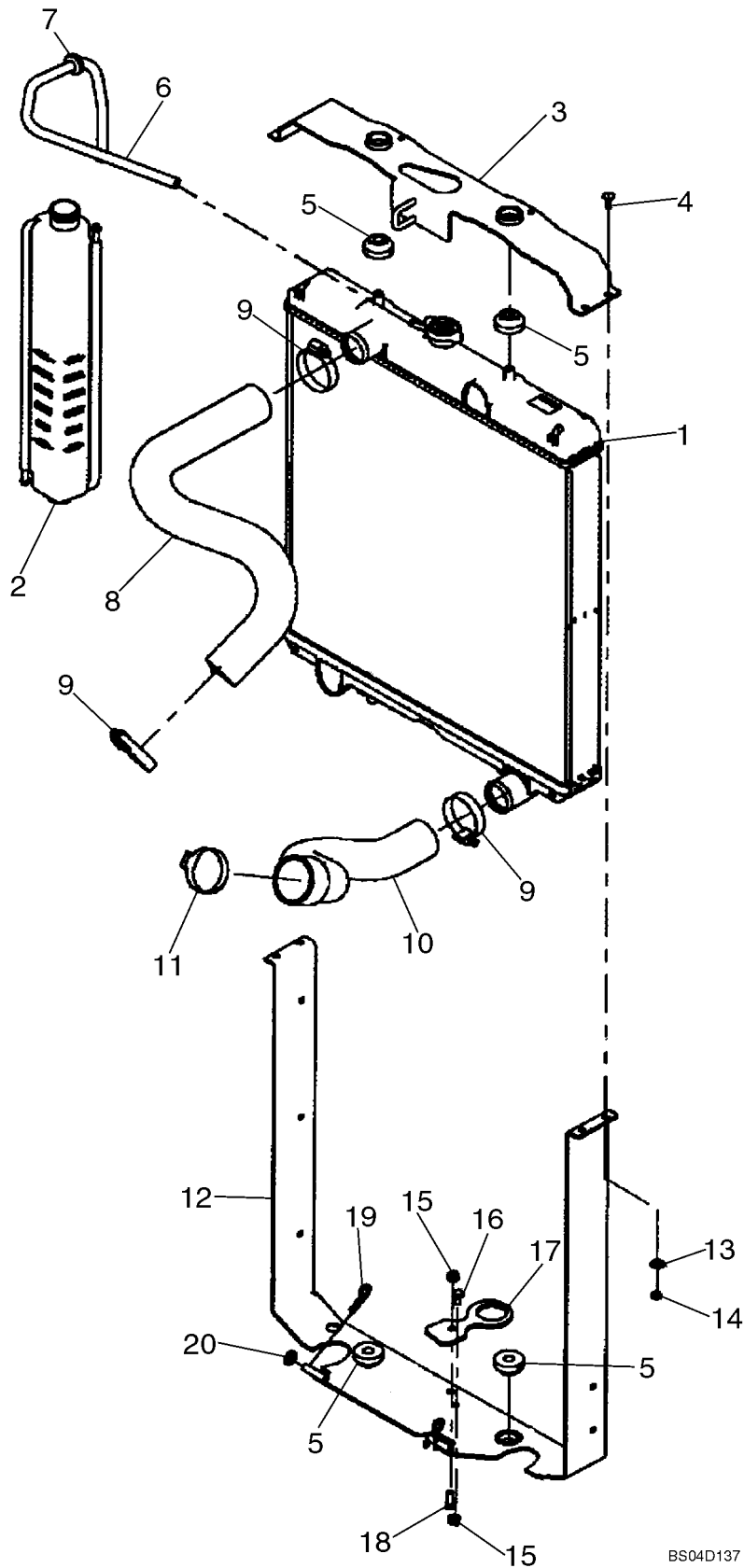
SPARE PARTS

To maintain operating efficiency, use original spare parts.

When ordering parts, give the following information:

- Machine Model
- Machine and Engine Serial Numbers
- Part Number from the Parts Catalog

RADIATOR - COOLANT RECOVERY SYSTEM; BSN L185 NA 1 SPD N8M465249, 2 SPD N8M465247, EU N8M467462; C185 N8M472597
RADIADOR - SISTEMA DE RECUPERACION DEL REFRIGERANTE; BSN L185 NA 1 SPD N8M465249, 2 SPD N8M465247, EU N8M467462; C185 N8M472597
RADIATEUR - CIRCUIT DE RECUPERATION DU LIQUIDE DE REFRIGERANT; BSN L185 NA 1 SPD N8M465249, 2 SPD N8M465247, EU N8M467462; C185 N8M472597
KÜHLER - KÜHLMITTEL-RÜCKGEWINNUNGSSYSTEM; BSN L185 NA 1 SPD N8M465249, 2 SPD N8M465247, EU N8M467462; C185 N8M472597



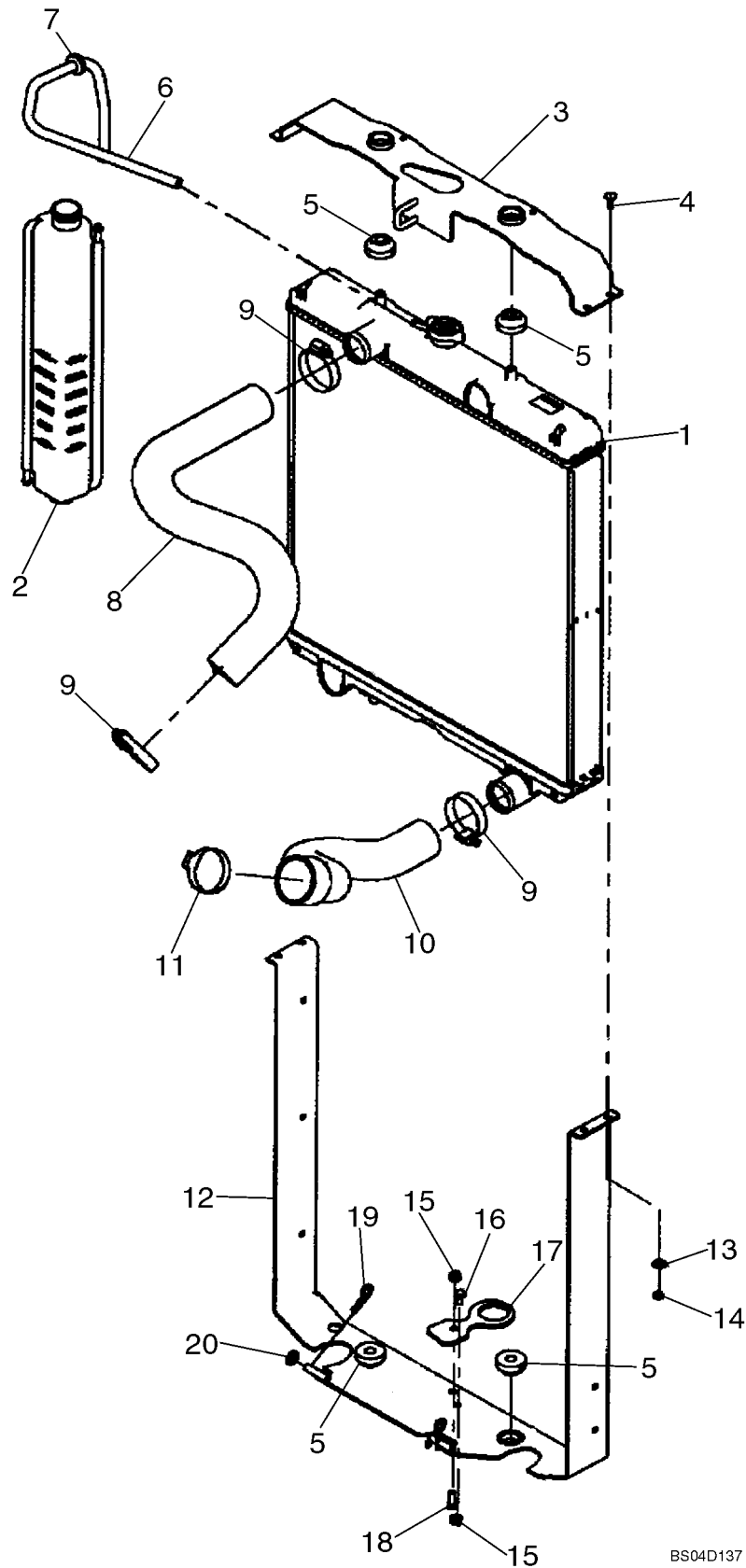
RADIATORE - SISTEMA DI RECUPERO DEL REFRIGERANTE; BSN L185 NA 1 SPD N8M465249, 2 SPD N8M465247, EU N8M467462; C185 N8M472597
 KØLER - KØLEMIDDELGENINDVINDINGSSYSTEM; BSN L185 NA 1 SPD N8M465249, 2 SPD N8M465247, EU N8M467462; C185 N8M472597
 RADIADOR - SISTEMA DE RECUPERAÇÃO DO FLUIDO DE REFRIGERAÇÃO; BSN L185 NA 1 SPD N8M465249, 2 SPD N8M465247, EU N8M467462; C185 N8M472597
 RADIATOR - KOELVLOEISTOFOPVANGSYSTEEM; BSN L185 NA 1 SPD N8M465249, 2 SPD N8M465247, EU N8M467462; C185 N8M472597

R	N	P.N.	MOD	Q	Description Descrizione	Denominacion Beskrivelse	Description Denominação	Bezeichnung Beschrijving	L.C.
1		87013856		1	RADIATOR, Incl. 1A, 1B RADIATORE	RADIADOR KØLER	RADIATEUR ARREFECEDOR	KÜHLER RADIATOR/KOELER	025R
1A		87032485		1	DRAINCOCK/TAP, SUPPLY, Drain; Not Illustrated RUBINETTO	GRIFO HANE	ROBINET TORNEIRA	ABLASSHAHN KRAAN	150R
1B		87032486		1	CAP, RADIATOR, Not Illustrated TAPPO RADIATORE	TAPON RADIADOR KOELERDAEKSEL	BOUCHON RADIATEUR TAMPAO	KÜHLERVERSCHLUSSDI RADIATOR/DOP	039T
2		87020980		1	RESERVOIR, COOLANT EXPNSN, Incl. Cap 257884A1 SERBATOIO A DEPRESS	DEPOSITO DE VACIO VAKUUMTANK	RESERVOIR DEPRESSE DEPOSITO DE VACUO	KÜHLMITTELAUSGLEICH- VACUUMTANK	117S
		257884A1		1	PLUG TAPPO	TAPÓN PROP	BOUCHON BUJAO	STOPFEN PLUG	6400
3		87459340		1	FRAME, Upper Radiator; Replaces 87024337; Component Parts Not Serviced Separately INTELAIATURA	ESTRUCTURA CHASSIS	CHASSIS CHASSIS	RAHMENGESTELL KADER	072I
4		280638		4	BOLT, CARRIAGE, Short NK, 1/4"-20 x 3/4", G5, Full Thd BULLONE TESTA TONDA	PERNO, CABEZA ROND/ BOLT, CARRIAGE	BOULON TETE BOMBEE PARAFUSO	FLACHRUNDSCHRAUBE BOLT, CARRIAGE	P123
5		87017045		4	CUSHION CUSCINO	COJIN PUDE	COUSSIN COXIM	KISSEN CUSHION	2460
6		87044030		1	HOSE, Coolant Recovery MANICOTTO FLESSIBILE	MANGA SLANGE	FLEXIBLE TUBO FLEXIVEL	SCHLAUCH FLEXIBELE BUIS	030M
7		86502507		1	GROMMET, 5/8 ID ANELLO PASSACAIVO	PASACABLES RING	PASSE-FIL CASQUILHO ISOLADOR	TÜLLE KABELDOORGANG	131A
8		87038470		1	HOSE, LARGE, Upper Radiator Manguito	Durite	SCHLAUCH, GROSS	Z336	
					TUBO FLESSIBILE, GRDE SLANGE, STOR	MANGOTE	SCHLAUCH, GROSS	Z336	
9		86050202		3	CLAMP, HOSE, #32, 1.56/2.50 Type F Worm ABRAZADERA MANGUEI	BRIDE, FLEXIBLE	SCHLAUCHSCHELLE	P729	
					MORSETTO SLANGKLEMME	BRACADEIRA MANGUEI	SLANGKLEM		
10		87038471		1	HOSE, LARGE, Lower Radiator Manguito	Durite	SCHLAUCH, GROSS	Z336	
					TUBO FLESSIBILE, GRDE SLANGE, STOR	MANGOTE	SCHLAUCH, GROSS	Z336	
11		45014		1	CLAMP, HOSE, #40, 2.06/3.00 Type F Worm ABRAZADERA MANGUEI	BRIDE, FLEXIBLE	SCHLAUCHSCHELLE	P729	
					MORSETTO SLANGKLEMME	BRACADEIRA MANGUEI	SLANGKLEM		
12		87393455		1	FRAME, Lower Radiator; Replaces 87038962, 87393455 BASTIDOR	CHASSIS	GESTELL	077T	
					TELAIO RAMME	ESTRUTURA	RAAM		
13		322357		4	WASHER, SPRING, Belleville, M6 ARANDELA ABANICO	RONDELLE BELLEVILLE	FEDERSCHEIBE	P692	
					MOLLA BELLEVILLE BELLEVILLEVASKER	ARRUELA MOLA	WASHER, SPRING		
14		7770		4	NUT, 1/4"-20, G5 TUERCA	ECROU	MUTTER	010D	
					DADO MOETRIK	PORCA	MOER		
15		280736		2	NUT, LOCK, 5/16"-18, GC, If Used CONTRA TUERCA	CONTRA TUERCA	CONTRE-ECROU	SICHERUNGSMUTTER	P263
					CONTRODADO NUT, LOCK	CONTRA PORCA	NUT, LOCK		

BSN L185 NA 1 SPD N8M465249, 2 SPD N8M465247, EU N8M467462; C185 N8M472597

C185 L185

RADIATOR - COOLANT RECOVERY SYSTEM; BSN L185 NA 1 SPD N8M465249, 2 SPD N8M465247, EU N8M467462; C185 N8M472597
RADIADOR - SISTEMA DE RECUPERACION DEL REFRIGERANTE; BSN L185 NA 1 SPD N8M465249, 2 SPD N8M465247, EU N8M467462; C185 N8M472597
RADIATEUR - CIRCUIT DE RECUPERATION DU LIQUIDE DE REFRIGERANT; BSN L185 NA 1 SPD N8M465249, 2 SPD N8M465247, EU N8M467462; C185 N8M472597
KÜHLER - KÜHLMITTEL-RÜCKGEWINNUNGSSYSTEM; BSN L185 NA 1 SPD N8M465249, 2 SPD N8M465247, EU N8M467462; C185 N8M472597



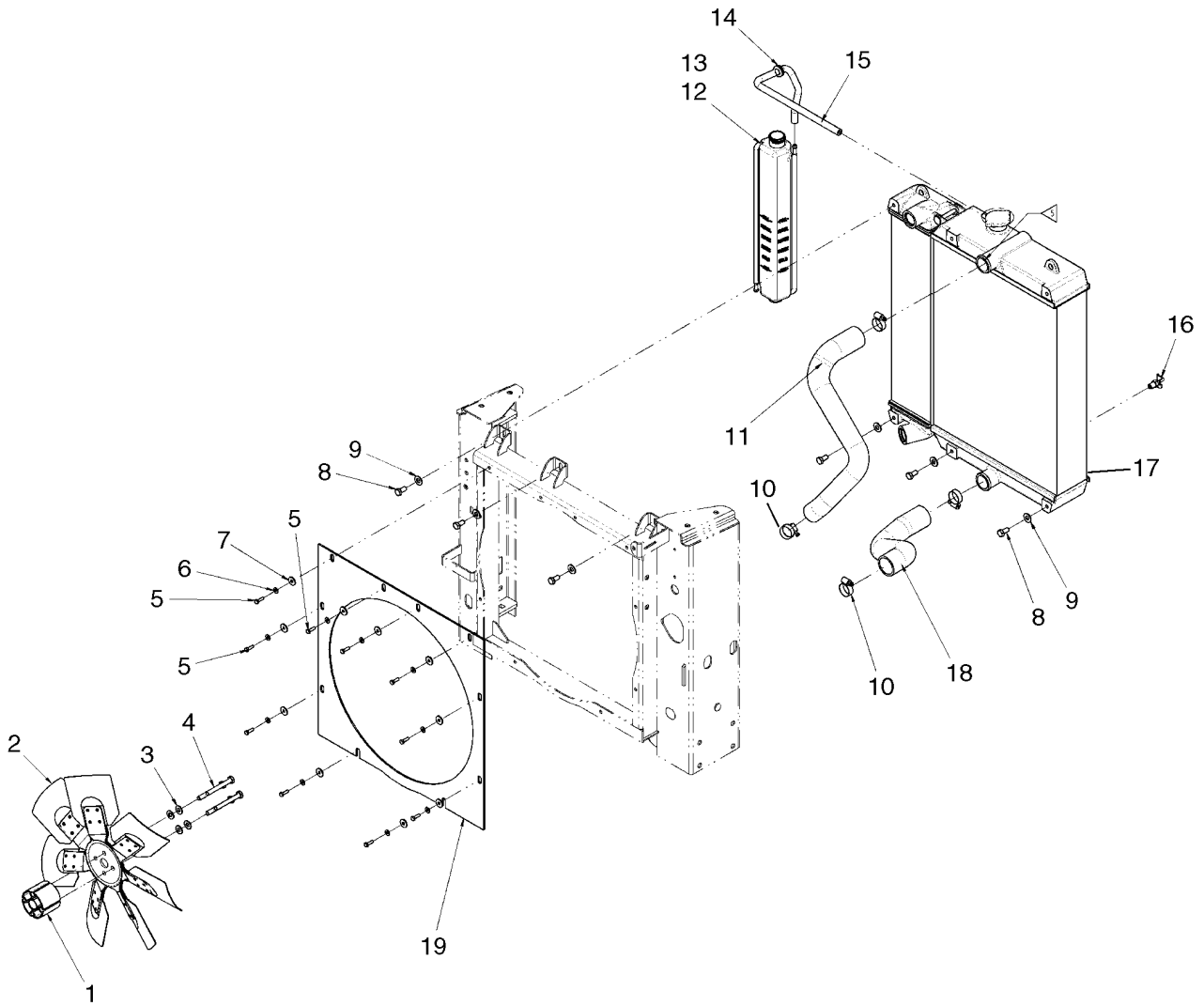
RADIATORE - SISTEMA DI RECUPERO DEL REFRIGERANTE; BSN L185 NA 1 SPD N8M465249, 2 SPD N8M465247, EU N8M467462; C185 N8M472597
 KØLER - KØLEMIDDELGENINDVINDINGSSYSTEM; BSN L185 NA 1 SPD N8M465249, 2 SPD N8M465247, EU N8M467462; C185 N8M472597
 RADIADOR - SISTEMA DE RECUPERAÇÃO DO FLUIDO DE REFRIGERAÇÃO; BSN L185 NA 1 SPD N8M465249, 2 SPD N8M465247, EU N8M467462; C185 N8M472597
 RADIATOR - KOELVLOEISTOFOPVANGSYSTEEM; BSN L185 NA 1 SPD N8M465249, 2 SPD N8M465247, EU N8M467462; C185 N8M472597

R	N	P.N.	MOD	Q	Description Descrizione	Denominacion Beskrivelse	Description Denominação	Bezeichnung Beschrijving	L.C.
16		88574		1	BOLT, Hex, 5/16"-18 x 1/2", G5, Full Thd, If Used	TORNILLO	BOULON	SCHRAUBE	140B
					BULLONE	SKRUE	PARAFUSO	BOUT	
17		87038914		1	PLATE, Pull; If Used	PLACA	PLAQUE	BLECH, PLATTE	105P
					PIASTRA	PLADE	CHAPA	PLAAT	
18		87872		1	BOLT, Hex, 5/16"-18 x 3/4", G5, Full Thd, If Used	TORNILLO	BOULON	SCHRAUBE	140B
					BULLONE	SKRUE	PARAFUSO	BOUT	
19		216698		2	PIN, SPLIT (COTTER), If Used	PASADOR ABIERTO	GOUPILLE	SPLINT	270C
					COPPIGLIA	SPLITBOLT	TROCO DE ABRIR	SPLITPEN	
20		86624176		2	WASHER, M10 x 20 x 2, If Used	ARANDELA	RONDELLE	UNTERLEGSCHIEBE	131R
					ROSETTA PIANA	FLADSKIVE	ANILHA	SLUITRING	

BSN L185 NA 1 SPD N8M465249, 2 SPD N8M465247, EU N8M467462; C185 N8M472597

C185 L185

FAN, RADIATOR/OIL COOLER - COOLANT RECOVERY SYSTEM; ASN L185 NA 1 SPD N8M465249, 2 SPD N8M465247, EU N8M467462; C185 N8M467462
VENTILADOR, RADIADOR - SISTEMA DE RECUPERACION DEL REFRIGERANTE; ASN L185 NA 1 SPD N8M465249, 2 SPD N8M465247, EU N8M467462; C185 N8M467462
VENTILATEUR, RADIATEUR - CIRCUIT DE RECUPERATION DU LIQUIDE DE REFROIDISSEMENT; ASN L185 NA 1 SPD N8M465249, 2 SPD N8M465247, EU N8M467462; C185 N8M467462
LÜFTER, KÜHLER - KÜHLMITTEL-RÜCKGEWINNUNGSSYSTEM; ASN L185 NA 1 SPD N8M465249, 2 SPD N8M465247, EU N8M467462; C185 N8M467462



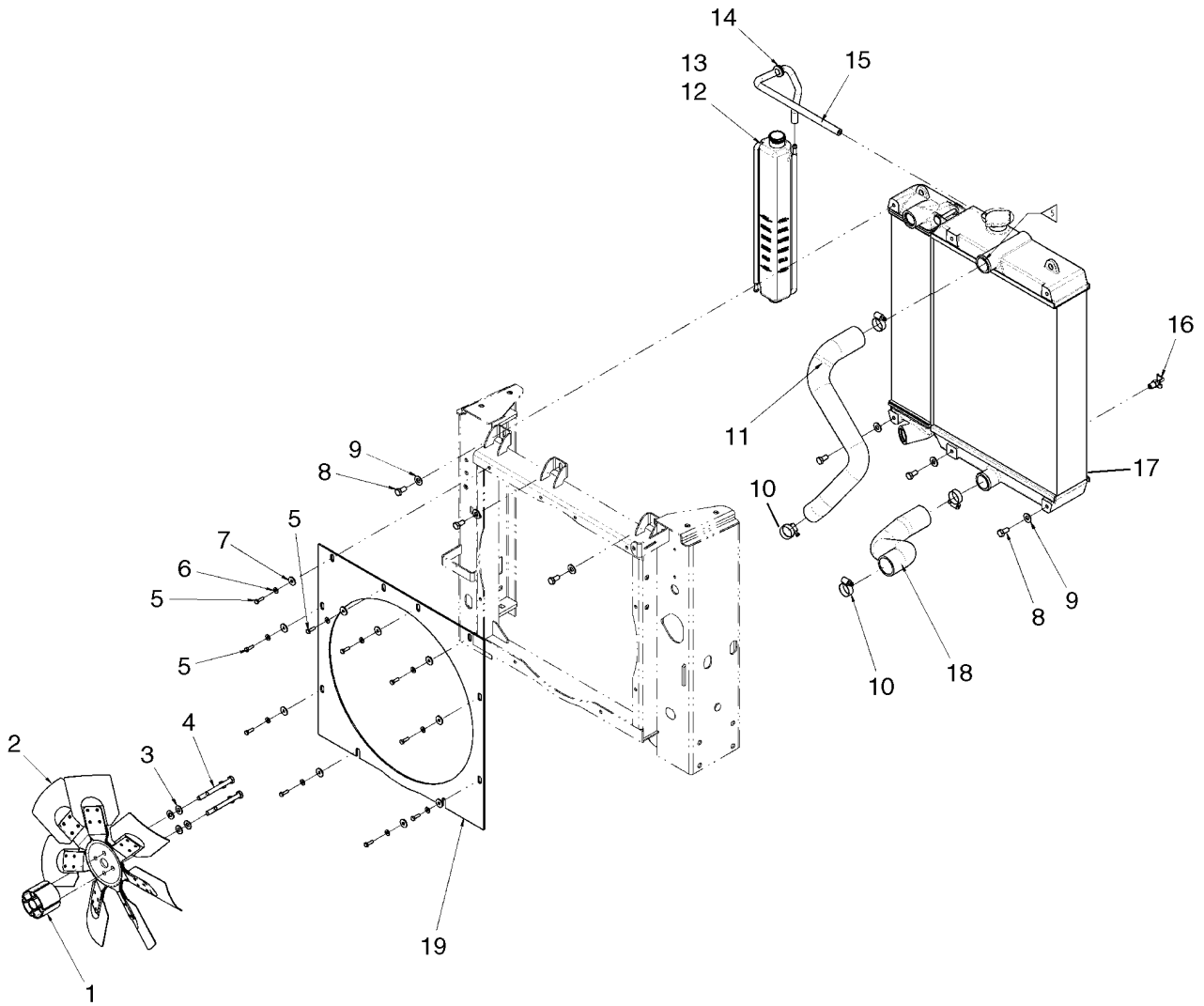
VENTILATORE, RADIATORE - SISTEMA DI RECUPERO DEL REFRIGERANTE; ASN L185 NA 1 SPD N8M465249, 2 SPD N8M465247, EU N8M467462; C185
 VENTILATOR, KØLER - KØLEMIDDELGENINDVINDINGSSYSTEM; ASN L185 NA 1 SPD N8M465249, 2 SPD N8M465247, EU N8M467462; C185
 VENTOINHA, RADIADOR - SISTEMA DE RECUPERAÇÃO DO FLUIDO DE REFRIGERAÇÃO; ASN L185 NA 1 SPD N8M465249, 2 SPD N8M465247, EU N8M467462; C185
 VENTILATOR, RADIATOR - KOELVLOEISTOFOPVANGSYSTEEM; ASN L185 NA 1 SPD N8M465249, 2 SPD N8M465247, EU N8M467462; C185

R	N	P.N.	MOD	Q	Description Descrizione	Denominacion Beskrivelse	Description Denominação	Bezeichnung Beschrijving	L.C.
		REF			INSTRUCTION, See Figure 02-01 For Other Option	MANUAL	NOTICE	HINWEIS	Z571
1		87565746		1	ISTRUZIONI	SKO, INDRE	INSTRUCAO	INSTRUCTION	
					SPACER, Fan Spacer, North American Models	SEPARADOR	ENTRETOISE	DISTANZSTÜCK	075D
2		87025470		1	DISTANZIALE	AFSTANDSSTYKKE	ESPACADOR	AFSTANDSRING	
					FAN, 480 mm (20 3/8 in.) Dia.	VENTILADOR	VENTILATEUR	LÜFTER	030V
1		87708428		1	VENTILATORE	VENTILATOR	VENTOINHA	VENTILATOR	
					SPACER, Fan Spacer; European Models	SEPARADOR	ENTRETOISE	DISTANZSTÜCK	075D
3		140045		4	DISTANZIALE	AFSTANDSSTYKKE	ESPACADOR	AFSTANDSRING	
					WASHER, SPRING, Belleville, M10	ARANDELA ABANICO	RONDELLE BELLEVILLE	FEDERSCHEIBE	P692
5		120100		4	MOLLA BELLEVILLE	BELLEVILLEVASKER	ARRUELA MOLA	WASHER, SPRING	
					BOLT, Hex, M6 x 20, 8.8	TORNILLO	BOULON	SCHRAUBE	140B
4		120116		10	BULLONE	SKRUE	PARAFUSO	BOUT	
					SCREW, North American Models	TORNILLO	VIS	SCHRAUBE	040V
6		322357		10	VITE	SKRUE	PARAFUSO	SCHROEF	
					WASHER, SPRING, Belleville, M6	ARANDELA ABANICO	RONDELLE BELLEVILLE	FEDERSCHEIBE	P692
4		120075		10	MOLLA BELLEVILLE	BELLEVILLEVASKER	ARRUELA MOLA	WASHER, SPRING	
					SCREW, Hex, M10 x 100, 8.8, European Models	TORNILLO	VIS	SCHRAUBE	040V
7		140040		10	VITE	SKRUE	PARAFUSO	SCHROEF	
					WASHER, M6 x 22 x 2	ARANDELA	RONDELLE	UNTERLEGSscheIBE	131R
8		43138		6	ROSETTA PIANA	FLADSKIVE	ANILHA	SLUITRING	
					SCREW, Hex, M10 x 20, 8.8, Full Thd	TORNILLO	VIS	SCHRAUBE	040V
9		86625253		6	VITE	SKRUE	PARAFUSO	SCHROEF	
					WASHER, M11 x 24 x 2	ARANDELA	RONDELLE	UNTERLEGSscheIBE	131R
11		87648121		1	ROSETTA PIANA	FLADSKIVE	ANILHA	SLUITRING	
					HOSE, Upper Radiator Hose	MANGA	FLEXIBLE	SCHLAUCH	030M
10		84674		3	MANICOTTO FLESSIBILE	SLANGE	TUBO FLEXIVEL	FLEXIBELE BUIS	
					CLAMP, HOSE, #28, 1.31/2.25 Type F Worm, North American Models	ABRAZADERA MANGUEI	BRIDE, FLEXIBLE	SCHLAUCHSCHELLE	P729
10		86050202		3	MORSETTO	SLANGKLEMME	BRACADEIRA MANGUEI	SLANGKLEM	
					CLAMP, HOSE, #32, 1.56/2.50 Type F Worm, European Models	ABRAZADERA MANGUEI	BRIDE, FLEXIBLE	SCHLAUCHSCHELLE	P729
12		87020980		1	MORSETTO	SLANGKLEMME	BRACADEIRA MANGUEI	SLANGKLEM	
					RESERVOIR, COOLANT EXPNSN, Coolant Recovery Bottle; Incl 13	DEPOSITO DE VACIO	RESERVOIR DEPRESSE	KÜHLMITTELAUSGLEICH	117S
13		257884A1		1	SERBATOIO A DEPRESS	VAKUMTANK	DEPOSITO DE VACUO	VACUUMTANK	
					PLUG, Cap	TAPÓN	BOUCHON	STOPFEN	6400
14		86502507		1	TAPPO	PROP	BUJAO	PLUG	
					GROMMET	PASACABLES	PASSE-FIL	TÜLLE	131A
					ANELLO PASSACAIVO	RING	CASQUILHO ISOLADOR	KABELDOORGANG	

ASN L185 NA 1 SPD N8M465249, 2 SPD N8M465247, EU N8M467462; C185
 N8M472597

C185 L185

FAN, RADIATOR/OIL COOLER - COOLANT RECOVERY SYSTEM; ASN L185 NA 1 SPD N8M465249, 2 SPD N8M465247, EU N8M467462; C185 N8M467462
VENTILADOR, RADIADOR - SISTEMA DE RECUPERACION DEL REFRIGERANTE; ASN L185 NA 1 SPD N8M465249, 2 SPD N8M465247, EU N8M467462; C185 N8M467462
VENTILATEUR, RADIATEUR - CIRCUIT DE RECUPERATION DU LIQUIDE DE REFROIDISSEMENT; ASN L185 NA 1 SPD N8M465249, 2 SPD N8M465247, EU N8M467462; C185 N8M467462
LÜFTER, KÜHLER - KÜHLMITTEL-RÜCKGEWINNUNGSSYSTEM; ASN L185 NA 1 SPD N8M465249, 2 SPD N8M465247, EU N8M467462; C185 N8M467462



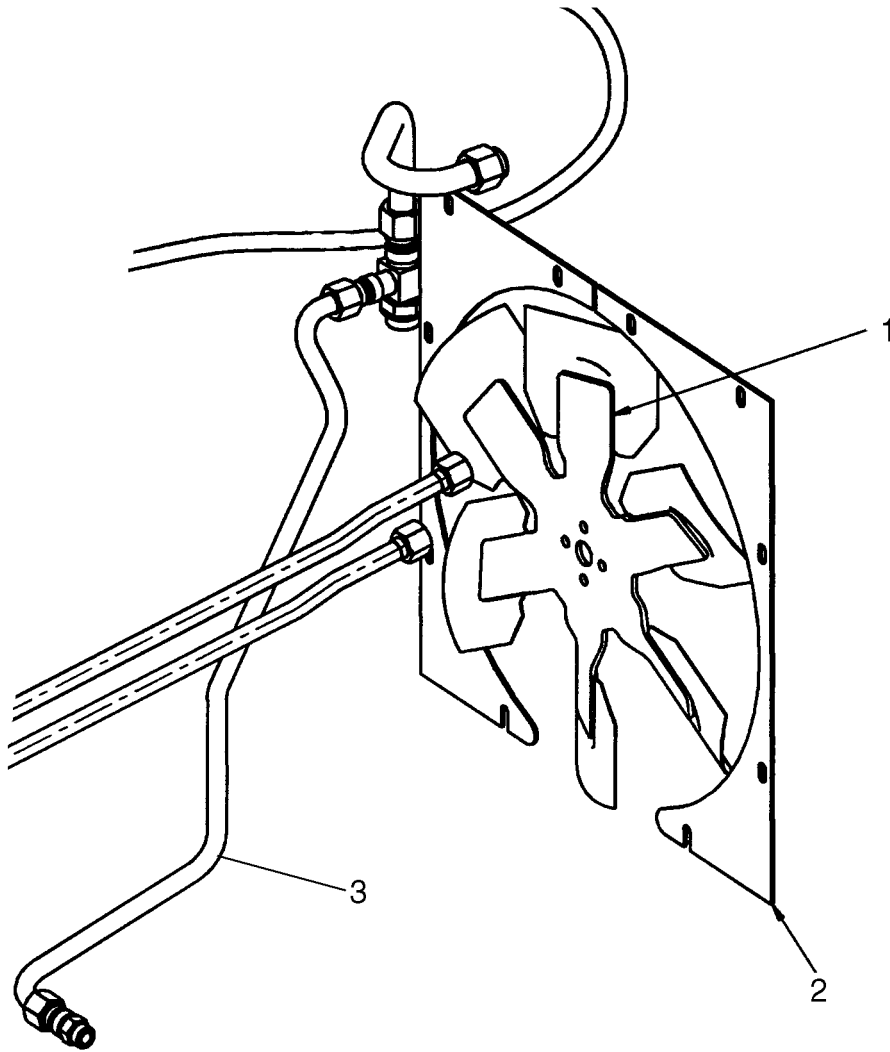
VENTILATORE, RADIATORE - SISTEMA DI RECUPERO DEL REFRIGERANTE; ASN L185 NA 1 SPD N8M465249, 2 SPD N8M465247, EU N8M467462; C185
 VENTILATOR, KØLER - KØLEMIDDELGENINDVINDINGSSYSTEM; ASN L185 NA 1 SPD N8M465249, 2 SPD N8M465247, EU N8M467462; C185
 VENTONHA, RADIADOR - SISTEMA DE RECUPERAÇÃO DO FLUIDO DE REFRIGERAÇÃO; ASN L185 NA 1 SPD N8M465249, 2 SPD N8M465247, EU N8M467462; C185
 VENTILATOR, RADIATOR - KOELVLOEISTOFOPVANGSYSTEEM; ASN L185 NA 1 SPD N8M465249, 2 SPD N8M465247, EU N8M467462; C185

R	N	P.N.	MOD	Q	Description Descrizione	Denominacion Beskrivelse	Description Denominação	Bezeichnung Beschrijving	L.C.
15		87721289		1	HOSE, Coolant Expansion Reservoir , 590mm (23 1/4 in.), North American Models MANGA		FLEXIBLE	SCHLAUCH	030M
					MANICOTTO FLESSIBILE SLANGE		TUBO FLEXIVEL	FLEXIBELE BUIS	
15		87672323		1	HOSE, Coolant Expansion Reservoir , 590mm (23 1/4 in.), North American Models MANGA		FLEXIBLE	SCHLAUCH	030M
					MANICOTTO FLESSIBILE SLANGE		TUBO FLEXIVEL	FLEXIBELE BUIS	
16		86625234		1	COCK, DRAIN CRICCO	LLAVE DE PASO COCK, DRAIN	ROBINET DE VIDANGE DRENO	ABLASSHAHN COCK, DRAIN	Z158
17		87648127		1	COOLER, Radiator And Oil Cooler Module; See Fig 02-01B REFRIGERATORE	ENFRIADOR KØLER	REFROIDISSEUR RADIADOR	KÜHLER COOLER	2130
18		87648123		1	HOSE, Lower Radiator Hose MANICOTTO FLESSIBILE	MANGA SLANGE	FLEXIBLE TUBO FLEXIVEL	SCHLAUCH FLEXIBELE BUIS	030M
19		87662456		1	PLATE, Fan Shroud Front PIASTRA	PLACA PLADE	PLAQUE CHAPA	BLECH, PLATTE PLAAT	105P

ASN L185 NA 1 SPD N8M465249, 2 SPD N8M465247, EU N8M467462; C185
 N8M472597

C185 L185

FAN; HIGH FLOW ASN L185 NA 1 SPD N8M465249, 2 SPD N8M465247, EU N8M467462; C185 N8M472597
VENTILADOR, FLUJO ALTO, ASN L185 NA 1 SPD N8M465249, 2 SPD N8M465247, EU N8M467462; C185 N8M472597
VENTILATEUR, GRAND DEBIT, ASN L185 NA 1 SPD N8M465249, 2 SPD N8M465247, EU N8M467462; C185 N8M472597
LÜFTER, HOHER DURCHFLUSS, ASN L185 NA 1 SPD N8M465249, 2 SPD N8M465247, EU N8M467462; C185 N8M472597



VENTILATORE, ALTA PORTATA, ASN L185 NA 1 SPD N8M465249, 2 SPD N8M465247, EU N8M467462; C185 N8M472597
 VENTILATOR, REGULATOR, ASN L185 NA 1 SPD N8M465249, 2 SPD N8M465247, EU N8M467462; C185 N8M472597
 VENTOINHA, FLUXO ALTO, ASN L185 NA 1 SPD N8M465249, 2 SPD N8M465247, EU N8M467462; C185 N8M472597
 VENTILATOR, HOOG DEBIET, ASN L185 NA 1 SPD N8M465249, 2 SPD N8M465247, EU N8M467462; C185 N8M472597

R	N	P.N.	MOD	Q	Description Descrizione	Denominacion Beskrivelse	Description Denominação	Bezeichnung Beschrijving	L.C.
1		87680032		1	FAN, 518 mm VENTILATORE	VENTILADOR VENTILATOR	VENTILATEUR VENTOINHA	LÜFTER VENTILATOR	030V
2		87662454		2	PLATE, Front Fan Shroud PIASTRA	PLACA PLADE	PLAQUE CHAPA	BLECH, PLATTE PLAAT	105P
3		REF			INSTRUCTION, See Figure 08-09B, Oil Cooler Bypass ISTRUZIONI	MANUAL SKO, INDRE	NOTICE INSTRUCAO	HINWEIS INSTRUCTION	Z571

ASN L185 NA 1 SPD N8M465249, 2 SPD N8M465247, EU N8M467462; C185
 N8M472597

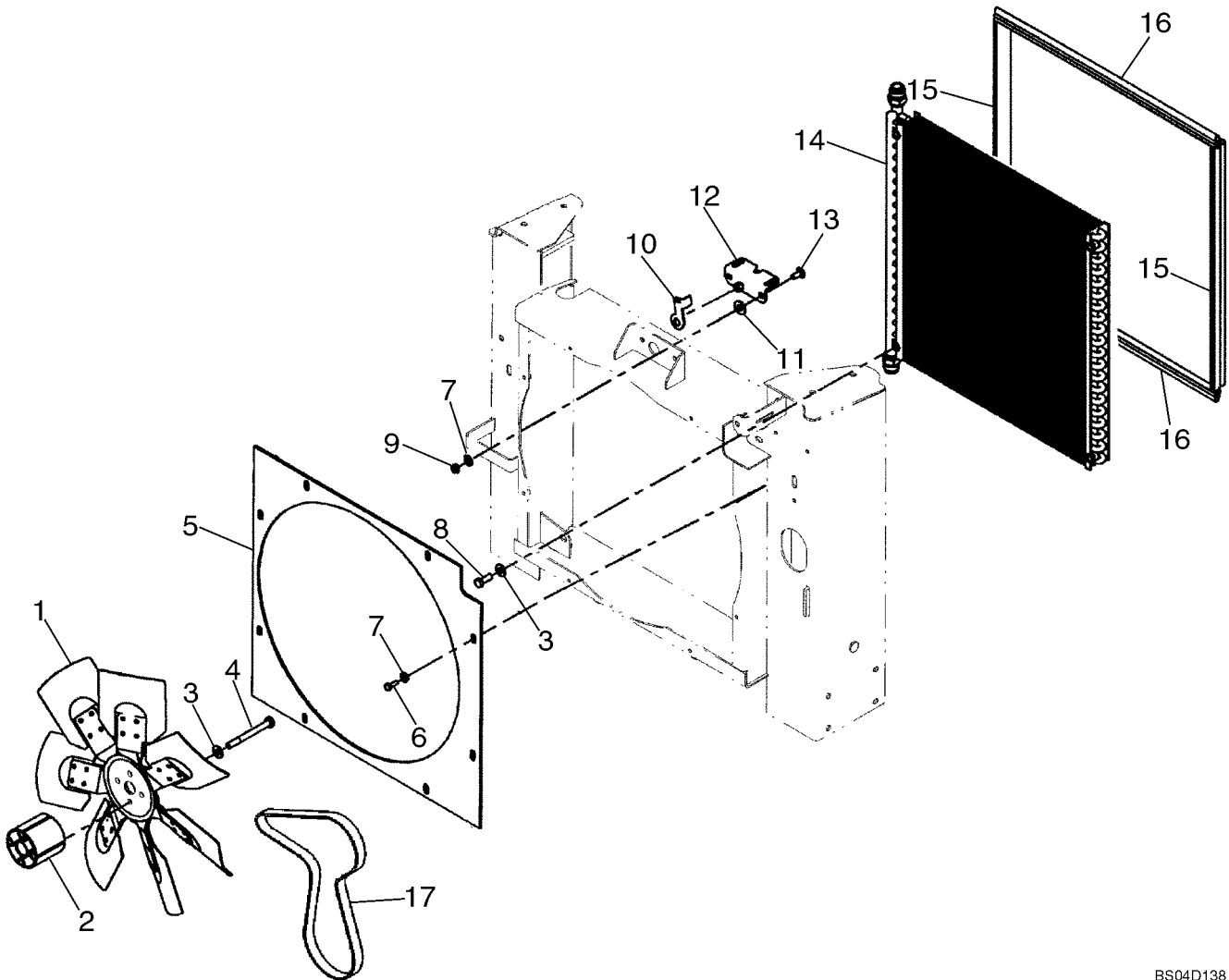
L185

FAN, FAN BELT - STANDARD OIL COOLER

VENTILADOR, CORREA DEL VENTILADOR - REFRIGERADOR DE ACEITE, ESTANDAR

VENTILATEUR, COURROIE DU VENTILATEUR - REFRIGIDISSEUR D'HUILE, STANDARD

LÜFTER, LÜFTERRIEMEN - ÖLKÜHLER, STANDARD

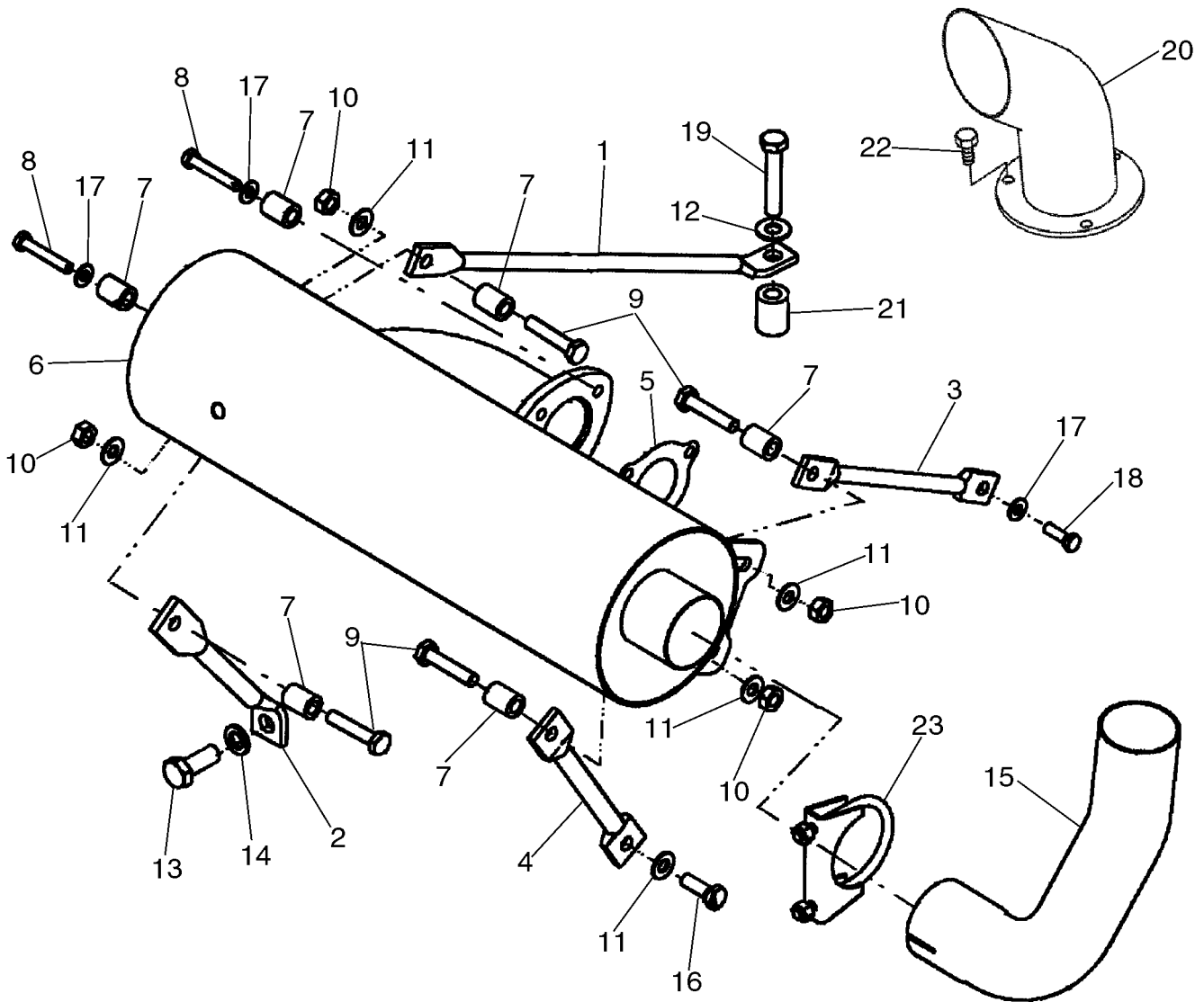


VENTILATORE, CINGHIA DEL VENTILATORE - SCAMBIATORE DI CALORE OLIO, STANDARD
 VENTILATOR, VENTILATORREM - OLIEKØLER, STANDARD
 VENTOINHA, CORREIA DO VENTILADOR - ARREFECEDOR DO ÓLEO, STANDARD
 VENTILATOR, VENTILATORRIEM - OLIEKOELER, STANDARD

R	N	P.N.	MOD	Q	Description Descrizione	Denominacion Beskrivelse	Description Denominação	Bezeichnung Beschrijving	L.C.
1		87025470		1	FAN, 480 dia VENTILATORE	VENTILADOR VENTILATOR	VENTILATEUR VENTOINHA	LÜFTER VENTILATOR	030V
2		A184547		1	SPACER, Fan DISTANZIALE	SEPARADOR AFSTANDSSTYKKE	ENTRETOISE ESPACADOR	DISTANZSTÜCK AFSTANDSRING	075D
3		140045		8	WASHER, SPRING, Belleville, M10				
4		120075		4	MOLLA BELLEVILLE SCREW, Hex, M10 x 100, 8.8	ARANDELA ABANICO BELLEVILLEVASKER TORNILLO	RONDELLE BELLEVILLE ARRUELA MOLA	FEDERSCHEIBE WASHER, SPRING	P692
5		87051585		1	VITE SHROUD, Replaces 87022919	SKRUE	PARAFUSO	SCHRAUBE SCHROEF	040V
6		9707580		8	RIPARO BOLT, Hex, 1/4"-20 x 3/4", G5, Full Thd	BOQUILLA DÆKKE TORNILLO	BUSE COBERTURA	ABDECKUNG SHROUD	7830
7		322357		8	BULLONE WASHER, SPRING, Belleville, M6	SKRUE	BOULON PARAFUSO	SCHRAUBE BOUT	140B
7A		140040		8	MOLLA BELLEVILLE WASHER, M6 x 22 x 2, Used with Ref 6, 7; If Used	ARANDELA ABANICO BELLEVILLEVASKER	RONDELLE BELLEVILLE ARRUELA MOLA	FEDERSCHEIBE WASHER, SPRING	P692
8		88206		4	ROSETTA PIANA BOLT, Hex, 3/8"-16 x 1", G5, Full Thd	FLADSKIVE TORNILLO	RONDELLE ANILHA	UNTERLEGSCHIEBE SLUITRING	131R
9		9635082		2	BULLONE NUT, 5/16"-18, G5	SKRUE	BOULON PARAFUSO	SCHRAUBE BOUT	140B
10		87017116		1	DADO LEVER, Assy	MOETRIK PALANCA	PORCA LEVIER	MOER HEBEL	010D 045L
11		80702		2	LEVA WASHER, 3/8"	HAANDTAG ARANDELA	ALAVANCA RONDELLE	HEFBOOM UNTERLEGSCHIEBE	131R
12		84015292		1	ROSETTA PIANA LOCK, If Used	FLADSKIVE CERRADURA	ANILHA SERRURE	SLUITRING SCHLOSS	120S
12		87705306		1	SERRATURA LATCH, If Used	LAAS PESTILLO	FECHADURA LOQUET	SLOT KLINKE	156C
13		280497		2	CHIAVISTELLO BOLT, CARRIAGE, Short NK, 5/16"-18 x 3/4", G5, Full Thd	PAL PERNO, CABEZA ROND/ BOLT, CARRIAGE	TRINCO BOULON TETE BOMBEE PARAFUSO	KLINK FLACHRUNDSCHRAUBE BOLT, CARRIAGE	P123
14		87032488		1	BULLONE TESTA TONDA COOLER, Oil; See Figure 08-20 For Upper and Lower	ENFRIADOR	REFROIDISSEUR	KÜHLER	2130
15		87026112		2	REFRIGERATORE SEAL	KØLER	RADIADOR	COOLER	132A
16		87016847		2	ANELLO DI TENUTA SEAL	ANILLO DE CIERRE PAKNINGSRING	JOINT ANEL DE VEDACAO	DICHTUNG DICHTINGSRING	132A
17		86982450		1	ANELLO DI TENUTA V-BELT CINGHIA, TRAPEZ	ANILLO DE CIERRE PAKNINGSRING CORREA TRAPEZOIDAL V-BELT	JOINT ANEL DE VEDACAO COURROIE TRAPEZOID. CORREIA V	DICHTUNG DICHTINGSRING KEILRIEMEN V-BELT	Z087

C185 L185

EXHAUST SYSTEM; BSN L185 NA 1 SPD N8M465249, 2 SPD N8M465247, EU N8M467462; C185 N8M472597
ESCAPE; SI SE USA; BSN L185 NA 1 SPD N8M465249, 2 SPD N8M465247, EU N8M467462; C185 N8M472597
ECHAPPEMENT; BSN L185 NA 1 SPD N8M465249, 2 SPD N8M465247, EU N8M467462; C185 N8M472597
AUSPUFFSYSTEM; BSN L185 NA 1 SPD N8M465249, 2 SPD N8M465247, EU N8M467462; C185 N8M472597



IMPIANTO DI SCARICO; BSN L185 NA 1 SPD N8M465249, 2 SPD N8M465247, EU N8M467462; C185 N8M472597
 UDSTØDNINGSSYSTEM; BSN L185 NA 1 SPD N8M465249, 2 SPD N8M465247, EU N8M467462; C185 N8M472597
 ESCAPAMENTO; BSN L185 NA 1 SPD N8M465249, 2 SPD N8M465247, EU N8M467462; C185 N8M472597
 UITLAATSYSTEEM; BSN L185 NA 1 SPD N8M465249, 2 SPD N8M465247, EU N8M467462; C185 N8M472597

R	N	P.N.	MOD	Q	Description Descrizione	Denominacion Beskrivelse	Description Denominação	Bezeichnung Beschrijving	L.C.
1		87033358		1	ROD, Muffler Support ASTA	VARILLA STANG	TRINGLE HASTE	STAB STANG	090A
2		87033359		1	ROD, Muffler Mounting ASTA	VARILLA STANG	TRINGLE HASTE	STAB STANG	090A
3		87033357		1	ROD, Muffler Support ASTA	VARILLA STANG	TRINGLE HASTE	STAB STANG	090A
4		87054821		1	ROD, Muffler Support; Replaces 87033356 ASTA	VARILLA STANG	TRINGLE HASTE	STAB STANG	090A
5		86900873		1	GASKET, Muffler GUARNIZIONE	JUNTA HERMETICA PAKNING	JOINT JUNTA	DICHTUNG, FLACH DICHTINGSSTUK	123G
6		87024465		1	MUFFLER, Assy SILENZIATORE	SILENCIADOR LYDDAEMPER	SILENCIEUX SILENCIADOR	SCHALLDÄMPFER KNALPOT	160S
7		256690A1		8	SPACER DISTANZIALE	SEPARADOR AFSTANDSSTYKKE	ENTRETOISE ESPACADOR	DISTANZSTÜCK AFSTANDSRING	075D
8		43130		4	BOLT, Hex, M8 x 50, 8.8 BULLONE	TORNILLO SKRUE	BOULON PARAFUSO	SCHRAUBE BOUT	140B
9		43249		4	SCREW, Hex, M10 x 50, 10.9 VITE	TORNILLO SKRUE	VIS PARAFUSO	SCHRAUBE SCHROEF	040V
10		411345A1		4	NUT, M10 DADO	TUERCA MØTRIK	ECROU PORCA	MUTTER MOER	5780
11		140045		5	WASHER, SPRING, Belleville, M10 MOLLA BELLEVILLE	ARANDELA ABANICO BELLEVILLEVASKER	RONDELLE BELLEVILLE ARRUELA MOLA	FEDERSCHEIBE WASHER, SPRING	P692
12		140045		1	WASHER, SPRING, Belleville, M10 MOLLA BELLEVILLE	ARANDELA ABANICO BELLEVILLEVASKER	RONDELLE BELLEVILLE ARRUELA MOLA	FEDERSCHEIBE WASHER, SPRING	P692
13		280854		1	BOLT, Hex, M14 x 35, 8.8, Full Thd BULLONE	TORNILLO SKRUE	BOULON PARAFUSO	SCHRAUBE BOUT	140B
14		140030		1	WASHER, LOCK, M14 ROSETTA DI SICUREZZA	ARANDELA DE FRENO LAASESKIVE	RONDELLE FREIN ANILHA DE FIXACAO	SICHERUNGSSCHEIBE VEERRING	132R
15		87035330		1	TUBE, Exhaust Tube; 3 x 30.5 mm Mounting Slots on End TUBETTO	TUBO RØR	TUBE TUBO	ROHR BUISJE	195T
15		87368247		1	PIPE, EXHAUST SYSTEM, Exhaust Tube; 3 x 43 mm Mounting Slots on End; Replaces 87035330 TUBO DI SCARICO	TUBO DE ESCAPE RØR, UDSTØDNINGS SY	TUBE ECHAPPEMENT TUBO ESCAPE	AUSPUFFROHR PIJP, UITLAATSYSTEEM	198T
16		43140		1	BOLT, Hex, M10 x 30, 8.8, Full Thd BULLONE	TORNILLO SKRUE	BOULON PARAFUSO	SCHRAUBE BOUT	140B
17		322358		4	WASHER, SPRING, Belleville, M8 MOLLA BELLEVILLE	ARANDELA ABANICO BELLEVILLEVASKER	RONDELLE BELLEVILLE ARRUELA MOLA	FEDERSCHEIBE WASHER, SPRING	P692
18		43127		1	BOLT, Hex, M8 x 25, 8.8 BULLONE	TORNILLO SKRUE	BOULON PARAFUSO	SCHRAUBE BOUT	140B
19		120070		1	BOLT, Hex, M10 x 60, 8.8 BULLONE	TORNILLO SKRUE	BOULON PARAFUSO	SCHRAUBE BOUT	140B

BSN L185 NA 1 SPD N8M465249, 2 SPD N8M465247, EU N8M467462; C185 N8M472597

C185 L185

BUY NOW

**Then Instant Download
the Complete Manual
Thank you very much!**