

PARTS CATALOG

Product Line

**CATALOGO PARTI
DI RICAMBIO**

Model

LM1133 - LM732

**CATALOGUE DES PIECES
DETACHEES**

ERSATZTEILKATALOG

**CATÁLOGO DES PIEZAS
DE REPUESTO**

**CATÁLOGO DE PEÇAS
SOBRESSALENTES**

ONDERDELENLIJST

RESERVEDELSKATALOG

CATALOGUE n. 87690836 - 87729100

1st Edition 12 - 2007

 **NEW HOLLAND**

TABLE OF CONTENTS

0 - FILTERS	00	MAINTENANCE PARTS
0.02.1	01	ENGINE
0.04.0	01	CRANKCASE
0.04.0	02	CRANKCASE
0.04.2	01	ENGINE OIL SUMP
0.04.3	01	CRANKCASE COVERS
0.04.3	02	CRANKCASE COVERS
0.04.3/A	01	CRANKCASE COVERS
0.04.5	01	BREATHER - ENGINE
0.06.0	01	CYLINDER HEAD
0.06.3	01	CYLINDER HEAD COVERS
0.06.6	01	ROCKER SHAFT
0.07.1	01	INTAKE MANIFOLD
0.07.7	01	EXHAUST MANIFOLD
0.08.0	01	CRANKSHAFT
0.08.1	01	CONNECTING ROD
0.08.2	01	PISTON - ENGINE
0.08.3	01	FLYWHEEL - ENGINE
0.08.4	01	PULLEY - CRANKSHAFT
0.12.0	01	CAMSHAFT - TIMING CONTROL
0.14.0	01	INJECTION EQUIPMENT - INJECTOR
0.14.0/A	01	INJECTION PUMP
0.14.2	01	INJECTION PUMP - CONTROL
0.14.6	01	INJECTION EQUIPMENT - PIPING
0.14.9	01	INJECTION EQUIPMENT - PIPING
0.20.0	01	FUEL FILTER
0.20.1	01	FUEL PUMP
0.20.3	01	PIPING - FUEL
0.20.4	01	INJECTION EQUIPMENT - PIPING
0.24.0/A	01	TURBOCHARGER
0.27.0	01	ENGINE OIL DIPSTICK
0.27.2	01	MOTOR SENSORS
0.30.0	01	OIL PUMP - ENGINE
0.30.2/A	01	OIL FILTERS - ENGINE
0.30.5	01	PIPING - ENGINE OIL
0.31.5	01	HEAT EXCHANGER - ENGINE
0.32.0	01	WATER PUMP
0.32.3	01	PIPING - ENGINE COOLING SYSTEM
0.32.6	01	THERMOSTAT - ENGINE COOLING SYSTEM
0.34.0	01	WATER PUMP - CONTROL
0.34.5	01	FAN DRIVE
0.36.0	01	STARTER MOTOR
0.36.0/A	01	STARTER MOTOR - COMPONENTS
0.40.0	01	ALTERNATOR
0.45.0	01	HOOKS - ENGINE
1.04.0	01	FUEL TANK
1.10.1	01	THROTTLE CONTROL
1.11.1	01	LIFT CYLINDER
1.11.1	02	LIFT CYLINDER - COMPONENTS
1.11.2	01	COMPENSATION CYLINDER
1.11.2	02	COMPENSATION CYLINDER - COMPONENTS
1.15.0	01	EXHAUST SILENCER
1.17.0	01	ENGINE COOLING
1.17.0	02	ENGINE COOLING
1.17.0	03	ENGINE COOLING

TABLE OF CONTENTS

1.19.1	01	AIR CLEANER
1.19.1	02	AIR CLEANER - COMPONENTS
1.21.5	01	MAIN FRAME - VERSION (01)
1.21.5/A	01	MAIN FRAME - VERSION (02)
1.21.7	01	COUNTERWEIGHT
1.21.8	01	STD STABILISER
1.21.8	02	STD STABILISER - COMPONENTS
1.26.0	01	ENGINE AND TRANSMISSION SUPPORT
1.28.8	01	TRANSMISSION LUBRIFICATION SYSTEM
1.28.A	01	TRANSMISSION
1.28.A	02	TRANSMISSION - COMPONENTS
1.28.A	03	TRANSMISSION - COMPONENTS
1.28.A	04	TRANSMISSION - COMPONENTS
1.28.A	05	TRANSMISSION - COMPONENTS
1.28.A	06	TRANSMISSION - COMPONENTS
1.28.A	07	TRANSMISSION - COMPONENTS
1.28.A	08	TRANSMISSION - COMPONENTS
1.28.A	09	TRANSMISSION - COMPONENTS
1.28.A	10	TRANSMISSION - COMPONENTS
1.28.A	11	TRANSMISSION - COMPONENTS
1.28.A	12	TRANSMISSION - COMPONENTS
1.28.A	13	TRANSMISSION - COMPONENTS
1.28.A	14	TRANSMISSION - COMPONENTS
1.28.A	15	TRANSMISSION - COMPONENTS
1.28.A	16	TRANSMISSION - COMPONENTS
1.38.0	01	DRIVE SHAFTS
1.44.0	01	REAR AXLE
1.44.0	02	REAR AXLE - COMPONENTS
1.44.0	03	REDUCTION - REAR AXLE
1.44.0	04	DIFFERENTIAL - REAR AXLE
1.44.0	05	BRAKE DISCS - REAR AXLE
1.44.0	06	STEERING SYSTEM - REAR AXLE
1.44.0	07	REAR AXLE - SUPPORT
1.63.0	01	STEERING SYSTEM
1.63.1	01	HYDRAULIC CIRCUIT, STEERING SYSTEM
1.65.0	01	BRAKE SYSTEM
1.65.A	01	PARKING BRAKE
1.75.1	01	ELECTRIC COMPONENTS - VERSION (02)
1.75.1	01	ELECTRIC COMPONENTS - VERSION (01)
1.75.2	01	ELECTRIC COMPONENTS
1.75.2	02	ELECTRIC COMPONENTS
1.75.6	01	STANDARD STABILIZER FRONT HEADLAMP SUPPORTS
1.82.0	01	FUEL AND OIL TANK
1.82.3	01	HYDRAULIC PUMP
1.82.6	01	HYDRAULIC SYSTEM PIPING - VERSION (02)
1.82.6	01	HYDRAULIC SYSTEM PIPING - VERSION (01)
1.82.6	02	HYDRAULIC SYSTEM PIPING - VERSION (02)
1.82.6	02	HYDRAULIC SYSTEM PIPING - VERSION (01)
1.83.0	01	HOODS
1.86.2	01	RIGHT REAR VIEW MIRROR
1.92.3	01	TIP-OVER PREVENTION INDICATOR
1.98.2	01	TRADE MARKS - VERSION (01)
1.98.2	01	TRADE MARKS - VERSION (02)
1.98.A	01	DECALS - VERSION (02)
1.98.A	01	DECALS - VERSION (01)

TABLE OF CONTENTS

1.98.A	02	DECALS - VERSION (02)
1.98.A	02	DECALS - VERSION (01)
9.00000	01	POWER SOCKET WITH REEL - OPTIONAL CODE 749087011
9.00002	01	LEFT ARM-REST - OPTIONAL CODE 749166001
9.00074	01	1.2 CU M BUCKET W/HOOKING AND WELDED TEETH - OPTIONAL CODE 749062001
9.00075	01	0.8 CU M BUCKET W/HOOKING AND WELDED TEETH - OPTIONAL CODE 749064001
9.00091	01	BUCKET TEETH GUARD - OPTIONAL CODE 749136001
9.00094	01	BUCKET TEETH GUARD FOR TUV - OPTIONAL CODE 749143001
9.00115	01	RAIN PROTECTION - OPTIONAL CODE 749141001
9.00189	01	FORK EXTENSION L=2000 MM - OPTIONAL CODE 749059001
9.00199	01	FORK EXTENSION L=2500 MM - OPTIONAL CODE 749061001
9.00204	01	COLD START-UP - VERSION (01) - OPTIONAL CODE 749079031
9.00204	01	COLD START-UP - VERSION (02) - OPTIONAL CODE 749079001
9.00325	01	WHEEL BLOCKING - OPTIONAL CODE 749088001
9.00325A	01	LIFT CYLINDER LOCK UP - OPTIONAL CODE 748183021
9.00330	01	EUROPE APPROVAL - OPTIONAL CODE 749029031
9.00333	01	40 KM/H TUV APPROVAL - OPTIONAL CODE 749127011
9.00333	02	40 KM/H TUV APPROVAL - OPTIONAL CODE 749127011
9.00333	03	40 KM/H TUV APPROVAL - OPTIONAL CODE 749127011
9.00335	01	20 KM/H TUV GERMANY APPROVAL - OPTIONAL CODE 749129011
9.00335	02	20 KM/H TUV GERMANY APPROVAL - OPTIONAL CODE 749129011
9.00335	03	20 KM/H TUV GERMANY APPROVAL - OPTIONAL CODE 749129011
9.00342	01	FRANCE APPROVAL - OPTIONAL CODE 749028021
9.00342	02	FRANCE APPROVAL - OPTIONAL CODE 749028011
9.00381	01	BUCKET TEETH KIT - OPTIONAL CODE 748125001
9.00447	01	LSD FRONT AXLE - OPTIONAL CODE 749081111
9.00447	02	LSD FRONT AXLE - COMPONENTS - OPTIONAL CODE 749081111
9.00447	03	REDUCTION - LSD FRONT AXLE - OPTIONAL CODE 749081111
9.00447	04	DIFFERENTIAL - LSD FRONT AXLE - OPTIONAL CODE 749081111
9.00447	05	BRAKE DISCS - LSD FRONT AXLE - OPTIONAL CODE 749081111
9.00447	06	STEERING SYSTEM - LSD FRONT AXLE - OPTIONAL CODE 749081111
9.00601	01	REAR WINDSHIELD WIPER - OPTIONAL CODE 749145011
9.00619	01	ROTATING BEACON - OPTIONAL CODE 749006001
9.00772	01	BOOM WORK LIGHTS - OPTIONAL CODE 749086011
9.00773	01	FRONT WORK LIGHTS - OPTIONAL CODE 749036031
9.00778	01	REAR WORK LIGHTS - OPTIONAL CODE 749037051
9.00825	01	4 SPOOL VALVE ON - OFF - OPTIONAL CODE 749259021 - VERSION (01)
9.00825	02	4 SPOOL VALVE ON - OFF - OPTIONAL CODE 749259021 - VERSION (01)
9.00825	03	4 SPOOL VALVE ON - OFF - OPTIONAL CODE 749259021 - VERSION (01)
9.00825	04	4 SPOOL VALVE ON - OFF - OPTIONAL CODE 749259021 - VERSION (01)
9.00825	05	4 SPOOL VALVE ON - OFF - OPTIONAL CODE 749259021 - VERSION (01)
9.00825	06	4 SPOOL VALVE ON - OFF - OPTIONAL CODE 749259021 - VERSION (01)
9.00825	07	4 SPOOL VALVE ON - OFF - OPTIONAL CODE 749259021 - VERSION (01)
9.00825	08	4 SPOOL VALVE ON - OFF - OPTIONAL CODE 749259021 - VERSION (01)
9.00825A	01	4 SPOOL VALVE ON - OFF - OPTIONAL CODE 749259001 - VERSION (02)
9.00825A	02	4 SPOOL VALVE ON - OFF - OPTIONAL CODE 749259001 - VERSION (02)
9.00854	01	CLOTH-LINED SEAT WITH MECHANICAL SUSPENSION - OPTIONAL CODE 749167001
9.00854	02	CLOTH-LINED SEAT WITH MECHANICAL SUSPENSION - OPTIONAL CODE 749167001
9.00854	03	CLOTH-LINED SEAT WITH MECHANICAL SUSPENSION - OPTIONAL CODE 749167001
9.00855	01	CLOTH-LINED SEAT WITH MECHANICAL SUSPENSION - OPTIONAL CODE 749007031

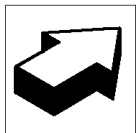
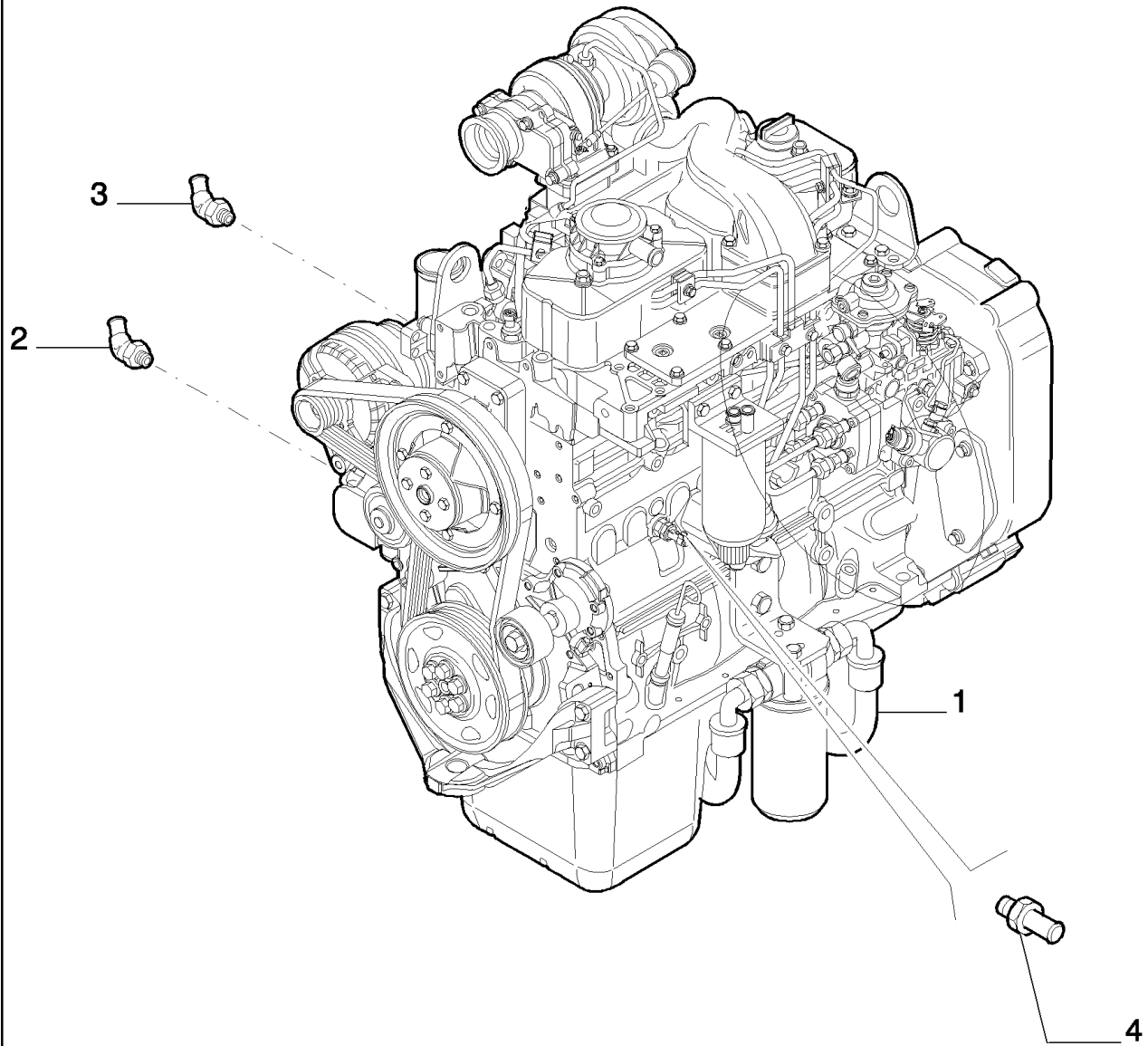
TABLE OF CONTENTS

9.00855	02	CLOTH-LINED SEAT WITH MECHANICAL SUSPENSION - OPTIONAL CODE 749007031
9.00855	03	CLOTH-LINED SEAT WITH MECHANICAL SUSPENSION - OPTIONAL CODE 749007031
9.00882	01	4.0 TON FORK HOOK - OPTIONAL CODE 749070001
9.00884	01	TOW HOOK - REAR - OPTIONAL CODE 749117041
9.00978	01	SAFETY PLATES (ITALIAN) - OPTIONAL CODE 749101031
9.00978	02	SAFETY PLATES (ITALIAN) - OPTIONAL CODE 749101031
9.00978	03	SAFETY PLATES (ITALIAN) - OPTIONAL CODE 749101031
9.00980	01	SAFETY PLATES (ENGLISH) - OPTIONAL CODE 749097031
9.00980	02	SAFETY PLATES (ENGLISH) - OPTIONAL CODE 749097031
9.00980	03	SAFETY PLATES (ENGLISH) - OPTIONAL CODE 749097031
9.00981	01	SAFETY PLATES (GERMAN) - OPTIONAL CODE 749102031
9.00981	02	SAFETY PLATES (GERMAN) - OPTIONAL CODE 749102031
9.00981	03	SAFETY PLATES (GERMAN) - OPTIONAL CODE 749102031
9.00982	01	SAFETY PLATES (FRENCH) - OPTIONAL CODE 749100031
9.00982	02	SAFETY PLATES (FRENCH) - OPTIONAL CODE 749100031
9.00982	03	SAFETY PLATES (FRENCH) - OPTIONAL CODE 749100031
9.00986	01	SAFETY PLATES (PORTUGUESE) - OPTIONAL CODE 749099031
9.00986	02	SAFETY PLATES (PORTUGUESE) - OPTIONAL CODE 749099031
9.00986	03	SAFETY PLATES (PORTUGUESE) - OPTIONAL CODE 749099031
9.00987	01	SAFETY PLATES (SPANISH) - OPTIONAL CODE 749098031
9.00987	02	SAFETY PLATES (SPANISH) - OPTIONAL CONE 749098031
9.00987	03	SAFETY PLATES (SPANISH) - OPTIONAL CODE 749098031
9.01132	01	FEM FORK GUARD - OPTIONAL CODE 749138001
9.01133	01	FLOATING FORK GUARD - OPTIONAL CODE 749139001
9.01278	01	FRONT EQUIPMENT PIPING - OPTIONAL CODE 749078021
9.01292	01	FLOATING FORK 100X50X1200 MM - OPTIONAL CODE 749182001
9.01983	01	SAFETY PLATES (DANISH) - OPTIONAL CODE 749103011
9.01983	02	SAFETY PLATES (DANISH) - OPTIONAL CODE 749103011
9.01983	03	SAFETY PLATES (DANISH) - OPTIONAL CODE 749103011
9.01983A	01	SAFETY PLATES (DANISH) - OPTIONAL CODE 749103001
9.01983A	02	SAFETY PLATES (DANISH) - OPTIONAL CODE 749103001
9.01983A	03	SAFETY PLATES (DANISH) - OPTIONAL CODE 749103001
9.01984	01	SAFETY PLATES (DUTCH) - OPTIONAL CODE 749104011
9.01984	02	SAFETY PLATES (DUTCH) - OPTIONAL CODE 749104011
9.01984	03	SAFETY PLATES (DUTCH) - OPTIONAL CODE 749104011
9.01984A	01	SAFETY PLATES (DUTCH) - OPTIONAL CODE 749104001
9.01984A	02	SAFETY PLATES (DUTCH) - OPTIONAL CODE 749104001
9.01984A	03	SAFETY PLATES (DUTCH) - OPTIONAL CODE 749104001
9.01985	01	SAFETY PLATES (CZECH) - OPTIONAL CODE 749248001
9.01985	02	SAFETY PLATES (CZECH) - OPTIONAL CODE 749248001
9.01985	03	SAFETY PLATES (CZECH) - OPTIONAL CODE 749248001
9.02171	01	SUN SCREEN CURTAIN - OPTIONAL CODE 749042001
9.03703	01	WHEELS - 405/70X24 - OPTIONAL CODE 857404611
9.03703	02	WHEELS - 405/70X24 - OPTIONAL CODE 857404611
9.03704	01	WHEELS - 15R22,5 RADIAL - OPTIONAL CODE 857153031
9.03704	02	WHEELS - 15R22,5 RADIAL - OPTIONAL CODE 857153031
9.03705	01	WHEELS - 400/80X24 - OPTIONAL CODE 857403431
9.03705	02	WHEELS - 400/80X24 - OPTIONAL CODE 857403431
9.09101	01	CYCLONE PRE-FILTER - OPTIONAL CODE 749142001
9.10182	01	WINDSHIELD GUARD GRILL - OPTIONAL CODE 749041001
9.50085	01	BATTERY 95 AH - OPTIONAL CODE 861105031
9.50085/A	01	DOUBLE BATTERY 95H - OPTIONAL CODE 861150041
9.50165	01	FLOATING FORK HOLDER - OPTIONAL CODE 749011001

TABLE OF CONTENTS

9.50166	01	FEM FORK HOLDER - OPTIONAL CODE 749022001
9.50167	01	FEM FORK HOLDER L=1470 MM - OPTIONAL CODE 749053001
9.50168	01	FORK HOLDER FOR FLOATING FORKS L = 1470 MM - OPTIONAL CODE 749049001
9.50170	01	FORK HOLDER WITH SIDE TRAVEL L=1260 MM - OPTIONAL CODE 749056001
9.50170	02	FORK HOLDER WITH SIDE TRAVEL L=1260 MM - OPTIONAL CODE 749056001
9.50171	01	FORK HOLDER WITH SIDE TRAVEL L=1470 MM - OPTIONAL CODE 749057001
9.50171	02	FORK HOLDER WITH SIDE TRAVEL L=1470 MM - OPTIONAL CODE 749057001
9.50610	01	ROOF WIPER KIT - OPTIONAL CODE 749195041
9.50640	01	STEERING WHEEL KNOB ASSEMBLY - OPTIONAL CODE 749198001
9.80065	01	FEM FORK 150X50X1200 MM - OPTIONAL CODE 749025021
9.80089	01	REMOVABLE CRANE BOOM L=3000 MM - OPTIONAL CODE 749120001
9.80092	01	TELESCOPIC ARM FOR 4 FUNCTIONS (11MT) - OPTIONAL CODE 749027331
9.80092	02	TELESCOPIC ARM FOR 4 FUNCTIONS (11MT) - OPTIONAL CODE 749027331
9.80092	03	ARM FOR 4 FUNCTIONS (11MT) - OPTIONAL CODE 749027331
9.80092	04	ARM FOR 4 FUNCTIONS (11MT) - OPTIONAL CODE 749027331
9.80092	05	ARM FOR 4 FUNCTIONS (11MT) - OPTIONAL CODE 749027331
9.80092	06	ARM FOR 4 FUNCTIONS (11MT) - OPTIONAL CODE 749027331
9.80092	07	ARM FOR 4 FUNCTIONS (11MT) - OPTIONAL CODE 749027331
9.80092	08	ARM FOR 4 FUNCTIONS (11MT) - OPTIONAL CODE 749027331
9.80092	09	ARM FOR 4 FUNCTIONS (11MT) - OPTIONAL CODE 749027331
9.80092	10	ARM FOR 4 FUNCTIONS (11MT) - OPTIONAL CODE 749027331
9.80092B	01	TELESCOPIC ARM FOR 4 FUNCTIONS (7MT) - OPTIONAL CODE 749027321
9.80092B	02	ARM FOR 4 FUNCTIONS (7MT) - OPTIONAL CODE 749027321
9.80092B	03	ARM FOR 4 FUNCTIONS (7MT) - OPTIONAL CODE 749027321
9.80092B	04	ARM FOR 4 FUNCTIONS (7MT) - OPTIONAL CODE 749027321
9.80092B	05	ARM FOR 4 FUNCTIONS (7MT) - OPTIONAL CODE 749027321
9.80092B	06	ARM FOR 4 FUNCTIONS (7MT) - OPTIONAL CODE 749027321
9.80092B	07	ARM FOR 4 FUNCTIONS (7MT) - OPTIONAL CODE 749027321
9.80092B	08	ARM FOR 4 FUNCTIONS (7MT) - OPTIONAL CODE 749027321
9.80253	01	0.8 CU M BUCKET W/HOOKING AND W/OUT TEETH - OPTIONAL CODE 749013001
9.80254	01	0,6 CU M BUCKET W/HOOKING AND W/OUT TEETH - OPTIONAL CODE 749014001
9.81130	01	MECHANICAL QUICK HOOKER - OPTIONAL CODE 749009041
9.81131	01	HYDRAULIC QUICK COUPLING - OPTIONAL CODE 749124021
9.81131	02	HYDRAULIC QUICK COUPLING - COMPONENTS - OPTIONAL CODE 749124021
9.82056	01	1.2 CU M BUCKET W/HOOKING AND W/OUT TEETH - OPTIONAL CODE 749063001

ENGINE
MOTOR
MOTEUR
MOTOR



MOTORE
MOTOR
MOTOR
MOTOR

R	N	P.N.	MOD	Q	Description Descrizione	Bezeichnung Beskrivelse	Description Denominação	Denominacion Beschrijving	L.C.
1		504114024		1	ENGINE, TC74KW MOTORE	MOTOR MOTOR	MOTEUR MOTOR	MOTOR MOTOR	130M
2		76088006		1	CONNECTOR, HYD. RACCORDO IDRAULICO	HYDRAULIKKUPPLUNG FORSKRUNING	RACCORD CONECTOR	RACOR VERBINDING	020R
4		87311959		1	CONNECTOR, HYD. RACCORDO IDRAULICO	HYDRAULIKKUPPLUNG FORSKRUNING	RACCORD CONECTOR	RACOR VERBINDING	020R

LM1133 LM732

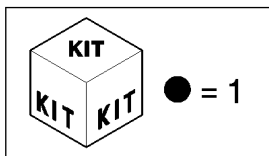
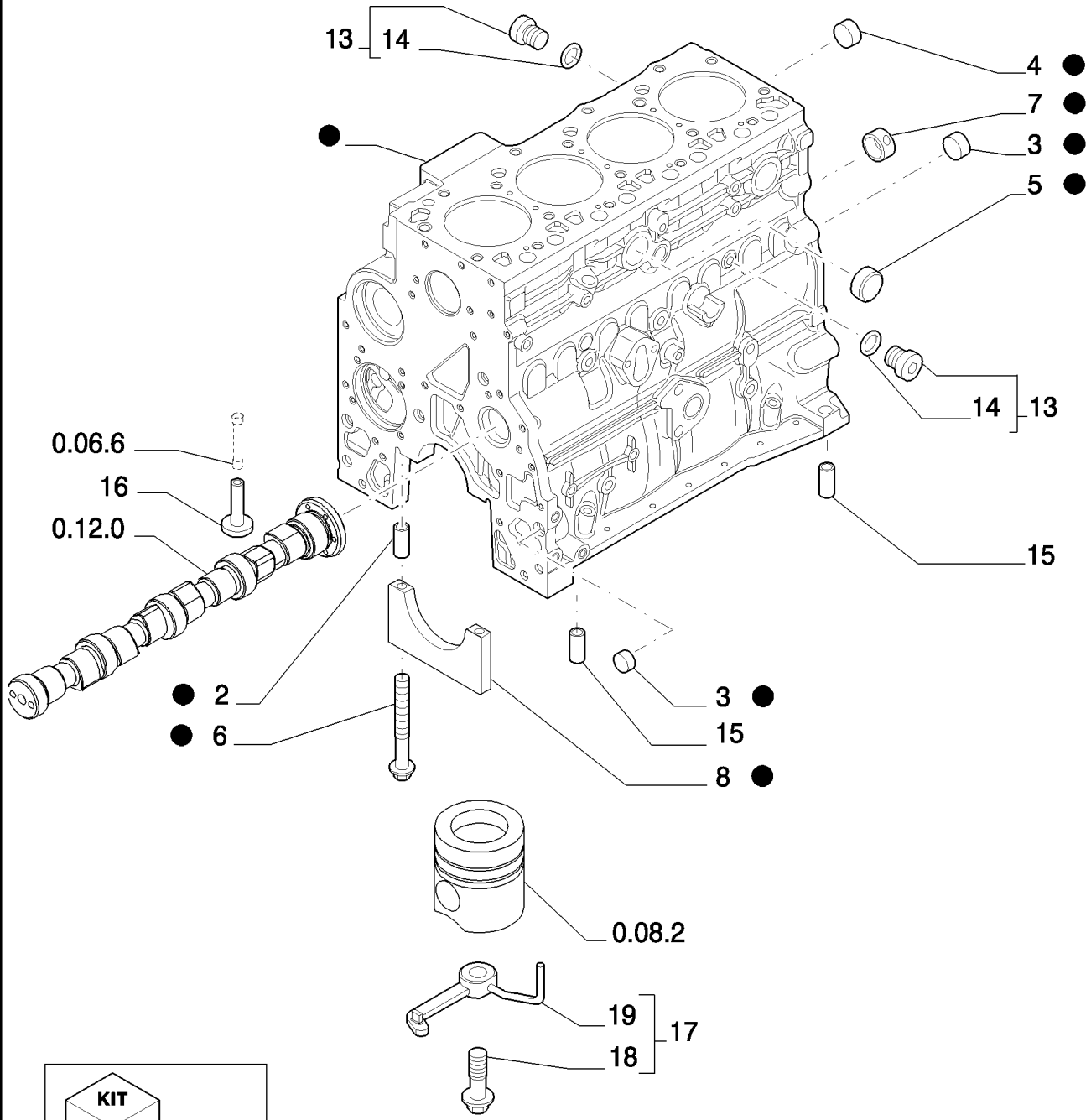
0.04.0

01

p1

07/07

CRANKCASE
KURBELGEHAUSE
BLOC CYLINDRE
BLOQUE CILINDROS

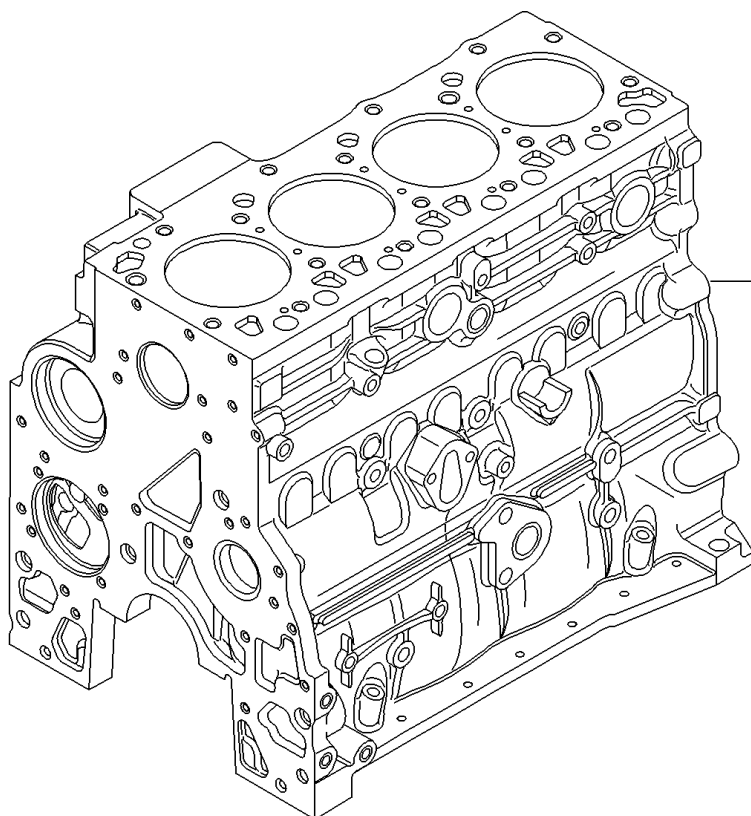


**BASAMENTO MOTORE
MOTORBLOK
BASE MOTOR
MOTORBLOK**

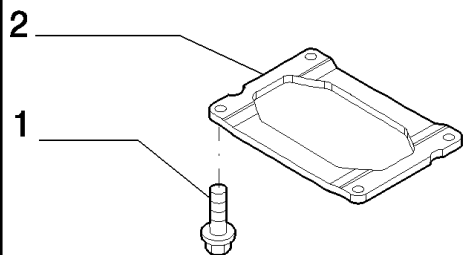
R	N	P.N.	MOD	Q	Description Descrizione	Bezeichnung Beskrivelse	Description Denominação	Denominacion Beschrijving	L.C.
1		2830083		1	CYLINDER BLOCK, - ASSY - 71KW BASAMENTO MOTORE	KURBELGEHAEUSE KRUMTAPHUS	BLOC MOTEUR BLOCO DE MOTOR	BLOQUE DE CILINDROS MOTORBLOK	020B
2		4899026		10	DOWEL GRANO	ZENTRIERBOLZEN DYVEL	PION GUIA	PITON STEL PEN	090G
3		4895039		3	PLUG TAPPO	STOPFEN PROP	BOUCHON BUJAO	TAPÓN PLUG	050T
4		4895038		4	PLUG TAPPO	STOPFEN PROP	BOUCHON BUJAO	TAPÓN PLUG	050T
5		4895228		2	PLUG TAPPO	STOPFEN PROP	BOUCHON BUJAO	TAPÓN PLUG	050T
6		4891353		10	SCREW, Flg Hd, M12 x 1.5 x 120 VITE	SCHRAUBE SKRUE	VIS PARAFUSO	TORNILLO SCHROEF	040V
7		4895040		1	BUSHING BOCCOLA	BUECHSE BOESNING	BAGUE CASQUILHO	CASQUILLO LAGERBUS	095B
8		4895919		4	BEARING, CRANKSHAFT CUSCIN. (ALB A GOM)	KURBELWELLENLAGER KEGLEAKSEL	COUSSINET VILEBREQL CASQUILHO VIRABREQL	PIÑÓN CÓNICO BEARING, CRANKSHAFT	P110
8		4895921		1	BEARING, CRANKSHAFT CUSCIN. (ALB A GOM)	KURBELWELLENLAGER KEGLEAKSEL	COUSSINET VILEBREQL CASQUILHO VIRABREQL	PIÑÓN CÓNICO BEARING, CRANKSHAFT	P110
13		4895392		2	PLUG, - ASSY TAPPO	STOPFEN PROP	BOUCHON BUJAO	TAPÓN PLUG	050T
14		4895393		2	O-RING ANELLO TOROIDALE	O-RING O-RING	JOINT THORIQUE O-RING	JUNTA HERMETICA O-RING	055A
15		4895049		2	DOWEL GRANO	ZENTRIERBOLZEN DYVEL	PION GUIA	PITON STEL PEN	090G
16		4895180		8	TAPPET PUNTERIA	STÖSSELEINSTELLSCHIF VENTILLOEFTER	POUSSOIR IMPULSOR	EMPUJADOR LAGER, ROL	240P
17		2852202		4	NOZZLE, LUB. OIL JET, - ASSY - VERSION (02) UGELLO	DUESE DYSE	GICLEUR PULVERIZADOR	TOBERA VERSTUIVER	020U
18		4894218		1	SCREW VITE	SCHRAUBE SKRUE	VIS PARAFUSO	TORNILLO SCHROEF	040V
19		2852203		1	NOZZLE, LUB. OIL JET UGELLO	DUESE DYSE	GICLEUR PULVERIZADOR	TOBERA VERSTUIVER	020U

LM1133 LM732

CRANKCASE
KURBELGEHAUSE
BLOC CYLINDRE
BLOQUE CILINDROS



PAG.1



BUY NOW

**Then Instant Download
the Complete Manual
Thank you very much!**