

# PARTS CATALOG

## Product Line

**Model LM1340 TURBO**

**Model LM1343 TURBO**

**Model LM1345 TURBO**

**Model LM1443 TURBO**

**Model LM1445 TURBO**

**Model LM1745 TURBO**

**CATALOGO PARTI  
DI RICAMBIO**

**CATALOGUE DES PIECES  
DETACHEES**

**ERSATZTEILKATALOG**

**CATÁLOGO DES PIEZAS  
DE REPUESTO**

**CATÁLOGO DE PEÇAS  
SOBRESSALENTES**

**ONDERDELENLIJST**

**RESERVEDELSKATALOG**

**CATALOGUE n. 604.04.312.00**  
1<sup>st</sup> Edition 04 - 2005

 **NEW HOLLAND**

---

# TABLE OF CONTENTS

---

0.02.1	01	ENGINE
0.04.0	01	CRANKCASE
0.04.0	02	CRANKCASE - VERSION (03-04)
0.04.0	03	CRANKCASE
0.04.2	01	ENGINE OIL SUMP
0.04.3	01	CRANKCASE COVERS
0.04.3	02	CRANKCASE COVERS
0.04.3	03	CRANKCASE COVERS
0.04.5	01	BREATHER - ENGINE
0.06.0	01	CYLINDER HEAD
0.06.3	01	CYLINDER HEAD COVERS
0.06.6	01	ROCKER SHAFT
0.07.1	01	INTAKE MANIFOLD - VERSION (01-02)
0.07.7	01	EXHAUST MANIFOLD
0.08.0	01	CRANKSHAFT
0.08.1	01	CONNECTING ROD
0.08.2	01	PISTON - ENGINE
0.08.3	01	FLYWHEEL - ENGINE
0.08.4	01	PULLEY - CRANKSHAFT
0.12.0	01	CAMSHAFT - TIMING CONTROL
0.14.0	01	INJECTION PUMP
0.14.0	02	INJECTION EQUIPMENT - INJECTOR
0.14.2	01	INJECTION PUMP - CONTROL
0.14.9	01	INJECTION EQUIPMENT - PIPING
0.20.0	01	FUEL FILTER
0.20.1	01	FUEL PUMP
0.20.3	01	PIPING - FUEL - VERSION (01-02)
0.20.4	01	INJECTION EQUIPMENT - PIPING
0.24.0	01	TURBOCHARGER
0.27.0	01	ENGINE OIL DIPSTICK
0.30.0	01	OIL PUMP - ENGINE
0.30.2	01	OIL FILTERS - ENGINE
0.30.5	01	PIPING - ENGINE OIL
0.31.5	01	HEAT EXCHANGER - ENGINE
0.32.0	01	WATER PUMP
0.32.3	01	PIPING - ENGINE COOLING SYSTEM
0.32.6	01	THERMOSTAT - ENGINE COOLING SYSTEM
0.34.0	01	WATER PUMP - CONTROL
0.34.5	01	FAN DRIVE
0.36.0	01	STARTER MOTOR
0.40.0	01	ALTERNATOR
0.40.0	02	ALTERNATOR (504010576)
0.45.0	01	HOOKS - ENGINE
1.10.1	01	THROTTLE CONTROL
1.10.3	01	MAIN HYDRAULIC CONTROL
1.11.1	01	LIFT CYLINDER
1.11.1	02	LIFT CYLINDER - COMPONENTS
1.11.2	01	COMPENSATION CYLINDER
1.11.2	02	COMPENSATION CYLINDER - COMPONENTS
1.15.0	01	EXHAUST SILENCER
1.17.0	01	ENGINE COOLING
1.17.0	02	ENGINE COOLING
1.17.0	03	ENGINE COOLING
1.17.0	04	ENGINE COOLING
1.17.0	05	ENGINE COOLING

---

# TABLE OF CONTENTS

---

1.19.1	01	AIR CLEANER
1.19.1	02	AIR CLEANER
1.21.5	01	MAIN FRAME - VERSION (01-04)
1.21.5/A	01	MAIN FRAME
1.21.5/B	01	MAIN FRAME
1.21.5/C	01	MAIN FRAME
1.21.7	01	COUNTERWEIGHT
1.21.7/A	01	COUNTERWEIGHT
1.21.8A	01	STD STABILISER
1.21.8A	02	STD STABILISER - COMPONENTS
1.21.8B	01	NARROW STABILISERS
1.21.8B	02	NARROW STABILISERS
1.21.8B	03	NARROW STABILISERS - COMPONENTS
1.22.1	01	GRADING CYLINDER
1.22.1	02	GRADING CYLINDER - COMPONENTS
1.26.0	01	ENGINE AND TRANSMISSION SUPPORT
1.28.8	01	TRANSMISSION LUBRIFICATION SYSTEM
1.28.A	01	TRANSMISSION
1.28.A	02	TRANSMISSION - COMPONENTS
1.28.A	03	TRANSMISSION - COMPONENTS
1.28.A	04	TRANSMISSION - COMPONENTS
1.28.A	05	TRANSMISSION - COMPONENTS
1.28.A	06	TRANSMISSION - COMPONENTS
1.28.A	07	TRANSMISSION - COMPONENTS
1.28.A	08	TRANSMISSION - COMPONENTS
1.28.A	09	TRANSMISSION - COMPONENTS
1.28.A	10	TRANSMISSION - COMPONENTS
1.28.A	11	TRANSMISSION - COMPONENTS
1.28.A	12	TRANSMISSION - COMPONENTS
1.28.A	13	TRANSMISSION - COMPONENTS
1.28.A	14	TRANSMISSION - COMPONENTS
1.28.A	15	TRANSMISSION - COMPONENTS
1.28.A	16	TRANSMISSION - COMPONENTS
1.38.A	01	DRIVE SHAFTS
1.44.0	01	REAR AXLE
1.44.0	02	REAR AXLE - COMPONENTS
1.44.0	03	REDUCTION - REAR AXLE
1.44.0	04	DIFFERENTIAL - REAR AXLE
1.44.0	05	BRAKE DISCS - REAR AXLE
1.44.0	06	STEERING SYSTEM - REAR AXLE
1.44.0	07	REAR AXLE - SUPPORT
1.44.3	01	REAR AXLE LOCK
1.44.3	02	REAR AXLE LOCK - COMPONENTS
1.63.0	01	STEERING SYSTEM
1.63.1	01	HYDRAULIC CIRCUIT, STEERING SYSTEM
1.65.0	01	BRAKE SYSTEM
1.65.0/A	01	BRAKE SYSTEM
1.65.A	01	PARKING BRAKE
1.75.1	01	ELECTRIC COMPONENTS
1.75.2	01	ELECTRIC COMPONENTS
1.75.2	02	ELECTRIC COMPONENTS
1.75.2	03	ELECTRIC COMPONENTS
1.75.2	04	ELECTRIC COMPONENTS
1.75.6A	01	NARROW STABILIZER FRONT HEADLAMP SUPPORTS
1.75.6B	01	STANDARD STABILIZER FRONT HEADLAMP SUPPORTS - VERSION (01-04-06)

---

## TABLE OF CONTENTS

---

1.82.0	01	FUEL AND OIL TANK
1.82.0	02	FUEL AND OIL TANK - COMPONENTS
1.82.3	01	HYDRAULIC PUMP
1.82.6	01	HYDRAULIC SYSTEM PIPING
1.82.6	02	HYDRAULIC SYSTEM PIPING
1.82.6	03	HYDRAULIC SYSTEM PIPING
1.82.6	04	HYDRAULIC SYSTEM PIPING
1.83.0	01	HOODS
1.86.2	01	RIGHT REAR VIEW MIRROR
1.92.3	01	TIP-OVER PREVENTION INDICATOR
1.98.2	01	TRADE MARKS
1.98.2/A	01	TRADE MARKS
1.98.2/B	01	TRADE MARKS
1.98.2/C	01	TRADE MARKS
1.98.2/D	01	TRADE MARKS
1.98.2/E	01	TRADE MARKS
1.98.A	01	DECALS
1.98.A	02	DECALS
9.00000	01	POWER SOCKET WITH REEL - OPTIONAL CODE 749087011
9.00068	01	FORK FOR TRUNK - OPTIONAL CODE 749058001
9.00068	02	FORK FOR TRUNK - COMPONENTS - OPTIONAL CODE 749058001
9.00068	03	FORK FOR TRUNK - COMPONENTS - OPTIONAL CODE 749058001
9.00074	01	BUCKET W/HOOKING AND WELDED TEETH 1,2 MC - OPTIONAL CODE 749062001
9.00074	02	BUCKET W/HOOKING AND WELDED TEETH 0,8MC - OPTIONAL CODE 749064001
9.00075	01	BUCKET 4 IN 1 - 0,8 MC - OPTIONAL CODE 749066001
9.00075	02	BUCKET 4 IN 1 - 0,8 MC - COMPONENTS - OPTIONAL CODE 749066001
9.00091	01	BUCKET TEETH GUARD - OPTIONAL CODE 749136001
9.00094	01	BUCKET TEETH GUARD FOR TUV - OPTIONAL CODE 749143001
9.00106	01	PREARRANGING PEOPLE CARRIER PLATFORM - OPTIONAL CODE 749146001
9.00106	02	PREARRANGING PEOPLE CARRIER PLATFORM - OPTIONAL CODE 749146001
9.00106	03	PREARRANGING PEOPLE CARRIER PLATFORM - OPTIONAL CODE 749146001
9.00106	04	PREARRANGING PEOPLE CARRIER PLATFORM - OPTIONAL CODE 749146001
9.00106/A	01	PREARRANGING PEOPLE CARRIER PLATFORM (WITHOUT RADIO CONTROL) - OPTIONAL CODE 749184001
9.00106/A	02	PREARRANGING PEOPLE CARRIER PLATFORM (WITHOUT RADIO CONTROL) - OPTIONAL CODE 749184001
9.00106/A	03	PREARRANGING PEOPLE CARRIER PLATFORM (WITHOUT RADIO CONTROL) - OPTIONAL CODE 749184001
9.00106/A	04	PREARRANGING PEOPLE CARRIER PLATFORM (WITHOUT RADIO CONTROL) - OPTIONAL CODE 749184001
9.00115	01	RAIN PROTECTION - OPTIONAL CODE 749141001
9.00189	01	FORK EXTENSION L=2000 MM - OPTIONAL CODE 749059001
9.00199	01	FORK EXTENSION L=2500 MM - OPTIONAL CODE 749061001
9.00204	01	COLD START-UP - OPTIONAL CODE 749079001
9.00325	01	WHEEL BLOCKING - OPTIONAL CODE 749088001
9.00330	01	EUROPE APPROVAL - OPTIONAL CODE 749029001
9.00333	01	40 KM/H TUV APPROVAL - OPTIONAL CODE 749127011
9.00333	02	40 KM/H TUV APPROVAL - OPTIONAL CODE 749127011
9.00333	03	40 KM/H TUV APPROVAL - OPTIONAL CODE 749127011
9.00335	01	20 KM/H TUV GERMANY APPROVAL - OPTIONAL CODE 749129011
9.00335	02	20 KM/H TUV GERMANY APPROVAL - OPTIONAL CODE 749129011
9.00335	03	20 KM/H TUV GERMANY APPROVAL - OPTIONAL CODE 749129011
9.00342	01	FRANCE APPROVAL - OPTIONAL CODE 749028011
9.00342	02	FRANCE APPROVAL - OPTIONAL CODE 749028011
9.00381	01	BUCKET TEETH KIT - OPTIONAL CODE 748125001

---

## TABLE OF CONTENTS

---

9.00447	01	LSD FRONT AXLE - OPTIONAL CODE 749081021
9.00447	02	LSD FRONT AXLE - COMPONENTS - OPTIONAL CODE 749081021
9.00447	03	REDUCTION - LSD FRONT AXLE - OPTIONAL CODE 749081021
9.00447	04	DIFFERENTIAL - LSD FRONT AXLE - OPTIONAL CODE 749081021
9.00447	05	BRAKE DISCS - LSD FRONT AXLE - OPTIONAL CODE 749081021
9.00447	06	STEERING SYSTEM - LSD FRONT AXLE - OPTIONAL CODE 749081031
9.00447	07	LSD FRONT AXLE - SUPPORT - OPTIONAL CODE 749081021
9.00447/A	01	LSD FRONT AXLE - OPTIONAL CODE 749081031
9.00447/A	02	LSD FRONT AXLE - COMPONENTS - OPTIONAL CODE 749081031
9.00447/A	03	REDUCTION - LSD FRONT AXLE - OPTIONAL CODE 749081031
9.00447/A	04	DIFFERENTIAL - LSD FRONT AXLE - OPTIONAL CODE 749081031
9.00447/A	05	BRAKE DISCS - LSD FRONT AXLE - OPTIONAL CODE 749081031
9.00447/A	06	STEERING SYSTEM - LSD FRONT AXLE - OPTIONAL CODE 749081031
9.00447/A	07	LSD FRONT AXLE - SUPPORT - OPTIONAL CODE 749081031
9.00448	01	FRONT AXLE - OPTIONAL CODE 749082021
9.00448	02	FRONT AXLE - COMPONENTS - OPTIONAL CODE 749082021
9.00448	03	REDUCTION - FRONT AXLE - OPTIONAL CODE 749082021
9.00448	04	DIFFERENTIAL - FRONT AXLE - OPTIONAL CODE 749082021
9.00448	05	BRAKE DISCS - FRONT AXLE - OPTIONAL CODE 749082021
9.00448	06	STEERING SYSTEM - FRONT AXLE - OPTIONAL CODE 749082021
9.00448	07	FRONT AXLE - SUPPORT - OPTIONAL CODE 749082021
9.00448/A	01	FRONT AXLE - OPTIONAL CODE 749082031
9.00448/A	02	FRONT AXLE - COMPONENTS - OPTIONAL CODE 749082031
9.00448/A	03	REDUCTION - FRONT AXLE - OPTIONAL CODE 749082031
9.00448/A	04	DIFFERENTIAL - FRONT AXLE - OPTIONAL CODE 749082031
9.00448/A	05	BRAKE DISCS - FRONT AXLE - OPTIONAL CODE 749082031
9.00448/A	06	STEERING SYSTEM - FRONT AXLE - OPTIONAL CODE 749082031
9.00448/A	07	FRONT AXLE - SUPPORT - OPTIONAL CODE 749082031
9.00485	01	CAPACITOR GUARD - OPTIONAL CODE 749160011
9.00581	01	ROPS CAB WITH CONDITIONER (DOUBLE DOOR) - OPTIONAL CODE 749159031
9.00581	02	ROPS CAB WITH CONDITIONER - COMPONENTS - OPTIONAL CODE 749159031
9.00581	03	ROPS CAB WITH CONDITIONER - COMPONENTS - OPTIONAL CODE 749159031
9.00581	04	ROPS CAB WITH CONDITIONER - COMPONENTS - OPTIONAL CODE 749159031
9.00581	05	ROPS CAB WITH CONDITIONER - COMPONENTS - OPTIONAL CODE 749159031
9.00581	06	ROPS CAB WITH CONDITIONER - COMPONENTS - OPTIONAL CODE 749159031
9.00581	07	ROPS CAB WITH CONDITIONER - COMPONENTS - OPTIONAL CODE 749159031
9.00581	08	ROPS CAB WITH CONDITIONER - COMPONENTS - OPTIONAL CODE 749159031
9.00581	09	ROPS CAB - COMPONENTS - OPTIONAL CODE 749159031
9.00581	10	ROPS CAB - COMPONENTS - OPTIONAL CODE 749159031
9.00589	01	ROPS CAB (DOUBLE DOOR) - OPTIONAL CODE 749158031
9.00589	02	ROPS CAB - COMPONENTS - OPTIONAL CODE 749158031
9.00589	03	ROPS CAB - COMPONENTS - OPTIONAL CODE 749158031
9.00589	04	ROPS CAB - COMPONENTS - OPTIONAL CODE 749158031
9.00589	05	ROPS CAB - COMPONENTS - OPTIONAL CODE 749158031
9.00589	06	ROPS CAB - COMPONENTS - OPTIONAL CODE 749158031
9.00589	07	ROPS CAB - COMPONENTS - OPTIONAL CODE 749158031
9.00589	08	ROPS CAB - COMPONENTS - OPTIONAL CODE 749158031
9.00589	09	ROPS CAB - COMPONENTS - OPTIONAL CODE 749158031
9.00589	10	ROPS CAB - COMPONENTS - OPTIONAL CODE 749158031
9.00589	11	ROPS CAB - COMPONENTS - OPTIONAL CODE 749158031
9.00589	12	ROPS CAB - COMPONENTS - OPTIONAL CODE 749158031
9.00589	13	ROPS CAB - COMPONENTS - OPTIONAL CODE 749158031
9.00589	14	ROPS CAB - COMPONENTS - OPTIONAL CODE 749158031
9.00589	15	ROPS CAB - COMPONENTS - OPTIONAL CODE 749158031
9.00589	16	ROPS CAB - COMPONENTS - OPTIONAL CODE 749158031

---

## TABLE OF CONTENTS

---

9.00589	17	ROPS CAB - COMPONENTS - OPTIONAL CODE 749158031
9.00589	18	ROPS CAB - COMPONENTS - OPTIONAL CODE 749158031
9.00589	19	ROPS CAB - COMPONENTS - OPTIONAL CODE 749158031
9.00589	20	ROPS CAB - COMPONENTS - OPTIONAL CODE 749158031
9.00589	21	ROPS CAB - COMPONENTS - OPTIONAL CODE 749158031
9.00589	22	ROPS CAB - COMPONENTS - OPTIONAL CODE 749158031
9.00589	23	ROPS CAB - COMPONENTS - OPTIONAL CODE 749158031
9.00589	24	ROPS CAB - COMPONENTS - OPTIONAL CODE 749158031
9.00589	25	ROPS CAB - COMPONENTS - OPTIONAL CODE 749158031
9.00589	26	ROPS CAB - COMPONENTS - OPTIONAL CODE 749158031
9.00589	27	ROPS CAB (DOUBLE DOOR) - COMPONENTS - OPTIONAL CODE 749158031
9.00589	28	ROPS CAB (DOUBLE DOOR) - COMPONENTS - OPTIONAL CODE 749158031
9.00589	29	ROPS CAB (DOUBLE DOOR) - COMPONENTS - OPTIONAL CODE 749158031
9.00601	01	REAR WINDSHIELD WIPER - OPTIONAL CODE 749145011
9.00619	01	ROTATING BEACON - OPTIONAL CODE 749006001
9.00728	01	HYDRAULIC QUICK COUPLING (JC) - OPTIONAL CODE 749147001
9.00729	01	HYDRAULIC QUICK COUPLING (MR) - OPTIONAL CODE 749149001
9.00730	01	HYDRAULIC QUICK COUPLING (MT) - OPTIONAL CODE 749148001
9.00772	01	BOOM WORK LIGHTS - OPTIONAL CODE 749086001
9.00773	01	FRONT WORK LIGHTS - OPTIONAL CODE 749036001
9.00778	01	REAR WORK LIGHTS - OPTIONAL CODE 749037021
9.00825	01	3 SPOOL VALVE - OPTIONAL CODE 749001011
9.00825	02	3 SPOOL VALVE - OPTIONAL CODE 749001011
9.00825	03	3 SPOOL VALVE - COMPONENTS- OPTIONAL CODE 749001011
9.00825	04	3 SPOOL VALVE - COMPONENTS- OPTIONAL CODE 749001011
9.00825	05	3 SPOOL VALVE - COMPONENTS- OPTIONAL CODE 749001011
9.00825	06	3 SPOOL VALVE - COMPONENTS- OPTIONAL CODE 749001011
9.00825	07	3 SPOOL VALVE - COMPONENTS- OPTIONAL CODE 749001011
9.00825	08	3 SPOOL VALVE - COMPONENTS- OPTIONAL CODE 749001011
9.00825	09	3 SPOOL VALVE - COMPONENTS- OPTIONAL CODE 749001011
9.00847	01	REVOLVING AIR PEOPLE CARRIER PLATFORM - OPTIONAL CODE 749074001
9.00847	02	REVOLVING AIR PEOPLE CARRIER PLATFORM - OPTIONAL CODE 749074001
9.00847	03	REVOLVING AIR PEOPLE CARRIER PLATFORM - OPTIONAL CODE 749074001
9.00847	04	REVOLVING AIR PEOPLE CARRIER PLATFORM - OPTIONAL CODE 749074001
9.00847	05	REVOLVING AIR PEOPLE CARRIER PLATFORM - OPTIONAL CODE 749074001
9.00848	01	0.3 TON FIXED AIR PEOPLE CARRIER PLATFORM - OPTIONAL CODE 749121001
9.00848	02	0.3 TON FIXED AIR PEOPLE CARRIER PLATFORM - OPTIONAL CODE 749121001
9.00848	03	0.3 TON FIXED AIR PEOPLE CARRIER PLATFORM - OPTIONAL CODE 749121001
9.00848	04	0.3 TON FIXED AIR PEOPLE CARRIER PLATFORM - OPTIONAL CODE 749121001
9.00848	05	0.3 TON FIXED AIR PEOPLE CARRIER PLATFORM - OPTIONAL CODE 749121001
9.00854	01	CLOTH-LINED SEAT WITH MECHANICAL SUSPENSION - OPTIONAL CODE 749007031
9.00882	01	4.0 TON FORK HOOK - OPTIONAL CODE 749070001
9.00884	01	TOW HOOK - REAR - OPTIONAL CODE 749117011
9.00978	01	SAFETY PLATES (ITALIAN) - OPTIONAL CODE 749101001
9.00978	02	SAFETY PLATES (ITALIAN) - OPTIONAL CODE 749101001
9.00978	03	SAFETY PLATES (ITALIAN) - OPTIONAL CODE 749101001
9.00980	01	SAFETY PLATES (ENGLISH) - OPTIONAL CODE 749097001
9.00980	02	SAFETY PLATES (ENGLISH) - OPTIONAL CODE 749097001
9.00980	03	SAFETY PLATES (ENGLISH) - OPTIONAL CODE 749097001
9.00981	01	SAFETY PLATES (GERMAN) - OPTIONAL CODE 749102001
9.00981	02	SAFETY PLATES (GERMAN) - OPTIONAL CODE 749102001
9.00981	03	SAFETY PLATES (GERMAN) - OPTIONAL CODE 749102001
9.00982	01	SAFETY PLATES (FRENCH) - OPTIONAL CODE 749100001
9.00982	02	SAFETY PLATES (FRENCH) - OPTIONAL CODE 749100001

---

## TABLE OF CONTENTS

---

9.00982	03	SAFETY PLATES (FRENCH) - OPTIONAL CODE 749100001
9.00986	01	SAFETY PLATES (PORTUGUESE) - OPTIONAL CODE 749099001
9.00986	02	SAFETY PLATES (PORTUGUESE) - OPTIONAL CODE 749099001
9.00986	03	SAFETY PLATES (PORTUGUESE) - OPTIONAL CODE 749099001
9.00987	01	SAFETY PLATES (SPANISH) - OPTIONAL CODE 749098001
9.00987	02	SAFETY PLATES (SPANISH) - OPTIONAL CODE 749098001
9.00987	03	SAFETY PLATES (SPANISH) - OPTIONAL CODE 749098001
9.01131	01	MIXER BUCKET GUARD - OPTIONAL CODE 749137001
9.01132	01	FEM FORK GUARD - OPTIONAL CODE 749138001
9.01133	01	FLOATING FORK GUARD - OPTIONAL CODE 749139001
9.01190	01	RAFT WITH 4.0 TON WINCH - OPTIONAL CODE 749118011
9.01190	02	RAFT WITH 4.0 TON WINCH - COMPONENTS - OPTIONAL CODE 749118011
9.01190	03	RAFT WITH 4.0 TON WINCH - COMPONENTS - OPTIONAL CODE 749118011
9.01191	01	RAFT WITH 4.0 TON HOOK - OPTIONAL CODE 749119001
9.01278	01	FRONT EQUIPMENT PIPING - OPTIONAL CODE 749078001
9.01292	01	FLOATING FORK 100X50X1200 MM - OPTIONAL CODE 749182001
9.01480	01	STABILISER POSITION CONTROL - OPTIONAL CODE 749190001
9.01760	01	FALCON WITH WINCH L= 4000 MM - OPTIONAL CODE 749112011
9.01760	02	FALCON WITH WINCH L= 4000 MM - COMPONENTS - OPTIONAL CODE 749112011
9.01760	03	FALCON WITH WINCH L= 4000 MM - COMPONENTS - OPTIONAL CODE 749112011
9.01761	01	FALCON WITH HYDRAULIC HOOK L = 3000 MM- OPTIONAL CODE 749072001
9.01761	02	FALCON WITH HYDRAULIC HOOK L=4000 MM - OPTIONAL CODE 749113001
9.01762	01	FALCON WITH WINCH L= 3000 MM - OPTIONAL CODE 749071011
9.01762	02	FALCON WITH WINCH L= 3000 MM - COMPONENTS - OPTIONAL CODE 749071011
9.01762	03	FALCON WITH WINCH L= 3000 MM - COMPONENTS - OPTIONAL CODE 749071011
9.01983	01	SAFETY PLATES (DANISH) - OPTIONAL CODE 749103001
9.01983	02	SAFETY PLATES (DANISH) - OPTIONAL CODE 749103001
9.01983	03	SAFETY PLATES (DANISH) - OPTIONAL CODE 749103001
9.01984	01	SAFETY PLATES (DUTCH) - OPTIONAL CODE 749104001
9.01984	02	SAFETY PLATES (DUTCH) - OPTIONAL CODE 749104001
9.01984	03	SAFETY PLATES (DUTCH) - OPTIONAL CODE 749104001
9.02171	01	SUN SCREEN CURTAIN - OPTIONAL CODE 749042001
9.03101	01	WHEELS - 15,5X25 RADIAL - OPTIONAL CODE 857152531
9.03101	02	WHEELS - 15,5X25 RADIAL - OPTIONAL CODE 857152531
9.03703	01	WHEELS - 405/70X24 - OPTIONAL CODE 857402431
9.03703	02	WHEELS - 405/70X24 - OPTIONAL CODE 857402431
9.03704	01	WHEELS - 15R22,5 RADIAL - OPTIONAL CODE 857153031
9.03704	02	WHEELS - 15R22,5 RADIAL - OPTIONAL CODE 857153031
9.03705	01	WHEELS - 400/80X24 - OPTIONAL CODE 857403431
9.03705	02	WHEELS - 400/80X24 - OPTIONAL CODE 857403431
9.03706	01	WHEELS - 13,00X24X14 - OPTIONAL CODE 857132431
9.03706	02	WHEELS - 13,00X24X14 - OPTIONAL CODE 857132431
9.08403	01	4 SPOOL VALVE - OPTIONAL CODE 749002011
9.08403	02	4 SPOOL VALVE - OPTIONAL CODE 749002011
9.08403	03	4 SPOOL VALVE - COMPONENTS- OPTIONAL CODE 749002011
9.08403	04	4 SPOOL VALVE - COMPONENTS- OPTIONAL CODE 749002011
9.08403	05	4 SPOOL VALVE - COMPONENTS- OPTIONAL CODE 749002011
9.08403	06	4 SPOOL VALVE - COMPONENTS- OPTIONAL CODE 749002011
9.08403	07	4 SPOOL VALVE - COMPONENTS- OPTIONAL CODE 749002011
9.08403	08	4 SPOOL VALVE - COMPONENTS- OPTIONAL CODE 749002011
9.08403	09	4 SPOOL VALVE - COMPONENTS- OPTIONAL CODE 749002011
9.08403	10	4 SPOOL VALVE - COMPONENTS- OPTIONAL CODE 749002011
9.09101	01	CYCLONE PRE-FILTER - OPTIONAL CODE 749142001
9.09114	01	REAR AXLE LOCK - OPTIONAL CODE 749161001
9.10182	01	WINDSHIELD GUARD GRILL - OPTIONAL CODE 749041001

---

## TABLE OF CONTENTS

---

9.50165	01	FLOATING FORK HOLDER - OPTIONAL CODE 749011001
9.50166	01	FEM FORK HOLDER - OPTIONAL CODE 749022001
9.50167	01	FEM FORK HOLDER L=1470 MM - OPTIONAL CODE 749053001
9.50168	01	FORK HOLDER FOR FLOATING FORKS L = 1470 MM - OPTIONAL CODE 749049001
9.50170	01	FORK HOLDER WITH SIDE TRAVEL L=1260 MM - OPTIONAL CODE 749056001
9.50170	02	FORK HOLDER WITH SIDE TRAVEL L=1470 MM - OPTIONAL CODE 749057001
9.50834	01	MATERIAL HANDLING BASKET - OPTIONAL CODE 749073001
9.80065	01	FEM FORK 150X50X1200 MM - OPTIONAL CODE 749025021
9.80084	01	0.5 CU M CONCRETE MIXER BUCKET- OPTIONAL CODE 749067011
9.80089	01	REMOVABLE CRANE BOOM L=3000 MM - OPTIONAL CODE 749120001
9.80092	01	ARM FOR 4 FUNCTIONS (12M) - OPTIONAL CODE 749027151
9.80092	02	ARM FOR 4 FUNCTIONS (12M) - OPTIONAL CODE 749027151
9.80092	03	ARM FOR 4 FUNCTIONS (12M) - OPTIONAL CODE 749027151
9.80092	04	ARM FOR 4 FUNCTIONS (12M) - OPTIONAL CODE 749027151
9.80092	05	ARM FOR 4 FUNCTIONS (12M) - OPTIONAL CODE 749027151
9.80092	06	ARM FOR 4 FUNCTIONS (12M) - OPTIONAL CODE 749027151
9.80092	07	ARM FOR 4 FUNCTIONS (12M) - OPTIONAL CODE 749027151
9.80092	08	ARM FOR 4 FUNCTIONS (12M) - OPTIONAL CODE 749027151
9.80092	09	ARM FOR 4 FUNCTIONS (12M) - OPTIONAL CODE 749027151
9.80092/A	01	ARM FOR 4 FUNCTIONS (14M) - OPTIONAL CODE 749027161
9.80092/A	02	ARM FOR 4 FUNCTIONS (14M) - OPTIONAL CODE 749027161
9.80092/A	03	ARM FOR 4 FUNCTIONS (14M) - OPTIONAL CODE 749027161
9.80092/A	04	ARM FOR 4 FUNCTIONS (14M) - OPTIONAL CODE 749027161
9.80092/A	05	ARM FOR 4 FUNCTIONS (14M) - OPTIONAL CODE 749027161
9.80092/A	06	ARM FOR 4 FUNCTIONS (14M) - OPTIONAL CODE 749027161
9.80092/A	07	ARM FOR 4 FUNCTIONS (14M) - OPTIONAL CODE 749027161
9.80092/A	08	ARM FOR 4 FUNCTIONS (14M) - OPTIONAL CODE 749027161
9.80092/B	01	ARM FOR 4 FUNCTIONS (16M) - OPTIONAL CODE 749027141
9.80092/B	02	ARM FOR 4 FUNCTIONS (16M) - OPTIONAL CODE 749027141
9.80092/B	03	ARM FOR 4 FUNCTIONS (16M) - OPTIONAL CODE 749027141
9.80092/B	04	ARM FOR 4 FUNCTIONS (16M) - OPTIONAL CODE 749027141
9.80092/B	05	ARM FOR 4 FUNCTIONS (16M) - OPTIONAL CODE 749027141
9.80092/B	06	ARM FOR 4 FUNCTIONS (16M) - OPTIONAL CODE 749027141
9.80092/B	07	ARM FOR 4 FUNCTIONS (16M) - OPTIONAL CODE 749027141
9.80092/B	08	ARM FOR 4 FUNCTIONS (16M) - OPTIONAL CODE 749027141
9.80092/B	09	ARM FOR 4 FUNCTIONS (16M) - OPTIONAL CODE 749027141
9.80092/B	10	ARM FOR 4 FUNCTIONS (16M) - OPTIONAL CODE 749027141
9.80092/B	11	ARM FOR 4 FUNCTIONS (16M) - OPTIONAL CODE 749027141
9.80092/B	12	ARM FOR 4 FUNCTIONS (16M) - OPTIONAL CODE 749027141
9.80093	01	ARM FOR 3 FUNCTIONS (12M) - OPTIONAL CODE 749060151
9.80093	02	ARM FOR 3 FUNCTIONS (12M) - OPTIONAL CODE 749060151
9.80093	03	ARM FOR 3 FUNCTIONS (12M) - OPTIONAL CODE 749060151
9.80093	04	ARM FOR 3 FUNCTIONS (12M) - OPTIONAL CODE 749060151
9.80093	05	ARM FOR 3 FUNCTIONS (12M) - OPTIONAL CODE 749060151
9.80093	06	ARM FOR 3 FUNCTIONS (12M) - OPTIONAL CODE 749060151
9.80093	07	ARM FOR 3 FUNCTIONS (12M) - OPTIONAL CODE 749060151
9.80093/A	01	ARM FOR 3 FUNCTIONS (14M) - OPTIONAL CODE 749060161
9.80093/A	02	ARM FOR 3 FUNCTIONS (14M) - OPTIONAL CODE 749060161
9.80093/A	03	ARM FOR 3 FUNCTIONS (14M) - OPTIONAL CODE 749060161
9.80093/A	04	ARM FOR 3 FUNCTIONS (14M) - OPTIONAL CODE 749060161
9.80093/A	05	ARM FOR 3 FUNCTIONS (14M) - OPTIONAL CODE 749060161
9.80093/A	06	ARM FOR 3 FUNCTIONS (14M) - OPTIONAL CODE 749060161
9.80093/A	07	ARM FOR 3 FUNCTIONS (14M) - OPTIONAL CODE 749060161
9.80093/B	01	ARM FOR 3 FUNCTIONS (16M) - OPTIONAL CODE 749060141
9.80093/B	02	ARM FOR 3 FUNCTIONS (16M) - OPTIONAL CODE 749060141



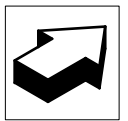
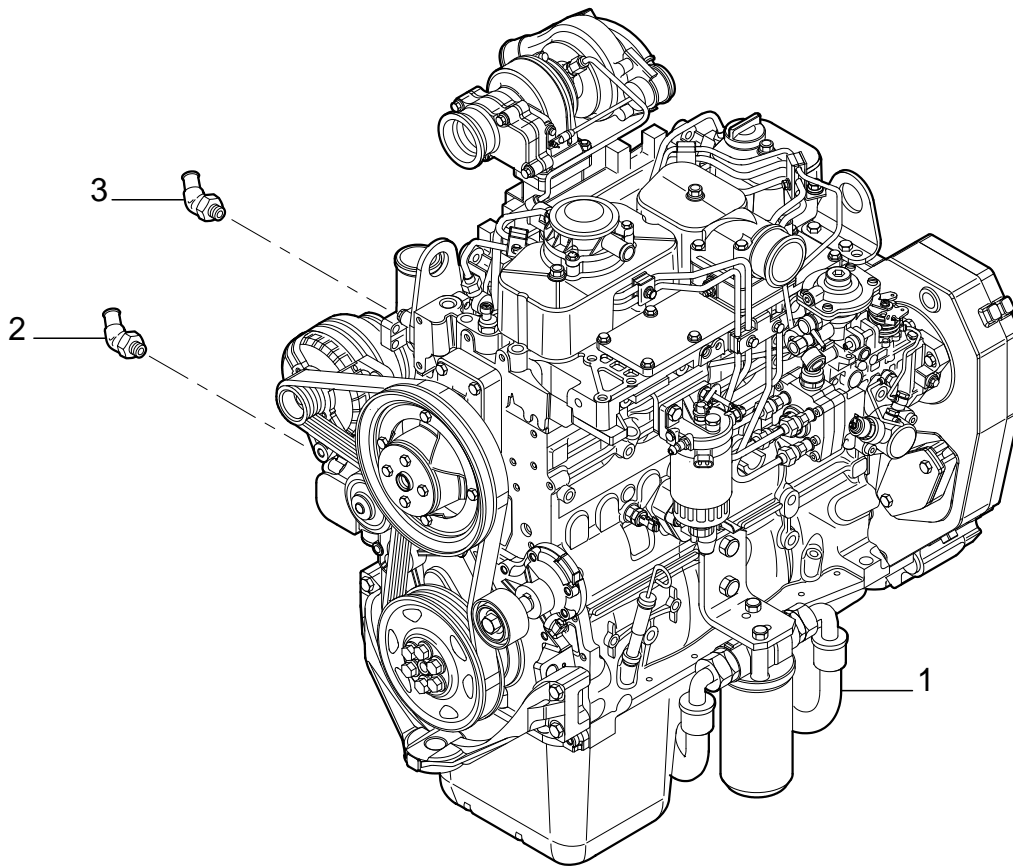
---

## TABLE OF CONTENTS

---

9.80093/B	03	ARM FOR 3 FUNCTIONS (16M) - OPTIONAL CODE 749060141
9.80093/B	04	ARM FOR 3 FUNCTIONS (16M) - OPTIONAL CODE 749060141
9.80093/B	05	ARM FOR 3 FUNCTIONS (16M) - OPTIONAL CODE 749060141
9.80093/B	06	ARM FOR 3 FUNCTIONS (16M) - OPTIONAL CODE 749060141
9.80093/B	07	ARM FOR 3 FUNCTIONS (16M) - OPTIONAL CODE 749060141
9.80093/B	08	ARM FOR 3 FUNCTIONS (16M) - OPTIONAL CODE 749060141
9.80093/B	09	ARM FOR 3 FUNCTIONS (16M) - OPTIONAL CODE 749060141
9.80093/B	10	ARM FOR 3 FUNCTIONS (16M) - OPTIONAL CODE 749060141
9.80253	01	0.8 CU M BUCKET W/HOOKING AND W/OUT TEETH - OPTIONAL CODE 749013001
9.80255	01	0.5 CU M CONCRETE BUCKET- OPTIONAL CODE 749069001
9.81126	01	MECHANICAL QUICK HOOKER (JC) - OPTIONAL CODE 749044001
9.81127	01	MECHANICAL QUICK HOOKER (MT) - OPTIONAL CODE 749046001
9.81128	01	MECHANICAL QUICK HOOKER (MR) - OPTIONAL CODE 749045001
9.81130	01	MECHANICAL QUICK HOOKER - OPTIONAL CODE 749009001
9.81131	01	HYDRAULIC QUICK COUPLING - OPTIONAL CODE 749124001
9.81131	02	HYDRAULIC QUICK COUPLING - COMPONENTS - OPTIONAL CODE 749124001
9.82056	01	1.2 CU M BUCKET W/HOOKING AND W/OUT TEETH - OPTIONAL CODE 749063001

ENGINE  
MOTORE  
MOTEUR  
MOTOR

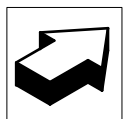
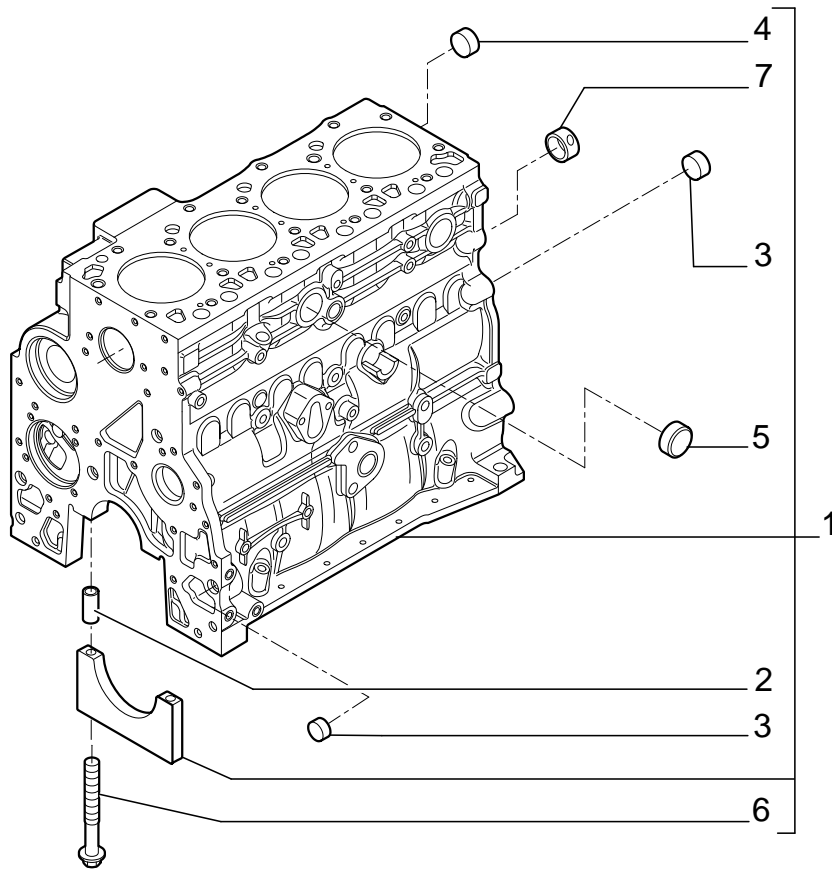


MOTOR  
MOTOR  
MOTOR  
MOTOR

R	N	P.N.	MOD	Q	Description Denominacion	Descrizione Denominação	Description Beschrijving	Bezeichnung Beskrivelse	L.C.
1		504091267		1	ENGINE - ASSY (F4GE0484G*D600)	MOTORE	MOTEUR	MOTOR	130M
					MOTOR	MOTOR	MOTOR	MOTOR	
2		76088006		1	CONNECTOR, HYD. RACOR	RACCORDO IDRAULICO CONECTOR	RACCORD VERBINDING	STUTZEN FORSKRUNING	020R
3		76088005		1	CONNECTOR, HYD. RACOR	RACCORDO IDRAULICO CONECTOR	RACCORD VERBINDING	STUTZEN FORSKRUNING	020R

LM1340 TURBO LM1343 TURBO  
LM1345 TURBO LM1443 TURBO  
LM1445 TURBO LM1745 TURBO

CRANKCASE  
BASAMENTO MOTORE  
BLOC CYLINDRE  
KURBELGEHAUSE

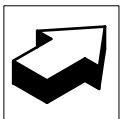
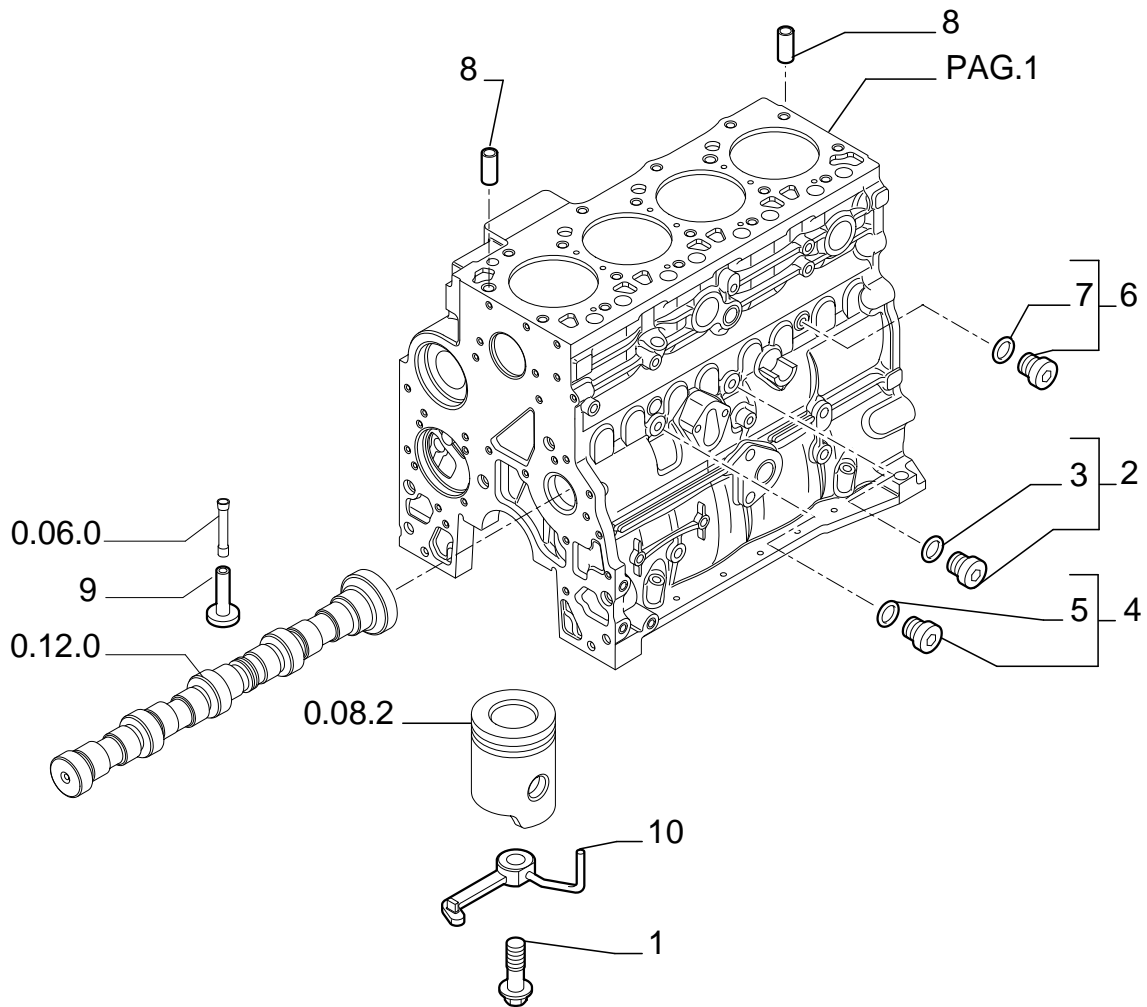


BLOQUE CILINDROS  
 BASE MOTOR  
 MOTORBLOK  
 MOTORBLOK

R	N	P.N.	MOD	Q	Description Denominacion	Descrizione Denominação	Description Beschrijving	Bezeichnung Beskrivelse	L.C.
1		2830081		1	CYLINDER BLOCK - ASSY BLOQUE DE CILINDROS	BASAMENTO MOTORE BLOCO DE MOTOR	BLOC MOTEUR MOTORBLOK	KURBELGEHAEUSE KRUMTAPHUS	020B
2		4899026		10	DOWEL PITON	GRANO GUIA	PION STEL PEN	ZENTRIERSTIFT DYVEL	090G
3		4895039		3	PLUG TAPÓN	TAPPO BUJAO	BOUCHON PLUG	STOPFEN PROP	050T
4		4895038		4	PLUG TAPÓN	TAPPO BUJAO	BOUCHON PLUG	STOPFEN PROP	050T
5		4895228		2	PLUG TAPÓN	TAPPO BUJAO	BOUCHON PLUG	STOPFEN PROP	050T
6		4891353		10	SCREW 12X120 TORNILLO	VITE PARAFUSO	VIS SCHROEF	SCHRAUBE SKRUE	040V
7		4895040		1	BUSHING CASQUILLO	BOCCOLA CASQUILHO	BAGUE LAGERBUS	BUECHSE BOESNING	095B

LM1340 TURBO LM1343 TURBO  
 LM1345 TURBO LM1443 TURBO  
 LM1445 TURBO LM1745 TURBO

CRANKCASE - VERSION (03-04)  
BASAMENTO MOTORE - VERSIONE (03-04)  
BLOC CYLINDRE - VERSION (03-04)  
KURBELGEHAUSE - VERSION (03-04)



**BUY NOW**

**Then Instant Download  
the Complete Manual  
Thank you very much!**