

PARTS CATALOG

Product Line

**CATALOGO PARTI
DI RICAMBIO**

Model LS140 - LS150

**CATALOGUE DES PIECES
DETACHEES**

ERSATZTEILKATALOG

**CATÁLOGO DES PIEZAS
DE REPUESTO**

**CATÁLOGO DE PEÇAS
SOBRESSALENTES**

ONDERDELENLIJST

RESERVEDELSKATALOG

CATALOGUE n. 604.04.320.00
1st Edition 05 - 2005

 **NEW HOLLAND**

TABLE OF CONTENTS

00.00	MAIN SECTIONS PICTORIAL INDEX
AAA	RECOMMENDED INITIAL PARTS STOCK LIST FOR 5 MACHINES
00.01	ENGINE PICTORIAL INDEX
01.00	ENGINE PICTORIAL INDEX
01.01	ENGINE
01.02	CYLINDER BLOCK
01.03	BLOCK HEATER KIT
01.04	CYLINDER HEAD
01.04.01	CYLINDER HEAD, LS140/LS150, TIER 2
01.05	VALVE COVER
01.05.01	VALVE COVER- LS140/LS150, TIER 2
01.06	ROCKER ARMS
01.06.01	ROCKER ARMS, LS140/LS150, TIER 2
01.07	CAMSHAFT
01.08	CRANKSHAFT & PISTONS
01.11	INTAKE MANIFOLD
01.12	EXHAUST MANIFOLD
01.13	TIMING GEAR CASE, GOVERNOR
01.14	OIL PAN & DIPSTICK
01.15	OIL PUMP & SUCTION FILTER
01.17	FUEL INJECTION SYSTEM
01.18	INJECTION PUMP
01.19	INJECTOR
01.20	WATER PUMP & RELATED PARTS
07.09.02	BUCKET CIRCUIT CHECK VALVE
00.02	ENGINE ATTACHING EQUIPMENT PICTORIAL INDEX
02.00	ENGINE ATTACHING EQUIPMENT PICTORIAL INDEX
02.01	MOUNTS & TRANSMISSION AREA
02.02	FLYWHEEL, BELL HOUSING & STARTER
02.03	STARTER
02.04	ALTERNATOR
02.04.01	ALTERNATOR
02.06	FAN, MUFFLER & AIR CLEANER
02.07	AIR CLEANER
02.08	MUFFLER OPTIONS
02.09	RADIATOR
02.10	FUEL TANK
00.03	HYDROSTATIC DRIVE PICTORIAL INDEX
03.00	HYDROSTATIC DRIVE PICTORIAL INDEX
03.01	FINAL DRIVE
03.02	TRANSMISSION CENTERING
03.04	HYDROSTATIC PUMP & MOTOR
03.04.01	HYDROSTATIC CASE DRAIN
03.06.01	PISTON PUMP, FRONT
03.06.02	PISTON PUMP, REAR
03.07	HYDROSTATIC MOTOR
03.08.01	BRAKE
03.08.02	BRAKE, ON ROAD, EUROPE
00.06	ELECTRICAL PICTORIAL INDEX
06.00	ELECTRICAL PICTORIAL INDEX
06.01	MAIN ELECTRIC
06.01.01	ELECTRIC POWER KIT
06.02.01	CAB ELECTRIC, NORTH AMERICA
06.02.02	CAB ELECTRIC, EUROPE
06.03.01	HORN & TURN SIGNAL, BSN

TABLE OF CONTENTS

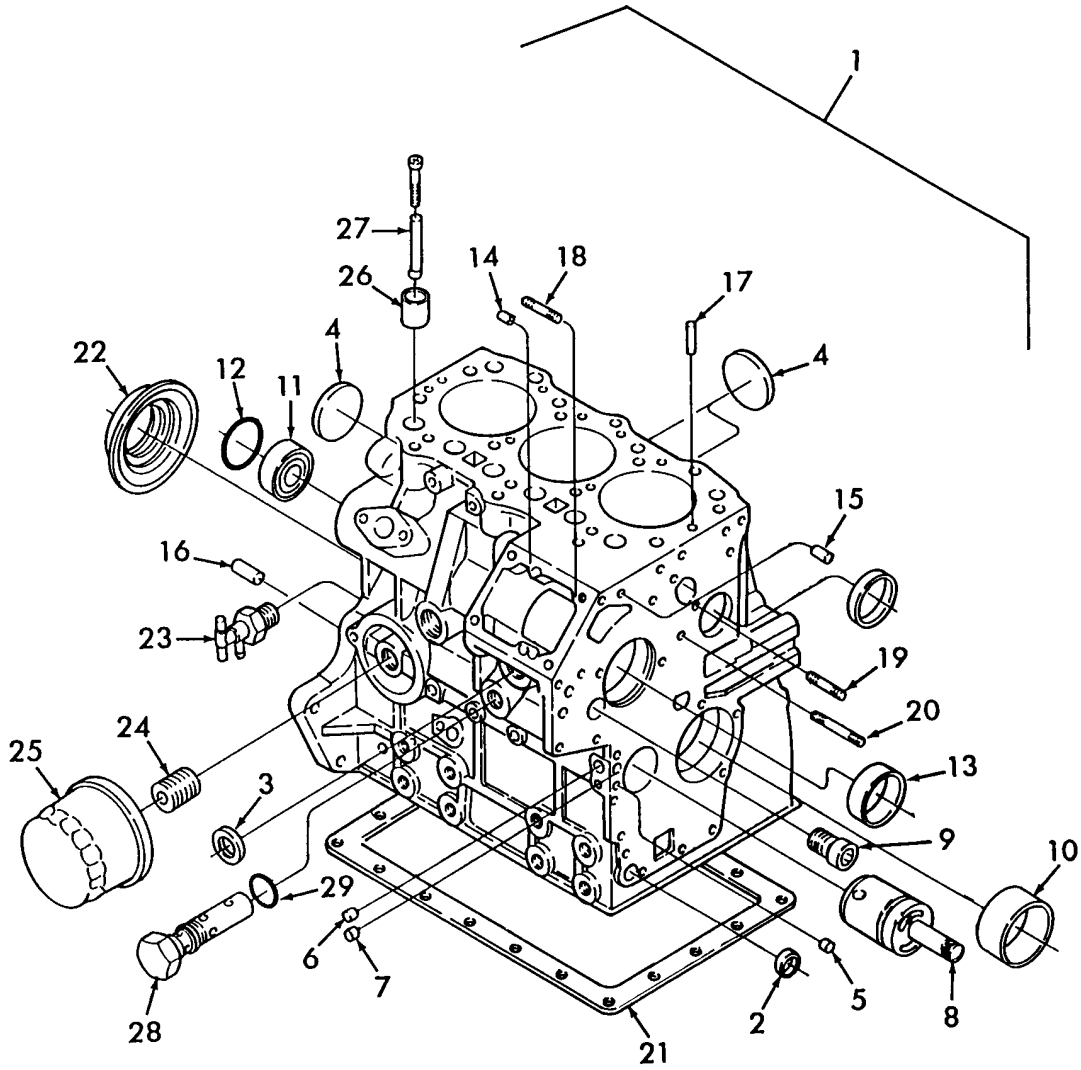
06.03.01	02	HORN & TURN SIGNAL, ASN
06.03.03		4-WAY FLASHERS
06.03.05		BEACON KIT & MISCELLANEOUS PARTS
06.03.06		ROAD & WORK LIGHT KIT
06.03.07		REAR LIGHT BAR, ON ROAD, EUROPE
06.03.08		FRONT HEADLAMP, ON ROAD, EUROPE
06.04		CHASSIS ELECTRIC
06.04.01		BACK-UP ALARM KIT
06.05		ENGINE ELECTRIC
00.07		HYDRAULIC SYSTEM PICTORIAL INDEX
07.00		HYDRAULIC SYSTEM PICTORIAL INDEX
07.01.01		BUCKET HYDRAULICS
07.01.03		BOOM HYDRAULICS
07.01.05		CONNECT UNDER PRESSURE COUPLERS
07.02.01		BUCKET CYLINDER
07.02.02		BOOM CYLINDER, LS140
07.02.03		BOOM CYLINDER, LS150
07.03		HYDRAULIC GEAR PUMP
07.04.01		CONTROL VALVE HYDRAULICS
07.04.02		CONTROL VALVE, HAND & FOOT CONTROLS
07.05		HYDRAULIC RESERVOIR, FILTER & OIL COOLER
00.08		SHEET METAL / DECALS PICTORIAL INDEX
08.00		SHEET METAL / DECALS PICTORIAL INDEX
08.01		REAR HOOD
08.02		FENDERS
08.03		SLOW MOVING VEHICLE EMBLEM KIT
08.04.01		DECALS, NORTH AMERICA
08.04.02		DECALS, EUROPE
00.09		BOOM & BUCKET PICTORIAL INDEX
09.00		BOOM & BUCKET PICTORIAL INDEX
09.01		BOOM
09.02		BOOM, ON ROAD, EUROPE
09.03		BOOM LOCK
09.04		MOUNTING PLATE
00.10		CAB, OPERATOR'S PLATFORM, & CONTROLS PICTORIAL INDEX
10.00		CAB, OPERATOR'S PLATFORM & CONTROLS PICTORIAL INDEX
10.01		CAB
10.01.01		FIRE EXTINGUISHER, MIRROR & FLOOR PLATE KITS
10.02.01		HEADLINER, OLD STYLE (-6/02)
10.02.02		HEADLINER, NEW STYLE (6/02-)
10.02.03		HEADLINER, CAB HEATER, OLD STYLE (-6/02)
10.02.04		HEADLINER, CAB HEATER, NEW STYLE (6/02-)
10.03		CAB HEATER
10.03.01		HEATER KIT
10.04		THRESHOLD & CAB WINDOWS, EUROPE
10.05.01		CAB ENCLOSURE KIT, DOOR FRAME & WINDOWS
10.05.02		CAB ENCLOSURE KIT, DOOR ATTACHING & WIRING
10.05.03		CAB ENCLOSURE KIT, DOOR & WIPER MOTOR
10.06		SIDE WINDOWS
10.08		DEMOLITION DOOR KIT
10.09		THROTTLE CONTROL
10.10		FOREARM REST
10.11.01		SEAT
10.11.01	A	SEAT, STANDARD
10.11.02		SEAT, SUSPENSION

TABLE OF CONTENTS

10.11.02	A	SEAT, SUSPENSION
10.11.04		ARM PAD & ARMREST KIT
10.12.01		BOOM & BUCKET FOOT CONTROL, HYDROSTATIC LEVERS
10.12.02		BOOM & BUCKET FOOT CONTROL, KICK PANEL, LH
10.12.03		BOOM & BUCKET FOOT CONTROL, KICK PANEL, RH
10.15.01		BOOM & BUCKET FOOT CONTROL, PEDALS
10.15.02		BOOM & BUCKET HAND CONTROL, PEDALS
10.16.01		BOOM & BUCKET HAND CONTROL, HYDROSTATIC LEVERS
10.16.02		BOOM & BUCKET HAND CONTROL, KICK PANEL, LH
10.16.03		BOOM & BUCKET HAND CONTROL, KICK PANEL, RH
10.16.04		BOOM & BUCKET HAND CONTROL, TUNNEL COMPONENTS, 1/2" ROD THREADS
10.19		BOOM & BUCKET CONTROL, HANDLE CONTROL KIT
00.11		WHEELS & TIRES PICTORIAL INDEX
11.00		WHEELS & TIRES PICTORIAL INDEX
11.01		WHEELS & TIRES
00.12		CHASSIS PICTORIAL INDEX
12.00		CHASSIS PICTORIAL INDEX
12.01		CHASSIS
12.02		COUNTERWEIGHT KIT
00.18		ACCESSORIES & KITS PICTORIAL INDEX
18.00		ACCESSORIES & KITS PICTORIAL INDEX
18.01		CAB JACK KIT
18.02		TOOLS, THREADED INSERT
00.19		ATTACHMENTS PICTORIAL INDEX
19.00		ATTACHMENTS PICTORIAL INDEX
19.01		BUCKETS & DIRT TOOTH KIT
19.02		UTILITY FORK & UNIVERSAL MOUNTING PLATE
19.03		TOOTH BARS
19.04		PALLET FORK & 2 PIECE MOUNTING ASSEMBLY
19.05		PALLET FORK & 1 PIECE MOUNTING ASSEMBLY
19.06		EUROPEAN ATTACHMENTS
AAA	01	PAINT

CYLINDER BLOCK
BASAMENTO MOTORE
BLOC MOTEUR
KURBELGEHÄUSE

1



BLOQUE DE CILINDROS
BLOCO DE MOTOR
MOTORBLOK
KRUMTAPHUS

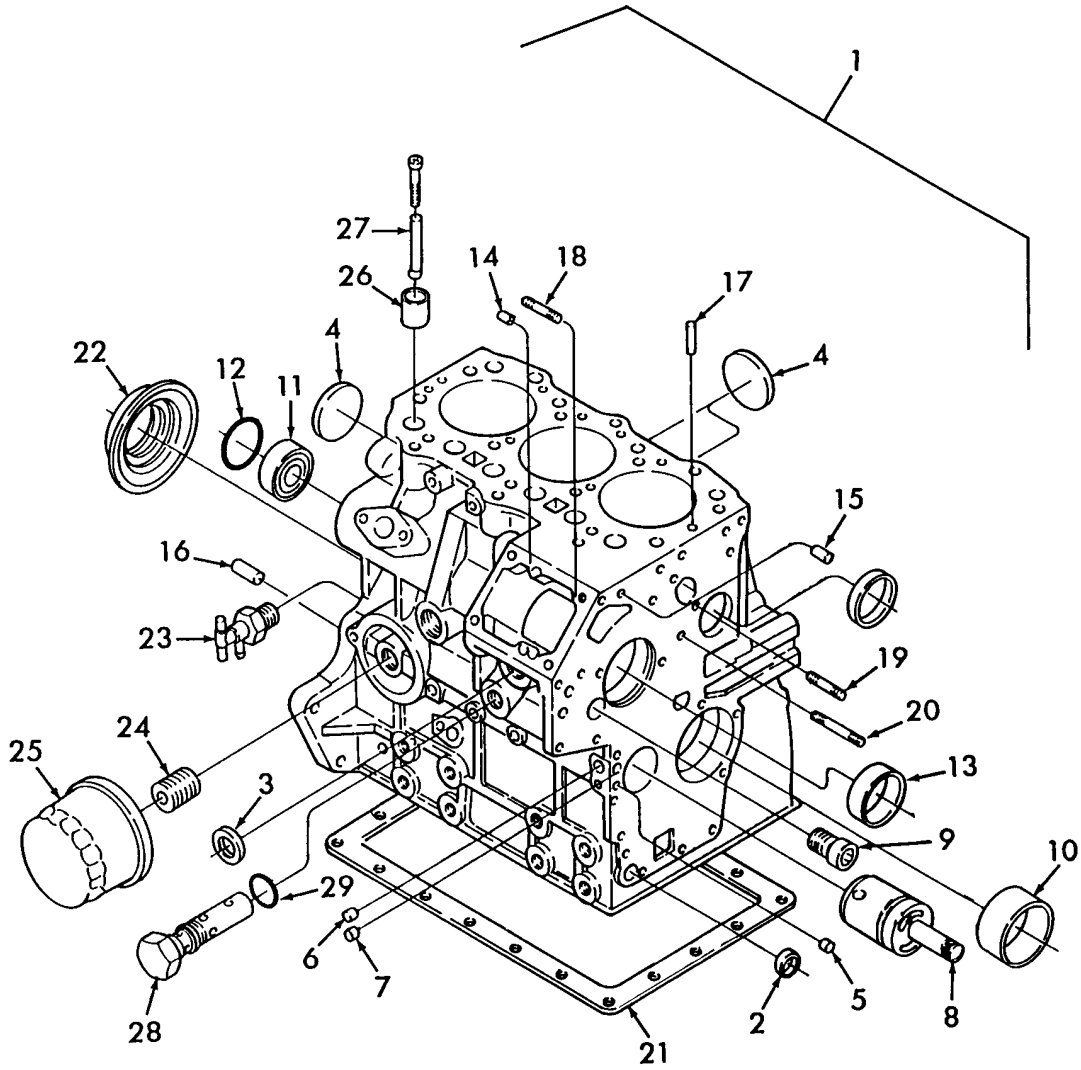
R	N	P.N.	MOD	Q	Description Denominacion	Descrizione Denominação	Description Beschrijving	Bezeichnung Beskrivelse	L.C.
1	1	87761721		1	BLOCK Includes: Ref. 2 thru 20	BLOCCHETTO	BLOC	BLOCK	074B
					BLOQUE MOTOR	BLOCO	BLOK	STOPKLODS	
2		83941961		1	CAP	TAPPO SERBATOIO	CHAPEAU	KAPPE	052T
					TAPON DEL DEPOSITO	TAMPAO DE RESERVAIO	RESERVOIRDOP	TANKDAEKSEL	
3		83920073		1	CAP	TAPPO SERBATOIO	CHAPEAU	KAPPE	052T
					TAPON DEL DEPOSITO	TAMPAO DE RESERVAIO	RESERVOIRDOP	TANKDAEKSEL	
4		83920074		4	PLUG	TAPPO	BOUCHON	STOPFEN	050T
					TAPÓN	BUJAO	PLUG	PROP	
5		83920423		2	PLUG	TAPPO	BOUCHON	STOPFEN	050T
					TAPÓN	BUJAO	PLUG	PROP	
5		83920425		2	PLUG Plug, 6.2mm, LS150	TAPPO	BOUCHON	STOPFEN	050T
					TAPÓN	BUJAO	PLUG	PROP	
6		83920424		3	PLUG	TAPPO	BOUCHON	STOPFEN	050T
					TAPÓN	BUJAO	PLUG	PROP	
7		83920425		4	PLUG	TAPPO	BOUCHON	STOPFEN	050T
					TAPÓN	BUJAO	PLUG	PROP	
7		83920423		4	PLUG LS150	TAPPO	BOUCHON	STOPFEN	050T
					TAPÓN	BUJAO	PLUG	PROP	
8		87761433		1	SHAFT Idler Gear	ALBERO	ARBRE	WELLE	016A
					EJE	VEIO	AS	AKSEL	
9	1	83938015		1	BUSHING	BOCCOLA	BAGUE	BUECHSE	095B
					CASQUILLO	CASQUILHO	LAGERBUS	BOESNING	
10		83967141		1	BUSHING Std	BOCCOLA	BAGUE	BUECHSE	095B
					CASQUILLO	CASQUILHO	LAGERBUS	BOESNING	
10		83967142		1	BUSHING .1" (.25 mm), U/S	BOCCOLA	BAGUE	BUECHSE	095B
					CASQUILLO	CASQUILHO	LAGERBUS	BOESNING	
10		83967143		1	BUSHING .2" (.5 mm), U/S	BOCCOLA	BAGUE	BUECHSE	095B
					CASQUILLO	CASQUILHO	LAGERBUS	BOESNING	
11		83920543		1	BEARING, BALL	CUSCINETTO A SFERA	ROULEMENT A BILLES	KUGELLAGER	343C
					RODAMIENTO DE BOLAS	ROLAMENTO	LAGER, KOGEL	KUGLELEJE	
12		83920069		1	PLUG Expansion	TAPPO	BOUCHON	STOPFEN	050T
					TAPÓN	BUJAO	PLUG	PROP	
13		83966655		1	BEARING ASSY	CUSCINETTO	ROULEMENT	LAGER KOMPLETT	341C
					COJINETE	ROLAMENTO	LAGER	LEJE	
14		83920050		2	PIN Dowel	PERNO	AXE	BOLZEN	080P
					PERNO	PERNO	PEN	STIFT	
15		83938021		2	PIN Dowel	PERNO	AXE	BOLZEN	080P
					PERNO	PERNO	PEN	STIFT	
16		83920052		2	PIN Dowel	PERNO	AXE	BOLZEN	080P
					PERNO	PERNO	PEN	STIFT	
17		83938022		2	PIN Spring	PERNO	AXE	BOLZEN	080P
					PERNO	PERNO	PEN	STIFT	
18		87760726		2	BOLT	BULLONE	BOULON	SCHAUBENBOLZEN	140B
					TORNILLO	PARAFUSO	BOUT	SKRUE	
19		87761444		1	BOLT	BULLONE	BOULON	SCHAUBENBOLZEN	140B
					TORNILLO	PARAFUSO	BOUT	SKRUE	

(1) Before Engine S/N: LS140, 76992; LS150, 74975

LS140 LS150

CYLINDER BLOCK
BASAMENTO MOTORE
BLOC MOTEUR
KURBELGEHÄUSE

1



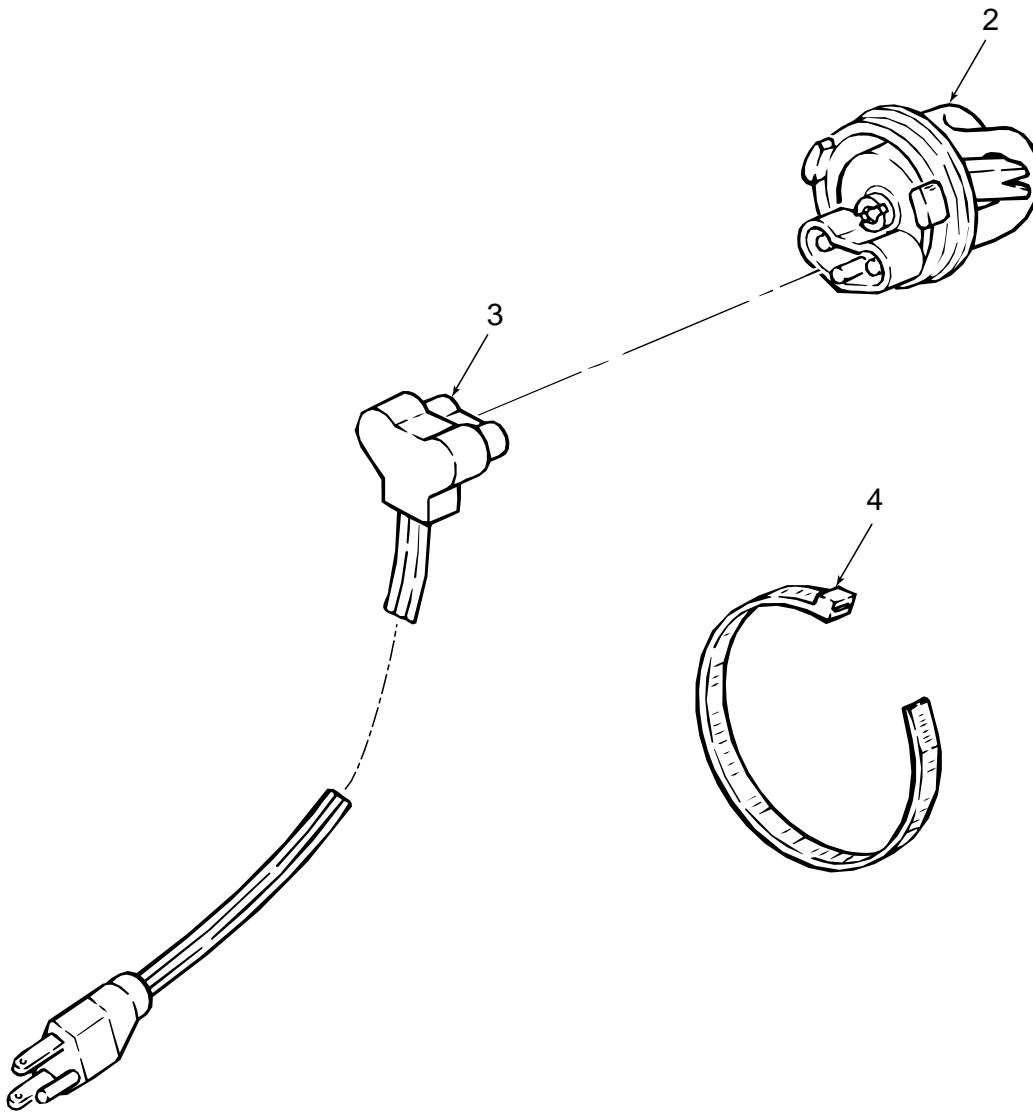
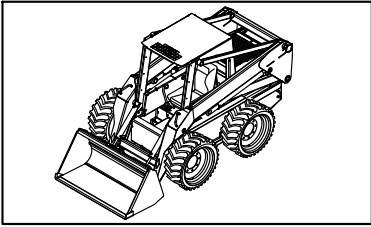
BLOQUE DE CILINDROS
BLOCO DE MOTOR
MOTORBLOK
KRUMTAPHUS

R	N	P.N.	MOD	Q	Description Denominacion	Descrizione Denominação	Description Beschrijving	Bezeichnung Beskrivelse	L.C.
20		87761446		1	BOLT TORNILLO	BULLONE PARAFUSO	BOULON BOUT	SCHAUBENBOLZEN SKRUE	140B
21		87759578		1	GASKET JUNTA HERMETICA	GUARNIZIONE JUNTA	JOINT DICHTINGSSTUK	DICHTUNG, FLACH PAKNING	123G
22		83966660		1	SEAL ANILLO DE CIERRE	ANELLO DI TENUTA ANEL DE VEDACAO	JOINT DICHTINGSRING	DICHTUNG PAKNINGSRING	132A
22		87759772		1	RING LS150 ANILLO	ANELLO ANEL	ANNEAU RING	RING RING	045A
23		87771854		1	DRAINCOCK/TAP, SUPPLY GRIFO	RUBINETTO TORNEIRA	ROBINET KRAAN	ABLASSHAHN HANE	150R
24		83938038		1	ADAPTER ADAPTOR	ADATTATORE ADAPTOR	ADAPTEUR VERLOOPSTUK	ADAPTER ADAPTER	001A
25		86546618		1	FILTER, ENGINE OIL FILTRO DE ACEITE	FILTRO OLIO MOTORE FILTRO DE OLEO	FILTRE A HUILE MOTEUR OLIEFILTER	MOTORÖLFILTER OLIEFILTER	067F
26		83965298		6	TAPPET EMPUJADOR	PUNTERIA IMPULSOR	POUSSOIR LAGER, ROL	ROULEMENT A ROULEAU 240P VENTILLOEFTER	
26		83990582		6	TAPPET LS150 EMPUJADOR	PUNTERIA IMPULSOR	POUSSOIR LAGER, ROL	ROULEMENT A ROULEAU 240P VENTILLOEFTER	
27		83987533		6	ROD VARILLA	ASTA HASTE	TRINGLE STANG	STANGE STANG	090A
27		83966991		6	ROD, PUSH LS150 VARILLA DE EMPUJE	ASTA, SPINTA HASTE DE IMPULSO	TIGE DE CULBUTEUR ROD, PUSH	SCHUBSTANGE SKUBBESTANG	P307
28		87771899		1	VALVE, PRESSURE RELIEF VÁLVULA, DESCARGA	VALVOLA, DI SICUREZZA VÁLVULA, DESCARGA	SOUPAPE, DÉCHARGE OVERDRUKVENTIEL	ÜBERDRUCKVENTIL SIKKERHEDSVENTIL	007V
29		87761109		1	O-RING JUNTA HERMETICA	ANELLO TOROIDALE O-RING	JOINT THORIQUE O-RING	O-RING O-RING	055A

LS140 LS150

BLOCK HEATER KIT
RISCALDATORE DEL MONOBLOCCO
CHAUFFE-BLOC
BLOCKHEIZUNGS-KIT

1



1
INCLUDES
2 - 4

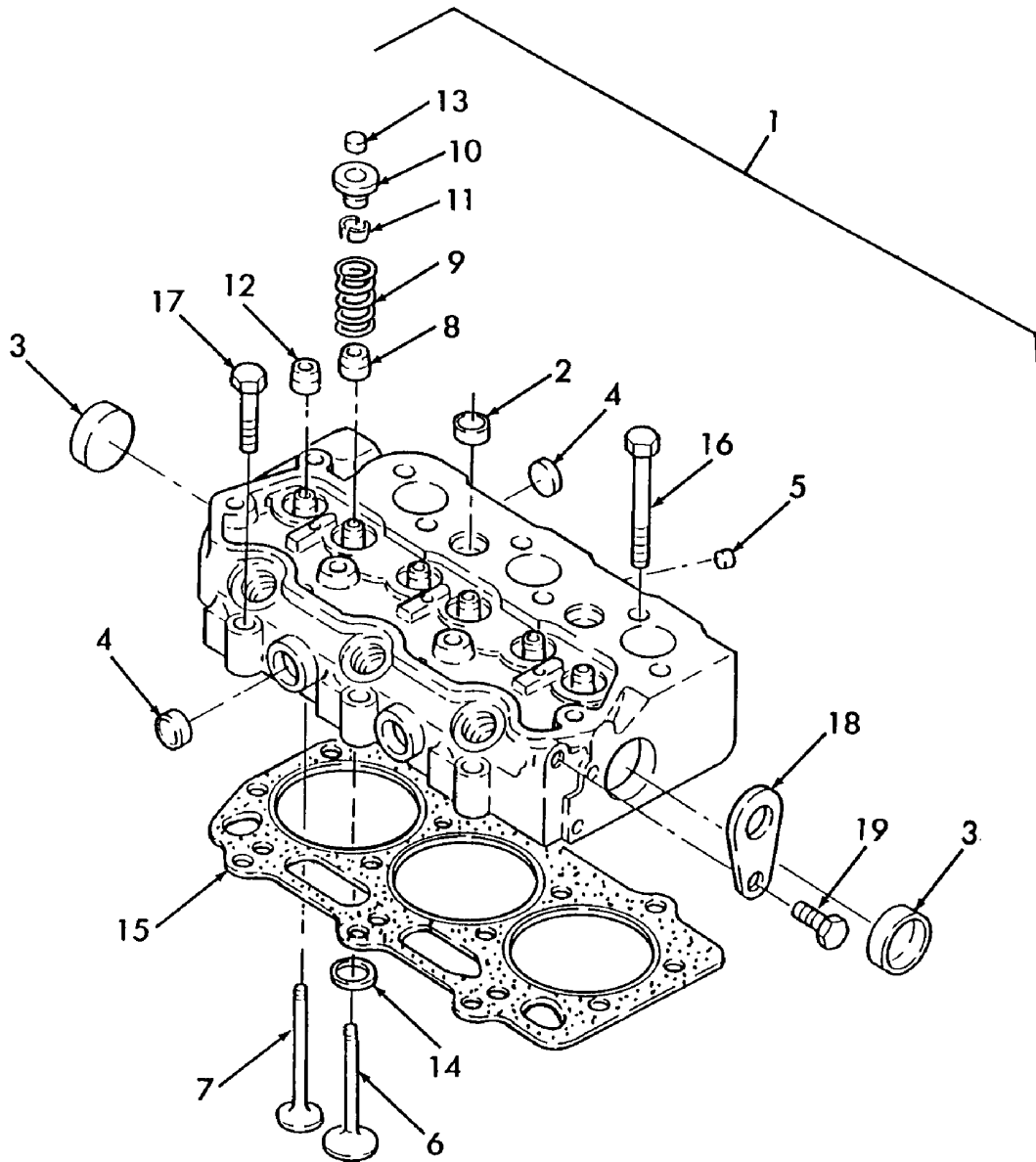
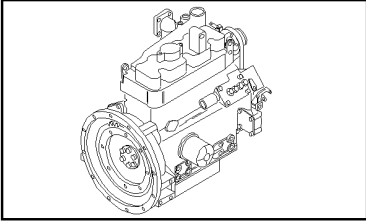
CALENTADOR DE BLOQUE
 AQUECEDOR DO BLOCO DO MOTOR
 BLOKVERWARMINGSSET
 OPVARMNING AF MOTORBLOK

R	N	P.N.	MOD	Q	Description Denominacion	Descrizione Denominação	Description Beschrijving	Bezeichnung Beskrivelse	L.C.
1		86590117		1	KIT Block Heater, Includes: Refs. 2 thru 4	KIT	POCHETTE KIT	PACKUNG KIT	4830
2		{NSS}		1	NOT SERVICED SEPARATELY Block Heater	NON FORNITO SEPARAT	NON FOURNI SEPARATEMENT	KEIN ERSATZTEIL	064N
3		86539137		1	CABLE, ELECTRIC 5 Ft (1.52M)	CAVO ELETTRICO	CABLE ELECTRIQUE	KABEL, ELEKTRISCH	111C
4		80263117		1	STRAP, SECURING 3/32" x 11-1/2" L	CINGHIA DI FISSAGGIO	SANGLE DE FIXATION	SICHERUNGSRIEMEN	172C
					CORREA DE FIJACION	CORREIA DE FIXACAO	BORGRIEM	FASTSPAENDINGSSTROP	

LS140 LS150

CYLINDER HEAD
TESTA DEL CILINDRO
CULASSE
ZYLINDERKOPF

1



CULATA DEL CILINDRO
CABEÇA DO CILINDRO
CILINDERHOOFD
CYLINDERHOVED

R	N	P.N.	MOD	Q	Description Denominacion	Descrizione Denominação	Description Beschrijving	Bezeichnung Beskrivelse	L.C.
1	1	87759581		1	CYLINDER HEAD LS140 CULATA	TESTA CILINDRI CABECA DE MOTOR	CULASSE CYLINDERKOP	ZYLINDERKOPF CYLINDERHOVED	113T
1	2	87759783		1	CYLINDER HEAD LS150 CULATA	TESTA CILINDRI CABECA DE MOTOR	CULASSE CYLINDERKOP	ZYLINDERKOPF CYLINDERHOVED	113T
1	3	87772733		1	CYLINDER HEAD CULATA	TESTA CILINDRI CABECA DE MOTOR	CULASSE CYLINDERKOP	ZYLINDERKOPF CYLINDERHOVED	113T
2		83966670		5	COVER, CAP Sealing CAPUCHA DE TAPON	COPRITAPPO TAMPA DE COBERTURA	CACHE-BOUCHON AFSCHERMKAP	SCHUTZKAPPE PROPDÆKSEL	293C
3		83938050		2	CAP Sealing TAPON DEL DEPOSITO	TAPPO SERBATOIO TAMPAO DE RESERVATOIRE	CHAPEAU RESERVOIRDOP	KAPPE TANKDAEKSEL	052T
4		83920073		4	CAP Sealing TAPON DEL DEPOSITO	TAPPO SERBATOIO TAMPAO DE RESERVATOIRE	CHAPEAU RESERVOIRDOP	KAPPE TANKDAEKSEL	052T
5		83966682		2	COVER, CAP Sealing, Includes: Ref. 2 thru 13	COPRITAPPO	CACHE-BOUCHON	SCHUTZKAPPE	293C
6	1	83966671		3	VALVE, ENGINE, INLET, STD LS140	VALVOLA DI ASPIRAZIONE	SOUPAPE D'ADMISSION	EINLASSVENTIL	STANDAF111V
6	4	81877542		3	VÁLVULA DE ADMISIÓN VALVE Intake VALVULA	VALVULA DE ADMISSAO VALVOLA VALVULA	INLAATKLEP VALVE VALVE	INDSUGNINGSVENTIL VENTIL VALVE	P468
7	1	83966672		3	VALVE, ENG EXHAUST, STD LS140	VALVOLA DI SCARICO	SOUPAPE D'ECHAPPEME	AUSPUFFVENTIL, STAND/112V	
7	4	81878118		3	VALVE Exhaust VALVULA	VALVOLA DE ESCAPE VALVOLA VALVULA	UITLAATKLEP VALVE VALVE	UDSTOEDNINGSVENTIL VENTIL VALVE	P468
8		83942739		3	SEAL Intake Valve Guide ANILLO DE CIERRE	ANELLO DI TENUTA ANEL DE VEDACAO	JOINT DICHTINGSRING	DICHTUNG PAKNINGSRING	132A
9	1	83938201		6	SPRING LS140 RESORTE	MOLLA MOLA	RESSORT VEER	FEDER FJEDER	100M
9	4	87759784		6	SPRING RESORTE	MOLLA MOLA	RESSORT VEER	FEDER FJEDER	100M
10		83938202		6	RETAINER RETENEDOR	RITEGNO RETENTOR	RETENEUR HOUDER	HALTEVORRICHTUNG HOLDER	109R
11		83938203		12	RETAINER Cotter RETENEDOR	RITEGNO RETENTOR	RETENEUR HOUDER	HALTEVORRICHTUNG HOLDER	109R
12		83938100		3	SEAL Exhaust Valve Guide ANILLO DE CIERRE	ANELLO DI TENUTA ANEL DE VEDACAO	JOINT DICHTINGSRING	DICHTUNG PAKNINGSRING	132A
13		83938204		6	CAP TAPON DEL DEPOSITO	TAPPO SERBATOIO TAMPAO DE RESERVATOIRE	CHAPEAU RESERVOIRDOP	KAPPE TANKDAEKSEL	052T
14		83966688		3	VALVE SEAT Intake ASIENTO DE VALVULA	SEDE VALVOLA SEDE DE VALVULA	SIEGE DE SOUPAPE KLEPZITTING	VENTILSITZ VENTILSAEDE	074S
15		87759582		1	GASKET, CYLINDER HEAD	Head GUARNIZIONE TESTA CIL	JOINT DE CULASSE CYLINDERKOPDICHTING	ZYLINDERKOPFDICHTUNG TOPPAKNING	(129G)
					JUNTA DE CULATA	JUNTA DA CABECA			

(1) Before Engine S/N 76992

(2) Before Engine S/N 74975

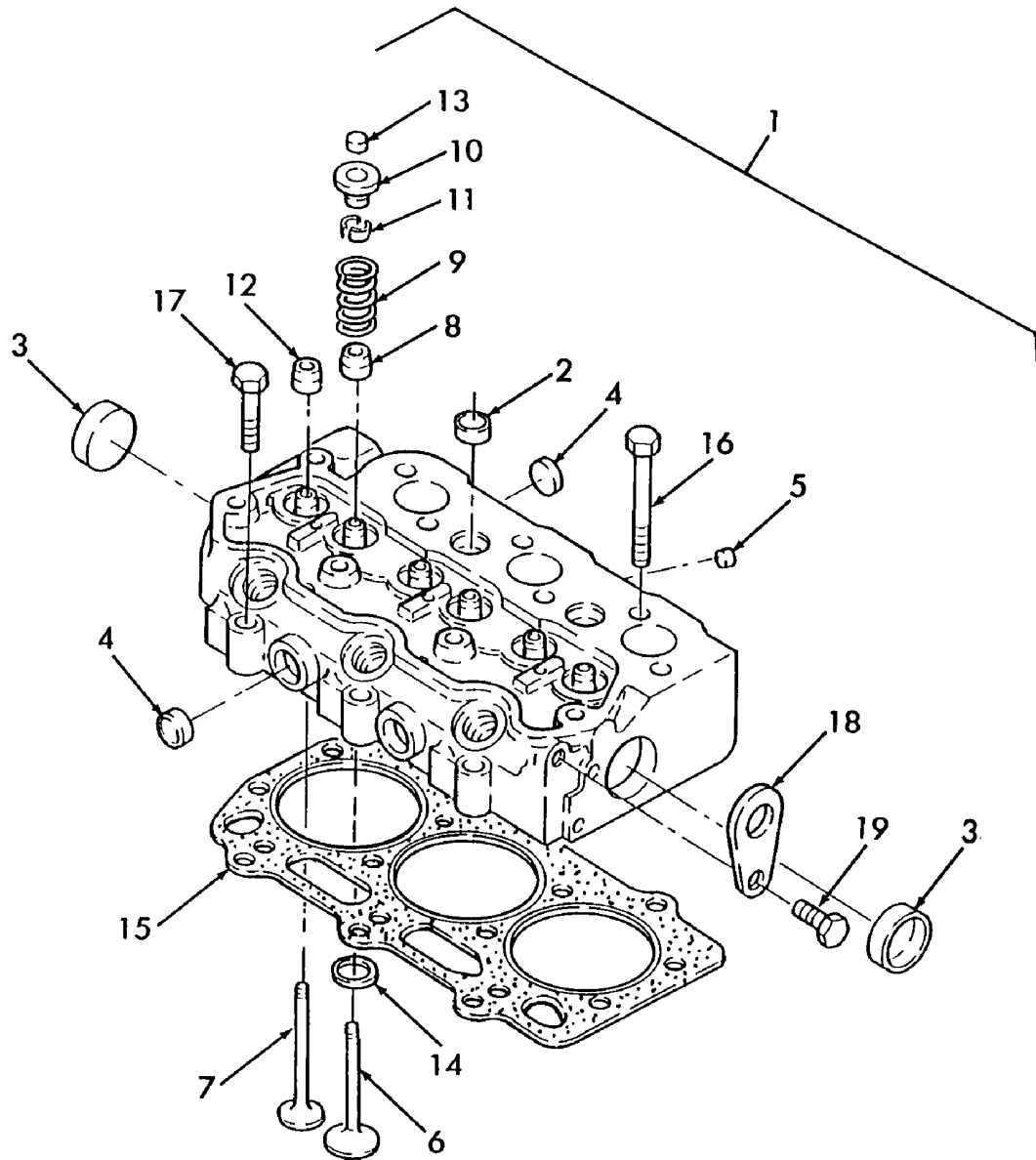
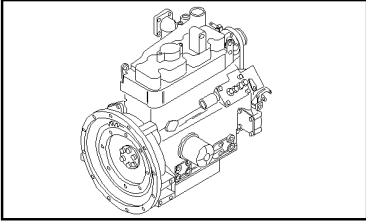
(3) After Engine S/N: LS140, 76993; LS150, 74976

(4) All LS150 & After Engine S/N 76993 on LS140

LS140 LS150

CYLINDER HEAD
TESTA DEL CILINDRO
CULASSE
ZYLINDERKOPF

1



CULATA DEL CILINDRO
 CABEÇA DO CILINDRO
 CILINDERHOOFD
 CYLINDERHOVED

R	N	P.N.	MOD	Q	Description Denominacion	Descrizione Denominação	Description Beschrijving	Bezeichnung Beskrivelse	L.C.
16		83966679		11	BOLT Head TORNILLO	BULLONE PARAFUSO	BOULON BOUT	SCHAUBENBOLZEN SKRUE	140B
17		83966680		3	BOLT Head TORNILLO	BULLONE PARAFUSO	BOULON BOUT	SCHAUBENBOLZEN SKRUE	140B
18		81873140		2	HANGER Includes: Ref. 2 thru 14 SUSPENSOR	GANCIO ICADOR	ATTACHEUR HANGER	AUFHÄNGER HANGER	4140
19		83984573		2	BOLT M8 x 16 TORNILLO	BULLONE PARAFUSO	BOULON BOUT	SCHAUBENBOLZEN SKRUE	140B

LS140 LS150

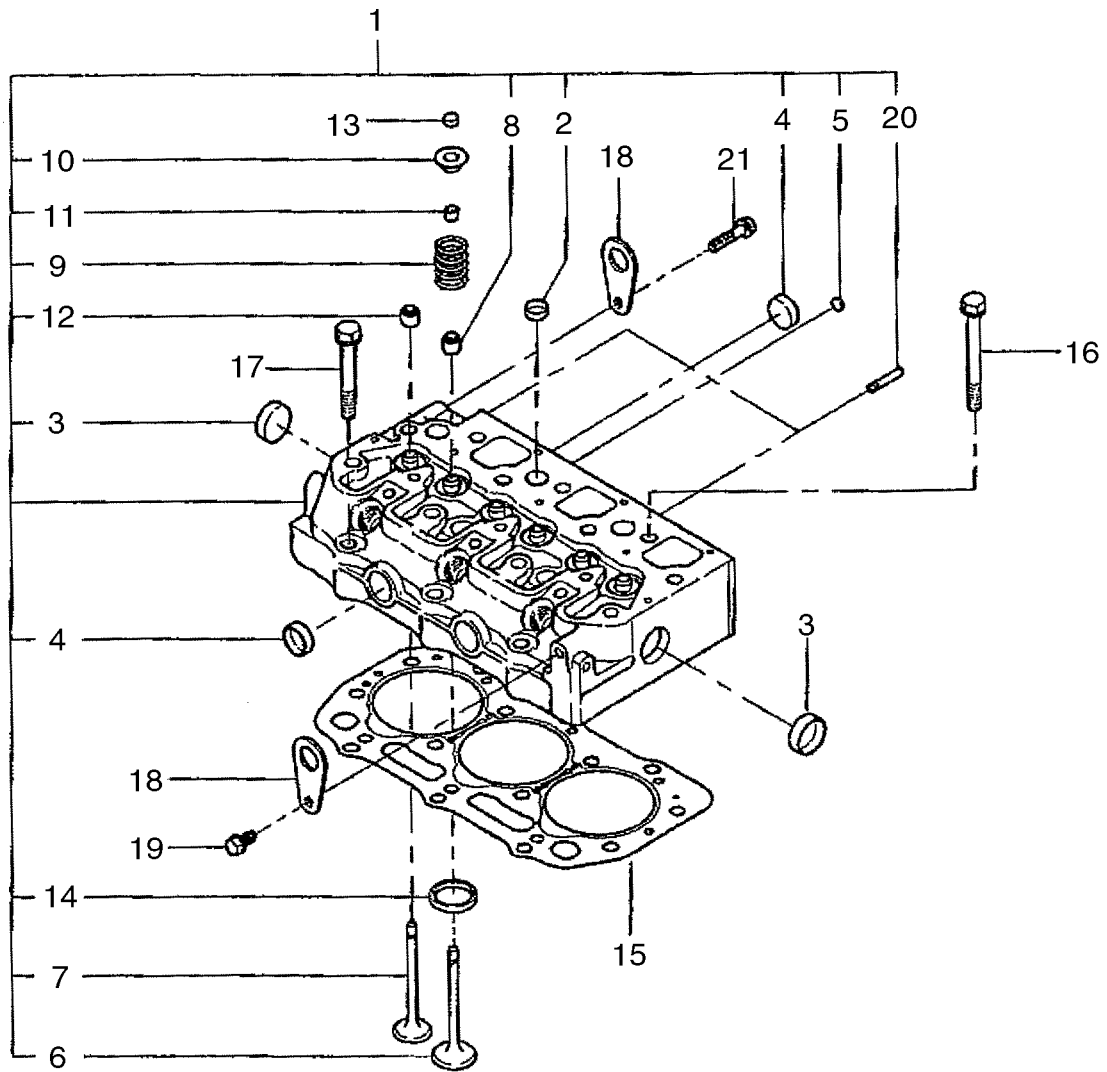
CYLINDER HEAD, LS140/LS150, TIER 2

TESTA DEL CILINDRO

CULASSE

ZYLINDERKOPF

1



BUY NOW

**Then Instant Download
the Complete Manual
Thank you very much!**