

# PARTS CATALOG

**Product Line**

**CATALOGO PARTI  
DI RICAMBIO**

**Model LS160 - LS170**

**CATALOGUE DES PIECES  
DETACHEES**

**ERSATZTEILKATALOG**

**CATÁLOGO DES PIEZAS  
DE REPUESTO**

**CATÁLOGO DE PEÇAS  
SOBRESSALENTES**

**ONDERDELENLIJST**

**RESERVEDELSKATALOG**

**CATALOGUE n. 604.04.321.00**  
1<sup>st</sup> Edition 05 - 2005

 **NEW HOLLAND**

---

# TABLE OF CONTENTS

---

00.00	MAIN SECTIONS PICTORIAL INDEX
00.01	ENGINE PICTORIAL INDEX
00.02	ENGINE ATTACHING EQUIPMENT PICTORIAL INDEX
00.03	HYDROSTATIC DRIVE PICTORIAL INDEX
00.06	ELECTRICAL PICTORIAL INDEX
00.07	HYDRAULIC SYSTEM PICTORIAL INDEX
00.08	SHEET METAL & DECALS PICTORIAL INDEX
00.09	BOOM & BUCKET PICTORIAL INDEX
00.10	CAB, OPERATOR'S PLATFORM, & CONTROLS PICTORIAL INDEX
00.11	WHEELS & TIRES PICTORIAL INDEX
00.12	CHASSIS PICTORIAL INDEX
00.18	ACCESSORIES & KITS PICTORIAL INDEX
00.19	ATTACHMENTS PICTORIAL INDEX
01.00	ENGINE PICTORIAL INDEX
01.01.01	ENGINE, LS160
01.01.02	ENGINE, LS170
01.02.01	CYLINDER BLOCK, LS160
01.02.02	CYLINDER BLOCK, LS170
01.03	BLOCK HEATER KIT
01.04	CYLINDER HEAD
01.04.01	CYLINDER HEAD- LS160, S/N 124735 AND AFTER, TIER 2
01.05	VALVE COVER & CRANKSHAFT PULLEY
01.05.01	CYLINDER HEAD COVER, LS160, S/N 124735 AND AFTER, TIER 2
01.06.01	ROCKER ARMS, LS160 BEFORE S/N 124735, LS170 AFTER ENGINE S/N 108982
01.06.02	ROCKER ARMS, LS170, BEFORE ENGINE S/N 108981
01.06.03	ROCKER ARMS, LS160, S/N 124735 AND AFTER, TIER 2
01.07	CAMSHAFT
01.08	CRANKSHAFT & PISTONS
01.11	INTAKE MANIFOLD
01.12.01	EXHAUST MANIFOLD, LS160
01.12.02	EXHAUST MANIFOLD, LS170
01.13	TIMING GEAR CASE, GOVERNOR
01.14	OIL PAN, GAUGE & RELATED PARTS
01.15	OIL PUMP & SUCTION FILTER
01.17	FUEL INJECTION SYSTEM
01.18	INJECTION PUMP
01.19	INJECTOR
01.20.01	WATER PUMP & RELATED PARTS, LS160
01.20.02	WATER PUMP & RELATED PARTS, LS170
07.09.02	BUCKET CIRCUIT CHECK VALVE
02.00	ENGINE ATTACHING EQUIPMENT PICTORIAL INDEX
02.02	FLYWHEEL, BELL HOUSING & STARTER
02.03	STARTER
02.04	ALTERNATOR MOUNTING
02.04.01	ALTERNATOR
02.06.01	AIR CLEANER, MUFFLER & FAN, LS160
02.06.02	AIR CLEANER, MUFFLER & FAN, LS170
02.07	AIR CLEANER
02.07.01	AIR CLEANER INLET
02.08	MUFFLERS, ASPIRATOR & CATALYTIC
02.09	RADIATOR
02.10	FUEL TANK
03.00	HYDROSTATIC DRIVE PICTORIAL INDEX
03.01	FINAL DRIVE
03.01.01	GEARBOX, RH & LH

---

# TABLE OF CONTENTS

---

03.02		TRANSMISSION CENTERING
03.04		HYDROSTATIC PUMP & MOTOR
03.04.01		HYDROSTATIC CASE DRAIN
03.06.01		PISTON PUMP, FRONT
03.06.02		PISTON PUMP, CENTER MANIFOLD BLOCK
03.06.03		PISTON PUMP, REAR
03.07		HYDROSTATIC MOTOR
03.08.01		BRAKES
03.08.02		BRAKE, ON-ROAD, EUROPE
06.00		ELECTRICAL PICTORIAL INDEX
06.01		MAIN ELECTRIC
06.01.01		ELECTRIC POWER KIT
06.02.01		CAB ELECTRIC, NORTH AMERICA
06.02.02		CAB ELECTRIC, EUROPE
06.03.01	01	HORN & TURN SIGNAL, BSN
06.03.01	02	HORN & TURN SIGNAL, ASN
06.03.03		4-WAY FLASHERS
06.03.05		BEACON KIT & MISCELLANEOUS PARTS, ON-ROAD
06.03.07		REAR LIGHT BAR, ON-ROAD, EUROPE
06.03.08		FRONT HEADLAMP, ON-ROAD, EUROPE
06.04		CHASSIS ELECTRIC
06.04.01		BACK-UP ALARM KIT
06.05		ENGINE ELECTRIC
06.06		HYDRAULIC MOUNTING PLATE ELECTRICAL COMPONENTS
07.00		HYDRAULIC SYSTEM PICTORIAL INDEX
07.01.01		BUCKET HYDRAULICS, STANDARD
07.01.02		BUCKET HYDRAULICS, HIGH FLOW
07.01.03		BOOM HYDRAULICS, STANDARD
07.01.04		BOOM HYDRAULICS, HIGH FLOW
07.01.05		CONNECT UNDER PRESSURE COUPLERS
07.02.01		BUCKET CYLINDER
07.02.02		BOOM CYLINDER
07.03		HYDRAULIC GEAR PUMP
07.04.01		CONTROL VALVE HYDRAULICS
07.04.02		CONTROL VALVE HYDRAULICS, HIGH FLOW
07.04.02	01	HIGH FLOW HYDRAULICS, TOGGLE SWITCH BEHIND LH HYDROSTATIC HANDLE
07.04.02	02	HIGH FLOW HYDRAULICS, ROCKER SWITCH ON IGNITION PANEL
07.04.03		CONTROL VALVE
07.04.04		SELECTOR VALVE, HIGH FLOW
07.05		HYDRAULIC RESERVOIR & FILTER
07.06.01		OIL COOLER, STANDARD
07.06.02		OIL COOLER, HIGH-PERFORMANCE
07.07.01		HIGH FLOW KIT, LS160
07.07.02		HIGH FLOW KIT, LS170
07.08.01		2ND FRONT AUXILIARY KIT
07.08.02		REAR AUXILIARY HYDRAULICS
07.08.03.01		SECONDARY CONTROL VALVE, EATON
07.08.03.02		SECONDARY CONTROL VALVE, EATON/VICKERS
07.09.01		ENHANCED BOOM FLOAT KIT
07.10.01		HYDRAULIC MOUNTING PLATE
07.10.02		HYDRAULIC MOUNTING PLATE CYLINDER
07.10.03		HYDRAULIC MOUNTING PLATE VALVE
07.10.04		HYDRAULIC MOUNTING PLATE BOOM HYDRAULICS
08.00		SHEET METAL & DECALS PICTORIAL INDEX
08.01		REAR HOOD

---

# TABLE OF CONTENTS

---

08.02		FENDERS
08.03		SLOW MOVING VEHICLE EMBLEM KIT
08.04.01		DECALS, NORTH AMERICA
08.04.02		DECALS, EUROPE
09.00		BOOM & BUCKET PICTORIAL INDEX
09.01		BOOM
09.02		BOOM, ON-ROAD, EUROPE
09.03		BOOM LOCK
09.04		MOUNTING PLATE
10.00		CAB, OPERATOR'S PLATFORM & CONTROLS PICTORIAL INDEX
10.01		CAB
10.01.01		FIRE EXTINGUISHER, MIRROR KIT
10.02.01		HEADLINER
10.02.02		HEADLINER, NEW STYLE (8/02-)
10.02.03		HEADLINER, CAB HEATER
10.02.04		HEADLINER, CAB HEATER, NEW STYLE (8/02-)
10.03		CAB HEATER
10.03.01		HEATER KIT
10.04		THRESHOLD & REAR WINDOW, NORTH AMERICA
10.04.01		THRESHOLD & CAB WINDOWS, EUROPE
10.05.01		CAB ENCLOSURE KIT, FLOOR PLATE & WINDOWS
10.05.02		CAB ENCLOSURE KIT, DOOR ATTACHING & WIRING
10.05.03		CAB ENCLOSURE KIT, DOOR & DOOR WIPER MOTOR
10.07		CAB DOOR KIT
10.08		DEMOLITION DOOR KIT
10.08.01		DEMOLITION DOOR KIT, L/DOOR
10.09		THROTTLE CONTROL
10.10		FOREARM REST KIT
10.11.01		SEAT, STANDARD
10.11.01	A	SEAT, STANDARD
10.11.02		SEAT, SUSPENSION
10.11.02	A	SEAT, SUSPENSION
10.11.03		SEATBELTS, OPTIONAL
10.11.04		ARM PAD & ARMREST KIT, STANDARD SEAT
10.12.01		BOOM & BUCKET FOOT CONTROL, HYDROSTATIC LEVERS
10.12.02		BOOM & BUCKET FOOT CONTROL, KICK PANEL, LH
10.12.03		BOOM & BUCKET FOOT CONTROL, KICK PANEL, RH
10.15.01		BOOM & BUCKET FOOT CONTROL, PEDALS
10.15.02		BOOM & BUCKET HAND CONTROL, PEDALS
10.16.01		BOOM & BUCKET HAND CONTROL, HYDROSTATIC LEVERS
10.16.02		BOOM & BUCKET HAND CONTROL, KICK PANEL, LH
10.16.03		BOOM & BUCKET HAND CONTROL, KICK PANEL, RH
10.16.04		BOOM & BUCKET HAND CONTROL, TUNNEL COMPONENTS
10.19		BOOM & BUCKET HAND CONTROL KIT
10.20.01		MULTI-FUNCTION HANDLE, LH
10.20.02		MULTI-FUNCTION HANDLE, RH
10.21		MULTI-FUNCTION HANDLE CONTROL BOX
11.00		WHEELS & TIRES PICTORIAL INDEX
11.01		WHEELS & TIRES
12.00		CHASSIS PICTORIAL INDEX
12.01		CHASSIS
12.02		COUNTERWEIGHT KIT
18.00		ACCESSORIES & KITS PICTORIAL INDEX
18.01		CAB JACK KIT
18.02		TOOLS, THREADED INSERT

---

# TABLE OF CONTENTS

---

19.00		ATTACHMENTS PICTORIAL INDEX
19.01		BUCKETS & DIRT TOOTH KIT
19.02		UTILITY FORK & UNIVERSAL MOUNTING PLATE
19.03		TOOTH BARS
19.04		PALLET FORK & 2 PIECE MOUNTING ASSEMBLY
19.05		PALLET FORK & 1 PIECE MOUNTING ASSEMBLY
19.06		EUROPEAN ATTACHMENTS
AAA	01	RECOMMENDED INITIAL PARTS STOCK LIST FOR 5 MACHINES
AAA	02	PAINT

---

# SECTION INDEX

---

00.00	MAIN SECTIONS PICTORIAL INDEX
00.01	ENGINE PICTORIAL INDEX
00.02	ENGINE ATTACHING EQUIPMENT PICTORIAL INDEX
00.03	HYDROSTATIC DRIVE PICTORIAL INDEX
00.06	ELECTRICAL PICTORIAL INDEX
00.07	HYDRAULIC SYSTEM PICTORIAL INDEX
00.08	SHEET METAL & DECALS PICTORIAL INDEX
00.09	BOOM & BUCKET PICTORIAL INDEX
00.10	CAB, OPERATOR'S PLATFORM, & CONTROLS PICTORIAL INDEX
00.11	WHEELS & TIRES PICTORIAL INDEX
00.12	CHASSIS PICTORIAL INDEX
00.18	ACCESSORIES & KITS PICTORIAL INDEX
00.19	ATTACHMENTS PICTORIAL INDEX

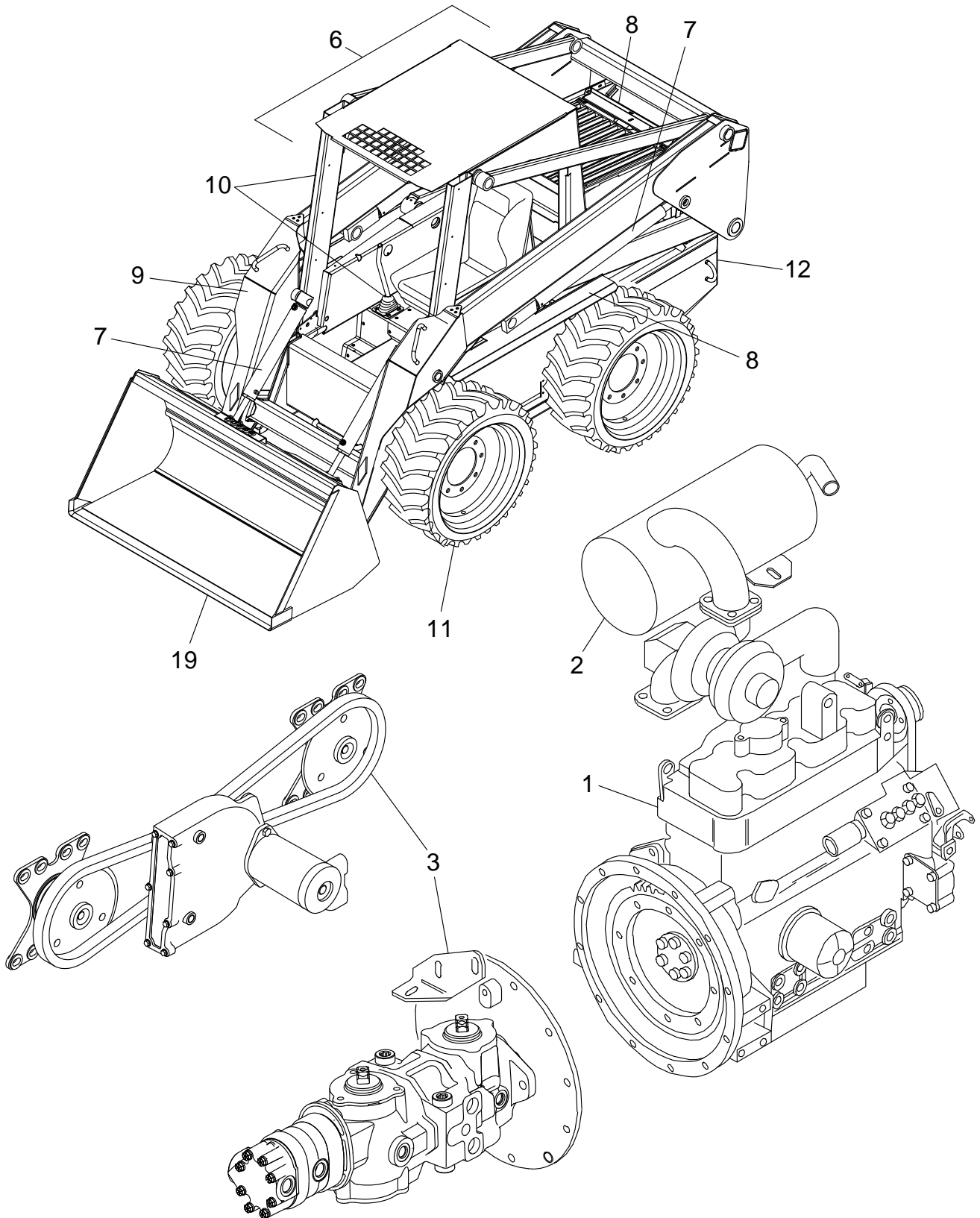
MAIN SECTIONS PICTORIAL INDEX

SEZIONI PRINCIPALI

SECTIONS PRINCIPALES

HAUPTABSCHNITTE

0



00.00

p1

02/02

SECCIONES PRINCIPALES  
SECÇÕES PRINCIPAIS  
HOOFDSECTIES  
HOVEDSEKTIONER

0

R	N	P.N.	MOD	Q	Description Denominacion	Descrizione Denominação	Description Beschrijving	Bezeichnung Beskrivelse	L.C.
---	---	------	-----	---	-----------------------------	----------------------------	-----------------------------	----------------------------	------

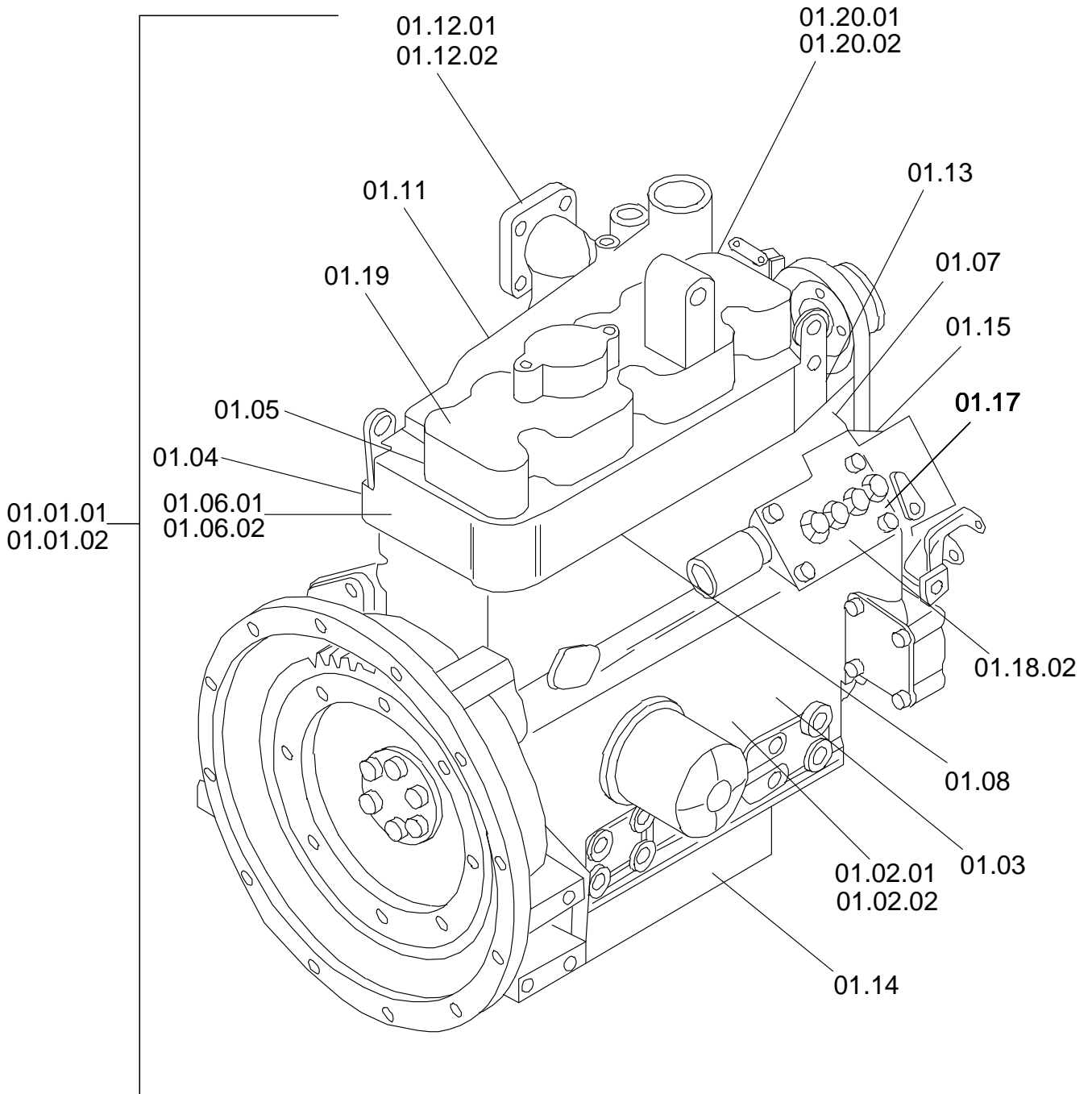
LS160 LS170



ENGINE PICTORIAL INDEX

MOTORE  
MOTEUR  
MOTOR

0



MOTOR  
MOTOR  
MOTOR  
MOTOR

0

R	N	P.N.	MOD	Q	Description Denominacion	Descrizione Denominação	Description Beschrijving	Bezeichnung Beskrivelse	L.C.
---	---	------	-----	---	-----------------------------	----------------------------	-----------------------------	----------------------------	------

**LS160 LS170**

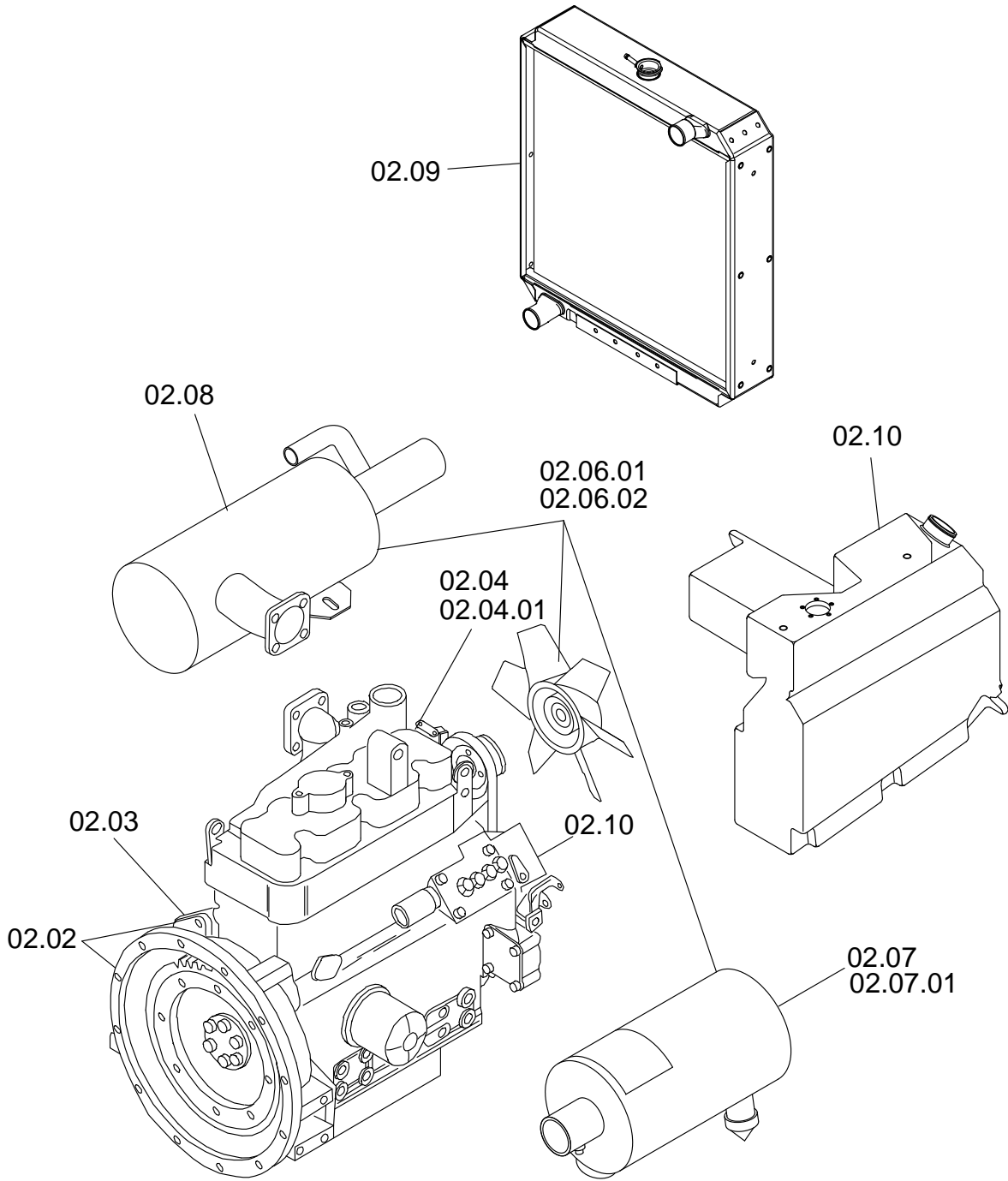
ENGINE ATTACHING EQUIPMENT PICTORIAL INDEX

ACCESSORI DEL MOTORE

ACCESSOIRES MOTEUR

MOTOR ZUBEHÖR

0

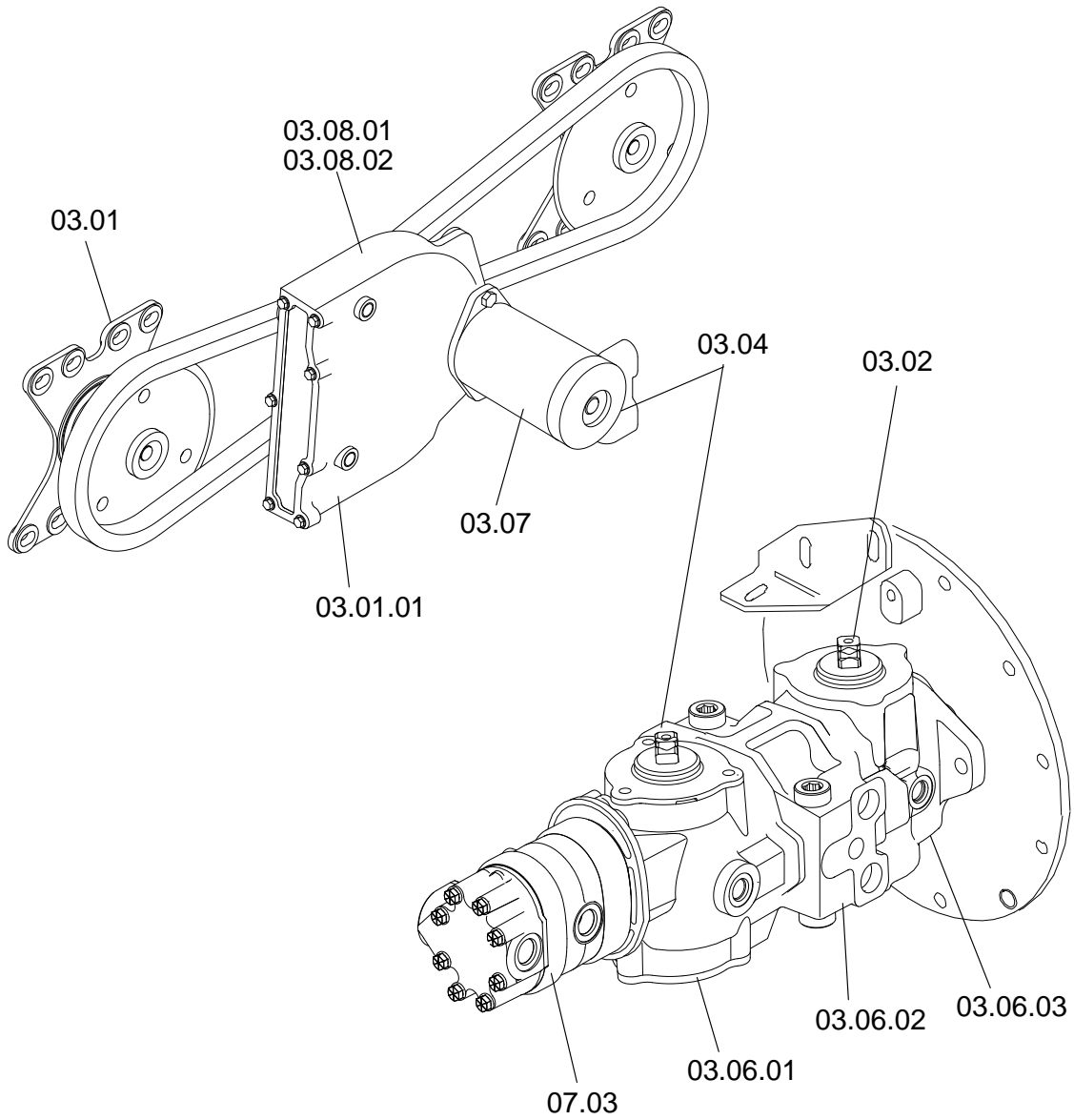


ACCESORIOS MOTOR  
ACESSORIOS DO MOTOR  
TOEBEHOREN MOTOR  
MOTORDELE

0

R	N	P.N.	MOD	Q	Description Denominacion	Descrizione Denominação	Description Beschrijving	Bezeichnung Beskrivelse	L.C.
							<b>LS160 LS170</b>		

HYDROSTATIC DRIVE PICTORIAL INDEX  
TRASMISSIONE IDROSTATICA  
TRANSMISSION HYDROSTATIQUE  
HYDROSTATISCHER ANTRIEB

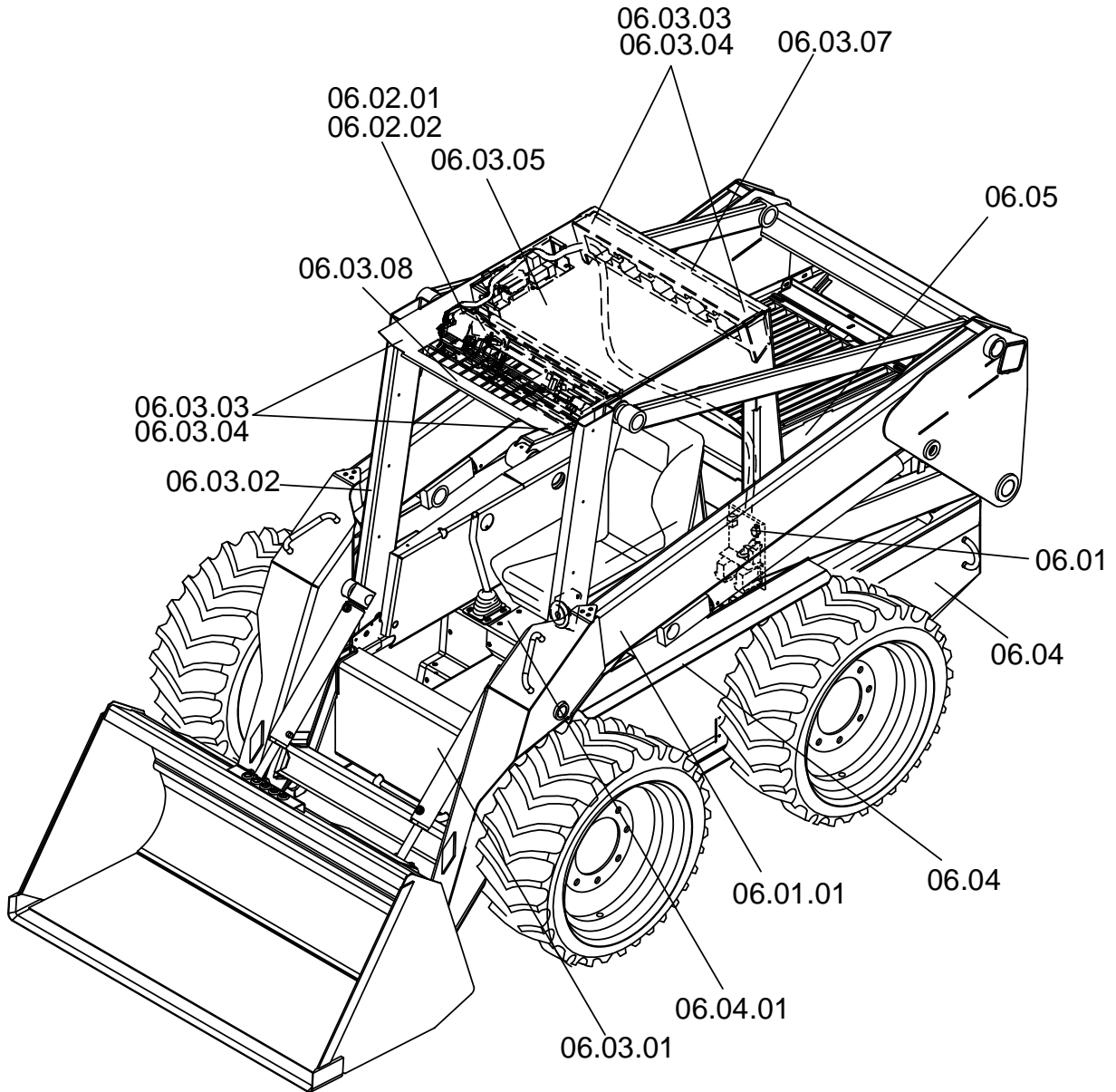


TRANSMISIÓN HIDROSTÁTICA  
TRANSMISSÃO HIDROSTÁTICA  
HYDROSTATISCHE AANDRIJVING  
HYDROSTATISK DREV

0

R	N	P.N.	MOD	Q	Description Denominacion	Descrizione Denominação	Description Beschrijving	Bezeichnung Beskrivelse	L.C.
							<b>LS160 LS170</b>		

ELECTRICAL PICTORIAL INDEX  
IMPIANTO ELETTRICO  
ELECTRIQUE  
ELEKTRISCHE



**BUY NOW**

**Then Instant Download  
the Complete Manual  
Thank you very much!**