

# PARTS CATALOG

**Product Line**

**CATALOGO PARTI  
DI RICAMBIO**

**Model LS180.B**

**CATALOGUE DES PIECES  
DETACHEES**

**ERSATZTEILKATALOG**

**CATÁLOGO DES PIEZAS  
DE REPUESTO**

**CATÁLOGO DE PEÇAS  
SOBRESSALENTES**

**ONDERDELENLIJST**

**RESERVEDELSKATALOG**

**CATALOGUE n. 604.04.322.00**  
1<sup>st</sup> Edition 05 - 2005

 **NEW HOLLAND**

---

# TABLE OF CONTENTS

---

02-01	RADIATOR - COOLANT RECOVERY SYSTEM
02-02	FAN - FAN BELT
02-03	EXHAUST SYSTEM
02-03A	MUFFLER - ASPIRATED
02-04	AIR CLEANER - ENGINE
02-05	ENGINE - MOUNTING
02-06	OIL FILL, ENGINE
02-07	ENGINE - BLOCK HEATER
02-07A	GRID HEATER
02-08	ENGINE
02-08A	ENGINE - TIMER
02-09	CYLINDER BLOCK
02-10	CYLINDER BLOCK
02-11	OIL PUMP, PAN
02-12	CYLINDER BLOCK - COVERS
02-13	BREATHER - ENGINE
02-14	CYLINDER HEAD
02-15	CYLINDER HEAD - COVERS
02-16	CYLINDER HEAD - VALVE MECHANISM
02-17	INTAKE MANIFOLD
02-18	EXHAUST MANIFOLD
02-19	CRANKSHAFT
02-20	CONNECTING ROD
02-21	PISTON - ENGINE
02-22	FLYWHEEL - ENGINE
02-23	PULLEY - CRANKSHAFT
02-24	CAMSHAFT - TIMING CONTROL
02-26	ENGINE, OIL
02-27	OIL PUMP - ENGINE
02-28	OIL FILTERS - ENGINE
02-30	OIL FILTER AND COOLER
02-31	WATER PUMP
02-32	COOLING SYSTEM - ENGINE
02-33	THERMOSTAT - ENGINE COOLING SYSTEM
02-34	WATER PUMP - CONTROL
02-35	FAN DRIVE
02-36	POWER TAKE OFF
02-37	ENGINE - LIFT HOOK
03-01	FUEL TANK
03-02	CONTROLS - THROTTLE
03-03	FUEL INJECTION PUMP
03-04	FUEL INJECTION SYSTEM - INJECTOR
03-05	INJECTION PUMP - CONTROL
03-07	FUEL INJECTION SYSTEM
03-08	FUEL FILTER
03-09	FUEL PUMP
03-10	FUEL INJECTION SYSTEM
04-01	STARTER MOUNTING - ALTERNATOR MOUNTING
04-01A	ALTERNATOR
04-02	BATTERY - CABLES
04-03	ELECTRIC, CAB
04-03A	ELECTRIC, CAB (EUROPE)
04-04	ELECTRIC, CAB - 4-WAY FLASHERS
04-05	ELECTRIC, ENGINE
04-06	ELECTRIC, MAIN

---

# TABLE OF CONTENTS

---

04-07	ELECTRIC, MAIN
04-08	ELECTRIC, CHASSIS
04-09	ELECTRIC, MOUNTING PLATE
04-10	BACKUP ALARM
04-11	HORN AND TURN SIGNAL
04-12	REMOTE JUMP START
04-13	ELECTRIC POWER KIT
04-14	WARNING BEACON LIGHT
04-15	REAR LIGHT BAR, ON-ROAD, EUROPE
04-16	BOOM, ON ROAD, EUROPE
04-17	FRONT HEADLAMP, ON-ROAD, EUROPE
06-01	PUMP, TANDEM - MOUNTING
06-02	HYDROSTATICS - TANDEM PUMP
06-03	HYDROSTATICS - PUMP TO MANIFOLD
06-04	HYDROSTATICS - TWO SPEED
06-05	HYDROSTATICS - TWO SPEED, VALVE ASSY
06-06	PUMP, GEAR
06-07	PUMP, GEAR (HIGH FLOW)
06-08	MOTOR ASSY - SINGLE SPEED
06-09	MOTOR ASSY - SINGLE SPEED
06-10	MOTOR ASSY - SINGLE SPEED
06-11	MOTOR ASSY - TWO SPEED
06-12	MOTOR ASSY - TWO SPEED
06-13	MOTOR ASSY - TWO SPEED
06-14	PUMP, TANDEM
06-15	PUMP, TANDEM
06-16	PUMP, TANDEM
06-17	PUMP, TANDEM
06-18	PUMP, TANDEM
06-19	PUMP, TANDEM
06-20	FINAL DRIVE
06-21	TRANSMISSION CENTERING
06-22	WHEELS
07-01	BRAKE SYSTEM - HYDRAULIC
07-02	BRAKE, ON-ROAD, EUROPE
08-01	CONTROL VALVE
08-02	HYDRAULICS - CONTROL VALVE
08-03	BUCKET HYDRAULICS, STANDARD
08-04	HYDRAULICS - BUCKET, HIGH FLOW
08-05	HYDRAULICS - BOOM, STANDARD
08-06	HYDRAULICS - BOOM, HIGH FLOW
08-07	HYDRAULICS - HIGH FLOW
08-08	HYDRAULICS - HIGH FLOW
08-09	HYDRAULIC OIL COOLER - HIGH FLOW
08-10	VALVE ASSY, CONTROL - HAND CONTROL
08-11	VALVE ASSY, CONTROL - FOOT CONTROL
08-11A	VALVE ASSY, CONTROL - SEAL REPLACEMENT KITS
08-12	VALVE ASSY, HIGH FLOW
08-12A	VALVE ASSY, HIGH FLOW
08-13	HYDRAULICS - MOUNTING PLATE
08-14	VALVE ASSY - MOUNTING PLATE
08-15	HYDRAULICS - MOUNTING PLATE, WITHOUT HIGH FLOW
08-16	HYDRAULICS - MOUNTING PLATE, HIGH FLOW
08-18	BUCKET CYLINDER
08-19	BOOM CYLINDER

---

# TABLE OF CONTENTS

---

08-20	FILTER AND RESERVOIR
08-21	FILTER ASSY
08-22	CONNECT UNDER PRESSURE COUPLERS
09-01	CHASSIS
09-02	PLATES, FLOOR
09-02A	FIRE EXTINGUISHER & INSIDE REAR-VIEW MIRROR
09-03	MOUNTING PLATE
09-04	BOOM
09-04A	BOOM (EUROPE)
09-05	BOOM LOCK
09-05A	BOOM FLOAT KIT
09-06	BUCKETS - LOADER, DIRT / FOUNDRY
09-07	BUCKETS - LOADER, EXTENDED LOW PROFILE
09-08	BUCKETS - LOADER, UTILITY / LIGHT MATERIAL
09-09	BUCKETS - LOADER, MANURE / SLURRY
09-09A	BUCKET, CUTTING EDGE
09-10	PALLET FORK
09-11	FENDERS
09-11A	REAR FENDERS
09-12	CAB
09-13	THRESHOLD - REAR WINDOW
09-14	CAB - WINDOWS
09-15	CAB DOOR
09-16	CAB DOOR - WIPER
09-17	CAB DOOR
09-17A	DOOR - SWITCH ASSY
09-18	DEMOLITION DOOR
09-19	DOOR, REAR
09-20	REAR HOOD
09-21	CAB HEADLINER
09-22	HEADLINER, CAB HEATER
09-23	HEATER SYSTEM
09-24	CAB HEATER
09-25	HEATER AND AIR CONDITIONING
09-26	COMPRESSOR - CONDENSER, MODELS WITH AIR CONDITIONING
09-27	HEADLINER, MODELS WITH AIR CONDITIONING
09-27A	NOISE CONTROL - EUROPE
09-27B	MISCELLANEOUS PARTS, ON-ROAD - EUROPE
09-28	AIR CONDITIONING ASSY
09-29	HAND CONTROL - LEVERS
09-30	HAND CONTROL - KICK PANEL
09-31	HAND CONTROL - KICK PANEL
09-32	HAND CONTROL - TUNNEL COMPONENTS
09-33	HAND CONTROL - PEDALS
09-35	FOOT CONTROL - LEVERS
09-36	FOOT CONTROL - KICK PANEL, RIGHT HAND
09-37	FOOT CONTROL - KICK PANEL, LEFT HAND
09-38	MULTIFUNCTION HANDLE - RIGHT HAND
09-39	STANDARD HANDLE - RIGHT HAND, TWO SPEED
09-40	PEDAL ASSY
09-41	SEAT ASSY, STANDARD
09-41A	SEAT ASSY, STANDARD
09-42	SEAT ASSY, SUSPENSION
09-42A	SEAT ASSY, SUSPENSION
09-43	SEAT BELT, STANDARD

---

## TABLE OF CONTENTS

---

09-44	SEAT BELT
09-44A	SEAT BELTS, OPTIONAL
09-45	FOREARM REST
09-46	COUNTERWEIGHT
09-46A	SLOW MOVING VEHICLE EMBLEM KIT
09-47	DECALS - MODEL
09-47A	DECALS - MODEL (EUROPE)
09-48	DECALS
09-49	DECALS
09-50	DECALS
09-51	DECALS

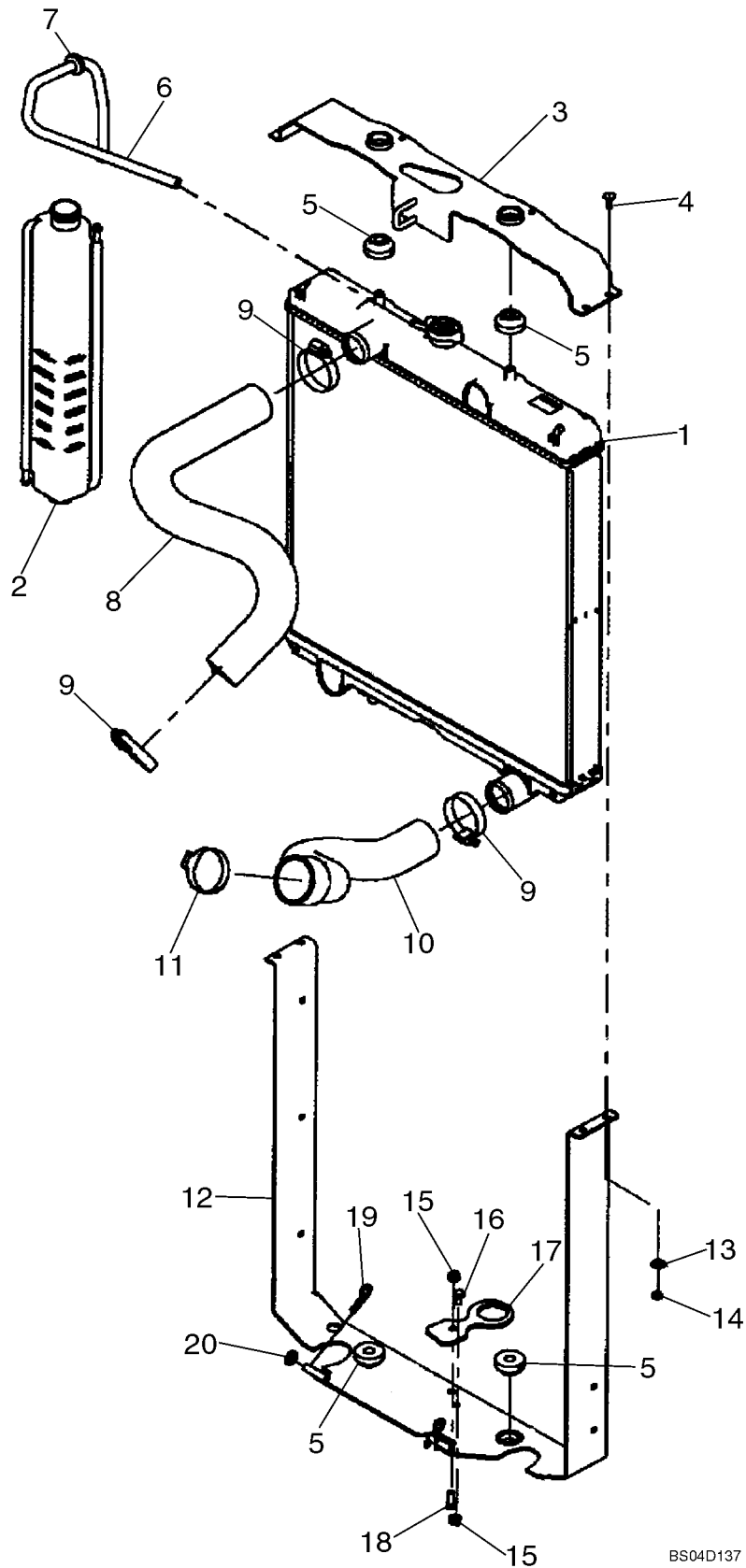
---

## SECTION INDEX

---

02-01	RADIATOR - COOLANT RECOVERY SYSTEM
02-02	FAN - FAN BELT
02-03	EXHAUST SYSTEM
02-03A	MUFFLER - ASPIRATED
02-04	AIR CLEANER - ENGINE
02-05	ENGINE - MOUNTING
02-06	OIL FILL, ENGINE
02-07	ENGINE - BLOCK HEATER
02-07A	GRID HEATER
02-08	ENGINE
02-08A	ENGINE - TIMER
02-09	CYLINDER BLOCK
02-10	CYLINDER BLOCK
02-11	OIL PUMP, PAN
02-12	CYLINDER BLOCK - COVERS
02-13	BREATHER - ENGINE
02-14	CYLINDER HEAD
02-15	CYLINDER HEAD - COVERS
02-16	CYLINDER HEAD - VALVE MECHANISM
02-17	INTAKE MANIFOLD
02-18	EXHAUST MANIFOLD
02-19	CRANKSHAFT
02-20	CONNECTING ROD
02-21	PISTON - ENGINE
02-22	FLYWHEEL - ENGINE
02-23	PULLEY - CRANKSHAFT
02-24	CAMSHAFT - TIMING CONTROL
02-26	ENGINE, OIL
02-27	OIL PUMP - ENGINE
02-28	OIL FILTERS - ENGINE
02-30	OIL FILTER AND COOLER
02-31	WATER PUMP
02-32	COOLING SYSTEM - ENGINE
02-33	THERMOSTAT - ENGINE COOLING SYSTEM
02-34	WATER PUMP - CONTROL
02-35	FAN DRIVE
02-36	POWER TAKE OFF
02-37	ENGINE - LIFT HOOK

RADIATOR - COOLANT RECOVERY SYSTEM  
RADIATORE - SISTEMA DI RECUPERO DEL REFRIGERANTE  
RADIATEUR - CIRCUIT DE RECUPERATION DU LIQUIDE DE REFROIDISS  
KÜHLER - KÜHLMITTEL-RÜCKGEWINNUNGSSYSTEM



RADIADOR - SISTEMA DE RECUPERACION DEL REFRIGERANTE  
 RADIADOR - SISTEMA DE RECUPERAÇÃO DO FLUIDO DE REFRIGERAÇÃO  
 RADIATOR - KOELVLOEISTOFOPVANGSYSTEEM  
 KØLER - KØLEMIDDELGENINDVINDINGSSYSTEM

R	N	P.N.	MOD	Q	Description Denominacion	Descrizione Denominação	Description Beschrijving	Bezeichnung Beskrivelse	L.C.
1		{87013856}		1	RADIATOR Incl. 1A, 1B RADIADOR	RADIATORE ARREFECEDOR	RADIATEUR RADIATORKOELER	KÜHLER KØLER	025R
1A		87032485		1	FITTING Drain; Not Illustrated	RACCORDO	RACCORD	ANSCHLUSSSTÜCK	3300
					CONEXION	CONEXAO	FITTING	FITTING	
1B		87032486		1	CAP, RADIATOR Not Illustrated	TAPPO RADIATORE	BOUCHON RADIATEUR	KÜHLERDECKEL	039T
					TAPON RADIADOR	TAMPAO	RADIATORDOP	KOELERDAEKSEL	
2		87020980		1	RESERVOIR, COOLANT EXPNSN Coolant Recovery; Incl. Cap 257884A1	SERBATOIO A DEPRESSE	RESERVOIR DEPRESSE	KÜHLMITTELAUSGLEICH	117S
					DEPOSITO DE VACIO	DEPOSITO DE VACUO	VACUUMTANK	VAKUMTANK	
		{257884A1}		1	PLUG	TAPPO	BOUCHON	STOPFEN	6400
					TAPÓN	BUJAO	PLUG	PROP	
3		87459340		1	FRAME Upper Radiator; Component Parts Not Serviced Separately	INTELAIAIATURA	CHASSIS	RAHMENGESTELL	072I
					ESTRUCTURA	CHASSIS	KADER	CHASSIS	
4		80280638		4	BOLT 1/4 x 3/4	BULLONE	BOULON	SCHAUBENBOLZEN	140B
					TORNILLO	PARAFUSO	BOUT	SKRUE	
5		87017045		4	CUSHION	CUSCINO	COUSSIN	POLSTER	2460
					COJIN	COXIM	CUSHION	PUDE	
6		87044030		1	HOSE Coolant Recovery	MANICOTTO FLESSIBILE	FLEXIBLE	SCHLAUCH	030M
					MANGA	TUBO FLEXIVEL	FLEXIBELE BUIS	SLANGE	
7		86502507		1	GROMMET 5/8 ID	ANELLO PASSACAVO	PASSE-FIL	TÜLLE	131A
					PASACABLES	CASQUILHO ISOLADOR	KABELDOORGANG	RING	
8		87038470		1	HOSE, LARGE Upper Radiator	TUBO FLESSIBILE,GRDE	Durite	SCHLAUCH, GROSS	Z336
					Manguito	MANGOTE	HOSE, LARGE	HOSE, LARGE	
9		86050202		3	CLIP, HOSE	COLLARE	COLLIER	SCHLAUCHKLEMME	180C
					COLLAR	COLAR	BUISKLEM	KRAVE	
10		87038471		1	HOSE, LARGE Lower Radiator	TUBO FLESSIBILE,GRDE	Durite	SCHLAUCH, GROSS	Z336
					Manguito	MANGOTE	HOSE, LARGE	HOSE, LARGE	
11		80045014		1	CLAMP	MORSETTO	BRIDE	KLEMME	120M
					BORNE	BORNE	KLEM	SPÆNDEBÅND	
12		87459339		1	FRAME Lower Radiator	INTELAIAIATURA	CHASSIS	RAHMENGESTELL	072I
					ESTRUCTURA	CHASSIS	KADER	CHASSIS	
13		80322357		4	WASHER, LOCK Belleville, M6	ROSETTA DI SICUREZZA	RONDELLE FREIN	SPRENGRING	132R
					ARANDELA DE FRENO	ANILHA DE FIXACAO	VEERRING	LAASESKIVE	
14		80007770		4	NUT 1/4	DADO	ECROU	MUTTER	010D
					TUERCA	PORCA	MOER	MOETRIK	
15		80280736		2	NUT, LOCK 5/16	CONTRODADO	CONTRE-ECROU	KONTERMUTTER	P263
					CONTRA TUERCA	CONTRA PORCA	NUT, LOCK	NUT, LOCK	
16		80088574		1	SCREW 5/16 x 1/2	VITE	VIS	SCHRAUBE	040V
					TORNILLO	PARAFUSO	SCHROEF	SKRUE	
17		87038914		1	PLATE Pull	PIASTRA	PLAQUE	PLATTE	105P
					PLACA	CHAPA	PLAAT	PLADE	
18		80087872		1	SCREW 5/16 x 3/4	VITE	VIS	SCHRAUBE	040V
					TORNILLO	PARAFUSO	SCHROEF	SKRUE	

**LS180.B**

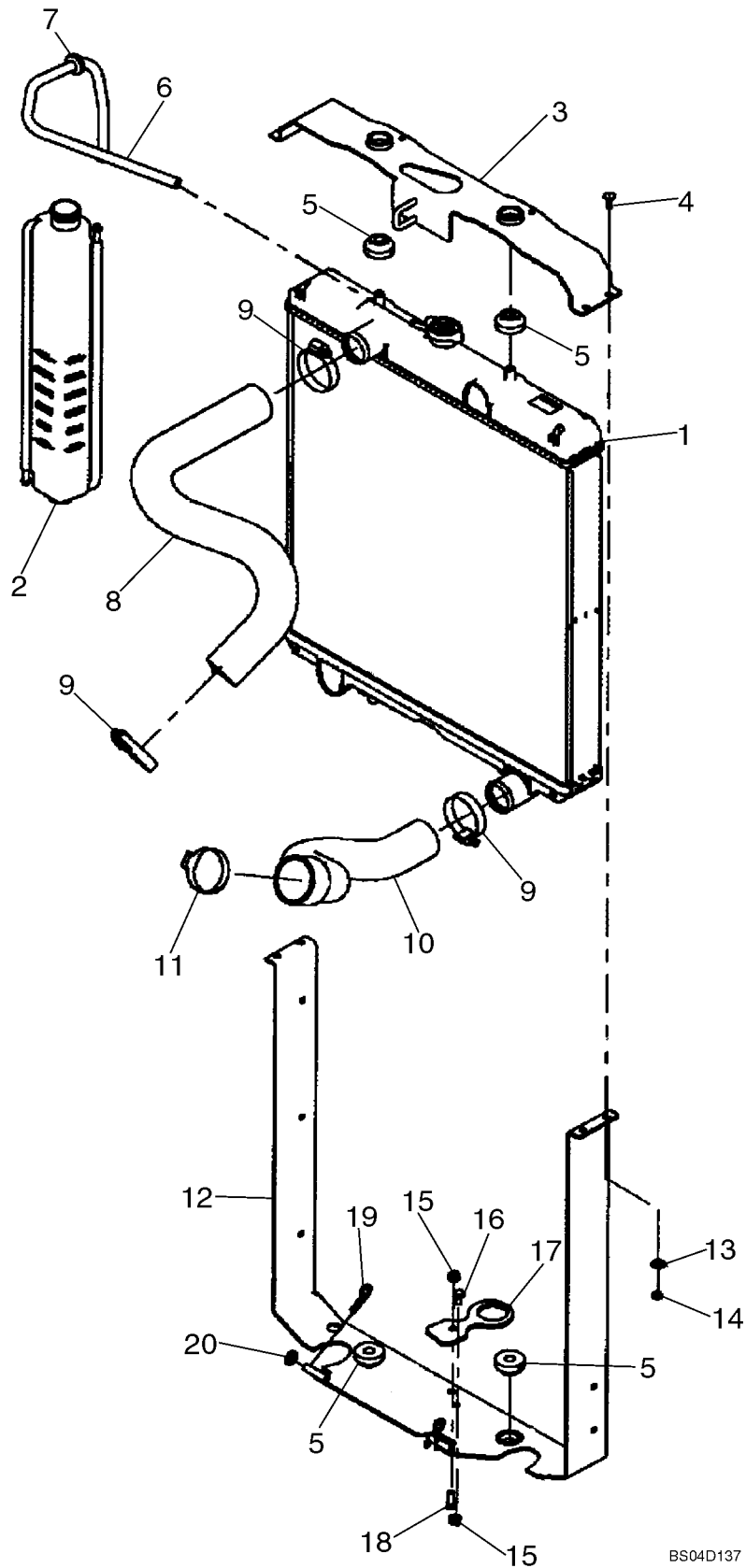


## RADIATOR - COOLANT RECOVERY SYSTEM

RADIATORE - SISTEMA DI RECUPERO DEL REFRIGERANTE

RADIATEUR - CIRCUIT DE RECUPERATION DU LIQUIDE DE REFROIDISS

KÜHLER - KÜHLMITTEL-RÜCKGEWINNUNGSSYSTEM

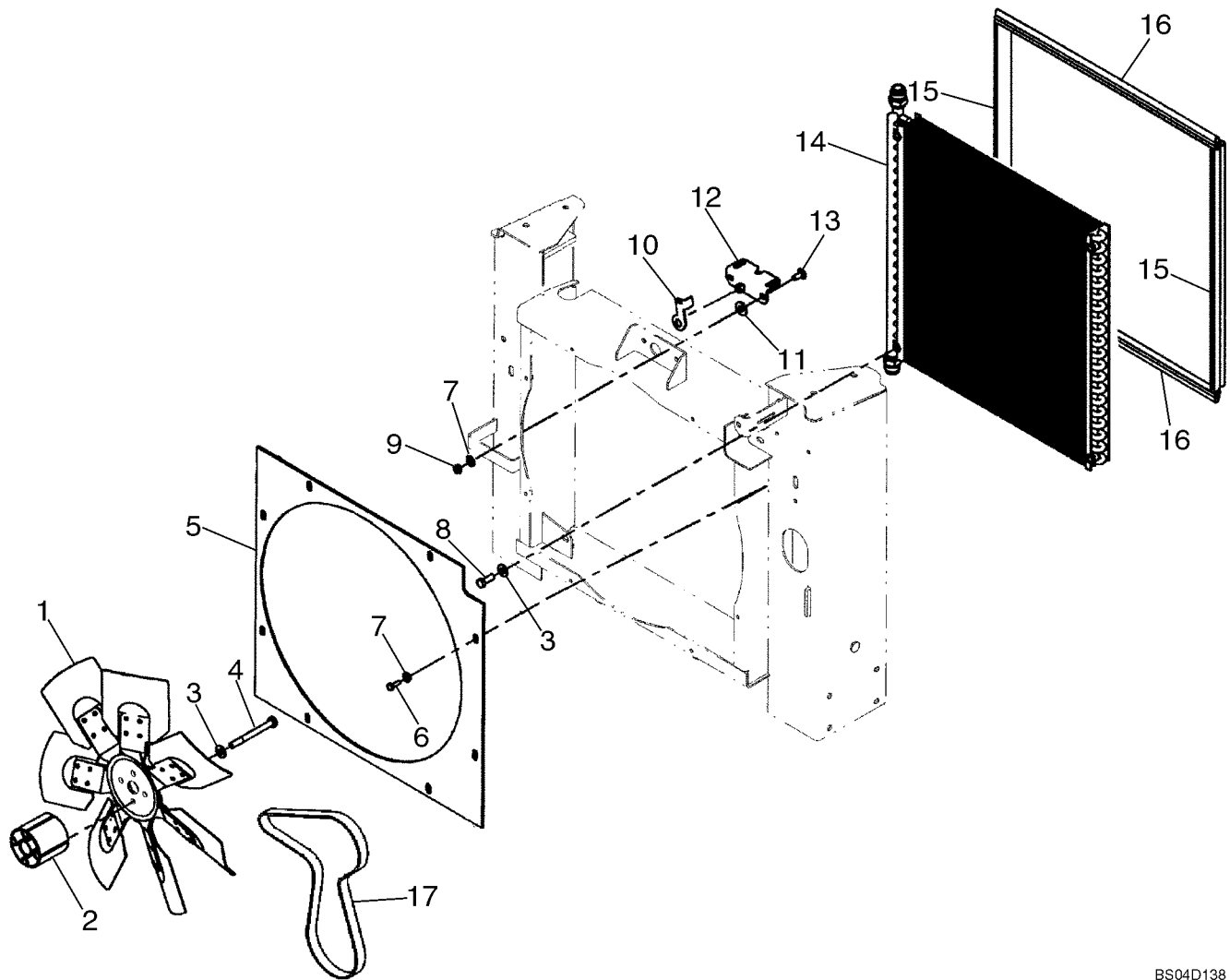


RADIADOR - SISTEMA DE RECUPERACION DEL REFRIGERANTE  
 RADIADOR - SISTEMA DE RECUPERAÇÃO DO FLUIDO DE REFRIGERAÇ  
 RADIATOR - KOELVLOEISTOFOPVANGSYSTEEM  
 KØLER - KØLEMIDDELGENINDVINDINGSSYSTEM

R	N	P.N.	MOD	Q	Description Denominacion	Descrizione Denominação	Description Beschrijving	Bezeichnung Beskrivelse	L.C.
19		80216698		2	PIN, SPLIT (COTTER) PASADOR ABIERTO	COPPIGLIA TROCO DE ABRIR	GOUPILLE SPLITPEN	SPLINT SPLITBOLT	270C
20		86624176		2	WASHER 11 x 20 x 2 mm ARANDELA	ROSETTA PIANA ANILHA	RONDELLE SLUITRING	BEILAGSCHEIBE FLADSKIVE	131R

**LS180.B**

FAN - FAN BELT  
VENTILATORE - CINGHIA DEL VENTILATORE  
VENTILATEUR - COURROIE DU VENTILATEUR  
LÜFTER - LÜFTERRIEMEN



**BUY NOW**

**Then Instant Download  
the Complete Manual  
Thank you very much!**