
TABLE OF CONTENTS

00.100	2990670000	BASIC MACHINE
01.100	2990738000	FRAME BASIC MACHINE WITH MOUNT. PARTS
01.400	2990739000	FRONT FRAME WITH MOUNT. PARTS
01.450	2987185000	JOINT PARTS FRAME
01.500	2988642002	REAR FRAME WITH MOUNT. PARTS
01.680	2988643000	WHEEL COVER INSTALL.MATERIAL
01.682	2988647000	WHEEL COVER
01.810	2991945001	STEPS INSTALL.MATERIAL
01.830	6559701000	WEDGE INSTALL.MATERIAL`
02.002	2988509000	AXLES ASSEMBLY SET STANDARD
02.002	2988510000	AXLES ASSEMBLY SET SELF-LOCKING
02.005	2987098000	AXLES COMPLETE STANDARD
02.005	2988165000	AXLES COMPLETE SELF-LOCKING
02.020	2987190001	SWING AXLE INSTALL.MATERIAL STANDARD
02.020	2987192000	SWING AXLE INSTALL.MATERIAL STANDARD
02.020	2988163001	SWING AXLE INSTALL.MATERIAL SELF-LOCKING
02.020	2988164000	SWING AXLE INSTALL.MATERIAL SELF-LOCKING
02.021	2987193000	SWING AXLE MOUNTING PARTS STANDARD
02.021	2988162000	SWING AXLE MOUNTING PARTS SELF-LOCKING
02.022	2987194000	SWING AXLE STANDARD
02.022	2988161000	SWING AXLE SELF-LOCKING
02.023	2988737000	SWING AXLE HOUSING
02.060	2987189001	RIGID AXLE INSTALL.MATERIAL STANDARD
02.061	2987704000	RIGID AXLE MOUNTING PARTS STANDARD
02.062	2988325000	RIGID AXLE HOUSING
02.062	2988332000	RIGID AXLE
02.220	2988327000	WHEEL HUB FRONT
02.220	2988328000	WHEEL HUB PLANETARY GEAR
02.220	2988739000	WHEEL HUB REAR
02.220	2988740000	WHEEL HUB PLANETARY GEAR
05.090	2987541001	WHEELS INSTALL.MATERIAL 365/70R18EM
05.090	2987542000	WHEELS INSTALL.MATERIAL 335/80 R18
05.090	2987543001	WHEELS INSTALL.MATERIAL 335/80R18EM
05.090	2987544000	WHEELS INSTALL.MATERIAL 12.5-18 MPT E91-2ET10
05.090	2991177000	WHEELS INSTALL.MATERIAL 12,5-18 10P
05.100	2985708000	WHEELS 12.5-18 MPT E91-2-ET
05.100	2985709000	WHEELS 335/80R18EM
05.100	2985710000	WHEELS 335/80 R18
05.100	2985711000	WHEELS 365/70R18EM
05.100	2991178000	WHEELS 12,5-18 10P
05.130	2991179000	TRACK EXTENSION 100 MM
07.010	2987191000	PROP SHAFT INSTALL.MATERIAL STANDARD
10.100	2987410001	HYD. OIL TANK INSTALL.MATERIAL
10.102	2988029000	HYD. OIL TANK
10.102	2988030000	HYD. OIL TANK
10.103	01	COLD START
10.202	2987090000	FUEL TANK
12.010	2990735001	BALLAST INSTALL.MATERIAL
12.040	2987516001	REAR WEIGHT INSTALL.MATERIAL
13.011	2987099002	MOTOR MOUNTING PARTS
13.110	2486328001	REGULATION MOTOR SPEED (OPTION)
13.220	2987178000	EXHAUST SYSTEM INSTALL.MATERIAL
13.222	2987651000	EXHAUST SYSTEM MUFFLER
13.230	2987245001	INTAKE SYSTEM INSTALL.MATERIAL
13.300	2987177003	FUEL SYSTEM

TABLE OF CONTENTS

15.120	2987067000	COOLING SYSTEM ENGINE OIL INSTALL.MATERIAL
15.121	2987087002	COMB. COOL. SYST. WATER/OIL MOUNTING PARTS
15.122	2988638000	RADIATOR ENGINE OIL
16.082	2988736001	TRANSFER GEARBOX
16.600	2988309000	DIFFERENTIAL
16.600	2988326000	DIFFERENTIAL
16.600	2988732000	DIFFERENTIAL
16.600	2988738000	DIFFERENTIAL
16.610	2988741000	DIFFERENTIAL SELF-LOCKING REAR
17.102	2987085000	COUPLING/CLUTCH
19.202	2988313000	SERVICE BRAKE FRONT AXLE
20.010	2987179000	HYDRAULIC SYSTEM BASIC MACHINE
20.100	2987632002	HYDRAULIC SYSTEM DRIVING
20.500	2989809000	HYDRAULIC SYSTEM WORK
20.520	2988776000	RIDECONTROL COMPLETE
20.521	2988514000	HYDRAULIC SYSTEM RIDECONTROL
20.522	2988486000	ELECTRICAL SYSTEM RIDECONTROL
20.530	2987633001	HYDRAULIC SYSTEM STEERING
20.540	2987634003	HYDRAULIC SYSTEM BRAKE
20.540	2988217002	HYDRAULIC SYSTEM BRAKE
20.560	2990504000	HYDRAULIC SYSTEM QUICK-HITCH
20.570	2731348004	HYDRAULIC SYSTEM ADDITIONAL FUNCT.
22.050	2987621001	GEAR PUMP INSTALL.MATERIAL
22.052	2987622001	GEAR PUMP
22.052	2988406000	GEAR PUMP
22.052	2989724000	GEAR PUMP
22.052	2989726000	GEAR PUMP
22.060	2987246000	AXIAL PISTON PUMP INSTALL.MATERIAL
22.062	2987652000	AXIAL PISTON PUMP
22.064	2988405000	DRIVE DEVICE PUMP
22.066	2812206000	REGULATION PUMP
22.120	2987195000	AXIAL PISTON MOTOR INSTALL.MATERIAL
22.124	2902030000	DRIVE DEVICE HYDRAULIC MOTOR
22.126	2988373000	REGULATION HYDRAULIC MOTOR CONTROL UNIT
22.126	2988376000	REGULATION HYDRAULIC MOTOR
22.126	2988377000	REGULATION HYDRAULIC MOTOR LID
22.130	2989695000	GEAR MOTOR FAN
22.220	2939514002	HYDRAULIC FILTER
22.420	2988487000	VALVE BLOCK INSTALL.MATERIAL
22.422	2988488000	VALVE BLOCK
22.430	2811633000	DISTRIBUTOR PLATE PUMP INSTALL.MATERIAL
23.010	2988380000	HYDRAULIC SYSTEM VALVES SOLENOID VALVE
23.032	2811634001	PRESS.REL.VALVE
23.032	2903785000	PRESS.REL.VALVE
23.032	2989727000	PRESS.REL.VALVE
23.091	2988215001	STEERING VALVE MOUNTING PARTS
23.092	2716715000	STEERING VALVE
23.110	2811642002	VALVE MAX. LOAD CONTROL
23.142	2811662000	STOP VALVE
23.142	2811663002	STOP VALVE
23.192	2811636001	SWITCH-OVER VALVE
23.265	2988460000	PRESSUR.SWITCH OPERATORS CAB
23.611	2990070000	CONTROL BLOCK MOUNTING PARTS
23.611	2990428000	CONTROL BLOCK MOUNTING PARTS
24.062	2487417001	DUMP CYLINDER

TABLE OF CONTENTS

24.072	2990747000	LIFT CYLINDER
24.082	2990746000	TIP CYLINDER
24.122	4532257000	STEERING CYLINDER
24.122A	2991436000	STEERING CYLINDER
24.320	2942618001	CYLINDER QUICK-HITCH
26.082	2988234001	BRAKE VALVE
27.010	2990949001	HEATING INSTALLATION HP (OPTION)
27.011	2988891001	HEATING MOUNTING PARTS
27.011	2988892001	HEATING MOUNTING PARTS HP (OPTION)
27.400	2988478002	AIR CONDITION INSTALL.MATERIAL
27.400	2991308001	AIR CONDITION INSTALL.MATERIAL (OPTION)
27.401	2988893001	AIR CONDITION MOUNTING PARTS
27.420	2988477000	LIQUEFIER INSTALL.MATERIAL
27.450	2988483001	COMPRESSOR INSTALL.MATERIAL AIR CONDITION
32.010	2987071000	ELECTRICAL SYSTEM BASIC MACHINE COMPLETE
32.130	2987291001	ELECTRICAL SYSTEM FRONT CARRIAGE
32.133	2987732000	CABLE HARNESS FRONT CARRIAGE
32.140	2987290000	ELECTRICAL SYSTEM REAR CARRIAGE
32.142	2987292000	CABLE HARNESS INSTALL.MATERIAL REAR CARRIAGE
32.143	2987293000	CABLE HARNESS REAR CARRIAGE
32.152	2990013000	CENTRAL ELECTRONIC RELAY CIRCUIT BOA
32.170	2987294000	BATTERY INSTALL.MATERIAL
32.175	2990441000	MAIN SWITCH BATTERY INSTALL.MATERIAL
32.176	2941508000	MAIN SWITCH BATTERY
32.201	2984501002	ILLUMINATION FRONT MOUNTING PARTS LEFT-HAND
32.201	2984502002	ILLUMINATION FRONT MOUNTING PARTS RIGHT-HAND
32.210	2987295001	ILLUMINATION REAR INSTALL.MATERIAL
32.220	2988203000	TAILLIGHT BRAKE LIGHT
32.225	2988204000	REVERSING LIGHT TURN SIGNAL LIGHT
32.242	2990491000	LIC. PLATE LIGHT
32.243	2990492000	CABLE HARNESS LIC. PLATE LIGHT
32.273	2990471001	AIR CONDITION CABLE HARNESS (OPTION)
32.405	2988466000	DASHBOARD
32.405	2990002000	DASHBOARD
32.452	2990076000	GEARSHIFT LEVER
32.500	2988920000	ELECTRICAL SYSTEM OPERATORS CAB
32.500	2989844002	ELECTRICAL SYSTEM OPERATORS CAB
32.510	2989997001	CABLE HARNESS OPERATORS CAB KABINE
32.512	2989998000	OPERATORS CAB CABLE HARNESS BASE
32.514	2989999001	OPERATORS CAB CABLE HARNESS ROOF
32.520	2988792002	HEADLIGHT OPERATORS CAB INSTALL.MATERIAL REAR
32.522	2990556000	HEADLIGHT
32.592	2783610002	RADIO
32.592	2988775000	RADIO
32.740	2990727000	HEADLIGHT INSTALL.MATERIAL
32.753	2987734000	CABLE HARNESS RIDECONTROL
32.850	2988774001	BEACON LIGHT INSTALL.MATERIAL
32.852	2940767000	BEACON LIGHT
32.870	2988778000	SIGNAL INSTALL.MATERIAL SHIFTABLE
32.870	2989807000	SIGNAL INSTALL.MATERIAL PERMANENT
32.871	2988779000	SIGNAL CONTROL PANEL BACKUP SIGNAL
32.880	2990725000	ANTI-THEFT DECICE INSTALL.MATERIAL
32.882	2991164000	ANTI-THEFT DECICE ELECTRICAL SYSTEM
32.884	2991165000	ANTI-THEFT DECICE CABLE HARNESS
34.002	2988652000	OPERATORS CAB ASSEMBLY SET HEATING

TABLE OF CONTENTS

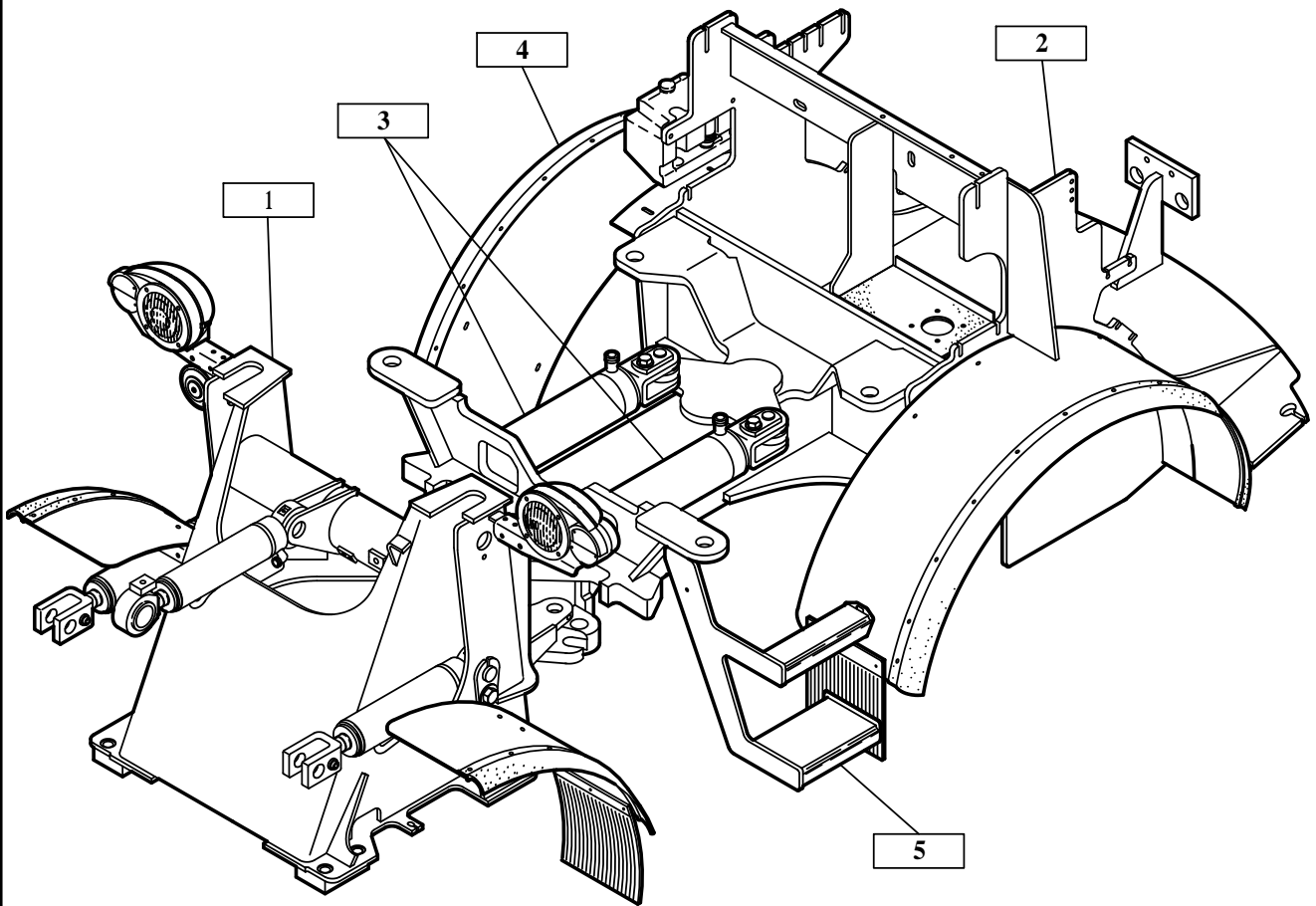
34.002	2988657000	OPERATORS CAB ASSEMBLY SET
34.002	2988722000	OPERATORS CAB ASSEMBLY SET AIR CONDITION
34.005	2988649000	CAB MODULE HEATING
34.005	2988654000	CAB MODULE AIR CONDITION
34.005	2988658000	CAB MODULE HEIZUNG HP
34.010	2987272000	CAB MODULE INSTALL.MATERIAL
34.012	2988651000	CAB MODULE HEATING
34.012	2988656000	CAB MODULE AIR CONDITION
34.012	2988660000	CAB MODULE
34.021	2989697003	OPERATORS CAB MOUNTING PARTS
34.021	2989698004	OPERATORS CAB MOUNTING PARTS
34.130	2989696002	CONTROL COLUMN INSTALL.MATERIAL
34.220	2989830003	CAB DOOR
34.230	2989699001	GLAZING OPERATORS CAB
34.236	2990728000	SKYLIGHT WINDOW (OPTION) (S/N 534501-UP)
34.282	2989832002	SIDE DOOR RIGHT-HAND (S/N 534501-UP)
34.500	2988720000	OPERATORS SEAT INSTALL.MATERIAL MECHAN.SUSPENSION
34.502	2988721000	OPERATORS SEAT MECHAN.SUSPENSION
34.506	2940677000	OPERATORS SEAT TOP MECHAN.SUSPENSION
34.507	2940683000	OPERATORS SEAT BOTTOM SECTION MECHAN.SUSPENSION
34.532	01	SAFETY BELT (OPTION)
35.070	2988122001	LICENCE PL.BRACKET INSTALL.MATERIAL REAR
36.020	2988645000	ENGINE HOOD INSTALL.MATERIAL
36.020	2988686000	ENGINE HOOD INSTALL.MATERIAL
42.020	2988159000	EQUIPMENT
42.050	2902539000	PROTECTOR 1900MM
60.500	2990750000	MAST INSTALL.MATERIAL
60.501	2990748000	MAST MOUNTING PARTS
60.502	2990505000	MAST
60.502	2990751000	MAST
64.010	2989537000	CLAMSHELL INSTALL.MATERIAL 650L-1900MM
64.011	2989533000	CLAMSHELL MOUNTING PARTS 650L-1890MM
64.011	2989535000	CLAMSHELL MOUNTING PARTS 650L-1890MM
64.012	2989534000	CLAMSHELL 650L-1890MM
64.012	2989536000	CLAMSHELL 650L-1890MM
64.014	2989522000	CLAMSHELL ASSEMBLY PARTS
64.040	2796866001	HYDRAULIC SYSTEM CLAMSHELL
64.200	2988927000	LOADING BUCKET INSTALL.MATERIAL 800L - 1900
64.200	2989503000	LOADING BUCKET INSTALL.MATERIAL 700L-1900MM
64.201	2988929000	BUCKET MOUNTING PARTS 800L - 1900
64.201	2989509000	BUCKET MOUNTING PARTS 700L-1900MM
64.201	2989512000	BUCKET MOUNTING PARTS 700L-1900MM
64.201	2989515000	BUCKET MOUNTING PARTS 800L-1900MM
64.202	2988991000	LOADING BUCKET 800L-1900MM
64.202	2988993000	LOADING BUCKET 800L-1900MM
64.202	2989504000	LOADING BUCKET 700L-1900MM
64.202	2989511000	LOADING BUCKET 700L-1900MM
64.204	2988988000	LOADING BUCKET ASSEMBLY PARTS
64.500	2988928000	BLADE INSTALL.MATERIAL 1900MM
70.100	2812321000	LOAD HOOK
70.300	2812457000	FORK CARRIAGE PROTECTOR
70.300	2989516000	FORK CARRIAGE
70.300	2989594000	FORK CARRIAGE
70.301	2989518000	FORK CARRIAGE COMPLETE
70.304	2989517000	ASSEMBLY PARTS FORK CARRIAGE

TABLE OF CONTENTS

70.320	2989593000	FORKS 100X45X1200
76.050	2732310001	POSITION INDICATOR
76.060	2988160000	LIFT ARM LOOK
76.200	2990412000	PIPE-BREAK PROTEC. INSTALL.MATERIAL
76.240	2939920000	PIPE-BREAK PROTEC. TIP CYLINDER
76.250	2811817001	PIPE-BREAK PROTEC. LIFT CYLINDER
76.350	2812454000	SHUTOFF DEVICE CYLINDER
91.010	2991092000	DECAL KIT DESIGN
91.020	2991089001	DECAL KIT CHARACTER
92.010	2987182000	TOOL SET
92.040	2991675000	TOOLBOX INSTALL.MATERIAL
92.042	2991676000	TOOLBOX
0.021	01	ENGINE
95.000	2987244000	MOTOR
95.001	2984858001	DIPSTICK
95.002	2746518001	OIL SUMP
95.005	2139021004	POWER TAKE-OFF
95.005	2984871001	FLYWHEEL
95.008	2432612001	FILLER CAP
95.008	2984883001	CYL.HEAD COVER
95.015	2432618001	LUBE OIL FILTER
95.015	2984889002	FILTER BRACKET
95.016	2432620001	HEATING
95.016	2984886001	WATER SUPPLY
95.019	2987819001	INJECTION VALVE
95.020	2432627001	BRACKET
95.020	2984890001	FILTER CARTRIDGE
95.020	2987818001	FUEL PUMP
95.021	2432632001	FUEL LINE
95.021	2987808001	FUEL LINE
95.021	2987817001	INJECTION PIPE
95.021	2987821001	FUEL LINE
95.021	2987822001	FUEL LINE
95.027	2987814010	CAP/CONTROLLER
95.041	2139820004	FLANGE
95.041	2984878001	EXHAUST COLLECTOR
95.044	2984849001	GENERATOR
95.044	2984875001	STARTER MOTOR
95.044	2984877001	AIR SHIELD
95.044	2984894001	FASTENING PARTS
95.044	2987838001	NARROW V-BELT
95.046	2192711001	ENGINE MOUNTING
95.046	2193648001	ENGINE MOUNTING
95.048	2984854001	BRACKET
95.048	2984876001	CONTROL UNIT
95.048	2987918001	CABLE HARNESS
95.051	2432648001	OIL PRESS.SWITCH
95.051	2432649001	TEMP.TRANSMITTER
95.056	2984864001	ENGINE SHUT-DOWN
95.063	2984881001	CABLE HARNESS
95.063	2984882001	HEATER PLUG

FRAME BASIC MACHINE WITH MOUNT. PARTS
TELAIO MACCHINA BASE SERIE MONTAGGIO
CADRE ENGINE DE BASE AV. PIECES MONT.
RAHMEN GRUNDGERAET MIT ANBAUTEILEN

1



01.100

2990738000 p1

12/06

BASTIDOR APARATO BASE C. PIEZAS DE MONT**RAMME**

R	N	P.N.	MOD	Q	Description Denominacion	Descrizione Denominação	Description Beschrijving	Bezeichnung Beskrivelse	L.C.
1		NS		1	FRONT FRAME WITH MOUNT. PARTS SEE FIGURE 01.400/2990739000	NON GESTITO	NON FOURNI	KEIN ERSATZTEIL	061N
					NO SE REPARA	NOT SERVICED	NIET GESTOCKEERD	NOT SERVICED	
2		NS		1	REAR FRAME WITH MOUNT. PARTS SEE FIGURE 01.500/2988642002	NON GESTITO	NON FOURNI	KEIN ERSATZTEIL	061N
					NO SE REPARA	NOT SERVICED	NIET GESTOCKEERD	NOT SERVICED	
3		NS		1	JOINT PARTS FRAME SEE FIGURE 01.450/2987185000	NON GESTITO	NON FOURNI	KEIN ERSATZTEIL	061N
					NO SE REPARA	NOT SERVICED	NIET GESTOCKEERD	NOT SERVICED	
4		NS		1	WHEEL COVER INSTALL.MATERIAL SEE FIGURE 01.680/2988643000	NON GESTITO	NON FOURNI	KEIN ERSATZTEIL	061N
					NO SE REPARA	NOT SERVICED	NIET GESTOCKEERD	NOT SERVICED	
5		NS		1	STEPS INSTALL.MATERIAL SEE FIGURE 01.810/2988644000	NON GESTITO	NON FOURNI	KEIN ERSATZTEIL	061N
					NO SE REPARA	NOT SERVICED	NIET GESTOCKEERD	NOT SERVICED	
990		{2772830}		AR	FRAME				

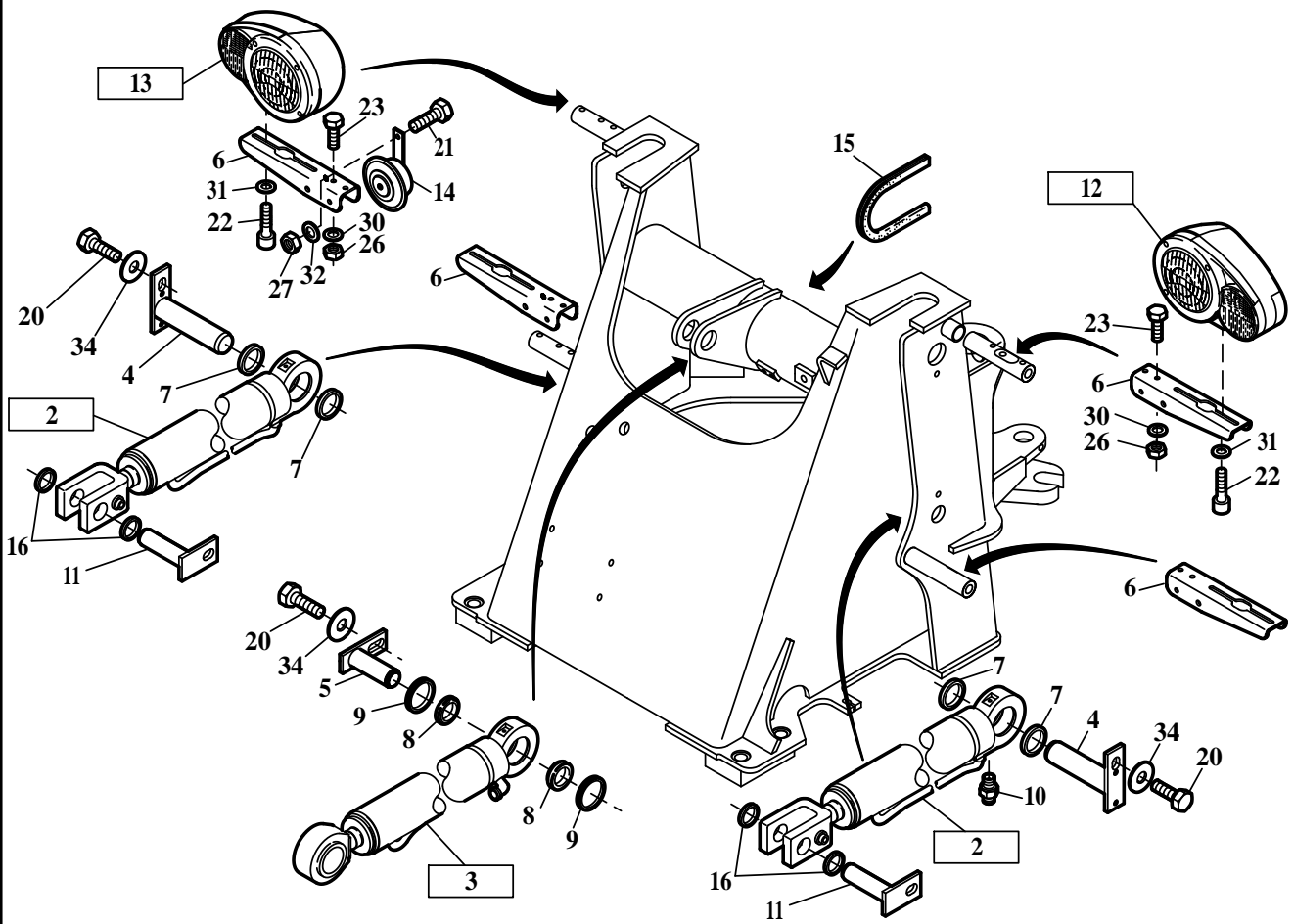
1

2992646

W50

FRONT FRAME WITH MOUNT. PARTS
TELAIO ANTERIORE SERIE MONTAGGIO
CHASSIS AVANT AV. PIECES MONT.
VORDERRAHMEN MIT ANBAUTEILEN

1



BASTIDOR DELANTERO C. PIEZAS DE MONT

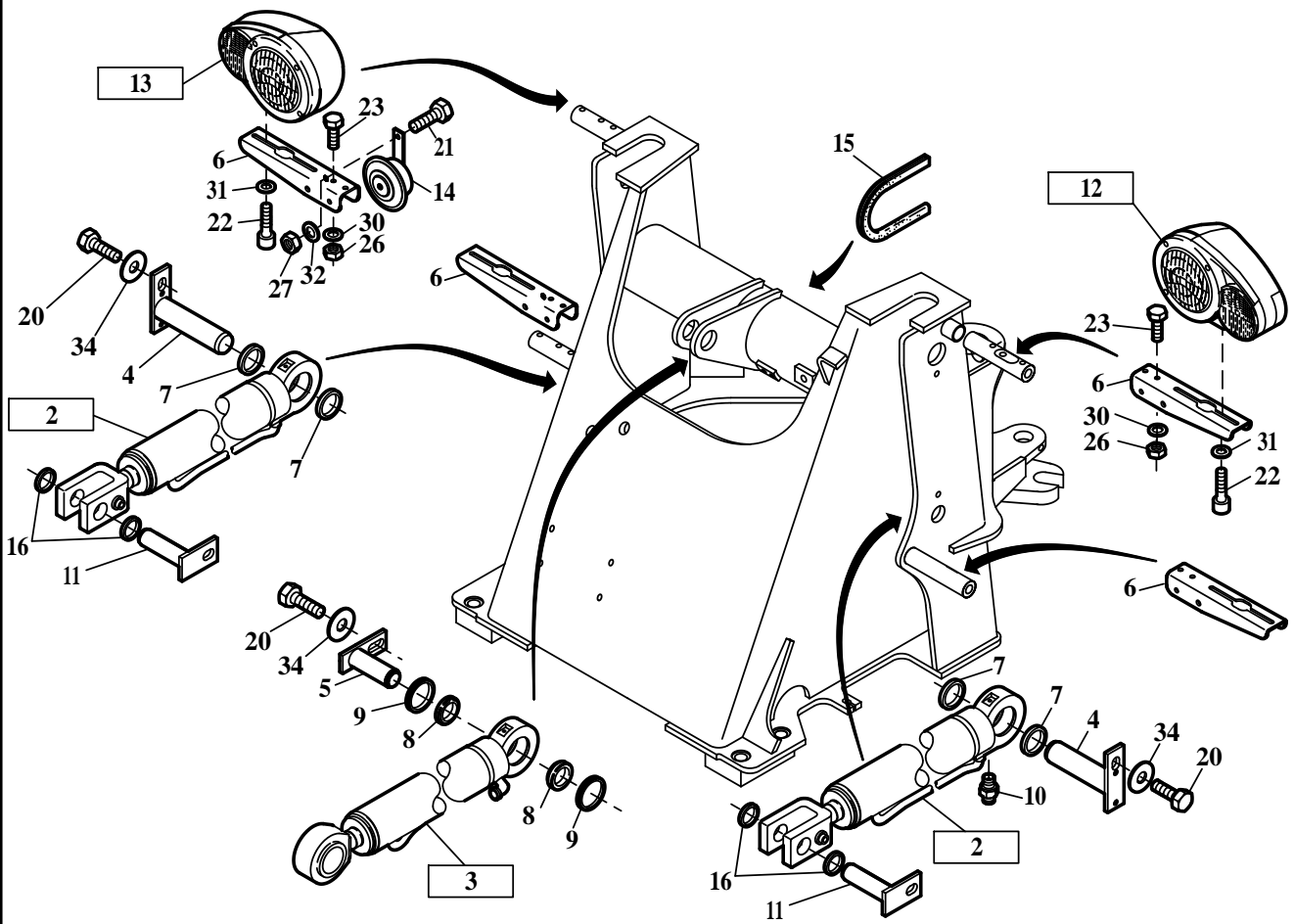
R	N	P.N.	MOD	Q	Description Denominacion	Descrizione Denominação	Description Beschrijving	Bezeichnung Beskrivelse	L.C.
2	NS			2	LIFT CYLINDER SEE FIGURE 24.072/2990747000	NON GESTITO	NON FOURNI	KEIN ERSATZTEIL	061N
					NO SE REPARA	NOT SERVICED	NIET GESTOCKEERD	NOT SERVICED	
3	NS			1	TIP CYLINDER SEE FIGURE 24.082/2990746000	NON GESTITO	NON FOURNI	KEIN ERSATZTEIL	061N
					NO SE REPARA	NOT SERVICED	NIET GESTOCKEERD	NOT SERVICED	
4	2772060			2	PIN	PERNO	AXE	BOLZEN	080P
					PERNO	PERNO	PEN	STIFT	
5	2438347			1	PIN	PERNO	AXE	BOLZEN	080P
					PERNO	PERNO	PEN	STIFT	
6	2813704			4	BRACKET	STAFFA	PATTE FIXATION	KONSOLE	225S
					PIEZA DE SOPORTE	BRACADEIRA	STEUNBEUGEL	BESLAG	
8	2438831			2	RING	ANELLO	ANNEAU	RING	045A
					ANILLO	ANEL	RING	RING	
9	2438830			4	RING	ANELLO	ANNEAU	RING	045A
					ANILLO	ANEL	RING	RING	
10	2438829			6	RING	ANELLO	ANNEAU	RING	045A
					ANILLO	ANEL	RING	RING	
11	662909			12	ROT SHAFT LIP SEAL	TENUTA, ALBERO	JOINT A LÈVRES	WELLENDICHTUNG	Z102
					JUNTA DE LABIOS	VEDADOR EIXO	SEAL, SHAFT	FORSEGLINGSAKSEL	
12	NS			1	ILLUMINATION FRONT MOUNTING PARTS LEFT-HAND SEE FIGURE 32.201/2984501002	NON GESTITO	NON FOURNI	KEIN ERSATZTEIL	061N
					NO SE REPARA	NOT SERVICED	NIET GESTOCKEERD	NOT SERVICED	
13	NS			1	ILLUMINATION FRONT MOUNTING PARTS RIGHT-HAND SEE FIGURE 32.201/2984502002	NON GESTITO	NON FOURNI	KEIN ERSATZTEIL	061N
					NO SE REPARA	NOT SERVICED	NIET GESTOCKEERD	NOT SERVICED	
14	216547			1	HORN	AVVISATORE	AVERTISSEUR	WARNHORN	105A
					BOCINA	BUZINA	HOORN	HORN	
15	153957			AR	PROFILE, 0.77 METER	BORDINO	PROFILE, BOURRELET	PROFIL	106B
					PERFIL	PERFIL	PROFIEL	PROFIL	
16	1768189			4	SOCKET	PRESA	PRISE	FASSUNG	P483
					ENCAJE	SOQUETE	AANSLUITING	FATNING	
20	300383			3	BOLT, Hex, M10 x 16, 8.8, Full Thd	BULLONE	BOULON	SCHRAUBE	140B
					TORNILLO	PARAFUSO	BOUT	SKRUE	
21	56656			1	HEXAGON BOLT	BULLONE	BOULON	SCHRAUBE	140B
					TORNILLO	PARAFUSO	BOUT	SKRUE	
22	2168745			4	CYL.HEAD SCREW	VITE	VIS	SCHRAUBE	040V
					TORNILLO	PARAFUSO	SCHROEF	SKRUE	
23	57013			8	HEXAGON BOLT	BULLONE	BOULON	SCHRAUBE	140B
					TORNILLO	PARAFUSO	BOUT	SKRUE	
26	57126			8	HEXAGON NUT	DADO	ECROU	MUTTER	010D
					TUERCA	PORCA	MOER	MOETRIK	
27	57127			1	HEXAGON NUT	DADO	ECROU	MUTTER	010D
					TUERCA	PORCA	MOER	MOETRIK	
30	2975165			8	DISK/WASHER	ROSETTA PIANA	RONDELLE	UNTERLEGSCHIEBE	131R
					ARANDELA	ANILHA	SLUITRING	FLADSKIVE	
31	62543			4	DISK/WASHER	ROSETTA PIANA	RONDELLE	UNTERLEGSCHIEBE	131R
					ARANDELA	ANILHA	SLUITRING	FLADSKIVE	

P4160 0000

W50

FRONT FRAME WITH MOUNT. PARTS
TELAIO ANTERIORE SERIE MONTAGGIO
CHASSIS AVANT AV. PIECES MONT.
VORDERRAHMEN MIT ANBAUTEILEN

1



BUY NOW

**Then Instant Download
the Complete Manual
Thank you very much!**