
TABLE OF CONTENTS

00.100	2990924000	BASIC MACHINE W60 TC
01.100	2991416001	FRAME BASIC MACHINE WITH MOUNT. PARTS
01.400	2991417000	FRONT FRAME WITH MOUNT. PARTS
01.450	2991419001	JOINT PARTS FRAME
01.500	2991418000	REAR FRAME WITH MOUNT. PARTS
01.680	2991337000	WHEEL COVER INSTALL.MATERIAL
01.682	2988693000	WHEEL COVER
01.810	2991947000	STEPS INSTALL.MATERIAL
01.830	6559701000	WEDGE INSTALL.MATERIAL`
02.002	2990939000	AXLES ASSEMBLY SET STANDARD
02.002	2990940000	AXLES ASSEMBLY SET SELF-LOCKING
02.005	2990945000	AXLES COMPLETE
02.005	2990946000	AXLES COMPLETE SELF-LOCKING
02.020	2987285001	SWING AXLE INSTALL.MATERIAL STANDARD
02.020	2987286000	SWING AXLE INSTALL.MATERIAL STANDARD
02.020	2988231000	SWING AXLE INSTALL.MATERIAL SELF-LOCKING
02.020	2988232000	SWING AXLE INSTALL.MATERIAL SELF-LOCKING
02.021	2987287000	SWING AXLE MOUNTING PARTS STANDARD
02.021	2988233000	SWING AXLE MOUNTING PARTS SELF-LOCKING
02.022	2987283000	SWING AXLE STANDARD
02.022	2988211000	SWING AXLE SELF-LOCKING
02.023	2988730000	SWING AXLE HOUSING
02.060	2990948000	RIGID AXLE INSTALL.MATERIAL STANDARD
02.061	2988144001	RIGID AXLE MOUNTING PARTS STANDARD
02.062	2988145000	RIGID AXLE STANDARD
02.101	2987076002	RIGID AXLE MOUNTING PARTS FAST GEAR
02.101A	2987076002	RIGID AXLE MOUNTING PARTS FAST GEAR
02.102	2991327000	AXLES ASSEMBLY SET FAST GEAR
02.105	2991329000	AXLES FAST GEAR COMPLETE
02.110	2991331000	RIGID AXLE FAST GEAR
02.110A	2991331000	RIGID AXLE FAST GEAR
02.112	2988306000	FRONT AXLE FAST GEAR
02.113	2988307000	FRONT AXLE FAST GEAR HOUSING
02.118	2988310000	SERVICE BRAKE FAST GEAR FRONT
02.210	2987588000	REAR AXLE FAST GEAR SELF-LOCKING
02.211	2987590000	REAR AXLE FAST GEAR SELF-LOCKING
02.212	2987591000	REAR AXLE FAST GEAR SELF-LOCKING
02.213	2987592000	REAR AXLE FAST GEAR SELF-LOCKING
02.214	2988743000	REAR AXLE FAST GEAR HOUSING
02.220	2988311000	WHEEL HUB
02.220	2988312000	WHEEL HUB
02.220	2988733000	WHEEL HUB REAR
02.220	2988734000	WHEEL HUB PLANETARY GEAR
02.220	2988739000	WHEEL HUB REAR
02.220	2988740000	WHEEL HUB PLANETARY GEAR
05.090	2988004001	WHEELS INSTALL.MATERIAL 365/80R20
05.090	2988017001	WHEELS INSTALL.MATERIAL 375/75R20 X
05.090	2988018001	WHEELS INSTALL.MATERIAL 405/70R20 E
05.090	2988021001	WHEELS INSTALL.MATERIAL 14.5-20MPT
05.090	2988125001	WHEELS INSTALL.MATERIAL 405/70 R20
05.090	2990668000	WHEELS INSTALL.MATERIAL 405/70 R20E
05.090	2990688000	WHEELS INSTALL.MATERIAL 335/80 R20
05.090	2990729000	WHEELS INSTALL.MATERIAL 12.5-20 10P
05.100	2941655000	WHEELS 365/80R20 E
05.100	2988019000	WHEELS 375/75R20 X

TABLE OF CONTENTS

05.100	2988020000	WHEELS 405/70R20 E
05.100	2988022000	WHEELS 14.5-20MPT
05.100	2988138000	WHEELS 405/70 R20
05.100	2990669000	WHEELS 405/70 R20E
05.100	2990689000	WHEELS 335/80 R20
05.100	2990731000	WHEELS 12.5-20 10P
05.130	2991109000	TRACK EXTENSION 100MM
07.010	2987280000	PROP SHAFT INSTALL.MATERIAL STANDARD
07.010	2987589001	PROP SHAFT INSTALL.MATERIAL FAST GEAR
10.100	2987410001	HYD. OIL TANK INSTALL.MATERIAL
10.102	2988029000	HYD. OIL TANK
10.102	2988030000	HYD. OIL TANK
12.010	2990734000	BALLAST INSTALL.MATERIAL
12.040	2987594000	REAR WEIGHT INSTALL.MATERIAL
13.011	2991460000	MOTOR MOUNTING PARTS
13.110	2486328001	REGULATION MOTOR SPEED (OPTION)
13.220	2987270000	EXHAUST SYSTEM INSTALL.MATERIAL
13.222	2987654000	EXHAUST SYSTEM
13.230	2987623000	INTAKE SYSTEM INSTALL.MATERIAL
13.300	2991853001	FUEL SYSTEM
15.120	2987067000	COOLING SYSTEM ENGINE OIL INSTALL.MATERIAL
15.121	2987087002	COMB. COOL. SYST. WATER/OIL MOUNTING PARTS
15.122	2988638000	RADIATOR ENGINE OIL
15.123	2988638000	PREFILTER FOR COOLER (OPTION)
16.082	2988736001	TRANSFER GEARBOX
16.082	2988744001	TRANSFER GEARBOX FAST GEAR
16.082	2988745001	TRANSFER GEARBOX FAST GEAR
16.600	2988308000	DIFFERENTIAL
16.600	2988309000	DIFFERENTIAL
16.600	2988731000	DIFFERENTIAL
16.610	2988741000	DIFFERENTIAL SELF-LOCKING REAR
17.102	2987085000	COUPLING/CLUTCH
19.202	2988313000	SERVICE BRAKE FRONT AXLE
20.005	2991328000	HYDRAULIC SYSTEM AXLES
20.010	2991412001	HYDRAULIC SYSTEM BASIC MACHINE
20.060	2992607000	HYDRAULIC SYSTEM FRONT CARRIAGE
20.100	2988106001	HYDRAULIC SYSTEM DRIVING
20.100	2988109001	HYDRAULIC SYSTEM DRIVING FAST GEAR
20.500	2991414001	HYDRAULIC SYSTEM WORK
20.521	2992619000	HYDRAULIC SYSTEM RIDECONTROL
20.530	2991282000	HYDRAULIC SYSTEM STEERING MONOBOOM
20.530A	2991282000	HYDRAULIC SYSTEM STEERING MONOBOOM
20.535	2991197000	HYDRAULIC SYSTEM EMERGENCY-STEERIN
20.540	2987634003	HYDRAULIC SYSTEM BRAKE
20.540	2988115001	HYDRAULIC SYSTEM BRAKE FAST GEAR
20.540	2991367001	HYDRAULIC SYSTEM BRAKE
20.540	2991413000	HYDRAULIC SYSTEM BRAKE
20.540A	2991413000	HYDRAULIC SYSTEM BRAKE
20.570	2991936000	HYDRAULIC SYSTEM ADDITIONAL FUNCT.
20.570A	2991936000	HYDRAULIC SYSTEM ADDITIONAL FUNCT.
20.576	4554637000	HYDRAULIC SYSTEM ADDITIONAL FUNCT. LOADER BOOM
20.576	4554647000	HYDRAULIC SYSTEM ADDITIONAL FUNCT. LOADER BOOM
20.576	4554906000	HYDRAULIC SYSTEM ADDITIONAL FUNCT. LOADER BOOM
20.576A	4554647000	HYDRAULIC SYSTEM ADDITIONAL FUNCT. LOADER BOOM
22.050	2987625000	GEAR PUMP INSTALL.MATERIAL

TABLE OF CONTENTS

22.050	2991462000	GEAR PUMP INSTALL.MATERIAL
22.050A	2991462000	GEAR PUMP INSTALL.MATERIAL
22.052	2812203000	COUPLING/CLUTCH
22.052	2989723000	GEAR PUMP
22.052	2989724000	GEAR PUMP
22.060	2987627000	AXIAL PISTON PUMP INSTALL.MATERIAL
22.062	2987731000	AXIAL PISTON PUMP
22.064	2988404000	DRIVE DEVICE PUMP
22.066	2812201000	REGULATION PUMP
22.120	2987289000	AXIAL PISTON MOTOR INSTALL.MATERIAL
22.120	2987593000	AXIAL PISTON MOTOR INSTALL.MATERIAL
22.124	2902030000	DRIVE DEVICE HYDRAULIC MOTOR
22.126	2988372000	REGULATION HYDRAULIC MOTOR CONTROL UNIT
22.126	2988373000	REGULATION HYDRAULIC MOTOR CONTROL UNIT
22.126	2988506000	REGULATION HYDRAULIC MOTOR
22.130	2989695000	GEAR MOTOR FAN
22.220	2939514002	HYDRAULIC FILTER
22.300	2989883000	PRESS.ACCUMULATOR EMERGENCY-STEERIN
22.420	2988487000	VALVE BLOCK INSTALL.MATERIAL
22.422	2988488000	VALVE BLOCK
22.430	2812202000	DISTRIBUTOR PLATE PUMP INSTALL.MATERIAL
23.010	2988380000	HYDRAULIC SYSTEM VALVES SOLENOID VALVE
23.032	2811644001	PRESS.REL.VALVE
23.032	2903785000	PRESS.REL.VALVE
23.032	2989727000	PRESS.REL.VALVE
23.060	2812166000	FEED. PRESS. VALVE
23.091	2988215001	STEERING VALVE MOUNTING PARTS
23.092	2716715000	STEERING VALVE
23.110	2811655000	VALVE MAX. LOAD CONTROL
23.192	2811653000	SWITCH-OVER VALVE
23.211	2988119001	SHIFT VALVE MOUNTING PARTS
23.212	2989878000	SHIFT VALVE
23.265	2944932001	PRESSUR.SWITCH
23.265	2988460000	PRESSUR.SWITCH OPERATORS CAB
23.611	2772917000	CONTROL BLOCK MOUNTING PARTS
24.072	2991443000	LIFT CYLINDER
24.082	2991444000	TIP CYLINDER
24.122	6559330000	STEERING CYLINDER
24.320	4532290000	CYLINDER QUICK-HITCH
26.082	2988234001	BRAKE VALVE
27.010	2989858003	HEATING INSTALL.MATERIAL
27.010	2990949001	HEATING INSTALLATION HP (OPTION)
27.011	2988891001	HEATING MOUNTING PARTS
27.011	2988892001	HEATING MOUNTING PARTS HP (OPTION)
27.400	2988655001	AIR CONDITION INSTALL.MATERIAL
27.400	2991308001	AIR CONDITION INSTALL.MATERIAL (OPTION)
27.401	2988893001	AIR CONDITION MOUNTING PARTS
27.420	2988477000	LIQUEFIER INSTALL.MATERIAL
27.450	2988483001	COMPRESSOR INSTALL.MATERIAL AIR CONDITION
32.010	2992609000	ELECTRICAL SYSTEM BASIC MACHINE COMPLETE
32.130	2991956001	ELECTRICAL SYSTEM FRONT CARRIAGE
32.133	2991958000	CABLE HARNESS FRONT CARRIAGE
32.140	2987290000	ELECTRICAL SYSTEM REAR CARRIAGE
32.142	2987292000	CABLE HARNESS INSTALL.MATERIAL REAR CARRIAGE
32.143	2987293000	CABLE HARNESS REAR CARRIAGE

TABLE OF CONTENTS

32.143	2987733000	CABLE HARNESS REAR CARRIAGE FAST GEAR
32.152	2990013000	CENTRAL ELECTRONIC RELAY CIRCUIT BOA
32.170	2987294000	BATTERY INSTALL.MATERIAL
32.175	2990441000	MAIN SWITCH BATTERY INSTALL.MATERIAL
32.176	2941508000	MAIN SWITCH BATTERY
32.201	2984501002	ILLUMINATION FRONT MOUNTING PARTS LEFT-HAND
32.201	2984502002	ILLUMINATION FRONT MOUNTING PARTS RIGHT-HAND
32.210	2987295001	ILLUMINATION REAR INSTALL.MATERIAL
32.220	2988203000	TAILLIGHT BRAKE LIGHT
32.225	2988204000	REVERSING LIGHT TURN SIGNAL LIGHT
32.242	2990491000	LIC. PLATE LIGHT
32.243	2990492000	CABLE HARNESS LIC. PLATE LIGHT
32.273	2990471001	AIR CONDITION CABLE HARNESS (OPTION)
32.405	2988466000	DASHBOARD
32.405	2988469000	DASHBOARD FAST GEAR
32.405	2990002000	DASHBOARD
32.452	2990076000	GEARSHIFT LEVER
32.500	2988468000	ELECTRICAL SYSTEM OPERATORS CAB FAST GEAR
32.500	2989844002	ELECTRICAL SYSTEM OPERATORS CAB
32.500	2991957000	ELECTRICAL SYSTEM OPERATORS CAB
32.510	2991959000	CABLE HARNESS OPERATORS CAB
32.512	2991960000	OPERATORS CAB CABLE HARNESS BASE
32.514	2989999001	OPERATORS CAB CABLE HARNESS ROOF
32.520	2988792002	HEADLIGHT OPERATORS CAB INSTALL.MATERIAL REAR
32.522	2990556000	HEADLIGHT
32.590	2989824000	RADIO INSTALL.MATERIAL LOUDSPEAKER
32.592	2783610002	RADIO
32.592	2988775000	RADIO
32.740	2990727000	HEADLIGHT INSTALL.MATERIAL
32.750	2992620000	ELECTRICAL SYSTEM RIDECONTROL
32.753	2992621000	CABLE HARNESS RIDECONTROL
32.850	2988774001	BEACON LIGHT INSTALL.MATERIAL
32.852	2940767000	BEACON LIGHT
32.870	2988778000	SIGNAL INSTALL.MATERIAL SHIFTABLE
32.870	2989807000	SIGNAL INSTALL.MATERIAL PERMANENT
32.871	2988779000	SIGNAL CONTROL PANEL BACKUP SIGNAL
32.880	2990725000	ANTI-THEFT DECICE INSTALL.MATERIAL
32.882	2991164000	ANTI-THEFT DECICE ELECTRICAL SYSTEM
32.884	2991165000	ANTI-THEFT DECICE CABLE HARNESS
34.002	2991404000	OPERATORS CAB ASSEMBLY SET HEIZUNG HP
34.002	2991405000	OPERATORS CAB ASSEMBLY SET AIR CONDITION
34.002	2991406000	OPERATORS CAB ASSEMBLY SET HEIZUNG
34.005	2991386001	CAB MODULE
34.005	2991387001	CAB MODULE AIR CONDITION
34.005	2991388001	CAB MODULE
34.010	2987272000	CAB MODULE INSTALL.MATERIAL
34.012	2991648001	CAB MODULE AIR CONDITION
34.012	2991649000	CAB MODULE
34.021	2989697003	OPERATORS CAB MOUNTING PARTS
34.021	2989698004	OPERATORS CAB MOUNTING PARTS
34.130	2989696002	CONTROL COLUMN INSTALL.MATERIAL
34.220	2989830003	CAB DOOR
34.230	2989699001	GLAZING OPERATORS CAB
34.236	2990728000	SKYLIGHT WINDOW (OPTION) (S/N 534501-UP)
34.500	2988720000	OPERATORS SEAT INSTALL.MATERIAL MECHAN.SUSPENSION

TABLE OF CONTENTS

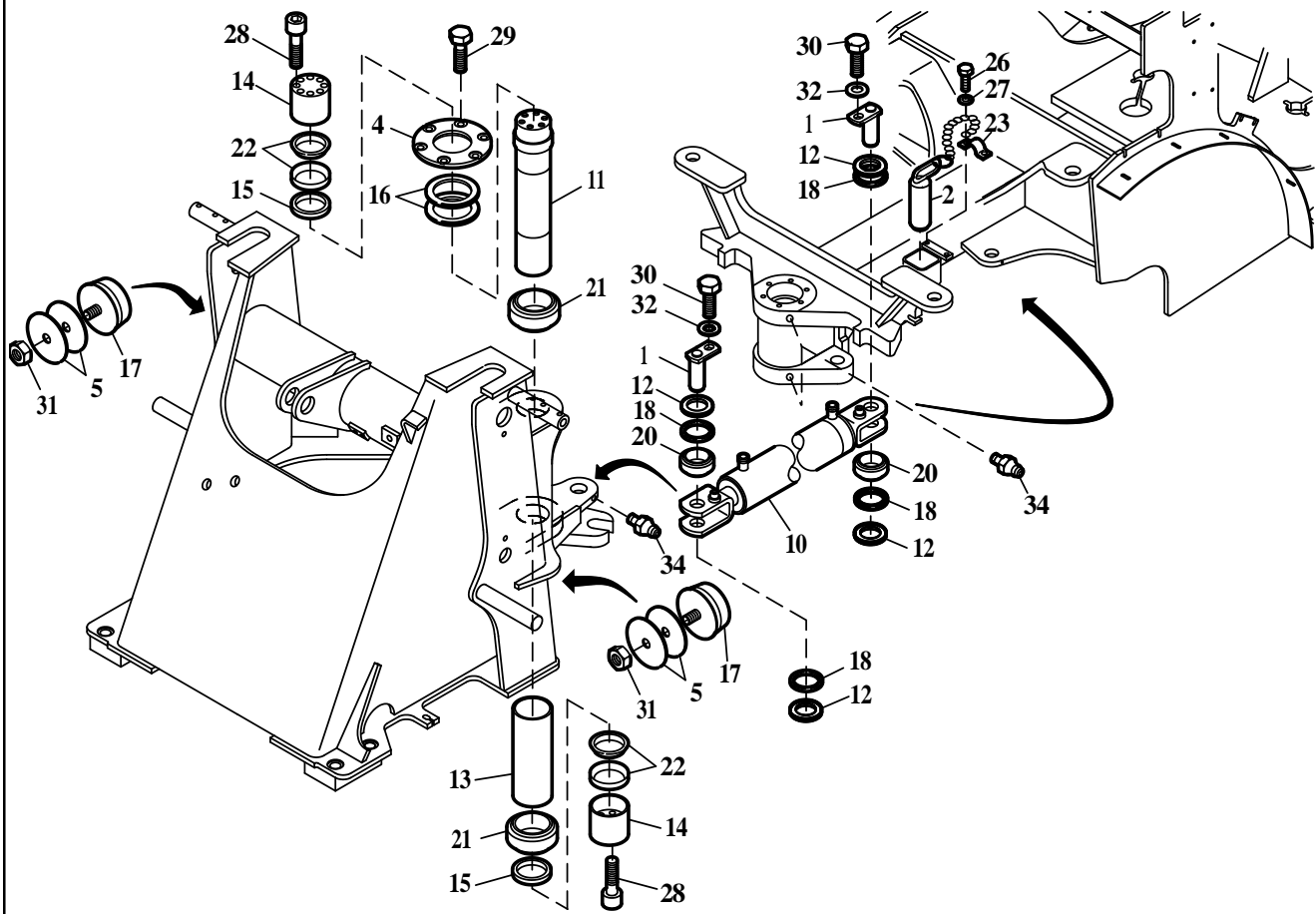
34.502	2988721000	OPERATORS SEAT MECHAN.SUSPENSION
34.506	2940677000	OPERATORS SEAT TOP MECHAN.SUSPENSION
34.507	2940683000	OPERATORS SEAT BOTTOM SECTION MECHAN.SUSPENSION
34.532	01	SAFETY BELT (OPTION)
35.070	2988122001	LICENCE PL.BRACKET INSTALL.MATERIAL REAR
35.070	2988124000	LICENCE PL.BRACKET INSTALL.MATERIAL FRONT
36.020	2988686000	ENGINE HOOD INSTALL.MATERIAL
36.022	2988687000	ENGINE HOOD
36.560	2988603000	COVER "V"-BELT`
42.020	4554907000	EQUIPMENT ITALY
42.050	2902717000	PROTECTOR
60.600	4554792000	MAST MONOBOOM INSTALL.MATERIAL
60.601	4554759000	MONOBOOM ASSEMBLY PARTS
60.601	4554797000	MONOBOOM ASSEMBLY PARTS
60.602	4554823000	MONOBOOM
64.010	2991887000	CLAMSHELL INSTALL.MATERIAL
64.500	2991829000	BLADE INSTALL.MATERIAL 2050MM
70.300	2812457000	FORK CARRIAGE PROTECTOR
70.300	2991917000	FORK CARRIAGE SOLID
70.320	2487405001	FORKS 100X45X1200
70.325	2991884001	HINGED FORK
70.325	2991885000	HINGED FORK
70.325A	2991884001	HINGED FORK
71.500	4554789000	QUICK-HITCH INSTALL.MATERIAL
76.200	2991933000	PIPE-BREAK PROTEC. INSTALL.MATERIAL
76.200A	2991933000	PIPE-BREAK PROTEC. INSTALL.MATERIAL
91.000	4554096000	PLATES COMPLETE
92.010	2987278000	TOOL SET
92.040	2991675000	TOOLBOX INSTALL.MATERIAL
92.042	2991676000	TOOLBOX
95.000	2987626000	MOTOR
95.001	2984858001	DIPSTICK
95.002	2746518001	OIL SUMP
95.005	2139021004	POWER TAKE-OFF
95.005	2984871001	FLYWHEEL
95.008	2432612001	FILLER CAP
95.008	2984883001	CYL.HEAD COVER
95.015	2432618001	LUBE OIL FILTER
95.015	2984889002	FILTER BRACKET
95.016	2432620001	HEATING
95.016	2984886001	WATER SUPPLY
95.019	2987819001	INJECTION VALVE
95.020	2432627001	BRACKET
95.020	2984890001	FILTER CARTRIDGE
95.020	2987818001	FUEL PUMP
95.021	2432632001	FUEL LINE
95.021	2987808001	FUEL LINE
95.021	2987817001	INJECTION PIPE
95.021	2987821001	FUEL LINE
95.021	2987822001	FUEL LINE
95.027	2987814010	CAP/CONTROLLER
95.041	2139820004	FLANGE
95.041	2984878001	EXHAUST COLLECTOR
95.044	2984849001	GENERATOR
95.044	2984875001	STARTER MOTOR

TABLE OF CONTENTS

95.044	2984877001	AIR SHIELD
95.044	2984894001	FASTENING PARTS
95.044	2987838001	NARROW V-BELT
95.046	2192711001	ENGINE MOUNTING
95.046	2193648001	ENGINE MOUNTING
95.048	2984854001	BRACKET
95.048	2984876001	CONTROL UNIT
95.048	2987918001	CABLE HARNESS
95.051	2432648001	OIL PRESS.SWITCH
95.051	2432649001	TEMP.TRANSMITTER
95.056	2984864001	ENGINE SHUT-DOWN
95.063	2984881001	CABLE HARNESS
95.063	2984882001	HEATER PLUG

JOINT PARTS FRAME
PARTI ARTICOLATE TELAIO
ARTICULATIONS CADRE
GELENKTEILE RAHMEN

1



PIEZAS DE ARTICUL. BASTIDOR

RAMME

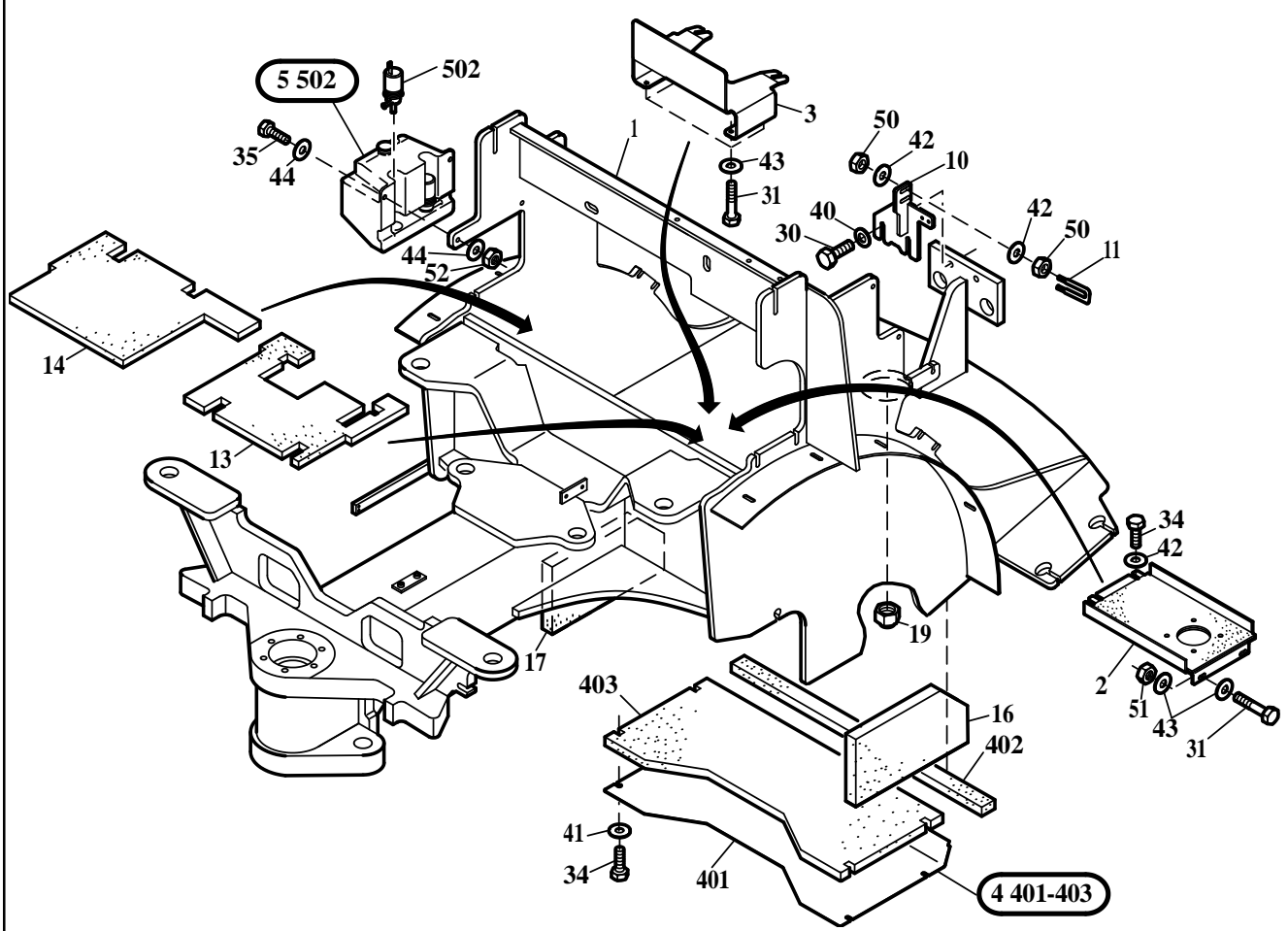
R	N	P.N.	MOD	Q	Description Denominacion	Descrizione Denominação	Description Beschrijving	Bezeichnung Beskrivelse	L.C.
1		512166		2	PIN PERNO	PERNO PERNO	AXE PEN	BOLZEN STIFT	080P
2		4550217		1	PIN PERNO	PERNO PERNO	AXE PEN	BOLZEN STIFT	080P
4		1940605		1	LID TAPADERA	COPERCHIO COBERTA	COUVERCLE DEKSEL	ABDECKUNG DÆKSEL	265C
10		NS		1	STEERING CYLINDER SEE FIGURE 24.122/2991436	NON GESTITO	NON FOURNI	KEIN ERSATZTEIL	061N
					NO SE REPARA	NOT SERVICED	NIET GESTOCKEERD	NOT SERVICED	
11		2438390		1	PIN PERNO	PERNO PERNO	AXE PEN	BOLZEN STIFT	080P
12		4552174		4	DISK/WASHER ARANDELA	ROSETTA PIANA ANILHA	RONDELLE SLUITRING	UNTERLEGSCHIEBE FLADSKIVE	131R
13		2438401		1	SLEEVE BUJE	BUSSOLA CANHAO	DOUILLE LAGERBUS	BUCHSE BØSNING	145B
14		1940521		2	LID TAPADERA	COPERCHIO COBERTA	COUVERCLE DEKSEL	ABDECKUNG DÆKSEL	265C
15		2438404		1	RING ANILLO	ANELLO ANEL	ANNEAU RING	RING RING	045A
16		1940569		2	DISK/WASHER ARANDELA	ROSETTA PIANA ANILHA	RONDELLE SLUITRING	UNTERLEGSCHIEBE FLADSKIVE	131R
18		750585		4	GASKET JUNTA HERMETICA	GUARNIZIONE JUNTA	JOINT DICHTINGSSTUK	DICHTUNG, FLACH PAKNING	123G
20		2929701		2	JOINT BEARING COJINETE	CUSCINETTO ROLAMENTO	ROULEMENT LAGER	LAGER, KOMPLETT LEJE	341C
21		2976193		2	JOINT BEARING COJINETE	CUSCINETTO ROLAMENTO	ROULEMENT LAGER	LAGER, KOMPLETT LEJE	341C
22		2976897		4	CLAMPING PIECE BORNE	MORSETTO BORNE	BRIDE KLEM	KLEMME SPÆNDEBÅND	120M
23		2900981		1	CABLE RETAINER RETENADOR DE CABLE	FERMO, CAVO CABO RETENTOR	RETENEUR DE CABLE RETAINER, CABLE	KABELHALTER KABELHOLDER	P738
26		2975136		2	HEXAGON BOLT TORNILLO	BULLONE PARAFUSO	BOULON BOUT	SCHRAUBE SKRUE	140B
27		56982		2	DISK/WASHER ARANDELA	ROSETTA PIANA ANILHA	RONDELLE SLUITRING	UNTERLEGSCHIEBE FLADSKIVE	131R
28		264227		12	CYL.HEAD SCREW TORNILLO	VITE PARAFUSO	VIS SCHROEF	SCHRAUBE SKRUE	040V
29		56668		6	HEXAGON BOLT TORNILLO	BULLONE PARAFUSO	BOULON BOUT	SCHRAUBE SKRUE	140B
30		300383		2	BOLT, Hex, M10 x 16, 8.8, Full Thd	BULLONE	BOULON	SCHRAUBE	140B
					TORNILLO	PARAFUSO	BOUT	SKRUE	
32		530811		2	DISK/WASHER ARANDELA	ROSETTA PIANA ANILHA	RONDELLE SLUITRING	UNTERLEGSCHIEBE FLADSKIVE	131R
34		8412011		3	GREASE NIPPLE ENGRASADOR	INGRASSATORE LUBRIFICADOR	GRAISSEUR SMEERNIPPEL	SCHMIERNIPPEL SMOERENIPPEL	060I
990		{4554070}		AR	ARTICULATED JOINT				

12182 0101

W60TC

REAR FRAME WITH MOUNT. PARTS
TELAIO POSTERIORE SERIE MONTAGGIO
CHASSIS ARRIERE AV. PIECES MONT.
HINTERRAHMEN MIT ANBAUTEILEN

1



BASTIDOR TRASERO C. PIEZAS DE MONT

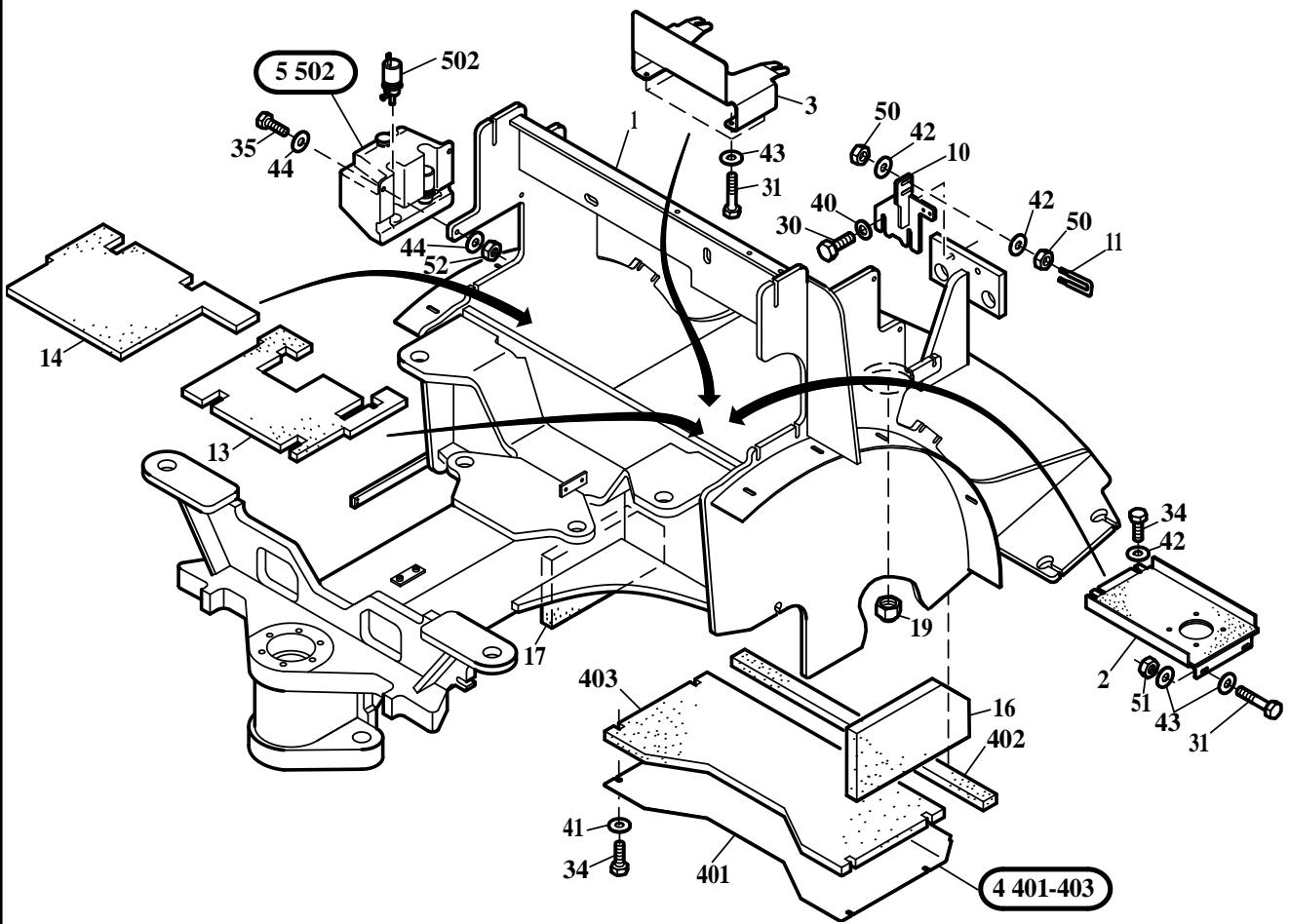
R	N	P.N.	MOD	Q	Description Denominacion	Descricao Denominaçao	Description Beschrijving	Bezeichnung Beskrivelse	L.C.
2		2813782		1	SUPPORT SOPORTE	SUPPORTO SUPORTE	SUPPORT STEUN	HALTERUNG, LAGERBO BESLAG	300S
3		4571383		1	MOUNTING SOPORTE	SUPPORTO SUPORTE	SUPPORT STEUN	HALTERUNG, LAGERBO BESLAG	300S
4		4552250		1	COVER PLATE TAPADERA	COPERCHIO COBERTA	COUVERCLE DEKSEL	ABDECKUNG DÆKSEL	265C
5		4552751		1	WATER RESERVOIR DEPÓSITO	SERBATOIO DEPÓSITO	RÉSERVOIR RESERVOIR	VORRATSBEHÄLTER RESERVOIR	7050
10		6559491		1	BRACKET SOPORTE	SOSTEGNO SUPORTE	SUPPORT HOUDER	HALTER HOLDER	174S
11		6559493		1	STRAP CORREA DE FIJACION	CINGHIA DI FISSAGGIO CORREIA DE FIXACAO	SANGLE DE FIXATION BORGRIEM	SICHERUNGSBAND FASTSPAENDINGSSTRIC	172C
13		2813946		1	MAT ALFOMBRA	TAPPETINO TAPETE	TAPIS MAT	MATTE MÄTTE	030T
14		2813947		1	MAT ALFOMBRA	TAPPETINO TAPETE	TAPIS MAT	MATTE MÄTTE	030T
16		4550583		1	MAT PLACA AISLANTE	PIASTRINA ISOLANTE CHAPA ISOLANTE	PLAQUETTE ISOLANTE INSOLATIEPLAAT	DÄMMPLATTE ISOLERINGSPLADE	112P
17		4550584		1	MAT PLACA AISLANTE	PIASTRINA ISOLANTE CHAPA ISOLANTE	PLAQUETTE ISOLANTE INSOLATIEPLAAT	DÄMMPLATTE ISOLERINGSPLADE	112P
19		900615		1	PLUG TAPÓN	TAPPO BUJAO	BOUCHON PLUG	STOPFEN PROP	050T
30		2975077		2	HEXAGON BOLT TORNILLO	VITE PARAFUSO	VIS SCHROEF	SCHRAUBE SKRUE	040V
31		2975214		6	HEXAGON BOLT TORNILLO	BULLONE PARAFUSO	BOULON BOUT	SCHRAUBE SKRUE	140B
34		57013		6	HEXAGON BOLT TORNILLO	BULLONE PARAFUSO	BOULON BOUT	SCHRAUBE SKRUE	140B
35		2975143		2	HEXAGON BOLT TORNILLO	BULLONE PARAFUSO	BOULON BOUT	SCHRAUBE SKRUE	140B
40		2975160		2	DISK/WASHER ARANDELA DE FRENO	ROSETTA DI SICUREZZA/ ANILHA DE FIXACAO	RONDELLE FREIN VEERRING	SICHERUNGSSCHEIBE LAASESKIVE	132R
41		2975165		4	DISK/WASHER ARANDELA	ROSETTA PIANA ANILHA	RONDELLE SLUITRING	UNTERLEGSCHIEBE FLADSKIVE	131R
42		62543		6	DISK/WASHER ARANDELA	ROSETTA PIANA ANILHA	RONDELLE SLUITRING	UNTERLEGSCHIEBE FLADSKIVE	131R
43		2977362		8	DISK/WASHER ARANDELA	ROSETTA PIANA ANILHA	RONDELLE SLUITRING	UNTERLEGSCHIEBE FLADSKIVE	131R
44		63707		4	DISK/WASHER ARANDELA DE FRENO	ROSETTA DI SICUREZZA/ ANILHA DE FIXACAO	RONDELLE FREIN VEERRING	SICHERUNGSSCHIEBE LAASESKIVE	132R
50		57126		4	HEXAGON NUT TUERCA	DADO PORCA	ECROU MOER	MUTTER MOETRIK	010D
51		68841		2	HEXAGON NUT TUERCA	DADO PORCA	ECROU MOER	MUTTER MOETRIK	010D
52		353308		2	Nut, Lock, M6 x 1, Cl 8 TUERCA	DADO PORCA	ECROU MOER	MUTTER MOETRIK	010D
402		4550423		1	MAT TAPETE DE SUELO	TAPPETINO TAPETE DE SUELO	TAPIS DE PLANCHER MAT, FLOOR	BODENMATTE GULVMÄTTE	Z068

2992646

W60TC

REAR FRAME WITH MOUNT. PARTS
TELAIO POSTERIORE SERIE MONTAGGIO
CHASSIS ARRIERE AV. PIECES MONT.
HINTERRAHMEN MIT ANBAUTEILEN

1



BUY NOW

**Then Instant Download
the Complete Manual
Thank you very much!**