
TABLE OF CONTENTS

| | | |
|---------|------------|--|
| 00.100 | 2990925000 | BASIC MACHINE W70 TC |
| 01.100 | 2991457001 | FRAME BASIC MACHINE WITH MOUNT. PARTS |
| 01.400 | 2991428000 | FRONT FRAME WITH MOUNT. PARTS |
| 01.450 | 2991435000 | JOINT PARTS FRAME |
| 01.500 | 2988642002 | REAR FRAME WITH MOUNT. PARTS |
| 01.500 | 2991420000 | REAR FRAME WITH MOUNT. PARTS |
| 01.680 | 2991337000 | WHEEL COVER INSTALL.MATERIAL |
| 01.682 | 2988693000 | WHEEL COVER |
| 01.810 | 2991945001 | STEPS INSTALL.MATERIAL |
| 01.810 | 2991947000 | STEPS INSTALL.MATERIAL |
| 01.830 | 6559701000 | WEDGE INSTALL.MATERIAL` |
| 02.002 | 2991474000 | AXLES ASSEMBLY SET STANDARD |
| 02.002 | 2991475000 | AXLES ASSEMBLY SET SELF-LOCKING |
| 02.005 | 2991470000 | AXLES COMPLETE STANDARD |
| 02.005 | 2991471000 | AXLES COMPLETE SELF-LOCKING |
| 02.020 | 2987279001 | SWING AXLE INSTALL.MATERIAL STANDARD |
| 02.020 | 2987281000 | SWING AXLE INSTALL.MATERIAL STANDARD |
| 02.021 | 2988210000 | SWING AXLE MOUNTING PARTS SELF-LOCKING |
| 02.022 | 2987283000 | SWING AXLE STANDARD |
| 02.022 | 2988211000 | SWING AXLE SELF-LOCKING |
| 02.023 | 2988730000 | SWING AXLE HOUSING |
| 02.060 | 2990948000 | RIGID AXLE INSTALL.MATERIAL STANDARD |
| 02.061 | 2988144001 | RIGID AXLE MOUNTING PARTS STANDARD |
| 02.062 | 2988145000 | RIGID AXLE STANDARD |
| 02.101A | 2987076002 | RIGID AXLE MOUNTING PARTS FAST GEAR |
| 02.102 | 2991350000 | AXLES ASSEMBLY SET FAST GEAR |
| 02.110 | 2991331000 | RIGID AXLE FAST GEAR |
| 02.110A | 2991331000 | RIGID AXLE FAST GEAR |
| 02.220 | 2988739000 | WHEEL HUB REAR |
| 02.220 | 2988740000 | WHEEL HUB PLANETARY GEAR |
| 05.090 | 2988004001 | WHEELS INSTALL.MATERIAL 365/80R20 |
| 05.090 | 2988017001 | WHEELS INSTALL.MATERIAL 375/75R20 X |
| 05.090 | 2988018001 | WHEELS INSTALL.MATERIAL 405/70R20 E |
| 05.090 | 2988021001 | WHEELS INSTALL.MATERIAL 14.5-20MPT |
| 05.090 | 2988125001 | WHEELS INSTALL.MATERIAL 405/70 R20 |
| 05.090 | 2990668000 | WHEELS INSTALL.MATERIAL 405/70 R20E |
| 05.090 | 2990688000 | WHEELS INSTALL.MATERIAL 335/80 R20 |
| 05.100 | 2941655000 | WHEELS 365/80R20 E |
| 05.100 | 2988019000 | WHEELS 375/75R20 X |
| 05.100 | 2988020000 | WHEELS 405/70R20 E |
| 05.100 | 2988022000 | WHEELS 14.5-20MPT |
| 05.100 | 2988138000 | WHEELS 405/70 R20 |
| 05.100 | 2990669000 | WHEELS 405/70 R20E |
| 05.100 | 2990689000 | WHEELS 335/80 R20 |
| 05.130 | 2991109000 | TRACK EXTENSION 100MM |
| 07.010 | 2987075001 | PROP SHAFT INSTALL.MATERIAL STANDARD |
| 10.100 | 2987410001 | HYD. OIL TANK INSTALL.MATERIAL |
| 10.102 | 2988029000 | HYD. OIL TANK |
| 10.102 | 2988030000 | HYD. OIL TANK |
| 12.010 | 2990698000 | BALLAST INSTALL.MATERIAL |
| 12.040 | 2987594000 | REAR WEIGHT INSTALL.MATERIAL |
| 13.011 | 2991458000 | MOTOR MOUNTING PARTS |
| 13.110 | 2486328001 | REGULATION MOTOR SPEED (OPTION) |
| 13.220 | 2987270000 | EXHAUST SYSTEM INSTALL.MATERIAL |
| 13.222 | 2987654000 | EXHAUST SYSTEM |

TABLE OF CONTENTS

| | | |
|---------|------------|--|
| 13.230 | 2987623000 | INTAKE SYSTEM INSTALL.MATERIAL |
| 13.300 | 2991854000 | FUEL SYSTEM |
| 15.120 | 2987067000 | COOLING SYSTEM ENGINE OIL INSTALL.MATERIAL |
| 15.121 | 2987087002 | COMB. COOL. SYST. WATER/OIL MOUNTING PARTS |
| 15.122 | 2988638000 | RADIATOR ENGINE OIL |
| 15.123 | 2988638000 | PREFILTER FOR COOLER (OPTION) |
| 16.082 | 2988736001 | TRANSFER GEARBOX |
| 16.600 | 2988731000 | DIFFERENTIAL |
| 16.610 | 2988741000 | DIFFERENTIAL SELF-LOCKING REAR |
| 17.102 | 2987085000 | COUPLING/CLUTCH |
| 20.005 | 2991328000 | HYDRAULIC SYSTEM AXLES |
| 20.010 | 2991466001 | HYDRAULIC SYSTEM BASIC MACHINE |
| 20.060 | 2992606000 | HYDRAULIC SYSTEM FRONT CARRIAGE |
| 20.100 | 2988106001 | HYDRAULIC SYSTEM DRIVING |
| 20.100 | 2988109001 | HYDRAULIC SYSTEM DRIVING FAST GEAR |
| 20.500 | 2991414001 | HYDRAULIC SYSTEM WORK |
| 20.521 | 2992618000 | HYDRAULIC SYSTEM RIDECONTROL |
| 20.530 | 2991282000 | HYDRAULIC SYSTEM STEERING MONOBOOM |
| 20.530A | 2991282000 | HYDRAULIC SYSTEM STEERING MONOBOOM |
| 20.535 | 2991197000 | HYDRAULIC SYSTEM EMERGENCY-STEERIN |
| 20.540 | 2987634003 | HYDRAULIC SYSTEM BRAKE |
| 20.540 | 2988115001 | HYDRAULIC SYSTEM BRAKE FAST GEAR |
| 20.540 | 2991367001 | HYDRAULIC SYSTEM BRAKE |
| 20.540 | 2991413000 | HYDRAULIC SYSTEM BRAKE |
| 20.540A | 2991413000 | HYDRAULIC SYSTEM BRAKE |
| 20.570 | 2991935000 | HYDRAULIC SYSTEM ADDITIONAL FUNCT. |
| 20.570A | 2991935000 | HYDRAULIC SYSTEM ADDITIONAL FUNCT. |
| 20.576 | 4554637000 | HYDRAULIC SYSTEM ADDITIONAL FUNCT. LOADER BOOM |
| 20.576 | 4554647000 | HYDRAULIC SYSTEM ADDITIONAL FUNCT. LOADER BOOM |
| 20.576 | 4554906000 | HYDRAULIC SYSTEM ADDITIONAL FUNCT. LOADER BOOM |
| 20.576A | 4554647000 | HYDRAULIC SYSTEM ADDITIONAL FUNCT. LOADER BOOM |
| 22.050 | 2987625000 | GEAR PUMP INSTALL.MATERIAL |
| 22.050 | 2991462000 | GEAR PUMP INSTALL.MATERIAL |
| 22.050A | 2991462000 | GEAR PUMP INSTALL.MATERIAL |
| 22.052 | 2812203000 | COUPLING/CLUTCH |
| 22.052 | 2989723000 | GEAR PUMP |
| 22.052 | 2989724000 | GEAR PUMP |
| 22.060 | 2987629000 | AXIAL PISTON PUMP INSTALL.MATERIAL |
| 22.062 | 2987730000 | AXIAL PISTON PUMP |
| 22.064 | 2988404000 | DRIVE DEVICE PUMP |
| 22.066 | 2812201000 | REGULATION PUMP |
| 22.120 | 2988212000 | AXIAL PISTON MOTOR INSTALL.MATERIAL |
| 22.124 | 2902030000 | DRIVE DEVICE HYDRAULIC MOTOR |
| 22.126 | 2988372000 | REGULATION HYDRAULIC MOTOR CONTROL UNIT |
| 22.126 | 2988373000 | REGULATION HYDRAULIC MOTOR CONTROL UNIT |
| 22.130 | 2989695000 | GEAR MOTOR FAN |
| 22.220 | 2939514002 | HYDRAULIC FILTER |
| 22.300 | 2989883000 | PRESS.ACCUMULATOR EMERGENCY-STEERIN |
| 22.420 | 2988487000 | VALVE BLOCK INSTALL.MATERIAL |
| 22.422 | 2988488000 | VALVE BLOCK |
| 22.430 | 2812202000 | DISTRIBUTOR PLATE PUMP INSTALL.MATERIAL |
| 23.010 | 2988380000 | HYDRAULIC SYSTEM VALVES SOLENOID VALVE |
| 23.032 | 2811644001 | PRESS.REL.VALVE |
| 23.032 | 2903785000 | PRESS.REL.VALVE |
| 23.032 | 2989727000 | PRESS.REL.VALVE |

TABLE OF CONTENTS

| | | |
|---------|------------|---|
| 23.060 | 2812166000 | FEED. PRESS. VALVE |
| 23.091 | 2988215001 | STEERING VALVE MOUNTING PARTS |
| 23.092 | 2716715000 | STEERING VALVE |
| 23.110 | 2811655000 | VALVE MAX. LOAD CONTROL |
| 23.192 | 2811653000 | SWITCH-OVER VALVE |
| 23.211 | 2988119001 | SHIFT VALVE MOUNTING PARTS |
| 23.212 | 2989878000 | SHIFT VALVE |
| 23.265 | 2944932001 | PRESSUR.SWITCH |
| 23.265 | 2988460000 | PRESSUR.SWITCH OPERATORS CAB |
| 23.611 | 2772917000 | CONTROL BLOCK MOUNTING PARTS |
| 24.072 | 2991445000 | LIFT CYLINDER |
| 24.082 | 2991446000 | TIP CYLINDER |
| 24.122 | 4532257000 | STEERING CYLINDER |
| 24.122A | 2991436000 | STEERING CYLINDER |
| 24.320 | 4532290000 | CYLINDER QUICK-HITCH |
| 26.082 | 2988234001 | BRAKE VALVE |
| 27.010 | 2989858003 | HEATING INSTALL.MATERIAL |
| 27.010 | 2990949001 | HEATING INSTALLATION HP (OPTION) |
| 27.011 | 2988891001 | HEATING MOUNTING PARTS |
| 27.011 | 2988892001 | HEATING MOUNTING PARTS HP (OPTION) |
| 27.400 | 2988655001 | AIR CONDITION INSTALL.MATERIAL |
| 27.400 | 2991308001 | AIR CONDITION INSTALL.MATERIAL (OPTION) |
| 27.401 | 2988893001 | AIR CONDITION MOUNTING PARTS |
| 27.420 | 2988477000 | LIQUEFIER INSTALL.MATERIAL |
| 27.450 | 2988483001 | COMPRESSOR INSTALL.MATERIAL AIR CONDITION |
| 32.010 | 2992609000 | ELECTRICAL SYSTEM BASIC MACHINE COMPLETE |
| 32.130 | 2991956001 | ELECTRICAL SYSTEM FRONT CARRIAGE |
| 32.133 | 2991958000 | CABLE HARNESS FRONT CARRIAGE |
| 32.140 | 2987290000 | ELECTRICAL SYSTEM REAR CARRIAGE |
| 32.142 | 2987292000 | CABLE HARNESS INSTALL.MATERIAL REAR CARRIAGE |
| 32.143 | 2987293000 | CABLE HARNESS REAR CARRIAGE |
| 32.143 | 2987733000 | CABLE HARNESS REAR CARRIAGE FAST GEAR |
| 32.152 | 2990013000 | CENTRAL ELECTRONIC RELAY CIRCUIT BOA |
| 32.170 | 2987294000 | BATTERY INSTALL.MATERIAL |
| 32.175 | 2990441000 | MAIN SWITCH BATTERY INSTALL.MATERIAL |
| 32.176 | 2941508000 | MAIN SWITCH BATTERY |
| 32.201 | 2984501002 | ILLUMINATION FRONT MOUNTING PARTS LEFT-HAND |
| 32.201 | 2984502002 | ILLUMINATION FRONT MOUNTING PARTS RIGHT-HAND |
| 32.210 | 2987295001 | ILLUMINATION REAR INSTALL.MATERIAL |
| 32.220 | 2988203000 | TAILLIGHT BRAKE LIGHT |
| 32.225 | 2988204000 | REVERSING LIGHT TURN SIGNAL LIGHT |
| 32.242 | 2990491000 | LIC. PLATE LIGHT |
| 32.243 | 2990492000 | CABLE HARNESS LIC. PLATE LIGHT |
| 32.273 | 2990471001 | AIR CONDITION CABLE HARNESS (OPTION) |
| 32.405 | 2988466000 | DASHBOARD |
| 32.405 | 2988469000 | DASHBOARD FAST GEAR |
| 32.405 | 2990002000 | DASHBOARD |
| 32.452 | 2990076000 | GEARSHIFT LEVER |
| 32.500 | 2988468000 | ELECTRICAL SYSTEM OPERATORS CAB FAST GEAR |
| 32.500 | 2989844002 | ELECTRICAL SYSTEM OPERATORS CAB |
| 32.500 | 2991957000 | ELECTRICAL SYSTEM OPERATORS CAB |
| 32.510 | 2991959000 | CABLE HARNESS OPERATORS CAB |
| 32.512 | 2991960000 | OPERATORS CAB CABLE HARNESS BASE |
| 32.514 | 2989999001 | OPERATORS CAB CABLE HARNESS ROOF |
| 32.520 | 2988792002 | HEADLIGHT OPERATORS CAB INSTALL.MATERIAL REAR |

TABLE OF CONTENTS

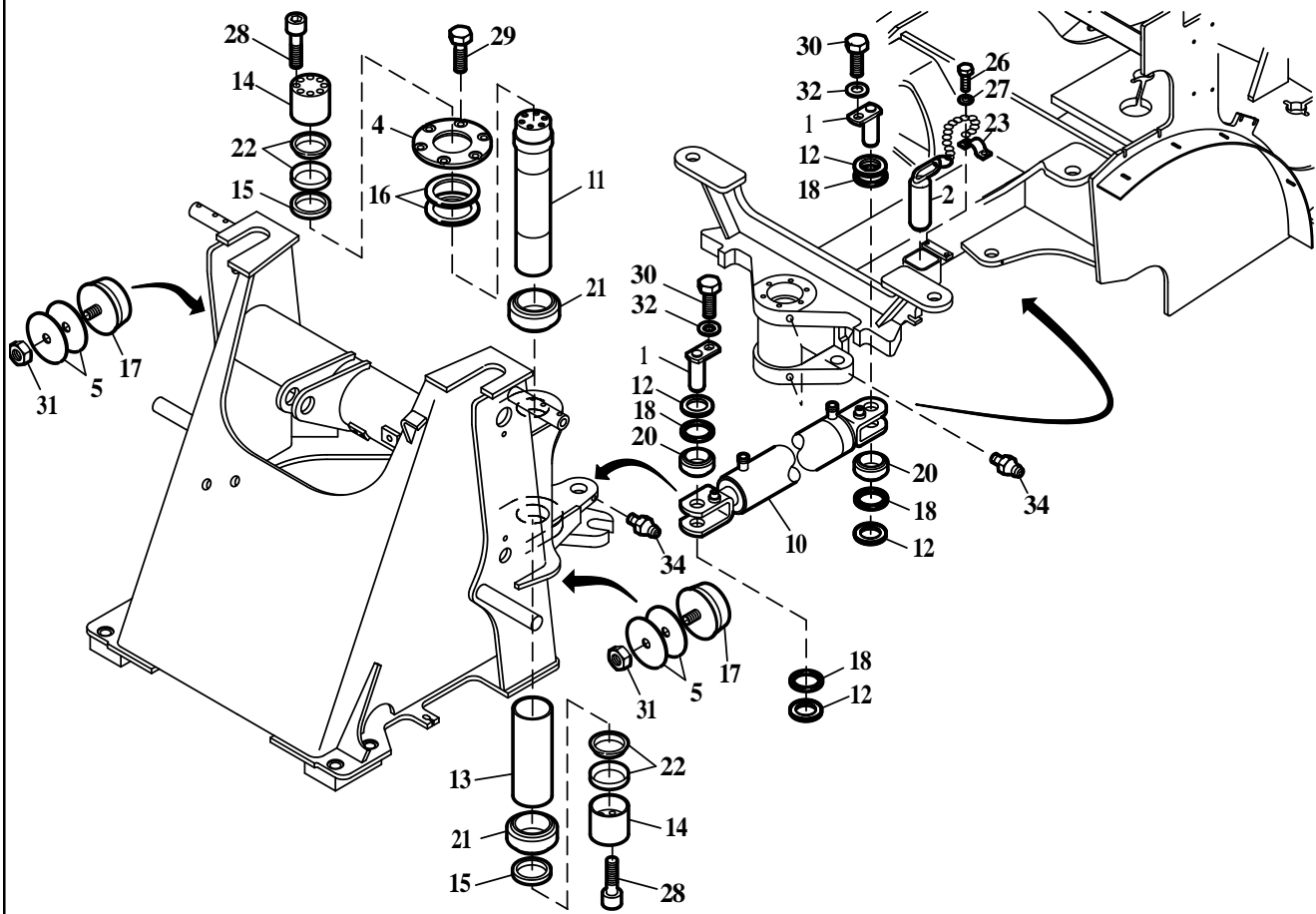
| | | |
|---------|------------|---|
| 32.522 | 2990556000 | HEADLIGHT |
| 32.590 | 2989824000 | RADIO INSTALL.MATERIAL LOUDSPEAKER |
| 32.592 | 2783610002 | RADIO |
| 32.592 | 2988775000 | RADIO |
| 32.740 | 2990727000 | HEADLIGHT INSTALL.MATERIAL |
| 32.750 | 2992620000 | ELECTRICAL SYSTEM RIDECONTROL |
| 32.753 | 2992621000 | CABLE HARNESS RIDECONTROL |
| 32.850 | 2988774001 | BEACON LIGHT INSTALL.MATERIAL |
| 32.852 | 2940767000 | BEACON LIGHT |
| 32.870 | 2988778000 | SIGNAL INSTALL.MATERIAL SHIFTABLE |
| 32.870 | 2989807000 | SIGNAL INSTALL.MATERIAL PERMANENT |
| 32.871 | 2988779000 | SIGNAL CONTROL PANEL BACKUP SIGNAL |
| 32.880 | 2990725000 | ANTI-THEFT DECICE INSTALL.MATERIAL |
| 32.882 | 2991164000 | ANTI-THEFT DECICE ELECTRICAL SYSTEM |
| 32.884 | 2991165000 | ANTI-THEFT DECICE CABLE HARNESS |
| 34.002 | 2991404000 | OPERATORS CAB ASSEMBLY SET HEIZUNG HP |
| 34.002 | 2991406000 | OPERATORS CAB ASSEMBLY SET HEIZUNG |
| 34.005 | 2991386001 | CAB MODULE |
| 34.005 | 2991387001 | CAB MODULE AIR CONDITION |
| 34.005 | 2991388001 | CAB MODULE |
| 34.010 | 2987272000 | CAB MODULE INSTALL.MATERIAL |
| 34.012 | 2991648001 | CAB MODULE AIR CONDITION |
| 34.012 | 2991649000 | CAB MODULE |
| 34.021 | 2989697003 | OPERATORS CAB MOUNTING PARTS |
| 34.021 | 2989698004 | OPERATORS CAB MOUNTING PARTS |
| 34.130 | 2989696002 | CONTROL COLUMN INSTALL.MATERIAL |
| 34.220 | 2989830003 | CAB DOOR |
| 34.230 | 2989699001 | GLAZING OPERATORS CAB |
| 34.236 | 2990728000 | SKYLIGHT WINDOW (OPTION) (S/N 534501-UP) |
| 34.500 | 2988720000 | OPERATORS SEAT INSTALL.MATERIAL MECHAN.SUSPENSION |
| 34.502 | 2988721000 | OPERATORS SEAT MECHAN.SUSPENSION |
| 34.506 | 2940677000 | OPERATORS SEAT TOP MECHAN.SUSPENSION |
| 34.507 | 2940683000 | OPERATORS SEAT BOTTOM SECTION MECHAN.SUSPENSION |
| 34.532 | 01 | SAFETY BELT (OPTION) |
| 35.070 | 2988122001 | LICENCE PL.BRACKET INSTALL.MATERIAL REAR |
| 35.070 | 2988124000 | LICENCE PL.BRACKET INSTALL.MATERIAL FRONT |
| 36.020 | 2988686000 | ENGINE HOOD INSTALL.MATERIAL |
| 36.022 | 2988687000 | ENGINE HOOD |
| 36.560 | 2988603000 | COVER "V"-BELT |
| 42.020 | 4554907000 | EQUIPMENT ITALY |
| 42.050 | 2812247000 | PROTECTOR |
| 42.050 | 2902717000 | PROTECTOR |
| 60.601 | 4554759000 | MONOBOOM ASSEMBLY PARTS |
| 60.601 | 4554797000 | MONOBOOM ASSEMBLY PARTS |
| 60.602 | 4554803000 | MONOBOOM |
| 64.010 | 2991889000 | CLAMSHELL INSTALL.MATERIAL |
| 64.011 | 2991890000 | CLAMSHELL MOUNTING PARTS |
| 64.500 | 2991829000 | BLADE INSTALL.MATERIAL 2050MM |
| 64.500 | 2991832000 | BLADE INSTALL.MATERIAL 2100MM |
| 70.300 | 2812457000 | FORK CARRIAGE PROTECTOR |
| 70.300 | 2991917000 | FORK CARRIAGE SOLID |
| 70.320 | 2487405001 | FORKS 100X45X1200 |
| 70.325 | 2991884001 | HINGED FORK |
| 70.325 | 2991885000 | HINGED FORK |
| 70.325A | 2991884001 | HINGED FORK |

TABLE OF CONTENTS

| | | |
|---------|------------|-------------------------------------|
| 71.500 | 4554789000 | QUICK-HITCH INSTALL.MATERIAL |
| 76.200 | 2991933000 | PIPE-BREAK PROTEC. INSTALL.MATERIAL |
| 76.200A | 2991933000 | PIPE-BREAK PROTEC. INSTALL.MATERIAL |
| 91.000 | 4554095000 | PLATES COMPLETE |
| 92.010 | 2987278000 | TOOL SET |
| 92.040 | 2991675000 | TOOLBOX INSTALL.MATERIAL |
| 92.042 | 2991676000 | TOOLBOX |
| 95.000 | 2987628000 | MOTOR |
| 95.001 | 2984858001 | DIPSTICK |
| 95.002 | 2746518001 | OIL SUMP |
| 95.005 | 2139021004 | POWER TAKE-OFF |
| 95.005 | 2984871001 | FLYWHEEL |
| 95.008 | 2432612001 | FILLER CAP |
| 95.008 | 2984883001 | CYL.HEAD COVER |
| 95.015 | 2432618001 | LUBE OIL FILTER |
| 95.015 | 2984889002 | FILTER BRACKET |
| 95.016 | 2432620001 | HEATING |
| 95.016 | 2984886001 | WATER SUPPLY |
| 95.019 | 2987819001 | INJECTION VALVE |
| 95.020 | 2432627001 | BRACKET |
| 95.020 | 2984890001 | FILTER CARTRIDGE |
| 95.020 | 2987818001 | FUEL PUMP |
| 95.021 | 2432632001 | FUEL LINE |
| 95.021 | 2987808001 | FUEL LINE |
| 95.021 | 2987817001 | INJECTION PIPE |
| 95.021 | 2987821001 | FUEL LINE |
| 95.021 | 2987822001 | FUEL LINE |
| 95.027 | 2987814010 | CAP/CONTROLLER |
| 95.041 | 2139820004 | FLANGE |
| 95.041 | 2984878001 | EXHAUST COLLECTOR |
| 95.044 | 2984849001 | GENERATOR |
| 95.044 | 2984875001 | STARTER MOTOR |
| 95.044 | 2984877001 | AIR SHIELD |
| 95.044 | 2984894001 | FASTENING PARTS |
| 95.044 | 2987838001 | NARROW V-BELT |
| 95.046 | 2192711001 | ENGINE MOUNTING |
| 95.046 | 2193648001 | ENGINE MOUNTING |
| 95.048 | 2984854001 | BRACKET |
| 95.048 | 2984876001 | CONTROL UNIT |
| 95.048 | 2987918001 | CABLE HARNESS |
| 95.051 | 2432648001 | OIL PRESS.SWITCH |
| 95.051 | 2432649001 | TEMP.TRANSMITTER |
| 95.056 | 2984864001 | ENGINE SHUT-DOWN |
| 95.063 | 2984881001 | CABLE HARNESS |
| 95.063 | 2984882001 | HEATER PLUG |

JOINT PARTS FRAME
PARTI ARTICOLATE TELAIO
ARTICULATIONS CADRE
GELENKTEILE RAHMEN

1



PIEZAS DE ARTICUL. BASTIDOR

RAMME

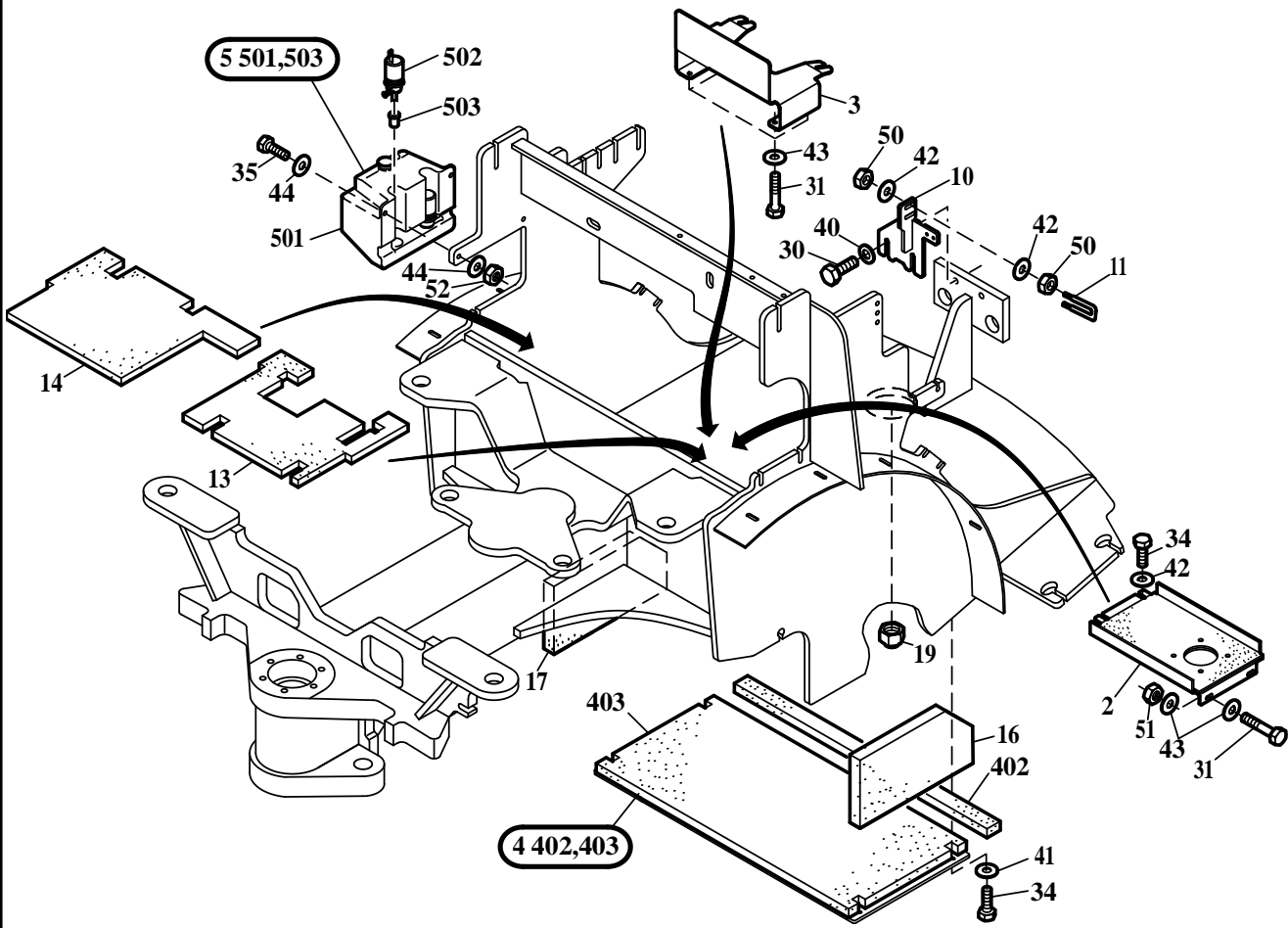
| R | N | P.N. | MOD | Q | Description Denominacion | Descrizione Denominação | Description Beschrijving | Bezeichnung Beskrivelse | L.C. |
|-----|---|-----------|-----|----|--|---------------------------------|--------------------------------------|-------------------------------|------|
| 1 | | 512166 | | 2 | PIN PERNO | PERNO PERNO | AXE PEN | BOLZEN STIFT | 080P |
| 2 | | 4550217 | | 1 | PIN PERNO | PERNO PERNO | AXE PEN | BOLZEN STIFT | 080P |
| 4 | | 1710003 | | 1 | LID TAPA | SPORTELLO TAMPA | VOLET DEKSEL | DECKEL LAAG | 205S |
| 10 | | NS | | 1 | STEERING CYLINDER SEE FIGURE 24.122/2991436000 | | | | |
| | | | | | | NON GESTITO | NON FOURNI | KEIN ERSATZTEIL | 061N |
| | | | | | NO SE REPARA | NOT SERVICED | NIET GESTOCKEERD | NOT SERVICED | |
| 11 | | 1710002 | | 1 | PIN PASADOR TUBOLAR | SPINA ELASTICA TROCO | GOUPILLE ELASTIQUE SPANSTIFT | SPANNSTIFT SPLIT | 200S |
| 12 | | 4552174 | | 4 | DISK/WASHER ARANDELA | ROSETTA PIANA ANILHA | RONDELLE SLUITRING | UNTERLEGSCHIEBE FLADSKIVE | 131R |
| 13 | | 1710014 | | 1 | SLEEVE PERNO | PERNO PERNO | AXE PEN | BOLZEN STIFT | 080P |
| 14 | | 1710013 | | 2 | LID PERNO | PERNO PERNO | AXE PEN | BOLZEN STIFT | 080P |
| 15 | | 1710015 | | 2 | RING ANILLO | ANELLO ANEL | ANNEAU RING | RING RING | 045A |
| 16 | | 1710004 | | 2 | DISK/WASHER ANILLO | ANELLO ANEL | ANNEAU RING | RING RING | 045A |
| 18 | | 750585 | | 4 | GASKET JUNTA HERMETICA | GUARNIZIONE JUNTA | JOINT DICHTINGSSTUK | DICHTUNG, FLACH PAKNING | 123G |
| 20 | | 2929701 | | 2 | JOINT BEARING COJINETE | CUSCINETTO ROLAMENTO | ROULEMENT LAGER | LAGER, KOMPLETT | 341C |
| 21 | | 306270 | | 2 | JOINT BEARING COJINETE | CUSCINETTO ROLAMENTO | ROULEMENT LAGER | LAGER, KOMPLETT | 341C |
| 22 | | 215196 | | 4 | CLAMPING PIECE BORNE | MORSETTO BORNE | BRIDE KLEM | KLEMME SPÆNDEBÅND | 120M |
| 23 | | 2900981 | | 1 | CABLE RETAINER RETENADOR DE CABLE | FERMO, CAVO CABO RETENTOR | RETENEUR DE CABLE RETAINER, CABLE | KABELHALTER KABELHOLDER | P738 |
| 26 | | 2975136 | | 2 | HEXAGON BOLT TORNILLO | BULLONE PARAFUSO | BOULON BOUT | SCHRAUBE SKRUE | 140B |
| 27 | | 56982 | | 2 | DISK/WASHER ARANDELA | ROSETTA PIANA ANILHA | RONDELLE SLUITRING | UNTERLEGSCHIEBE FLADSKIVE | 131R |
| 28 | | 264227 | | 16 | CYL.HEAD SCREW TORNILLO | VITE PARAFUSO | VIS SCHROEF | SCHRAUBE SKRUE | 040V |
| 29 | | 9706687 | | 6 | Bolt, Hex, M12 x 30, 8.8 TORNILLO | VITE PARAFUSO | VIS SCHROEF | SCHRAUBE SKRUE | 040V |
| 30 | | 300383 | | 2 | BOLT, Hex, M10 x 16, 8.8, TORNILLO | Full Thd BULLONE PARAFUSO | BOULON BOUT | SCHRAUBE SKRUE | 140B |
| 32 | | 530811 | | 2 | DISK/WASHER ARANDELA | ROSETTA PIANA ANILHA | RONDELLE SLUITRING | UNTERLEGSCHIEBE FLADSKIVE | 131R |
| 34 | | 8412011 | | 2 | GREASE NIPPLE ENGRASADOR | INGRASSATORE LUBRIFICADOR | GRAISSEUR SMEERNIPPEL | SCHMIERNIPPEL SMOERENIPPEL | 060I |
| 990 | | {4554343} | | AR | ARTICULATED JOINT | | | | |

2992646

W70TC

REAR FRAME WITH MOUNT. PARTS
TELAIO POSTERIORE SERIE MONTAGGIO
CHASSIS ARRIERE AV. PIECES MONT.
HINTERRAHMEN MIT ANBAUTEILEN

1



BASTIDOR TRASERO C. PIEZAS DE MONT

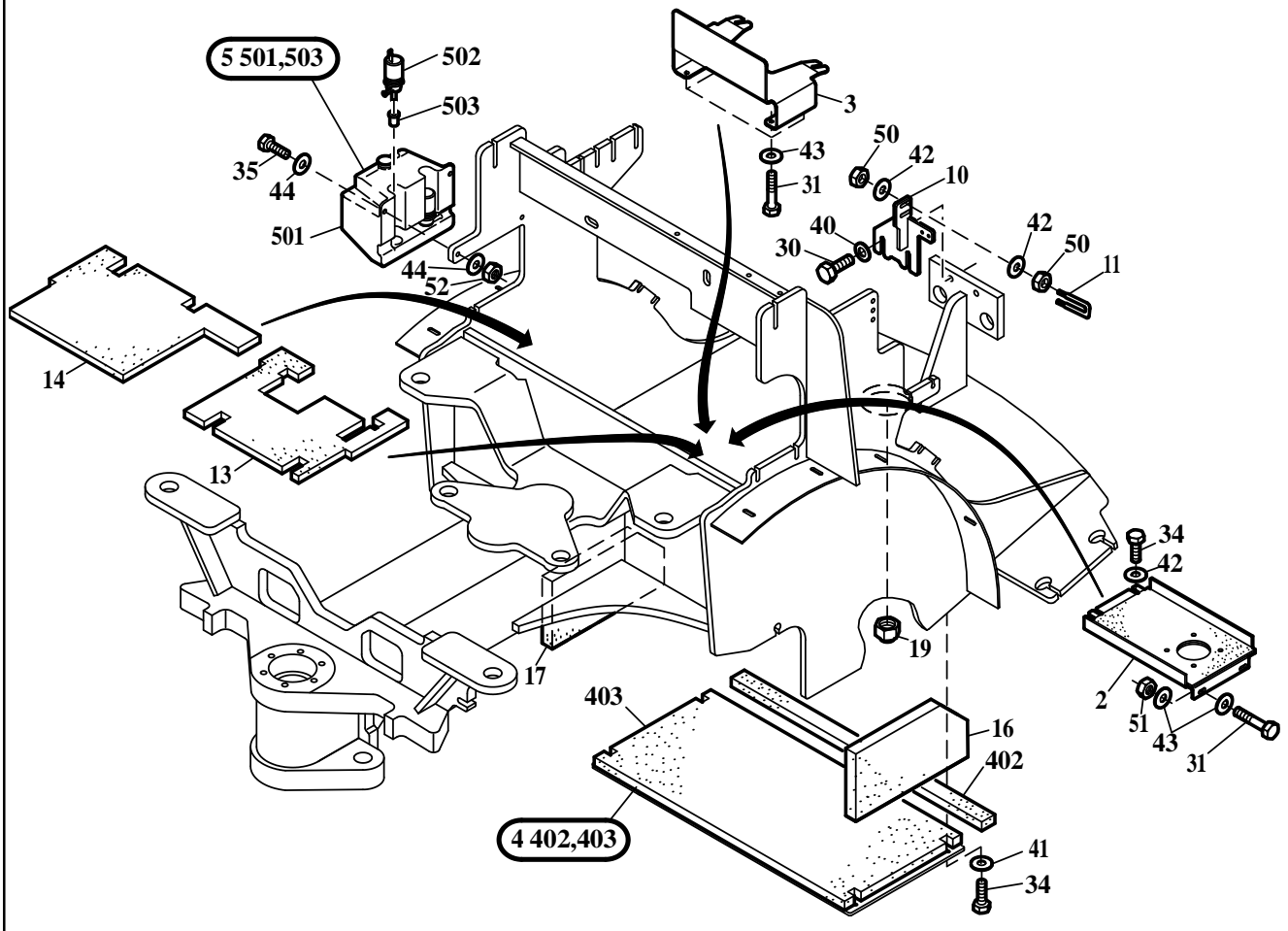
| R | N | P.N. | MOD | Q | Description Denominacion | Descricao Denominaçao | Description Beschrijving | Bezeichnung Beskrivelse | L.C. |
|-----|---|---------|-----|---|-----------------------------------|--|--------------------------------------|-----------------------------------|------|
| 2 | | 2813782 | | 1 | SUPPORT SOPORTE | SUPPORTO SUPORTE | SUPPORT STEUN | HALTERUNG, LAGERBO BESLAG | 300S |
| 3 | | 4571383 | | 1 | MOUNTING SOPORTE | SUPPORTO SUPORTE | SUPPORT STEUN | HALTERUNG, LAGERBO BESLAG | 300S |
| 4 | | 2772688 | | 1 | COVER PLATE TAPADERA | COPERCHIO COBERTA | COUVERCLE DEKSEL | ABDECKUNG DÆKSEL | 265C |
| 5 | | 4552751 | | 1 | WATER RESERVOIR DEPÓSITO | SERBATOIO DEPÓSITO | RÉSERVOIR RESERVOIR | VORRATSBEHÄLTER RESERVOIR | 7050 |
| 10 | | 4552878 | | 1 | BRACKET PIEZA DE SOPORTE | STAFFA BRACADEIRA | PATTE FIXATION STEUNBEUGEL | KONSOLE BESLAG | 225S |
| 11 | | 4573244 | | 1 | STRAP PLACA DE SUJECION | STAFFETTA FISSAGGIO COLAR RETENTOR | BRIDE-FIXATION/ COLLI STOPBEUGEL | HALTERBÜGEL SP/ENDRING | 230S |
| 13 | | 2813946 | | 1 | MAT ALFOMBRA | TAPPETINO TAPETE | TAPIS MAT | MATTE MÄTTE | 030T |
| 14 | | 2813947 | | 1 | MAT ALFOMBRA | TAPPETINO TAPETE | TAPIS MAT | MATTE MÄTTE | 030T |
| 16 | | 2772228 | | 1 | MAT PLACA AISLANTE | PIASTRINA ISOLANTE CHAPA ISOLANTE | PLAQUETTE ISOLANTE INSOLATIEPLAAT | DÄMMPLATTE ISOLERINGSPLADE | 112P |
| 17 | | 2772229 | | 1 | MAT ARMADURA | ARMATURA COBERTURA DE PROTE | ARMATURE AFSCHERMING | SCHUTZHUELLE BESKYTTELSSEDÆKSE | 560A |
| 19 | | 900615 | | 1 | PLUG TAPÓN | TAPPO BUJAO | BOUCHON PLUG | STOPFEN PROP | 050T |
| 30 | | 2975077 | | 2 | HEXAGON BOLT TORNILLO | VITE PARAFUSO | VIS SCHROEF | SCHRAUBE SKRUE | 040V |
| 31 | | 2975214 | | 6 | HEXAGON BOLT TORNILLO | BULLONE PARAFUSO | BOULON BOUT | SCHRAUBE SKRUE | 140B |
| 34 | | 57013 | | 6 | HEXAGON BOLT TORNILLO | BULLONE PARAFUSO | BOULON BOUT | SCHRAUBE SKRUE | 140B |
| 35 | | 2975143 | | 2 | HEXAGON BOLT TORNILLO | BULLONE PARAFUSO | BOULON BOUT | SCHRAUBE SKRUE | 140B |
| 40 | | 2975160 | | 2 | DISK/WASHER ARANDELA DE FRENO | ROSETTA DI SICUREZZA/ ANILHA DE FIXACAO | RONDELLE FREIN VEERRING | SICHERUNGSSCHEIBE LAASESKIVE | 132R |
| 41 | | 2975165 | | 6 | DISK/WASHER ARANDELA | ROSETTA PIANA ANILHA | RONDELLE SLUITRING | UNTERLEGSCHIEBE FLADSKIVE | 131R |
| 42 | | 62543 | | 5 | DISK/WASHER ARANDELA | ROSETTA PIANA ANILHA | RONDELLE SLUITRING | UNTERLEGSCHIEBE FLADSKIVE | 131R |
| 43 | | 2977362 | | 8 | DISK/WASHER ARANDELA | ROSETTA PIANA ANILHA | RONDELLE SLUITRING | UNTERLEGSCHIEBE FLADSKIVE | 131R |
| 44 | | 63707 | | 4 | DISK/WASHER ARANDELA DE FRENO | ROSETTA DI SICUREZZA/ ANILHA DE FIXACAO | RONDELLE FREIN VEERRING | SICHERUNGSSCHIEBE LAASESKIVE | 132R |
| 50 | | 57126 | | 4 | HEXAGON NUT TUERCA | DADO PORCA | ECROU MOER | MUTTER MOETRIK | 010D |
| 51 | | 68841 | | 2 | HEXAGON NUT TUERCA | DADO PORCA | ECROU MOER | MUTTER MOETRIK | 010D |
| 52 | | 353308 | | 2 | Nut, Lock, M6 x 1, Cl 8 TUERCA | DADO PORCA | ECROU MOER | MUTTER MOETRIK | 010D |
| 402 | | 2772137 | | 1 | MAT ALFOMBRA | TAPPETINO TAPETE | TAPIS MAT | MATTE MÄTTE | 030T |

2992646

W70TC

REAR FRAME WITH MOUNT. PARTS
TELAIO POSTERIORE SERIE MONTAGGIO
CHASSIS ARRIERE AV. PIECES MONT.
HINTERRAHMEN MIT ANBAUTEILEN

1



BUY NOW

**Then Instant Download
the Complete Manual
Thank you very much!**