
TABLE OF CONTENTS

00.100	2990673000	BASIC MACHINE
01.100	2991105001	FRAME BASIC MACHINE WITH MOUNT. PARTS
01.400	2991102000	FRONT FRAME WITH MOUNT. PARTS
01.450	2987093000	JOINT PARTS FRAME
01.500	2988690002	REAR FRAME WITH MOUNT. PARTS
01.680	2988691000	WHEEL COVER INSTALL.MATERIAL
01.682	2988693000	WHEEL COVER
01.810	2991947000	STEPS INSTALL.MATERIAL
02.002	2988511001	AXLES ASSEMBLY SET SELF-LOCKING
02.002	2988512001	AXLES ASSEMBLY SET STANDARD
02.005	2987063000	AXLES COMPLETE STANDARD
02.005	2988146000	AXLES COMPLETE SELF-LOCKING
02.020	2987074001	SWING AXLE INSTALL.MATERIAL STANDARD
02.020	2987077000	SWING AXLE INSTALL.MATERIAL STANDARD
02.020	2988147000	SWING AXLE INSTALL.MATERIAL SELF-LOCKING
02.020	2988148000	SWING AXLE INSTALL.MATERIAL SELF-LOCKING
02.021	2987078000	SWING AXLE MOUNTING PARTS STANDARD
02.021	2988149000	SWING AXLE MOUNTING PARTS SELF-LOCKING
02.022	2987079000	SWING AXLE STANDARD
02.022	2988158000	SWING AXLE SELF-LOCKING
02.023	2988730000	SWING AXLE HOUSING
02.060	2988143001	RIGID AXLE INSTALL.MATERIAL STANDARD
02.061	2988144001	RIGID AXLE MOUNTING PARTS STANDARD
02.062	2988145000	RIGID AXLE STANDARD
02.063	2988320000	RIGID AXLE HOUSING
02.101	2987076002	RIGID AXLE MOUNTING PARTS FAST GEAR
02.101A	2987076002	RIGID AXLE MOUNTING PARTS FAST GEAR
02.102	2988668001	AXLES ASSEMBLY SET FAST GEAR
02.105	2987600000	AXLES FAST GEAR COMPLETE SELF-LOCKING
02.110	2987073002	RIGID AXLE FAST GEAR FAST GEAR
02.112	2988306000	FRONT AXLE FAST GEAR
02.113	2988307000	FRONT AXLE FAST GEAR HOUSING
02.118	2988310000	SERVICE BRAKE FAST GEAR FRONT
02.210	2987601000	REAR AXLE FAST GEAR SELF-LOCKING
02.211	2987602000	REAR AXLE FAST GEAR SELF-LOCKING
02.212	2987603000	REAR AXLE FAST GEAR SELF-LOCKING
02.213	2987592000	REAR AXLE FAST GEAR SELF-LOCKING
02.214	2988743000	REAR AXLE FAST GEAR HOUSING
02.220	2988311000	WHEEL HUB
02.220	2988312000	WHEEL HUB
02.220	2988321000	WHEEL HUB
02.220	2988733000	WHEEL HUB REAR
02.220	2988734000	WHEEL HUB PLANETARY GEAR
05.090	2988017001	WHEELS INSTALL.MATERIAL 375/75R20 X
05.090	2988018001	WHEELS INSTALL.MATERIAL 405/70R20 E
05.090	2988021001	WHEELS INSTALL.MATERIAL 14.5-20MPT
05.090	2988125001	WHEELS INSTALL.MATERIAL 405/70 R20
05.090	2990668000	WHEELS INSTALL.MATERIAL 405/70 R20E
05.090	2990688000	WHEELS INSTALL.MATERIAL 335/80 R20
05.100	2988019000	WHEELS 375/75R20 X
05.100	2988020000	WHEELS 405/70R20 E
05.100	2988022000	WHEELS 14.5-20MPT
05.100	2988138000	WHEELS 405/70 R20
05.100	2990669000	WHEELS 405/70 R20E
05.100	2990689000	WHEELS 335/80 R20

TABLE OF CONTENTS

05.130	2991109000	TRACK EXTENSION 100MM
07.010	2987075001	PROP SHAFT INSTALL.MATERIAL STANDARD
07.010	2987604000	PROP SHAFT INSTALL.MATERIAL FAST GEAR
10.100	2987410001	HYD. OIL TANK INSTALL.MATERIAL
10.102	2988029000	HYD. OIL TANK
10.102	2988030000	HYD. OIL TANK
10.202	2987090000	FUEL TANK
12.010	2991107000	BALLAST INSTALL.MATERIAL
12.040	2987594000	REAR WEIGHT INSTALL.MATERIAL
13.011	2987064003	MOTOR MOUNTING PARTS
13.110	2486328001	REGULATION MOTOR SPEED (OPTION)
13.220	2987066000	EXHAUST SYSTEM INSTALL.MATERIAL
13.222	2987089000	EXHAUST SYSTEM MUFFLER
13.230	2987082001	INTAKE SYSTEM INSTALL.MATERIAL
13.300	2987269005	FUEL SYSTEM
15.120	2987067000	COOLING SYSTEM ENGINE OIL INSTALL.MATERIAL
15.121	2987087002	COMB. COOL. SYST. WATER/OIL MOUNTING PARTS
15.122	2988638000	RADIATOR ENGINE OIL
16.082	2988735001	TRANSFER GEARBOX
16.082	2988742001	TRANSFER GEARBOX
16.082	2988744001	TRANSFER GEARBOX FAST GEAR
16.082	2988745001	TRANSFER GEARBOX FAST GEAR
16.600	2988308000	DIFFERENTIAL
16.600	2988309000	DIFFERENTIAL
16.600	2988731000	DIFFERENTIAL
16.600	2988732000	DIFFERENTIAL
16.610	2988741000	DIFFERENTIAL SELF-LOCKING REAR
17.102	2987085000	COUPLING/CLUTCH
19.202	2988313000	SERVICE BRAKE FRONT AXLE
20.005	2988669000	HYDRAULIC SYSTEM AXLES FAST GEAR
20.010	2987070000	HYDRAULIC SYSTEM BASIC MACHINE
20.100	2987402000	HYDRAULIC SYSTEM DRIVING
20.100	2988117001	HYDRAULIC SYSTEM DRIVING FAST GEAR
20.500	2989810000	HYDRAULIC SYSTEM WORK
20.520	2988484000	RIDECONTROL COMPLETE
20.521	2988485000	HYDRAULIC SYSTEM RIDECONTROL
20.522	2988486000	ELECTRICAL SYSTEM RIDECONTROL
20.530	2987403002	HYDRAULIC SYSTEM STEERING
20.535	2988110000	HYDRAULIC SYSTEM EMERGENCY-STEERIN FAST GEAR
20.540	2987408002	HYDRAULIC SYSTEM BRAKE
20.540	2988115001	HYDRAULIC SYSTEM BRAKE FAST GEAR
20.540	2988217002	HYDRAULIC SYSTEM BRAKE
20.560	2990500000	HYDRAULIC SYSTEM QUICK-HITCH
20.570	2487362001	HYDRAULIC SYSTEM ADDITIONAL FUNCT.
22.050	2987630000	GEAR PUMP INSTALL.MATERIAL
22.052	2812636000	GEAR PUMP
22.052	2987631000	GEAR PUMP
22.052	2989728000	GEAR PUMP
22.052	2989729000	GEAR PUMP
22.060	2987083001	AXIAL PISTON PUMP INSTALL.MATERIAL
22.062	2987653000	AXIAL PISTON PUMP
22.064	2988378000	DRIVE DEVICE PUMP
22.066	2811919000	REGULATION PUMP
22.120	2987080000	AXIAL PISTON MOTOR INSTALL.MATERIAL STANDARD
22.120	2987605000	AXIAL PISTON MOTOR INSTALL.MATERIAL

TABLE OF CONTENTS

22.124	2812159001	DRIVE DEVICE HYDRAULIC MOTOR
22.124	2902030000	DRIVE DEVICE HYDRAULIC MOTOR
22.126	2988374000	REGULATION HYDRAULIC MOTOR
22.126	2988375000	REGULATION HYDRAULIC MOTOR CONTROL UNIT
22.126	2988402000	REGULATION HYDRAULIC MOTOR CONTROL UNIT
22.126	2988506000	REGULATION HYDRAULIC MOTOR
22.130	2989695000	GEAR MOTOR FAN
22.220	2939514002	HYDRAULIC FILTER
22.300	2989883000	PRESS.ACCUMULATOR EMERGENCY-STEERIN
22.420	2988487000	VALVE BLOCK INSTALL.MATERIAL
22.422	2988488000	VALVE BLOCK
22.430	2811920000	DISTRIBUTOR PLATE PUMP INSTALL.MATERIAL
23.010	2988380000	HYDRAULIC SYSTEM VALVES SOLENOID VALVE
23.032	2295041002	PRESS.REL.VALVE
23.032	2941917000	PRESS.REL.VALVE
23.032	2989727000	PRESS.REL.VALVE
23.060	2812166000	FEED. PRESS. VALVE
23.091	2988663000	STEERING VALVE MOUNTING PARTS
23.092	2487387000	STEERING VALVE
23.110	2988324000	VALVE MAX. LOAD CONTROL
23.142	2811662000	STOP VALVE
23.142	2811663002	STOP VALVE
23.192	2295043002	SWITCH-OVER VALVE
23.211	2988119001	SHIFT VALVE MOUNTING PARTS
23.212	2989878000	SHIFT VALVE
23.265	2944932001	PRESSUR.SWITCH
23.265	2988460000	PRESSUR.SWITCH OPERATORS CAB
23.611	2990070000	CONTROL BLOCK MOUNTING PARTS
23.611	2990428000	CONTROL BLOCK MOUNTING PARTS
24.010	2783942001	CYLINDER INSTALL.MATERIAL QUICK-HITCH
24.062	2487417001	DUMP CYLINDER
24.072	2991103000	LIFT CYLINDER
24.082	2991104000	TIP CYLINDER
24.122	2991211000	STEERING CYLINDER
24.122	6559330000	STEERING CYLINDER
24.320	2487363000	CYLINDER QUICK-HITCH
24.320	2942621001	CYLINDER QUICK-HITCH
26.082	2988234001	BRAKE VALVE
27.010	2990949001	HEATING INSTALLATION HP (OPTION)
27.011	2988892001	HEATING MOUNTING PARTS HP (OPTION)
27.400	2988655001	AIR CONDITION INSTALL.MATERIAL
27.400	2991308001	AIR CONDITION INSTALL.MATERIAL (OPTION)
27.401	2988893001	AIR CONDITION MOUNTING PARTS
27.420	2988477000	LIQUEFIER INSTALL.MATERIAL
27.450	2988483001	COMPRESSOR INSTALL.MATERIAL AIR CONDITION
32.010	2987071000	ELECTRICAL SYSTEM BASIC MACHINE COMPLETE
32.130	2987291001	ELECTRICAL SYSTEM FRONT CARRIAGE
32.133	2987732000	CABLE HARNESS FRONT CARRIAGE
32.140	2987290000	ELECTRICAL SYSTEM REAR CARRIAGE
32.142	2987292000	CABLE HARNESS INSTALL.MATERIAL REAR CARRIAGE
32.143	2987293000	CABLE HARNESS REAR CARRIAGE
32.143	2987733000	CABLE HARNESS REAR CARRIAGE FAST GEAR
32.152	2990013000	CENTRAL ELECTRONIC RELAY CIRCUIT BOA
32.170	2987294000	BATTERY INSTALL.MATERIAL
32.175	2990441000	MAIN SWITCH BATTERY INSTALL.MATERIAL

TABLE OF CONTENTS

32.176	2941508000	MAIN SWITCH BATTERY
32.201	2984501002	ILLUMINATION FRONT MOUNTING PARTS LEFT-HAND
32.201	2984502002	ILLUMINATION FRONT MOUNTING PARTS RIGHT-HAND
32.210	2987295001	ILLUMINATION REAR INSTALL.MATERIAL
32.220	2988203000	TAILLIGHT BRAKE LIGHT
32.225	2988204000	REVERSING LIGHT TURN SIGNAL LIGHT
32.242	2990491000	LIC. PLATE LIGHT
32.243	2990492000	CABLE HARNESS LIC. PLATE LIGHT
32.273	2990471001	AIR CONDITION CABLE HARNESS (OPTION)
32.405	2988466000	DASHBOARD
32.405	2988469000	DASHBOARD FAST GEAR
32.405	2990002000	DASHBOARD
32.452	2990076000	GEARSHIFT LEVER
32.500	2988468000	ELECTRICAL SYSTEM OPERATORS CAB FAST GEAR
32.500	2988920000	ELECTRICAL SYSTEM OPERATORS CAB
32.500	2989844002	ELECTRICAL SYSTEM OPERATORS CAB
32.510	2989997001	CABLE HARNESS OPERATORS CAB KABINE
32.512	2989998000	OPERATORS CAB CABLE HARNESS BASE
32.514	2989999001	OPERATORS CAB CABLE HARNESS ROOF
32.520	2988792002	HEADLIGHT OPERATORS CAB INSTALL.MATERIAL REAR
32.522	2990556000	HEADLIGHT
32.590	2989824000	RADIO INSTALL.MATERIAL LOUDSPEAKER
32.592	2783610002	RADIO
32.592	2988775000	RADIO
32.740	2990727000	HEADLIGHT INSTALL.MATERIAL
32.753	2987734000	CABLE HARNESS RIDECONTROL
32.850	2988774001	BEACON LIGHT INSTALL.MATERIAL
32.852	2940767000	BEACON LIGHT
32.870	2988778000	SIGNAL INSTALL.MATERIAL SHIFTABLE
32.870	2989807000	SIGNAL INSTALL.MATERIAL PERMANENT
32.871	2988779000	SIGNAL CONTROL PANEL BACKUP SIGNAL
32.880	2990725000	ANTI-THEFT DECICE INSTALL.MATERIAL
32.882	2991164000	ANTI-THEFT DECICE ELECTRICAL SYSTEM
32.884	2991165000	ANTI-THEFT DECICE CABLE HARNESS
34.002	2988661000	OPERATORS CAB ASSEMBLY SET HEATING
34.002	2988664000	OPERATORS CAB ASSEMBLY SET AIR CONDITION
34.002	2988666000	OPERATORS CAB ASSEMBLY SET
34.005	2988662000	CAB MODULE HEATING
34.005	2988665000	CAB MODULE AIR CONDITION
34.005	2988667000	CAB MODULE
34.010	2987272000	CAB MODULE INSTALL.MATERIAL
34.012	2988651000	CAB MODULE HEATING
34.012	2988656000	CAB MODULE AIR CONDITION
34.012	2988660000	CAB MODULE
34.021	2989697003	OPERATORS CAB MOUNTING PARTS
34.021	2989698004	OPERATORS CAB MOUNTING PARTS
34.130	2989696002	CONTROL COLUMN INSTALL.MATERIAL
34.220	2989830003	CAB DOOR
34.230	2989699001	GLAZING OPERATORS CAB
34.236	2990728000	SKYLIGHT WINDOW (OPTION) (S/N 534501-UP)
34.282	2989832002	SIDE DOOR RIGHT-HAND (S/N 534501-UP)
34.500	2988720000	OPERATORS SEAT INSTALL.MATERIAL MECHAN.SUSPENSION
34.502	2988721000	OPERATORS SEAT MECHAN.SUSPENSION
34.506	2940677000	OPERATORS SEAT TOP MECHAN.SUSPENSION
34.507	2940683000	OPERATORS SEAT BOTTOM SECTION MECHAN.SUSPENSION

TABLE OF CONTENTS

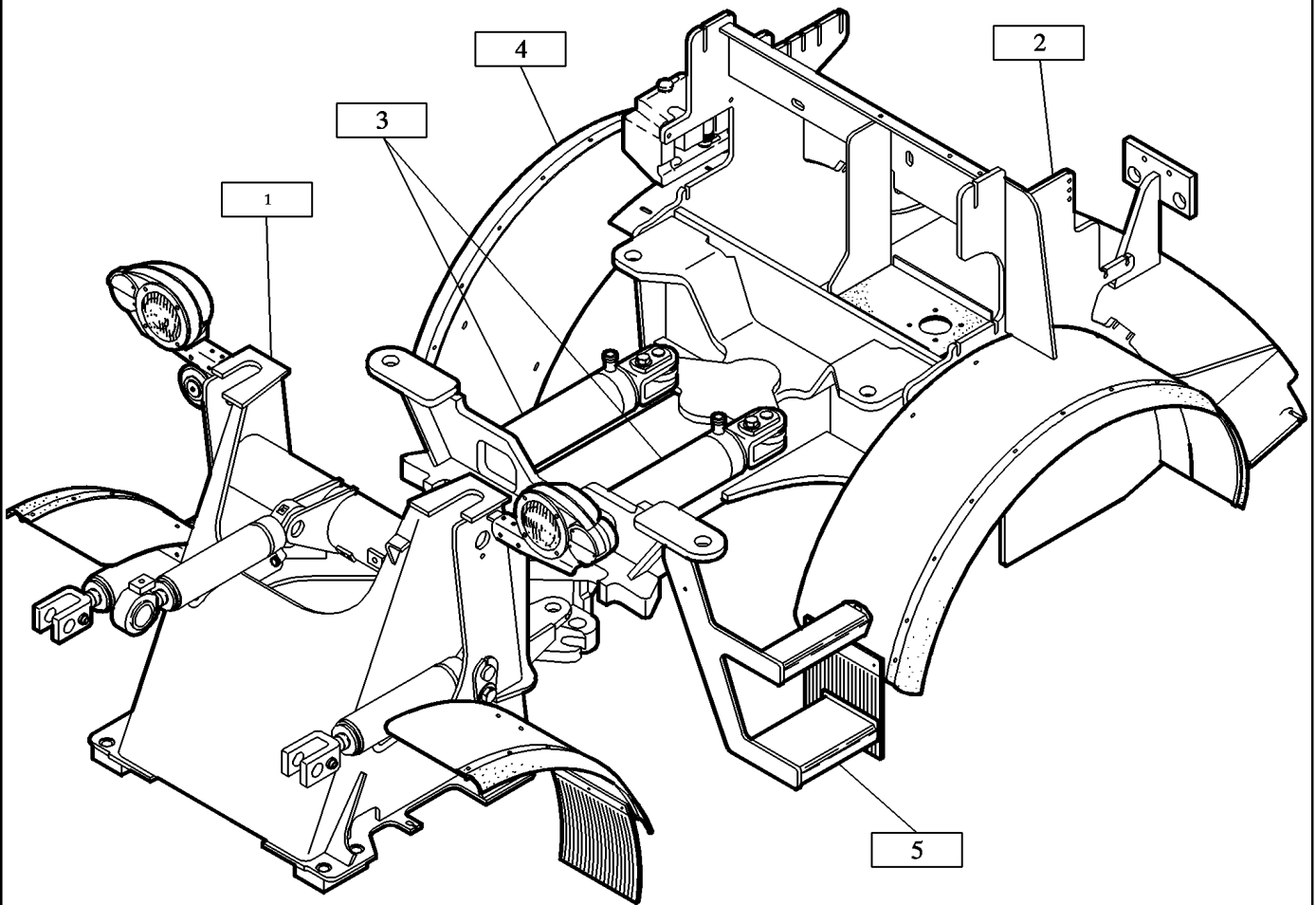
34.532	01	SAFETY BELT (OPTION)
35.070	2988122001	LICENCE PL.BRACKET INSTALL.MATERIAL REAR
35.070	2988124000	LICENCE PL.BRACKET INSTALL.MATERIAL FRONT
36.020	2988686000	ENGINE HOOD INSTALL.MATERIAL
36.022	2988687000	ENGINE HOOD
42.020	2988121000	EQUIPMENT ITALY
42.050	2812247000	PROTECTOR
60.500	2990692000	MAST INSTALL.MATERIAL
60.501	2990693000	MAST MOUNTING PARTS
60.502	2811141002	MAST
60.502	2990694000	MAST
64.010	2989624000	CLAMSHELL INSTALL.MATERIAL 950L-2050MM
64.011	2989625000	CLAMSHELL MOUNTING PARTS 950L-2050MM
64.011	2989639000	CLAMSHELL MOUNTING PARTS 950L-
64.012	2989626000	CLAMSHELL 950L-2050MM
64.012	2989638000	CLAMSHELL 950L-2050MM
64.014	2989622000	CLAMSHELL ASSEMBLY PARTS
64.040	2487418001	HYDRAULIC SYSTEM CLAMSHELL
64.200	2989614000	LOADING BUCKET INSTALL.MATERIAL
64.200	2989621000	LOADING BUCKET INSTALL.MATERIAL 1100L-2100M
64.201	2989606000	BUCKET MOUNTING PARTS 1000L-2100M
64.201	2989613000	BUCKET MOUNTING PARTS 1000L-2100M
64.201	2989619000	BUCKET MOUNTING PARTS 1100L-2100M
64.201	2989620000	BUCKET MOUNTING PARTS 1100L-2100M
64.202	2989607000	LOADING BUCKET 1000L-2100M
64.202	2989608000	LOADING BUCKET 1000L-2100M
64.202	2989616000	LOADING BUCKET 1100L-2100M
64.202	2989618000	LOADING BUCKET 1100L-2100M
64.204	2989611000	LOADING BUCKET ASSEMBLY PARTS
64.210	2989635000	LIGHT GOODS BUCKET INSTALL.MATERIAL 1200L-2100M
64.211	2989627000	LIGHT GOODS BUCKET MOUNTING PARTS 1200L-2100M
64.211	2989636000	LIGHT GOODS BUCKET MOUNTING PARTS 1200L-2100M
64.212	2989629000	LIGHT GOODS BUCKET 1200L-2100M
64.212	2989630000	LIGHT GOODS BUCKET 1200L-2100M
64.500	2989528000	BLADE INSTALL.MATERIAL 2100MM
64.500	2989530000	BLADE INSTALL.MATERIAL 2050MM
70.100	2812321000	LOAD HOOK
70.300	2487404000	FORK CARRIAGE
70.300	2812457000	FORK CARRIAGE PROTECTOR
70.300	2989603000	FORK CARRIAGE 1450MM
70.301	2989599000	FORK CARRIAGE COMPLETE 1450MM
70.304	2989595000	ASSEMBLY PARTS FORK CARRIAGE
70.320	2989593000	FORKS 100X45X1200
76.050	2796567001	POSITION INDICATOR
76.060	2988123000	LIFT ARM LOOK ITALY
76.200	2990429000	PIPE-BREAK PROTEC. INSTALL.MATERIAL
76.240	2939920000	PIPE-BREAK PROTEC. TIP CYLINDER
76.250	2902287001	PIPE-BREAK PROTEC. LIFT CYLINDER
76.350	2812454000	SHUTOFF DEVICE CYLINDER
91.010	2991086000	DECAL KIT DESIGN
91.010	2991650000	DECAL KIT TRANSPARENT
91.020	2991085002	DECAL KIT CHARACTER
92.010	2987072000	TOOL SET
92.040	2991675000	TOOLBOX INSTALL.MATERIAL
92.042	2991676000	TOOLBOX

TABLE OF CONTENTS

95.000	2987081000	MOTOR
95.002	2746518001	OIL SUMP
95.005	2139021004	POWER TAKE-OFF
95.005	2984871001	FLYWHEEL
95.008	2432612001	FILLER CAP
95.008	2987840001	VALVE MECHAN.COVER
95.015	2432618001	LUBE OIL FILTER
95.015	2984889002	FILTER BRACKET
95.016	2432620001	HEATING
95.016	2984886001	WATER SUPPLY
95.019	2987819001	INJECTION VALVE
95.020	2984890001	FILTER CARTRIDGE
95.020	2987818001	FUEL PUMP
95.021	2432632001	FUEL LINE
95.021	2987808001	FUEL LINE
95.021	2987817001	INJECTION PIPE
95.021	2987821001	FUEL LINE
95.021	2987822001	FUEL LINE
95.041	2192779002	COUNTER FLANGE
95.041	2987839001	EXHAUST COLLECTOR
95.043	2987820001	EXH.TURBO CHARGER
95.044	2984849001	GENERATOR
95.044	2984875001	STARTER MOTOR
95.044	2984877001	AIR SHIELD
95.044	2984894001	FASTENING PARTS
95.044	2984895001	BRACKET
95.044	2987838001	NARROW V-BELT
95.046	2192711001	ENGINE MOUNTING
95.046	2193648001	ENGINE MOUNTING
95.048	2984854001	BRACKET
95.048	2984876001	CONTROL UNIT
95.051	2432648001	OIL PRESS.SWITCH
95.051	2432649001	TEMP.TRANSMITTER
95.056	2984864001	ENGINE SHUT-DOWN
95.063	2984881001	CABLE HARNESS
95.063	2984882001	HEATER PLUG

FRAME BASIC MACHINE WITH MOUNT. PARTS
TELAIO MACCHINA BASE SERIE MONTAGGIO
RAHMEN GRUNDGERAET MIT ANBAUTEILEN
CADRE ENGINE DE BASE AV. PIECES MONT.

1



BASTIDOR APARATO BASE C. PIEZAS DE MONT
 RAMME
 FRAME BASIC MACHINE WITH MOUNT. PARTS
 FRAME BASIC MACHINE WITH MOUNT. PARTS

R	N	P.N.	MOD	Q	Description Denominacion	Descrizione Beskrivelse	Bezeichnung Denominação	Description Beschrijving	L.C.
1		NS		1	FRONT FRAME WITH MOUNT. PARTS SEE FIGURE 01.400/2991102000	NON GESTITO	KEIN ERSATZTEIL	NON FOURNI	061N
					NO SE REPARA	NOT SERVICED	NOT SERVICED	NIET GESTOCKEERD	
2		NS		1	REAR FRAME WITH MOUNT. PARTS SEE FIGURE 01.500/2988690002	NON GESTITO	KEIN ERSATZTEIL	NON FOURNI	061N
					NO SE REPARA	NOT SERVICED	NOT SERVICED	NIET GESTOCKEERD	
3		NS		1	JOINT PARTS FRAME SEE FIGURE 01.450/2987093000	NON GESTITO	KEIN ERSATZTEIL	NON FOURNI	061N
					NO SE REPARA	NOT SERVICED	NOT SERVICED	NIET GESTOCKEERD	
4		NS		1	WHEEL COVER INSTALL.MATERIAL SEE FIGURE 01.680/2988691000	NON GESTITO	KEIN ERSATZTEIL	NON FOURNI	061N
					NO SE REPARA	NOT SERVICED	NOT SERVICED	NIET GESTOCKEERD	
5		NS		1	STEPS INSTALL.MATERIAL SEE FIGURE 01.810/2991947000	NON GESTITO	KEIN ERSATZTEIL	NON FOURNI	061N
					NO SE REPARA	NOT SERVICED	NOT SERVICED	NIET GESTOCKEERD	
990		{2840040}		AR	FRAME				

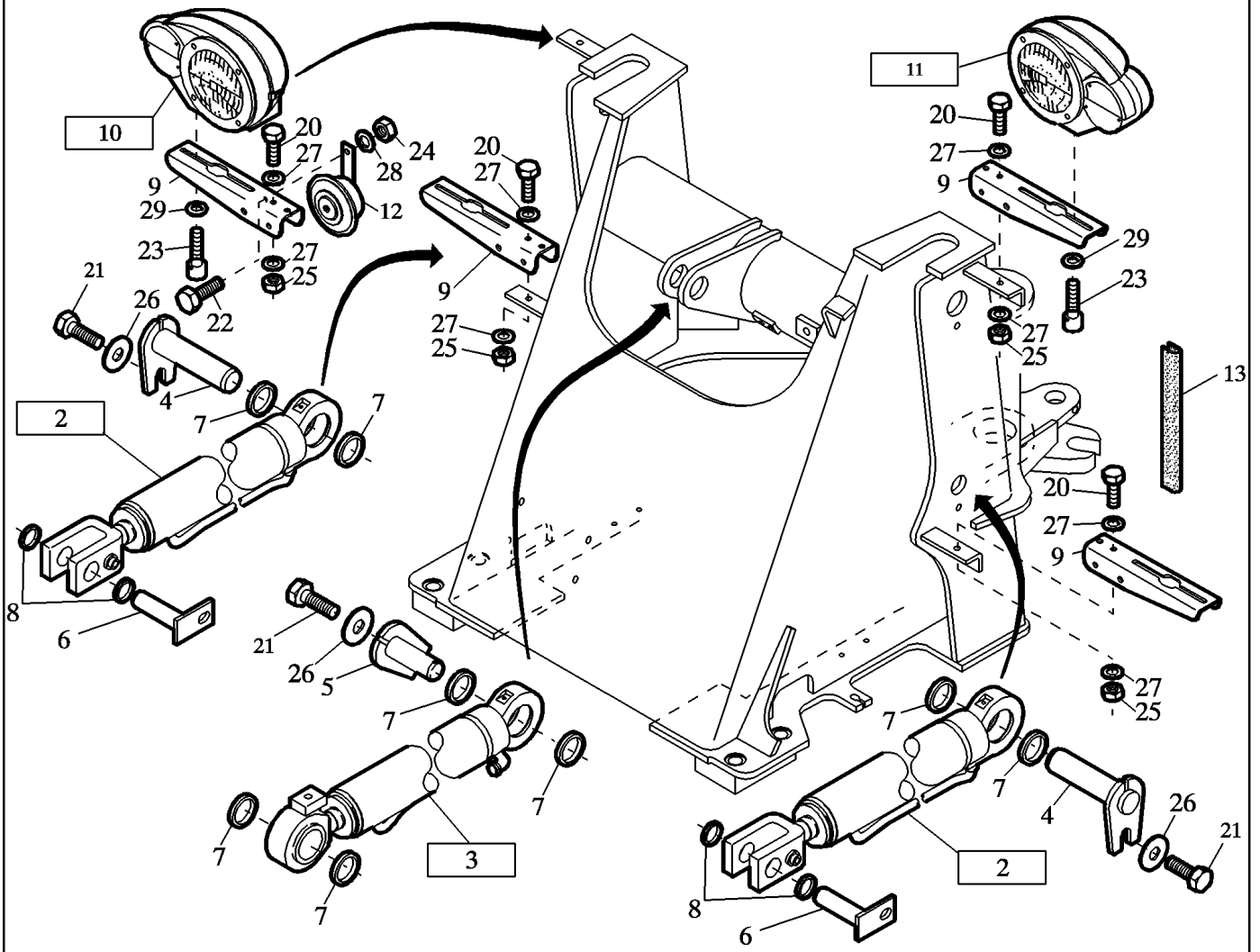
1

2992646

W80

FRONT FRAME WITH MOUNT. PARTS
TELAIO ANTERIORE SERIE MONTAGGIO
VORDERRAHMEN MIT ANBAUTEILEN
CHASSIS AVANT AV. PIECES MONT.

1



BASTIDOR DELANTERO C. PIEZAS DE MONT
FRONT FRAME WITH MOUNT. PARTS
FRONT FRAME WITH MOUNT. PARTS
FRONT FRAME WITH MOUNT. PARTS

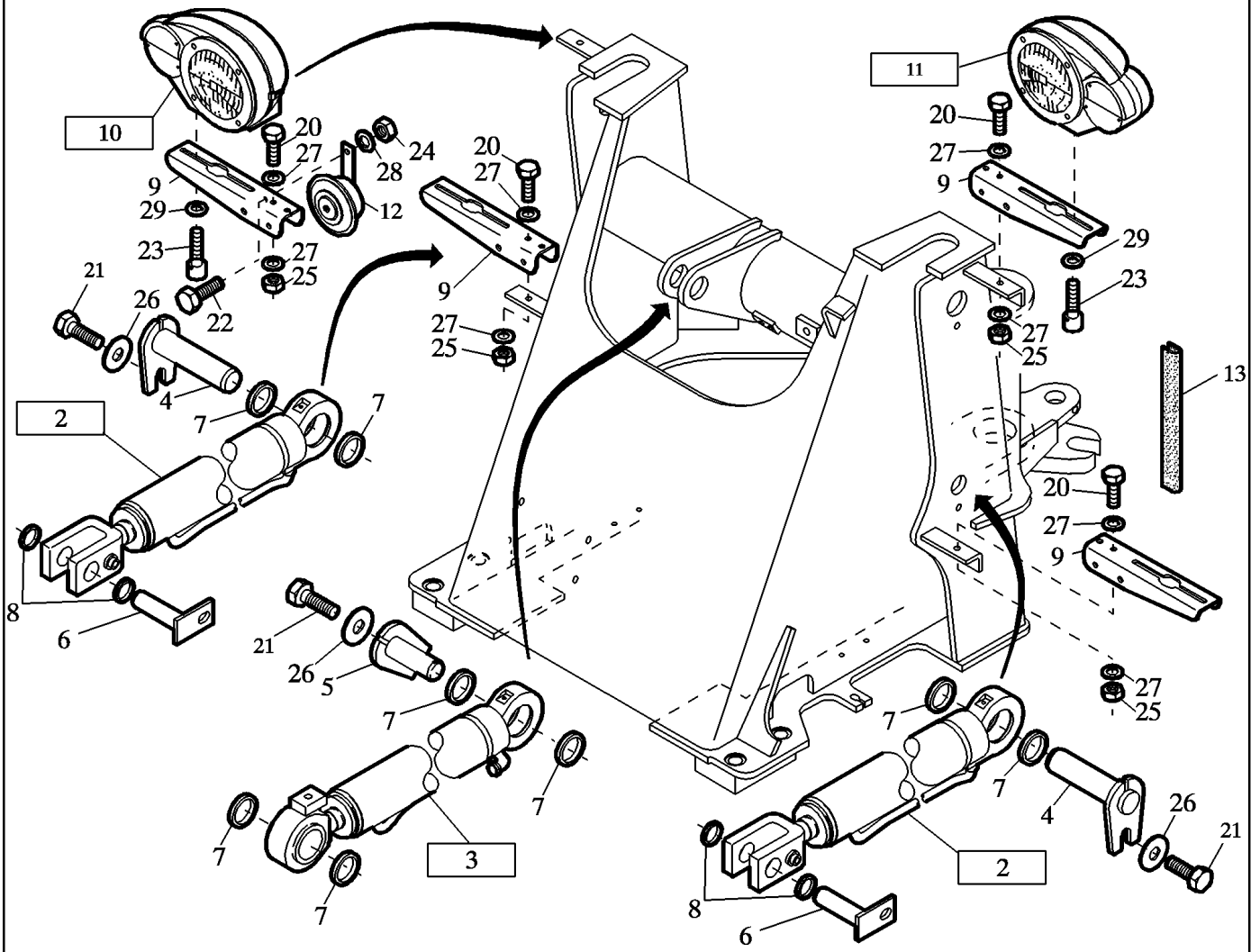
R	N	P.N.	MOD	Q	Description Denominacion	Descrizione Beskrivelse	Bezeichnung Denominação	Description Beschrijving	L.C.
2		NS		2	LIFT CYLINDER SEE FIGURE 24.072/2991103000	NON GESTITO	KEIN ERSATZTEIL	NON FOURNI	061N
					NO SE REPARA	NOT SERVICED	NOT SERVICED	NIET GESTOCKEERD	
3		NS		1	TIP CYLINDER SEE FIGURE 24.082/2991104000	NON GESTITO	KEIN ERSATZTEIL	NON FOURNI	061N
					NO SE REPARA	NOT SERVICED	NOT SERVICED	NIET GESTOCKEERD	
4		2813338		2	PIN	PERNO	BOLZEN	AXE	080P
					PERNO	STIFT	PERNO	PEN	
5		1941220		2	PIN	PERNO	BOLZEN	AXE	080P
					PERNO	STIFT	PERNO	PEN	
6		2212400		2	PIN	PERNO	BOLZEN	AXE	080P
					PERNO	STIFT	PERNO	PEN	
7		1941219		8	GASKET	GUARNIZIONE	DICHTUNG, FLACH	JOINT	123G
					JUNTA HERMETICA	PAKNING	JUNTA	DICHTINGSSTUK	
8		1941206		4	GASKET	GUARNIZIONE	DICHTUNG, FLACH	JOINT	123G
					JUNTA HERMETICA	PAKNING	JUNTA	DICHTINGSSTUK	
9		2813704		4	BRACKET	STAFFA	KONSOLE	PATTE FIXATION	225S
					PIEZA DE SOPORTE	BESLAG	BRACADEIRA	STEUNBEUGEL	
10		NS		1	ILLUMINATION FRONT MOUNTING PARTS RIGHT-HAND SEE FIGURE 32.201/2984502002	NON GESTITO	KEIN ERSATZTEIL	NON FOURNI	061N
					NO SE REPARA	NOT SERVICED	NOT SERVICED	NIET GESTOCKEERD	
11		NS		1	ILLUMINATION FRONT MOUNTING PARTS LEFT-HAND SEE FIGURE 32.201/2984501002	NON GESTITO	KEIN ERSATZTEIL	NON FOURNI	061N
					NO SE REPARA	NOT SERVICED	NOT SERVICED	NIET GESTOCKEERD	
12		216547		1	HORN	AVVISATORE	WARNHORN	AVERTISSEUR	105A
					BOCINA	HORN	BUZINA	HOORN	
13		153957	AR		PROFILE, 0.85 METER	BORDINO	PROFIL	PROFILE, BOURRELET	106B
					PERFIL	PROFIL	PERFIL	PROFIEL	
20		57013		8	HEXAGON BOLT	BULLONE	SCHRAUBE	BOULON	140B
					TORNILLO	SKRUE	PARAFUSO	BOUT	
21		300383		3	BOLT, Hex, M10 x 16, 8.8, Full Thd	BULLONE	SCHRAUBE	BOULON	140B
					TORNILLO	SKRUE	PARAFUSO	BOUT	
22		56656		1	HEXAGON BOLT	BULLONE	SCHRAUBE	BOULON	140B
					TORNILLO	SKRUE	PARAFUSO	BOUT	
23		2168745		4	CYL.HEAD SCREW	VITE	SCHRAUBE	VIS	040V
					TORNILLO	SKRUE	PARAFUSO	SCHROEF	
24		57127		1	HEXAGON NUT	DADO	MUTTER	ECROU	010D
					TUERCA	MOETRIK	PORCA	MOER	
25		57126		8	HEXAGON NUT	DADO	MUTTER	ECROU	010D
					TUERCA	MOETRIK	PORCA	MOER	
26		530811		3	DISK/WASHER	ROSETTA PIANA	UNTERLEGSCHIEBE	RONDELLE	131R
					ARANDELA	FLADSKIVE	ANILHA	SLUITRING	
27		2975165		8	DISK/WASHER	ROSETTA PIANA	UNTERLEGSCHIEBE	RONDELLE	131R
					ARANDELA	FLADSKIVE	ANILHA	SLUITRING	
28		2981701		1	DISK/WASHER	ROSETTA PIANA	UNTERLEGSCHIEBE	RONDELLE	131R
					ARANDELA	FLADSKIVE	ANILHA	SLUITRING	
29		62543		4	DISK/WASHER	ROSETTA PIANA	UNTERLEGSCHIEBE	RONDELLE	131R
					ARANDELA	FLADSKIVE	ANILHA	SLUITRING	

2992646

W80

FRONT FRAME WITH MOUNT. PARTS
TELAIO ANTERIORE SERIE MONTAGGIO
VORDERRAHMEN MIT ANBAUTEILEN
CHASSIS AVANT AV. PIECES MONT.

1



01.400

2991102000 p2

01/07

BASTIDOR DELANTERO C. PIEZAS DE MONT
FRONT FRAME WITH MOUNT. PARTS
FRONT FRAME WITH MOUNT. PARTS
FRONT FRAME WITH MOUNT. PARTS

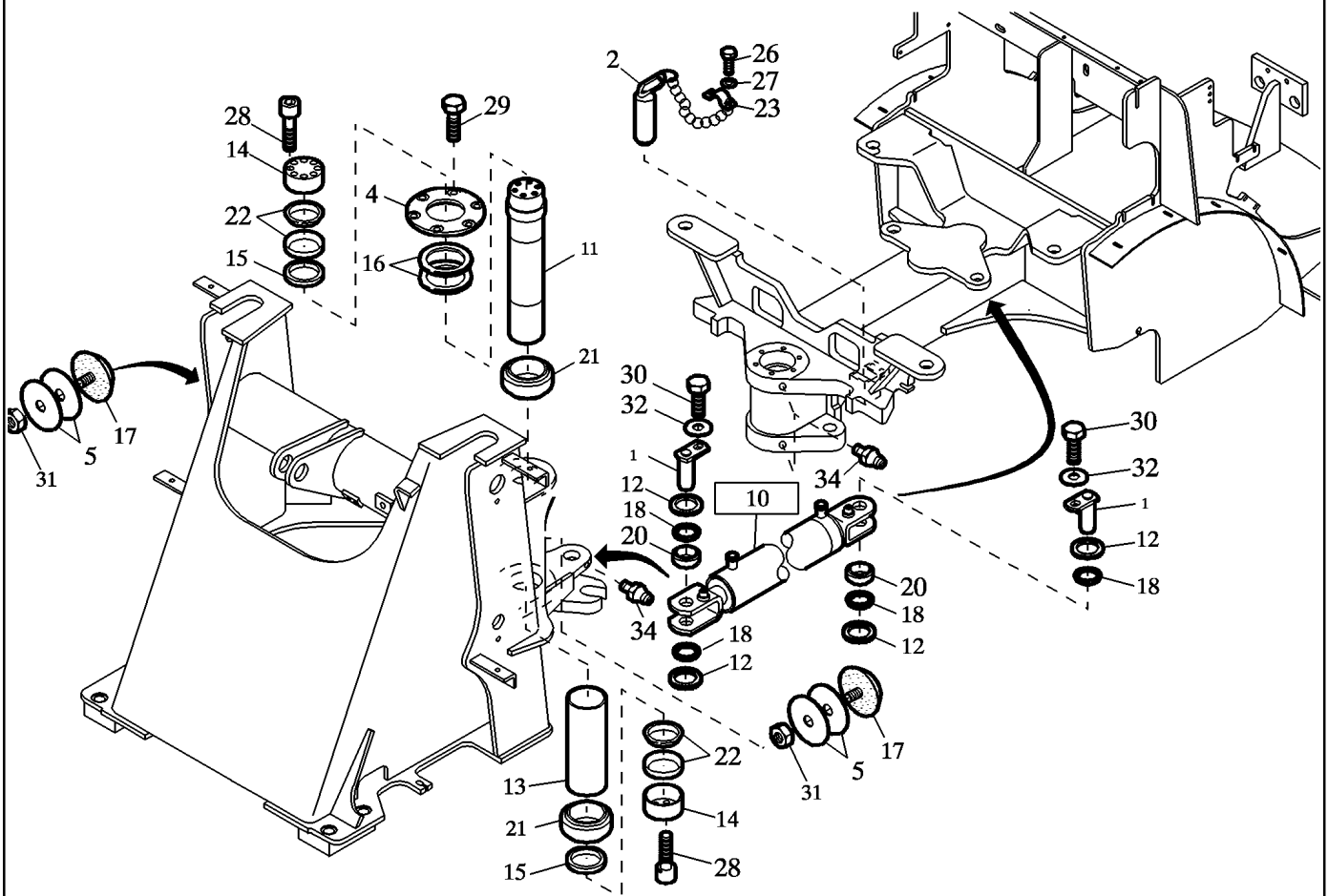
R	N	P.N.	MOD	Q	Description Denominacion	Descrizione Beskrivelse	Bezeichnung Denominação	Description Beschrijving	L.C.
990		{2840041}		AR	FRONT FRAME				

2992646

W80**1**

JOINT PARTS FRAME
PARTI ARTICOLATE TELAIO
GELENKTEILE RAHMEN
ARTICULATIONS CADRE

1



PIEZAS DE ARTICUL. BASTIDOR
RAMME
JOINT PARTS FRAME
JOINT PARTS FRAME

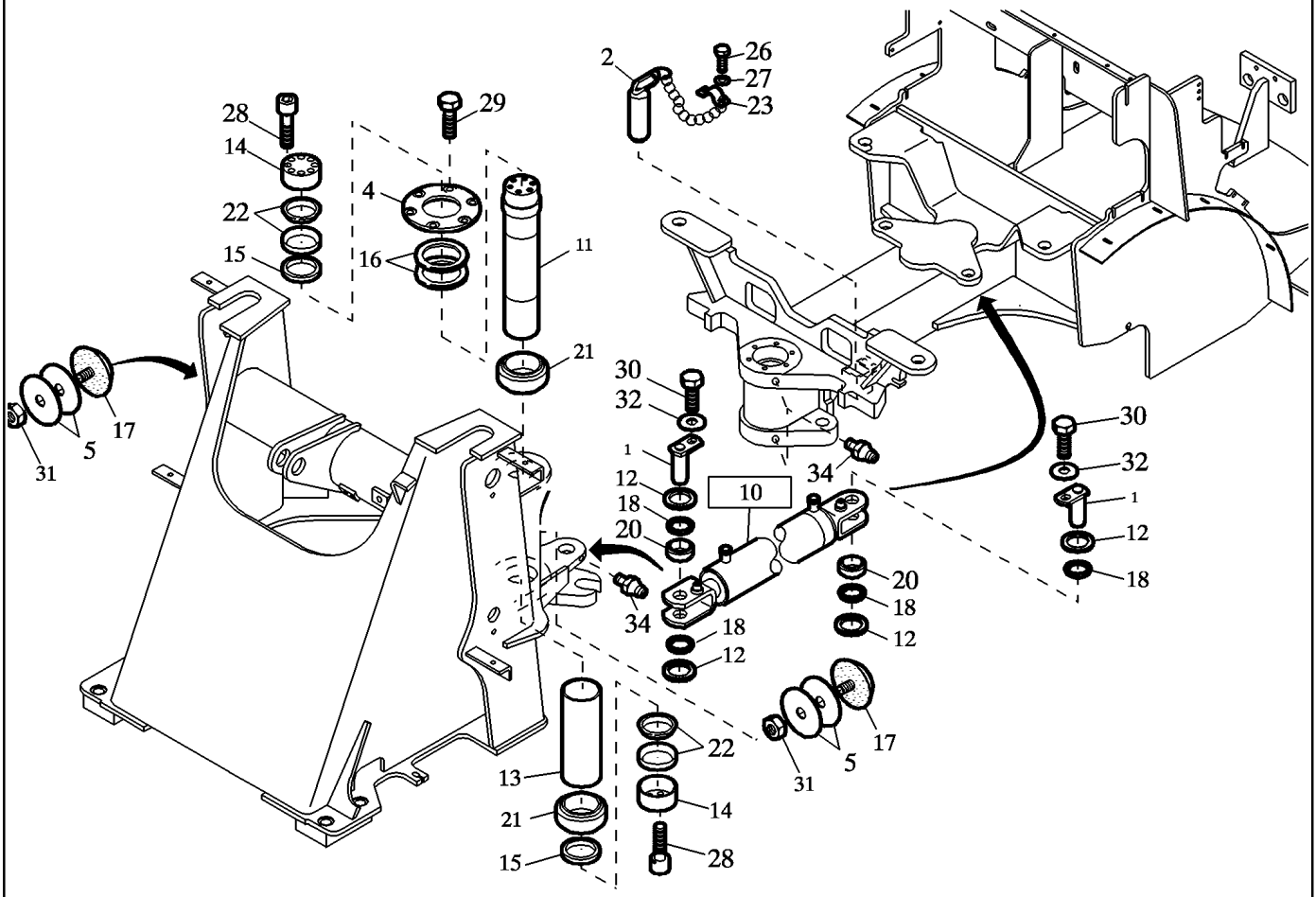
R	N	P.N.	MOD	Q	Description Denominacion	Descrizione Beskrivelse	Bezeichnung Denominação	Description Beschrijving	L.C.
1		512166		4	PIN PERNO	PERNO STIFT	BOLZEN PERNO	AXE PEN	080P
2		4550217		1	PIN PERNO	PERNO STIFT	BOLZEN PERNO	AXE PEN	080P
4		1710003		1	LID TAPA	SPORTELLO LAAG	DECKEL TAMPA	VOLET DEKSEL	205S
5		2212786		4	DISK/WASHER ARANDELA	ROSETTA PIANA FLADSKIVE	UNTERLEGSCHIEBE ANILHA	RONDELLE SLUITRING	131R
10		NS		2	STEERING CYLINDER SEE FIGURE 24.122/2991211000 NO SE REPARA	NON GESTITO NOT SERVICED	KEIN ERSATZTEIL NOT SERVICED	NON FOURNI NIET GESTOCKEERD	061N
11		1710002		1	PIN PASADOR TUBOLAR	SPINA ELASTICA SPLIT	SPANNSTIFT TROCO	GOUPILLE ELASTIQUE SPANSTIFT	200S
12		4552174		8	DISK/WASHER ARANDELA	ROSETTA PIANA FLADSKIVE	UNTERLEGSCHIEBE ANILHA	RONDELLE SLUITRING	131R
13		1710014		1	SLEEVE PERNO	PERNO STIFT	BOLZEN PERNO	AXE PEN	080P
14		1710013		2	LID PERNO	PERNO STIFT	BOLZEN PERNO	AXE PEN	080P
15		1710015		2	RING ANILLO	ANELLO RING	RING ANEL	ANNEAU RING	045A
16		1710004		2	DISK/WASHER ANILLO	ANELLO RING	RING ANEL	ANNEAU RING	045A
17		2929663		2	LIMIT STOP DISPOSITIVO DE TOPE	ARRESTO STOP	STOPPVORRICHTUNG BATENTE	BUTÉE STOOTSTUK	080A
18		750585		8	GASKET JUNTA HERMETICA	GUARNIZIONE PAKNING	DICHTUNG, FLACH JUNTA	JOINT DICHTINGSSTUK	123G
20		2929701		4	JOINT BEARING COJINETE	CUSCINETTO LEJE	LAGER, KOMPLETT ROLAMENTO	ROULEMENT LAGER	341C
21		306270		2	JOINT BEARING COJINETE	CUSCINETTO LEJE	LAGER, KOMPLETT ROLAMENTO	ROULEMENT LAGER	341C
22		215196		4	CLAMPING PIECE BORNE	MORSETTO SPÆNDEBÅND	KLEMME BORNE	BRIDE KLEM	120M
23		2900981		1	CABLE RETAINER RETENADOR DE CABLE	FERMO, CAVO KABELHOLDER	KABELHALTER CABO RETENTOR	RETENEUR DE CABLE RETAINER, CABLE	P738
26		2975136		2	HEXAGON BOLT TORNILLO	BULLONE SKRUE	SCHRAUBE PARAFUSO	BOULON BOUT	140B
27		56982		2	DISK/WASHER ARANDELA	ROSETTA PIANA FLADSKIVE	UNTERLEGSCHIEBE ANILHA	RONDELLE SLUITRING	131R
28		2976722		16	CYL.HEAD SCREW TORNILLO	VITE SKRUE	SCHRAUBE PARAFUSO	VIS SCHROEF	040V
29		9706687		6	Bolt, Hex, M12 x 30, 8.8 TORNILLO	VITE SKRUE	SCHRAUBE PARAFUSO	VIS SCHROEF	040V
30		300383		4	BOLT, Hex, M10 x 16, 8.8, TORNILLO	Full Thd BULLONE SKRUE	SCHRAUBE PARAFUSO	BOULON BOUT	140B
31		100020		2	Nut, M16, Cl 8 TUERCA	DADO MOETRIK	MUTTER PORCA	ECROU MOER	010D

2992646

W80

JOINT PARTS FRAME
PARTI ARTICOLATE TELAIO
GELENKTEILE RAHMEN
ARTICULATIONS CADRE

1



BUY NOW

**Then Instant Download
the Complete Manual
Thank you very much!**