

PARTS CATALOG

Product Line

**CATALOGO PARTI
DI RICAMBIO**

Model E27.2SR

**CATALOGUE DES PIECES
DETACHEES**

ERSATZTEILKATALOG

**CATÁLOGO DES PIEZAS
DE REPUESTO**

**CATÁLOGO DE PEÇAS
SOBRESSALENTES**

ONDERDELENLIJST

RESERVEDELSKATALOG

CATALOGUE n. 604.04.264.01
6th Edition 10 - 2005

 **NEW HOLLAND**

TABLE OF CONTENTS

0 - VERSION	00	IDENTIFICATION AND VERSION LIST
004-18	1	MAINTENANCE PARTS
010-18	1	UPPER FRAME
013-60	1	BRACKET ASSY, SWING (NIBBLER & BREAKER)
016-18	1	COUNTERWEIGHT INSTALLATIONS
020-01	1	ENGINE ASSY
025-01	1	ENGINE INSTALLATIONS
030-01	1	RADIATOR
034-01	1	RADIATOR
043-01	1	AIR CLEANER (W ELEMENT)
046-18	1	MUFFLER
052-01	1	FUEL LINES
059-01	1	FUEL TANK (CANOPY)
060-01	1	FUEL TANK (CAB)
062-60	1	OIL TANK (NIBBLER & BREAKER)
065-01	1	ENGINE ACCELERATOR CONTROLS (WITH DECEL)
065-01	2	ENGINE ACCELERATOR CONTROLS (WITH DECEL)
070-01	1	POWER TAKE OFF ASSY
074-01	1	SWING HYDRAULIC MOTOR
077-01	1	LUBRICATION LINES
080-01	1	CONTROL VALVE
092-01	1	PUMP/CONTROL VALVE PIPING
100-01	1	PUMP/CONTROL VALVE PIPING
100-01	2	PUMP/CONTROL VALVE PIPING
102-60	1	PUMP/CONTROL VALVE PIPING (NIBBLER & BREAKER)
110-01	1	PUMP/CONTROL VALVE PIPING
120-01	1	CONTROLS OPERATOR
122-27	1	CONTROLS
124-01	1	CONTROLS
128-01	1	CONTROLS (LEFT HAND)
135-01	1	CONTROLS (CANOPY)
137-01	1	CONTROLS (CAB)
138-18	1	CONTROLS
140-60	1	CONTROL LINES (NIBBLER & BREAKER)
140-60	2	CONTROL LINES (NIBBLER & BREAKER)
140-60	3	CONTROL LINES (NIBBLER & BREAKER)
150-72	1	CONTROL LINES (DOZER)
160-18	1	CONTROL LINES
160-18	2	CONTROL LINES
160-60	1	CONTROL LINES (NIBBLER & BREAKER)
170-60	1	FLOOR-CAB (CANOPY - NIBBLER & BREAKER)
172-60	1	FLOOR-CAB (CAB - NIBBLER & BREAKER)
176-18	1	CAB
177-26	1	CAB
180-01	1	CAB - COMPONENTS
180-01	2	CAB - COMPONENTS
180-01	3	CAB - COMPONENTS
180-01	4	CAB - COMPONENTS
180-01	5	CAB - COMPONENTS
190-01	1	CAB - COMPONENTS
194-01	1	CAB - COMPONENTS
200-18A	1	CANOPY
202-26	1	CANOPY
204-18	1	CANOPY (CANOPY)
214-01	1	ELECTRIC SYSTEM - LIGHT ASSY (CAB)

TABLE OF CONTENTS

215-01	1	ELECTRIC SYSTEM - LIGHT ASSY
216-01	1	ELECTRIC SYSTEM - LIGHT ASSY
220-18	1	OPERATOR'S SEAT
222-18	1	OPERATOR'S SEAT (CAB)
223-18	1	OPERATOR'S SEAT (CANOPY)
224-18	1	OPERATOR'S SEAT (CAB)
225-18	1	OPERATOR'S SEAT - COMPONENTS (CANOPY)
240-01	1	HOODS (CANOPY)
240-01	2	HOODS (CANOPY)
240-01	3	HOODS (CANOPY)
240-01	4	HOODS (CANOPY)
242-01	1	HOODS (CAB)
242-01	2	HOODS (CAB)
242-01	3	HOODS (CAB)
242-01	4	HOODS (CAB)
263-18	1	CONTROLS
265-01	1	ELECTRIC SYSTEM - PANEL INSTRUMENTS
280-01	1	ELECTRIC SYSTEM - BATTERY
312-01	1	ELECTRIC SYSTEM - HARNESS UPPER FRAME
312-01A	1	ELECTRIC SYSTEM - HARNESS UPPER FRAME
314-01A	1	ELECTRIC SYSTEM - HARNESS CAB
325-01	1	ELECTRIC SYSTEM - ENGINE HARNESS
327-01A	1	RELAY ASSY
327-01B	1	RELAY ASSY
330-01	1	LOWER FRAME
340-01	1	LOWER FRAME
346-01	1	IDLER ADJUSTER
356-01	1	IDLER ADJUSTER
360-01	1	IDLER ADJUSTER - IDLER REGULATION
366-01	1	TRACK ROLLER
370-01	2	MOTOR ASSY, PROPELLING
374-01	1	TRACK ROLLER
380-01	1	STEEL TRACK ROLLER ASSY
390-01	1	RUBBER SHOE ASSY
400-01	1	SWIVEL JOINT HYD.LINES
420-01	1	DOZER
450-01	1	MONOBLOC BOOM (2.15M)
500-01	1	BOOM PIPING (2.15M)
500-60	1	BOOM PIPING 2.15M (NIBBLER & BREAKER)
550-01	1	BOOM PIPING (CANOPY)
552-01	1	DIPPER STICK CYLINDER (CAB)
580-01	1	DIPPER STICK STD (1.12M)
610-01	1	ARM HYD.LINES (1.12M)
670-01	1	BUCKET INSTALLATION
674-01	1-01	BUCKET
676-18	1	TOOLS KIT
703-19	1	COUNTERWEIGHT INSTALLATION
727-60	1	CONTROL LINES, PROPEL (NIBBLER & BREAKER + TRAVEL ALARM)
756-01	1	RADIO
784-18	1	CONDITIONING (WITH HEATER)
788-18	1	CONDITIONING (WITHOUT HEATER)
810-01	1	ALARM ASSY (TRAVEL ALARM)
830-01	1	DOZER
866-01	1	DIPPER STICK (1.37M)
876-01	1	ARM HYD.LINES (1.12M)

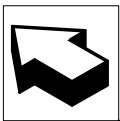
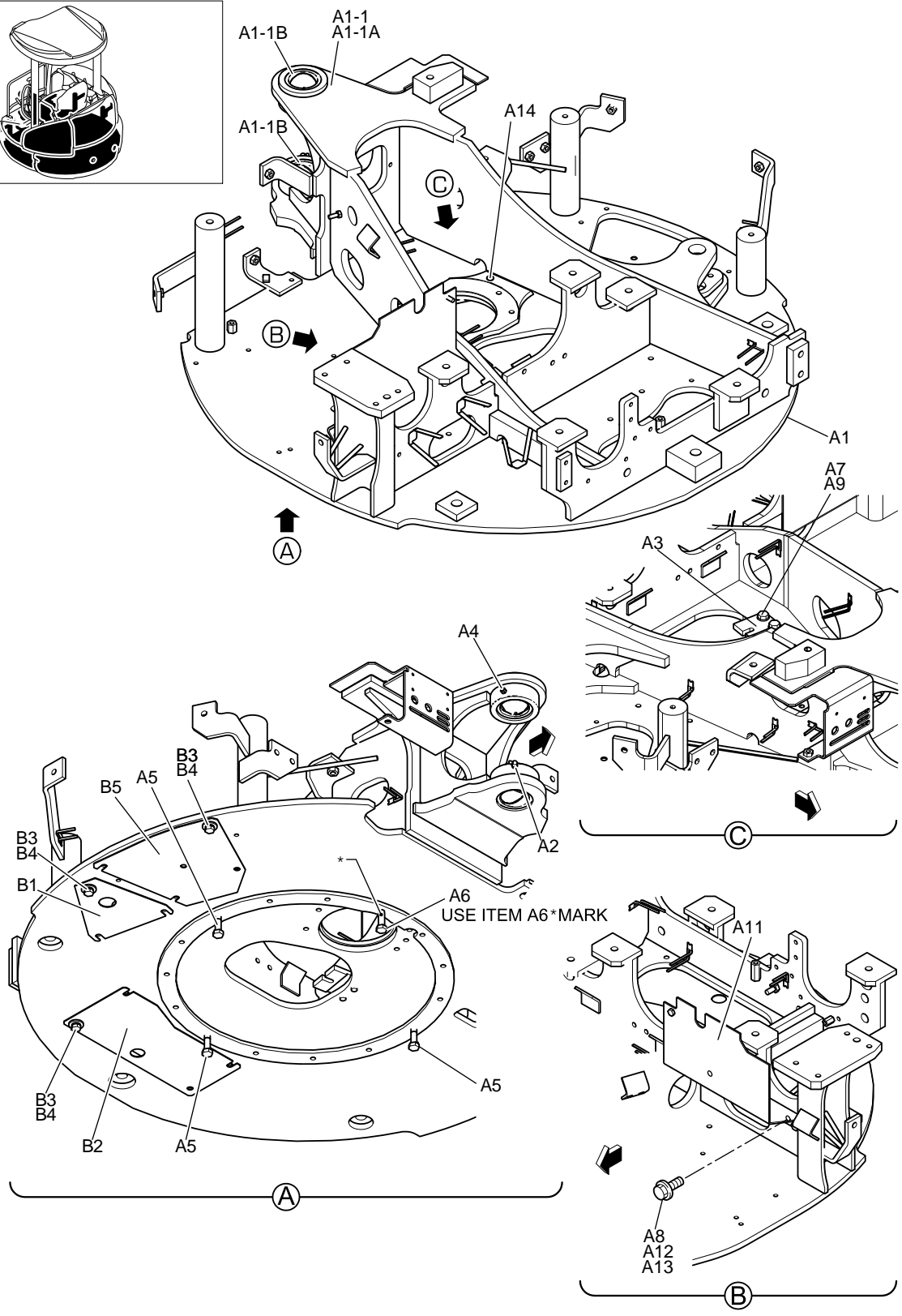
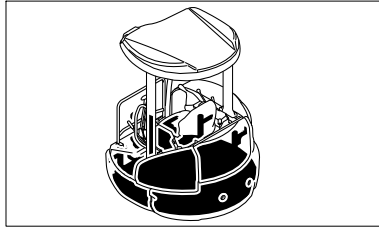
TABLE OF CONTENTS

876-60	1	BOOM PIPING 2.15M (NIBBLER & BREAKER)
950-18	1	DECALS - CANOPY
950-18	2	DECALS - CANOPY
952-18	1	DECALS
955-18	1	DECALS
957-18	1	DECALS - CANOPY
960-19	1	DECALS - CANOPY
963-19	1	DECALS
965-18	1	DECALS - CANOPY (CAB)
967-27	1	DECAL (CAB)
968-27	1	DECAL
985-19	1	DECALS (ISO)
986-16	1	DECAL
986-18	1	DECALS
987-27	1	DECAL (ATTACHMENT)
HC001-01	1	HYDRAULIC CONTROL VALVE - COMPONENTS
HC002-01	1	HYDRAULIC CONTROL VALVE - COMPONENTS (DOZER)
HC003-01	1	HYDRAULIC CONTROL VALVE - COMPONENTS (SLEWING)
HC004-01	1	HYDRAULIC CONTROL VALVE - COMPONENTS (SUPPLY & STRAIGHT TRAVEL)
HC005-01	1	HYDRAULIC CONTROL VALVE - COMPONENTS (ARM)
HC006-01	1	HYDRAULIC CONTROL VALVE - COMPONENTS (SERVICE)
HC007-01	1	HYDRAULIC CONTROL VALVE - COMPONENTS - RELIEF VALVE (BOOM SWING)
HC008-01	1	HYDRAULIC CONTROL VALVE - COMPONENTS - RELIEF VALVE (TRAVEL R.H)
HC009-01	1	HYDRAULIC CONTROL VALVE - COMPONENTS (SUPPLY)
HC010-01	1	HYDRAULIC CONTROL VALVE - COMPONENTS (TRAVEL L.H)
HC011-01	1	HYDRAULIC CONTROL VALVE - COMPONENTS (BOOM)
HC012-01	1	HYDRAULIC CONTROL VALVE - COMPONENTS (BOOM LOCK)
HC013-01	1	HYDRAULIC CONTROL VALVE - COMPONENTS (BUCKET)
HC019-01	1	HYDRAULIC CONTROL VALVE - COMPONENTS
HC021-01	1	HYDRAULIC CONTROL VALVE - COMPONENTS
HC023-01	1	HYDRAULIC CONTROL VALVE - COMPONENTS
HC025-01	1	HYDRAULIC CONTROL VALVE - COMPONENTS
HC028-01	1	HYDRAULIC CONTROL VALVE - COMPONENTS
HC300-01	1	SLEW MOTOR
HC315-01	1	SLEW MOTOR - COMPONENTS
HC370-01	1	MOTOR ASSY, PROPELLING
HC400-01	1	HYDRAULIC PUMP - COMPONENTS
HC401-01	1	HYDRAULIC PUMP - COMPONENTS
HC402-01	1	HYDRAULIC PUMP - COMPONENTS
HC403-01	1	HYDRAULIC PUMP - COMPONENTS
HC404-01	1	HYDRAULIC PUMP - COMPONENTS
HC407-01	1	HYDRAULIC PUMP - COMPONENTS
HC408-01	1	HYDRAULIC PUMP - COMPONENTS
HC600-01	1	LIFT CYLINDER (CANOPY)
HC630-01	1	LIFT CYLINDER (CAB)
HC650-01	1	ARM CYLINDER
HC700-01	1	CYLINDER BUCKET
HC750-01	1	DOZER CILINDER
HC770-01	1	CYLINDER ASSY, SWING
HC800-01	1	PILOT VALVE - COMPONENTS
HC820-01	1	PILOT VALVE - COMPONENTS (PROPELLING - DOZER)
HC825-01	1	PILOT VALVE - COMPONENTS (PROPELLING)
HC850-01	1	SOLENOID VALVE
HC851-01	1	SOLENOID VALVE
HC881-01	1	SOLENOID VALVE

TABLE OF CONTENTS

HC930-01	1	JOINT ASSY, SWIVEL
ENGINE-01	01	CYLINDER HEAD
ENGINE-02	1	CRANKCASE COVERS
ENGINE-03	01	FLYWHEEL HOUSING & OIL SUMP
ENGINE-04	1	CYLINDER HEAD & BONNET
ENGINE-05	01	INTAKE MANIFOLD
ENGINE-06	1	EXHAUST MANIFOLD
ENGINE-07	1	CRANKSHAFT & DRIVING GEAR
ENGINE-08	1	CRANKSHAFT & PISTON
ENGINE-09	1	ENGINE OIL
ENGINE-10	1	ENGINE COOLING SYSTEM
ENGINE-11	1	FUEL INJECTION PUMP
ENGINE-12	1	FUEL INJECTION PUMP
ENGINE-13	1	FUEL LINE
ENGINE-14	1	STARTER MOTOR
ENGINE-15	1	CURRENT GENERATOR
ENGINE-16	1	GASKET SET

UPPER FRAME
TELAIO SUPERIORE
CHASSIS SUPERIEUR
RAHMENOBEN

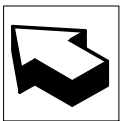
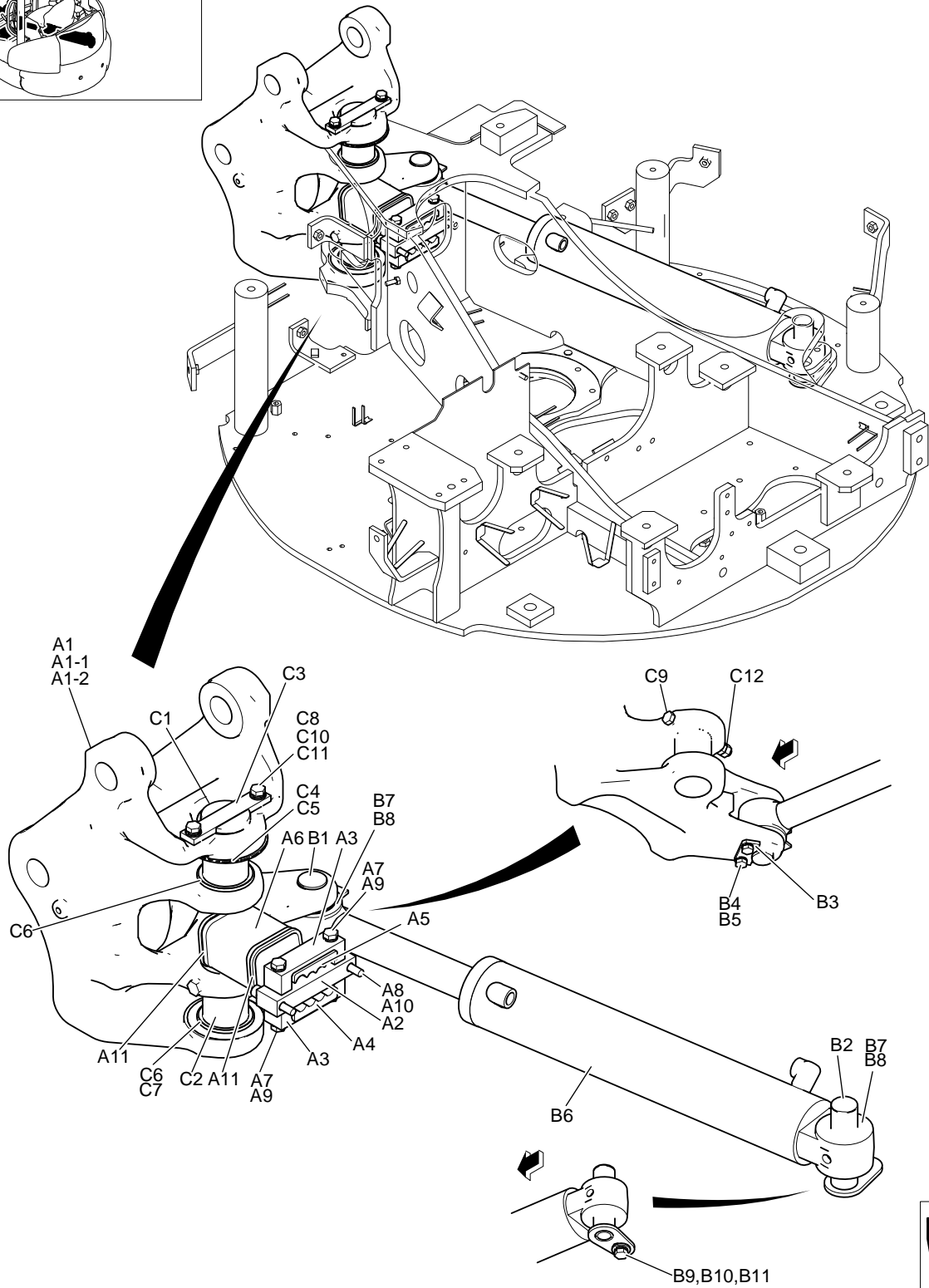
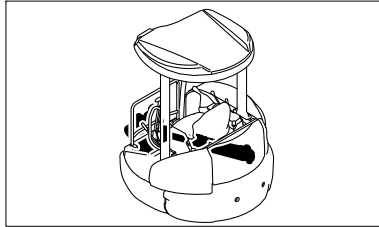


CHASIS SUPERIOR

R	N	P.N.	MOD	Q	Description Denominacion	Descrizione Denominação	Description Beschrijving	Bezeichnung Beskrivelse	L.C.
-		{72285866}		1	- ASSY				
A1/A14		{72285867}		1					
A1		{72285868}		1					
A1-1		72281409		1	BRACKET PIEZA DE SOPORTE	STAFFA BRACADEIRA	PATTE FIXATION STEUNBEUGEL	HALTERUNG BESLAG	225S
A1-1A		72281410		1	BRACKET PIEZA DE SOPORTE	STAFFA BRACADEIRA	PATTE FIXATION STEUNBEUGEL	HALTERUNG BESLAG	225S
A1-1B		72281411		2	BUSHING CASQUILLO	BOCCOLA CASQUILHO	BAGUE LAGERBUS	BUECHSE BOESNING	095B
A2		72283072		1	NIPPLE, LUBE ENGRASADOR	INGRASSATORE LUBRIFICADOR	GRAISSEUR SMEERNIPPEL	SCHMIERNIPPEL SMOERENIPPEL	060I
A3		{72285869}		1					
A4		72283478		1	NIPPLE, LUBE ENGRASADOR	INGRASSATORE LUBRIFICADOR	GRAISSEUR SMEERNIPPEL	SCHMIERNIPPEL SMOERENIPPEL	060I
A5		72951707		14	SCREW TORNILLO	VITE PARAFUSO	VIS SCHROEF	SCHRAUBE SKRUE	040V
A6		72280483		1	SCREW TORNILLO	VITE PARAFUSO	VIS SCHROEF	SCHRAUBE SKRUE	040V
A7		72951702		2	SCREW TORNILLO	VITE PARAFUSO	VIS SCHROEF	SCHRAUBE SKRUE	040V
A8		47045383		2	SCREW TORNILLO	VITE PARAFUSO	VIS SCHROEF	SCHRAUBE SKRUE	040V
A9		72951754		2	WASHER ARANDELA	ROSETTA PIANA ANILHA	RONDELLE SLUITRING	BEILAGSCHEIBE FLADSKIVE	131R
A11		72281412		1	PLATE PLACA	PIASTRA CHAPA	PLAQUE PLAAT	PLATTE PLADE	105P
A12		72951762		2	WASHER, LOCK ARANDELA DE FRENO	ROSETTA DI SICUREZZA ANILHA DE FIXACAO	RONDELLE FREIN VEERRING	SPRENGRING LAASESKIVE	132R
A13		72951753		2	WASHER ARANDELA	ROSETTA PIANA ANILHA	RONDELLE SLUITRING	BEILAGSCHEIBE FLADSKIVE	131R
A14		72211268		2	CAP TAPON DEL DEPOSITO	TAPPO SERBATOIO TAMPAO DE RESERVAT	CHAPEAU RESERVOIRDOP	KAPPE TANKDAEKSEL	052T
B1/B5		{72285870}		1					
B1		72285871		1	COVER TAPADERA	COPERCHIO COBERTA	COUVERCLE DEKSEL	DECKEL DÆKSEL	265C
B2		72285872		1	COVER TAPADERA	COPERCHIO COBERTA	COUVERCLE DEKSEL	DECKEL DÆKSEL	265C
B3		72280489		11	SCREW TORNILLO	VITE PARAFUSO	VIS SCHROEF	SCHRAUBE SKRUE	040V
B4		72201224		11	WASHER ARANDELA	ROSETTA PIANA ANILHA	RONDELLE SLUITRING	BEILAGSCHEIBE FLADSKIVE	131R
B5		72285873		1	COVER TAPADERA	COPERCHIO COBERTA	COUVERCLE DEKSEL	DECKEL DÆKSEL	265C

E27.2SR

BRACKET ASSY, SWING (NIBBLER & BREAKER)
BRACCIO ROTAZIONE COMPLETO (NIBBLER & BREAKER)
BALANCIER COMPLET (NIBBLER & BREAKER)
SCHWINGARM (NIBBLER & BREAKER)



BRAZO ROTACION COMPLETO (NIBBLER & BREAKER)

R	N	P.N.	MOD	Q	Description Denominacion	Descrizione Denominação	Description Beschrijving	Bezeichnung Beskrivelse	L.C.
-		{72285874}		1					
A1/A11		{72285875}		1					
A1		72285876		1	PIVOT PIVOTE	ARTICOLAZIONE PIVOTE	PIVOT DRAAIPUNT	WELLENZAPFEN TAP	093A
A1-1		72285877		1	BRACKET PIEZA DE SOPORTE	STAFFA BRACADEIRA	PATTE FIXATION STEUNBEUGEL	HALTERUNG BESLAG	225S
A1-2	1, 2	72281421		1	BUSHING CASQUILLO	BOCCOLA CASQUILHO	BAGUE LAGERBUS	BUECHSE BOESNING	095B
A1-2	3	{87361035}		1					
A2		72280496		1	BRACKET PIEZA DE SOPORTE	STAFFA BRACADEIRA	PATTE FIXATION STEUNBEUGEL	HALTERUNG BESLAG	225S
A3		72280497		2	CLAMP BORNE	MORSETTO BORNE	BRIDE KLEM	KLEMME SP/ENDEBÅND	120M
A4		72280498		1	RUBBER BAND CINTA DE CAUCHO	NASTRO DI GOMMA CINTA DE BORRACHA	RUBAN -BANDE CAOUTC RUBBEREN BAND	GUMMIBAND GUMMIBAAND	021N
A5		72280499		1	RUBBER BAND CINTA DE CAUCHO	NASTRO DI GOMMA CINTA DE BORRACHA	RUBAN -BANDE CAOUTC RUBBEREN BAND	GUMMIBAND GUMMIBAAND	021N
A6		72280509		1	GROMMET PASACABLES	ANELLO PASSACAVO CASQUILHO ISOLADOR	PASSE-FIL KABELDOORGANG	TÜLLE RING	131A
A7		72951695		4	SCREW TORNILLO	VITE PARAFUSO	VIS SCHROEF	SCHRAUBE SKRUE	040V
A8		72955464		2	SCREW TORNILLO	VITE PARAFUSO	VIS SCHROEF	SCHRAUBE SKRUE	040V
A9		72951762		4	WASHER, LOCK ARANDELA DE FRENO	ROSETTA DI SICUREZZA/ ANILHA DE FIXACAO	RONDELLE FREIN VEERRING	SPRENGRING LAESKIVE	132R
A10		12581679		2	WASHER ARANDELA	ROSETTA PIANA ANILHA	RONDELLE SLUITRING	BEILAGSCHEIBE FLADSKIVE	131R
A11		72951499		2	CLIP SUJETADOR	FERMAGLIO FIXADOR	CLIP KLEM	KLAMMER KLIPS	045F
B1/B11		{72285878}		1					
B1	1, 2	{72285879}		1					
B1	3	{87361039}		1					
B2		{72285880}		1					
B3		{72285881}		1					
B4		47045383		2	SCREW TORNILLO	VITE PARAFUSO	VIS SCHROEF	SCHRAUBE SKRUE	040V
B5		72951762		2	WASHER, LOCK ARANDELA DE FRENO	ROSETTA DI SICUREZZA/ ANILHA DE FIXACAO	RONDELLE FREIN VEERRING	SPRENGRING LAESKIVE	132R

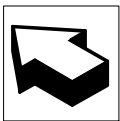
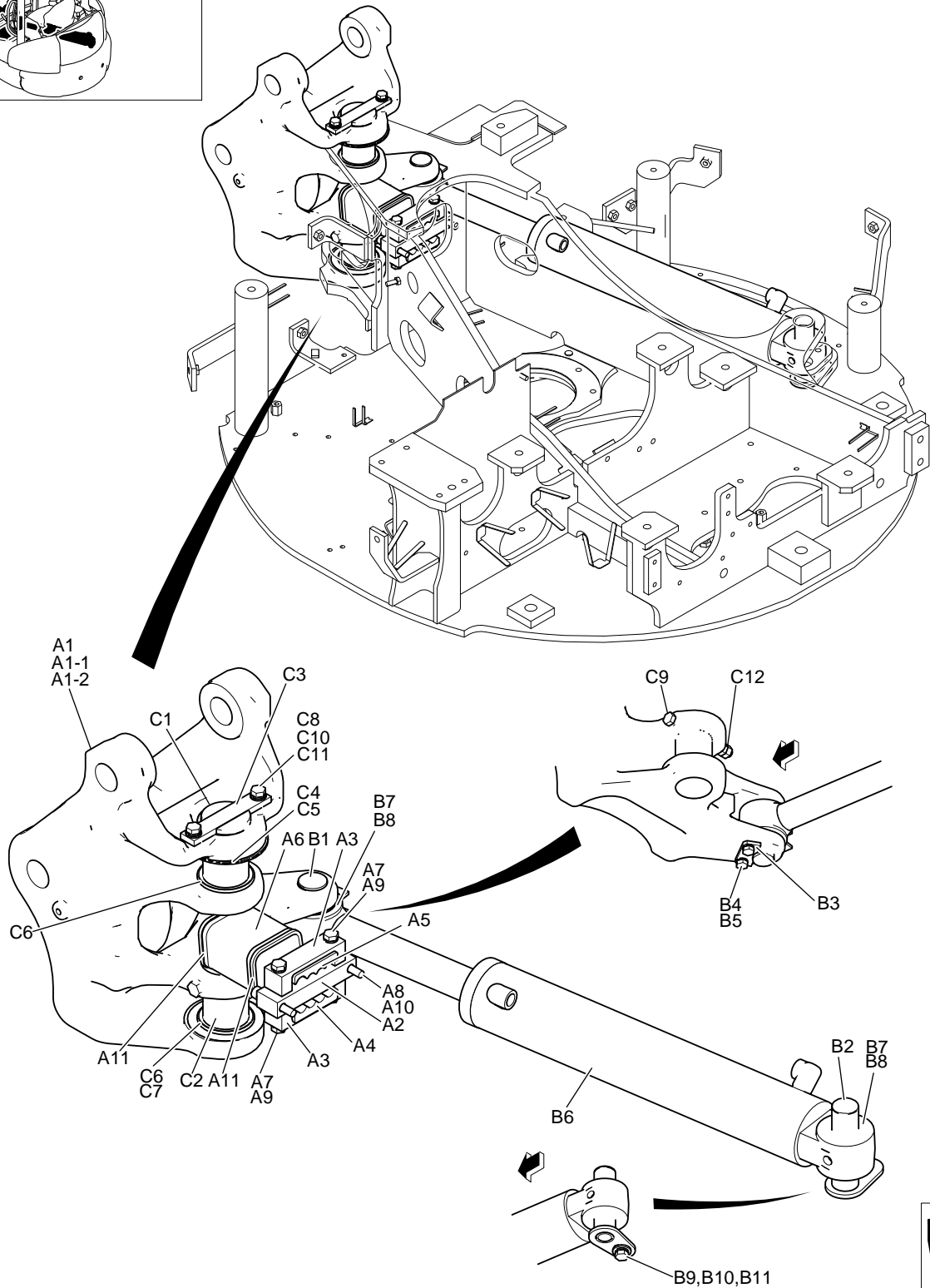
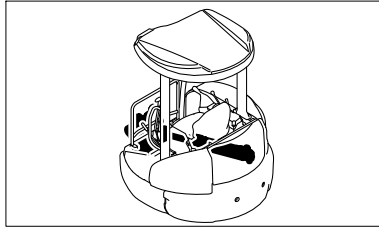
(1) UP TO S/N PV10-27750

(2) FROM S/N PV10-27001

(3) FROM S/N PV10-27751

E27.2SR

BRACKET ASSY, SWING (NIBBLER & BREAKER)
BRACCIO ROTAZIONE COMPLETO (NIBBLER & BREAKER)
BALANCIER COMPLET (NIBBLER & BREAKER)
SCHWINGARM (NIBBLER & BREAKER)



BUY NOW

**Then Instant Download
the Complete Manual
Thank you very much!**