

PARTS CATALOG

Product Line

**CATALOGO PARTI
DI RICAMBIO**

Model LB115.B

**CATALOGUE DES PIECES
DETACHEES**

ERSATZTEILKATALOG

**CATÁLOGO DES PIEZAS
DE REPUESTO**

**CATÁLOGO DE PEÇAS
SOBRESSALENTES**

ONDERDELENLIJST

RESERVEDELSKATALOG

CATALOGUE n. 604.04.316.01
2nd Edition 09 - 2006

 **NEW HOLLAND**

TABLE OF CONTENTS

MAIN	00	SECTIONS
MPARTS	00	MAINTENANCE PARTS
SEC. 01	00	ENGINE 1/2
SEC. 01	01	ENGINE 2/2
0.021/ 2	01	ENGINE
0.040	01	CYLINDER BLOCK
0.040	02	CYLINDER BLOCK
0.042/ 1	01	OIL PUMP, PAN
0.043	01	CYLINDER BLOCK - COVERS
0.043	02	CYLINDER BLOCK - COVERS
0.043	03	CYLINDER BLOCK - COVERS
0.045	01	BREATHER - ENGINE
0.060	01	CYLINDER HEAD
0.063	01	CYLINDER HEAD - COVERS
0.066	01	CYLINDER HEAD - VALVE MECHANISM
0.071/ 1	01	MANIFOLD - INTAKE
0.077/ 1	01	MANIFOLD - EXHAUST
0.080	01	CRANKSHAFT
0.081	01	PISTONS - CONNECTING ROD
0.082	01	PISTONS - CONNECTING ROD
0.083	01	FLYWHEEL - ENGINE
0.084	01	PULLEY - CRANKSHAFT
0.105	01	DYNAMIC BALANCER, GEARS & SHAFTS
0.105	02	DYNAMIC BALANCER, GEARS & SHAFTS (2831300)
0.120	01	CAMSHAFT
0.140/ 1	01	FUEL INJECTION PUMP
0.140/ 1	02	FUEL INJECTION SYSTEM
0.142	01	FUEL INJECTION SYSTEM
0.149	01	FUEL INJECTION SYSTEM
0.200	01	FUEL FILTER
0.201	01	FUEL PUMP
0.203	01	FUEL INJECTION SYSTEM
0.204	01	FUEL INJECTION SYSTEM
0.240/ 1	01	TURBOCHARGER
0.270	01	ENGINE, OIL
0.270/A	01	ENGINE, OIL
0.300	01	OIL PUMP - ENGINE
0.302	01	OIL FILTERS - ENGINE
0.305	01	PIPING - ENGINE OIL
0.315	01	OIL FILTER AND COOLER
0.320	01	WATER PUMP
0.323	01	COOLING SYSTEM - ENGINE
0.326	01	THERMOSTAT - ENGINE COOLING SYSTEM
0.340	01	WATER PUMP - CONTROL
0.340/A	01	WATER PUMP - CONTROL
0.345	01	FAN DRIVE
0.345/A	01	FAN DRIVE
0.350	01	POWER TAKE-OFF
0.360	01	STARTER MOTOR
0.400	01	ALTERNATOR
0.450	01	ENGINE - LIFT HOOK
636A	01	ACCESSORY ENGINE
636A	04	ACCESSORY ENGINE- ALTERNATOR
636A	05	ACCESSORY ENGINE - BRACKET MUFFLER
636A	06	ACCESSORY ENGINE - STARTER

TABLE OF CONTENTS

638A	01	ACCESSORY ENGINE
638A	02	ACCESSORY ENGINE - VENTILATOR
638A	03	ACCESSORY ENGINE - STARTER
638A	04	ACCESSORY ENGINE- ALTERNATOR
638A	05	ACCESSORY ENGINE - BRACKET MUFFLER
639A	01	ACCESSORY ENGINE
639A	02	ACCESSORY ENGINE - VENTILATOR
639A	03	ACCESSORY ENGINE - STARTER
639A	04	ACCESSORY ENGINE- ALTERNATOR
SEC. 02	00	FUEL TANK - MUFFLER - RADIATOR - AIR CLEANER - CHASSIS
1.14.0	01	FUEL TANK & RELATED PARTS
1.15.0	01	MUFFLER & EXTENSIONS
1.15.0	02	MUFFLER & EXTENSIONS
1.17.2	01	EXPANSION TANK
1.19.1	01	AIR CLEANER & HOSES
1.21.5/ 2	01	FRAME (CENTER PIVOT)
1.21.5/ 4	01	FRAME (SIDE SHIFT)
175	01	AIR INTAKE CAP & PRE-CLEANER
176	01	AIR INTAKE CAP & PRE-CLEANER
202	01	FRONT WEIGHTS
207	01	REAR WEIGHT (CENTER PIVOT)
638	01	RADIATOR
638	02	RADIATOR
639	01	RADIATOR
639	02	RADIATOR
639	03	RADIATOR
SEC. 03	00	TRANSMISSION 1/2
SEC. 03	01	TRANSMISSION 2/2
1.28.0	01	GEARING SPEED GEAR
1.28.0/ C	01	TRANSMISSIONGEARING SPEED GEAR (4WD POWER-SHIFT)
1.28.0/ C	02	TRANSMISSIONGEARING SPEED GEAR (4WD POWER-SHIFT)
1.28.0/ C	03	TRANSMISSIONGEARING SPEED GEAR (4WD POWER-SHIFT)
1.28.0/ C	04	TRANSMISSIONGEARING SPEED GEAR (4WD POWER-SHIFT)
1.28.0/ C	05	TRANSMISSIONGEARING SPEED GEAR (4WD POWER-SHIFT)
1.28.0/ C	06	TRANSMISSIONGEARING SPEED GEAR (4WD POWER-SHIFT)
1.28.0/ C	07	TRANSMISSIONGEARING SPEED GEAR (4WD POWER-SHIFT)
1.28.0/ C	08	TRANSMISSIONGEARING SPEED GEAR (4WD POWER-SHIFT)
1.28.0/ C	09	TRANSMISSIONGEARING SPEED GEAR (4WD POWER-SHIFT)
1.28.0/ C	10	TRANSMISSIONGEARING SPEED GEAR (4WD POWER-SHIFT)
1.28.0/ C	11A	TRANSMISSION (4WD, 4WS, POWER-SHIFT)
1.28.0/ C	12	TRANSMISSIONGEARING SPEED GEAR (4WD POWER-SHIFT)
1.28.0/ C	13A	TRANSMISSION (4WD, 4WS POWER-SHIFT)
1.28.0/ C	14A	TRANSMISSION (4WD, 4WS POWER-SHIFT)
1.28.0/ C	15	TRANSMISSIONGEARING SPEED GEAR (4WD POWER-SHIFT)
1.28.0/ C	16	TRANSMISSIONGEARING SPEED GEAR (4WD POWER-SHIFT)
1.28.6	01	GEAR FILTER PIPES (POWER-SHUTTLE)
1.28.6/ 1	01	GEAR FILTER PIPES (POWER-SHIFT)
1.38.1	01	FRONT & REAR DRIVESHAFT (POWER-SHUTTLE)
1.38.1/ 1	01	FRONT & REAR DRIVESHAFT (POWER-SHIFT)
1.39.8	01	TRANSMISSION OIL COOLING PIPES (POWER-SHUTTLE)
1.39.8/ 1	01	TRANSMISSION OIL COOLING PIPES (POWER-SHIFT)
SEC. 04	00	FRONT AXLE
400	01	FRONT AXLE (4WS) - BOX
400	02	FRONT AXLE (4WS) - BOX
400	03	FRONT AXLE (4WS) - STEERING AXLES

TABLE OF CONTENTS

400	04	FRONT AXLE (4WS) - BEVEL GEAR PAIR
400	05	FRONT AXLE (4WS) - BEVEL GEAR PAIR
400	06	FRONT AXLE (4WS) - DIFFERENTIAL LOCKING
400	06A	SELF-LOCKING FRONT AXLE: DIFFERENTIAL AUTOMATIC LOCKING 4WS
400	07	FRONT AXLE (4WS) - AXLE-SHAFT ARTICULATED
400	08	FRONT AXLE (4WS) - HUBS
400	09	FRONT AXLE (4WS) - HUBS
SEC. 05	00	REAR AXLE
400A	01	REAR AXLE, RH & CENTER HOUSING
400A	02	REAR AXLE, LH HOUSING & BUSHINGS
400A	03	REAR AXLE, RH SWIVEL HOUSING, STEERING CYLINDER & SENSOR
400A	04	REAR AXLE, LH SWIVEL HOUSING
400A	05	REAR AXLE, RING GEAR & PINION ASSEMBLY
400A	06	REAR AXLE, PINION SHIMS
400A	07	REAR AXLE, DIFFERENTIAL (STANDARD)
400A	08	SELF-LOCKING REAR AXLE, DIFFERENTIAL (SELF LOCKING)
400A	09	REAR AXLE, BRAKES
400A	10	REAR AXLE, WHEEL CARRIER & HUB
400A	11	REAR AXLE, PLANETARY GEARS & COVER
400A	12	REAR AXLE, DIFFERENTIAL
SEC. 06	00	ELECTRICAL
1.75.2	01	CHASSIS HARNESS & GROUND WIRE (POWER SHUTTLE)
1.75.2	02	CHASSIS HARNESS & GROUND WIRE (POWER SHUTTLE)
1.75.2	03	BATTERY LOCK-OUT SWITCH & GROUND WIRE (POWER SHUTTLE)
1.75.2	04	ENGINE HARNESS (POWER SHUTTLE)
1.75.2/ 2	01	CHASSIS HARNESS & GROUND WIRE (POWER SHIFT)
1.75.2/ 2	02	CHASSIS HARNESS & GROUND WIRE (POWER SHIFT)
1.75.2/ 2	03	BATTERY LOCK-OUT SWITCH & GROUND WIRE (POWER SHIFT)
1.75.2/ 2	04	ENGINE HARNESS (POWER SHIFT)
1.75.2/ 5	01	CHASSIS HARNESS & GROUND WIRE (POWER SHIFT)
1.75.2/ 5	02	BATTERY LOCK-OUT SWITCH & GROUND WIRE (POWER SHIFT)
1.75.2/ 5	03	ENGINE HARNESS (POWER SHIFT)
131	01	SINGLE BATTERY
321	01	DOUBLE BATTERY
995	01	COLD START
995	02	COLD START
SEC. 07	00	SLIDES VALVES
1.82.0	01	HYDRAULIC OIL RESERVOIR
1.82.3/ 1	01	HYDRAULIC PUMP (40+35-165L/MM)
1.82.3/ 2	01	HYDRAULIC PUMP (40+35-165L/MM)
1.82.6	01	HYDRAULIC SYSTEM PIPING
1.82.6	02	HYDRAULIC SYSTEM PIPING
1.82.6	03	HYDRAULIC SYSTEM PIPING
1.82.6	04	HYDRAULIC SYSTEM PIPING
1.82.6	05	HYDRAULIC SYSTEM PIPING
1.82.6	06	HYDRAULIC SYSTEM PIPING
1.82.6	07A	HYDRAULIC SYSTEM PIPING
1.82.6	08B	HYDRAULIC SYSTEM PIPING
1.82.6	09C	HYDRAULIC SYSTEM PIPING
1.82.6	09D	HYDRAULIC SYSTEM PIPING
1.82.6	11	HYDRAULIC SYSTEM PIPING(SIDE SHIFT)
1.82.6	11B	HYDRAULIC SYSTEM PIPING
1.82.6	12	HYDRAULIC SYSTEM PIPING
1.82.6	13	HYDRAULIC SYSTEM PIPING(SIDE SHIFT)
1.82.6	13A	ROTATION PLATE HOSE CLAMPS

TABLE OF CONTENTS

1.82.6	14	HYDRAULIC SYSTEM PIPING
1.82.6	15	HYDRAULIC SYSTEM PIPING
300	01	BACKHOE CONTROL VALVE, 6 SECTIONS (CENTER PIVOT)
300	02	BACKHOE CONTROL VALVE, INLET SECTION
300	03	BACKHOE CONTROL VALVE, BOOM SECTION
300	04	BACKHOE CONTROL VALVE, SWING SECTION
300	05	BACKHOE CONTROL VALVE, BUCKET SECTION
300	06	BACKHOE CONTROL VALVE, DIPPERSTICK SECTION
300	07	BACKHOE CONTROL VALVE, STABILIZER SECTION (CENTER PIVOT)
301	01	BACKHOE CONTROL VALVE, 6 SECTIONS (SIDE SHIFT)
301	02	BACKHOE CONTROL VALVE, STABILIZER SECTION (SIDE SHIFT)
301	03	BACKHOE CONTROL VALVE, OULET SECTION (SIDE SHIFT)
302	01	TWO-SECTION CONTROL VALVE FOR LOADER
302	02	TWO-SECTION CONTROL VALVE FOR LOADER
302	03	TWO-SECTION CONTROL VALVE FOR LOADER
302	04	TWO-SECTION CONTROL VALVE FOR LOADER
304	01	LOCK VALVE ON TILTING CYLINDER
304	02	LOCK VALVE ON LIFTING CYLINDER
304	03	LOCK VALVE
311	01	STABILIZER CYLINDER - LOCK VALVE (SIDE SHIFT)
311	02	STABILIZER CYLINDER - LOCK VALVE (SIDE SHIFT)
328	01	HYDRAULIC SYSTEM PIPING(SIDE SHIFT)
331/ A	01	6 SECTION PILOT CONTROL VALVE SUPPORT, COMPLETE
331/ A	02	2 SECTION PILOT CONTROL VALVE SUPPORT, COMPLETE
331/ B	01	PILOT CONTROL VALVE SUPPORT, COMPLETE
331/ C	01	6 SECTION PILOT CONTROL VALVE SUPPORT, COMPLETE
331/ C	02	6 SECTION PILOT CONTROL VALVE SUPPORT, COMPLETE
331/ C	03	6 SECTION PILOT CONTROL VALVE SUPPORT, COMPLETE
331/ C	04	6 SECTION PILOT CONTROL VALVE SUPPORT, COMPLETE
331/ C	05	6 SECTION PILOT CONTROL VALVE SUPPORT, COMPLETE
331/ C	06	6 SECTION PILOT CONTROL VALVE SUPPORT, COMPLETE (CENTER PIVOT)
331/ C	07	VALVE, JOYSTICK PILOT CONTROLS (LEFT HAND)
331/ C	08	VALVE, JOYSTICK PILOT CONTROLS (RIGHT HAND) - STANDARD VERSION
331/ 1	01	BACKHOE CONTROL VALVE, 6 SECTIONS (CENTER PIVOT) EUROPE
331/ 1	02	BACKHOE CONTROL VALVE, INLET SECTION (CENTER PIVOT)
331/ 1	03	BACKHOE CONTROL VALVE, BOOM SECTION (CENTER PIVOT) EUROPE
331/ 1	04	BACKHOE CONTROL VALVE, SWING SECTION (CENTER PIVOT) EUROPE
331/ 1	05	BACKHOE CONTROL VALVE, BUCKET SECTION (CENTER PIVOT) EUROPE
331/ 1	06	BACKHOE CONTROL VALVE, DIPPERSTICK SECTION (CENTER PIVOT) EUROPE
331/ 1	07	BACKHOE CONTROL VALVE, STABILIZER SECTION (CENTER PIVOT) EUROPE
332	01	BACKHOE CONTROL VALVE, 6 SECTIONS (SIDE SHIFT) EUROPE
332	02	BACKHOE CONTROL VALVE, 6 SECTIONS (SIDE SHIFT) EUROPE
332	03	BACKHOE CONTROL VALVE, 6 SECTIONS (SIDE SHIFT) EUROPE
332	04	BACKHOE CONTROL VALVE, 6 SECTIONS (SIDE SHIFT) EUROPE
332	05	BACKHOE CONTROL VALVE, 6 SECTIONS (SIDE SHIFT) EUROPE
332	06	BACKHOE CONTROL VALVE, 6 SECTIONS (SIDE SHIFT) EUROPE
332	07	BACKHOE CONTROL VALVE, 6 SECTIONS (SIDE SHIFT) EUROPE
332	13	6-SECTION PILOT CONTROL VALVE SUPPORT,COMPLETE (SIDE SHIFT) EUROPE
333	01	7-SECTIONS EXCAVATOR CONTROL VALVE (CENTER PIVOT) EUROPE
333	02	7-SECTIONS EXCAVATOR CONTROL VALVE (CENTER PIVOT) EUROPE
333/ A	01	7 SECTION PILOT CONTROL VALVE SUPPORT, COMPLETE
333/ A	02	7 SECTION PILOT CONTROL VALVE SUPPORT, COMPLETE
333/ A	03	7 SECTION PILOT CONTROL VALVE SUPPORT, COMPLETE
333/ B	01	7 SECTION PILOT CONTROL VALVE SUPPORT, COMPLETE

TABLE OF CONTENTS

333/ B	02	7 SECTION PILOT CONTROL VALVE SUPPORT, COMPLETE (CENTER PIVOT) EUROPE
333/ B	03	7 SECTION PILOT CONTROL VALVE SUPPORT, COMPLETE
333/ B	04	7 SECTION PILOT CONTROL VALVE SUPPORT, COMPLETE
333/ B	05	7 SECTION PILOT CONTROL VALVE SUPPORT, COMPLETE
333/ B	06	7 SECTION PILOT CONTROL VALVE SUPPORT, COMPLETE (CENTER PIVOT) EUROPE
333/ B	07	7 SECTION PILOT CONTROL VALVE SUPPORT, COMPLETE (CENTER PIVOT) EUROPE
333/ B	08	7 SECTION PILOT CONTROL VALVE SUPPORT, COMPLETE
333/ B	09	7 SECTION PILOT CONTROL VALVE SUPPORT, COMPLETE (CENTER PIVOT) EUROPE
333/ 1	08	7-SECTIONS EXCAVATOR CONTROL VALVE (CENTER PIVOT) NORTH AMERICA
334	01	7-SECTIONS EXCAVATOR CONTROL VALVE (SIDE SHIFT) EUROPE
334	02	7-SECTIONS EXCAVATOR CONTROL VALVE (SIDE SHIFT) EUROPE
334	08	7-SECTIONS EXCAVATOR CONTROL VALVE (SIDE SHIFT) EUROPE
334	09	7-SECTIONS EXCAVATOR CONTROL VALVE
334	11	7-SECTIONS EXCAVATOR CONTROL VALVE
341	01	8-SECTIONS EXCAVATOR CONTROL VALVE(CENTER PIVOT) EUROPE
341	02	EXCAVATOR CONTROL VALVES GROUP 8 SECTIONS - OPTIONAL SECTION
341/ A	01	8 SECTION PILOT CONTROL VALVE SUPPORT,COMPLETE
341/ A	02	PROPORTIONAL VALVE 4 OPERATIONS
341/ B	01	8 SECTION PILOT CONTROL VALVE SUPPORT,COMPLETE
341/ B	03	8 SECTION PILOT CONTROL VALVE SUPPORT,COMPLETE
341/ B	07	8 SECTION PILOT CONTROL VALVE SUPPORT,COMPLETE(CENTER PIVOT)EUROPE
341/ B	08	8 SECTION PILOT CONTROL VALVE SUPPORT,COMPLETE(
341/ C	03	6 SECTION PILOT CONTROL VALVE SUPPORT,COMPLETE
341/ C	04	VALVE, JOYSTICK (PILOT CONTROLS) (LEFT - HAND)
391	01	LOCK VALVE FOR BUCKET 4X1 / 6X1
392	01	LOCKING VALVE ON BACKHOE LIFT AND DIPP. CYLINDER
392	02	BACKHOE LIFT & DIPPERSTICK CYLINDER LOCK VALVE
437	01	GLIDE RIDE VALVE,HYDRAULIC SYSTEM FOR MACHINE FRAME LEVELLING & ON/OFF SWITCH
437	02	GLIDE RIDE VALVE
437/ 1	01	GLIDE RIDE VALVE,HYDRAULIC SYSTEM FOR MACHINE FRAME LEVELLING
698	01	GLIDE RIDE VALVE,HYDRAULIC SYSTEM FOR MACHINE FRAME LEVELLING & ON/OFF SWITCH
702	01	PEDAL-OPERATED TELESCOPIC DIPPER HYDRAULIC SYSTEM (SIDE SHIFT)
702	02	PEDAL-OPERATED TELESCOPIC DIPPER HYDRAULIC SYSTEM (SIDE SHIFT)
702	07	PEDAL-OPERATED TELESCOPIC DIPPER HYDRAULIC SYSTEM (SIDE SHIFT)
702/ 1	02	PEDAL-OPERATED TELESCOPIC DIPPER HYDRAULIC SYSTEM (CENTER PIVOT)
703	01	PEDAL-OPERATED TELESCOPIC DIPPER HYDRAULIC SYSTEM
703	02	PEDAL-OPERATED TELESCOPIC DIPPER HYDRAULIC SYSTEM
703	03	PEDAL-OPERATED TELESCOPIC DIPPER HYDRAULIC SYSTEM
703	04	PEDAL-OPERATED TELESCOPIC DIPPER HYDRAULIC SYSTEM
703	05	PEDAL-OPERATED TELESCOPIC DIPPER HYDRAULIC SYSTEM
708	01	THREE-SECTION CONTROL VALVE FOR LOADER
708	02	THREE-SECTION CONTROL VALVE FOR LOADER
727/ 2	01	HYDRAULIC SYSTEM PRESETTING FOR TELESCOPIC LINKS PEDAL OPERATED(SIDE SHIFT)
727/ 3	01	HYDRAULIC SYSTEM PRESETTING FOR TELESCOPIC LINKS PEDAL OPERATED(CENTER PIVOT)
SEC. 08	00	BODY & HOOD
1.83.0	01	HOOD, GRILLE & RELATED PARTS

TABLE OF CONTENTS

1.87.2	01	CAB SCREEN
1.87.8	01	CAB FASTENERS
SEC. 09	00	LOADER 1/1
SEC. 09	01	BACKHOE 1/2
SEC. 09	02	BACKHOE 2/2
1.21.4	01	REAR SUPPORT (SIDE SHIFT)
1.80.99	01	SWING POST ASSEMBLY, BUSHINGS & PINS
1.80.99	02	SWING POST PINS & TRANSPORT LOCK HOOK
1.88.01	01	TRANSPORT LOCK" REAR LOCKING" (CENTER PIVOT)
1.88.01	02	TRANSPORT LOCK" REAR LOCKING" (CENTER PIVOT)
1.88.01/ 2	01	"TRANSPORT LOCK" ON/OFF SWITCH, VALVE & HOSES (POWER SHIFT, SIDE SHIFT, CENTER PIVOT)
1.88.01/ 2	02	TRANSPORT LOCK HOOK, CYLINDER & HOSE (SIDE SHIFT,CENTER PIVOT, POWER SHIFT)
1.88.09/ 1	01	DISTRIBUTOR VALVE SUPPORT (SIDE SHIFT)
1.88.11/ A	01	ARMS AND JOINTS
1.88.11/ 1C	01	LIFT CYLINDER
1.88.11/ 2B	01	LOADER BUCKET CONTROL CYLINDER
1.88.11/ 2B	02	LOADER BUCKET CONTROL CYLINDER
1.88.11/ 3A	01	LIFT CYLINDER AND BUCKET PIPES
1.88.11/ 6	02	STABILIZER CYLINDERS (CENTER PIVOT)
1.88.11/ 6B	01	STABILIZER CYLINDERS (SIDE SHIFT)
1.88.11/ 6C	01	STABILIZER CYLINDERS (SIDE SHIFT)
1.88.11/ 7A	01	PIPES FOR STABILIZER CYLINDERS (CENTER PIVOT)
1.88.11/ 7B	01	PIPES FOR STABILIZER CYLINDERS (SIDE SHIFT)
1.88.11/ 7C	01	PIPES FOR STABILIZER CYLINDERS (SIDE SHIFT)
1.88.11/ 8	01	RETURN TO DIG SENSOR
1.88.11/ 9	01	CYLINDERS AND ROTATION PLATE (SIDE SHIFT)
1.88.11/ 9A	01	CYLINDERS AND ROTATION PLATE
1.88.11/ 9C	01	SWING CYLINDERS BACKHOE
1.88.12/ 3	01	FRONT CONTROL VALVE SUPPORT AND TRANSMISSIONS (CENTER PIVOT)
1.88.12/ 4	01	FRONT CONTROL VALVE SUPPORT AND TRANSMISSIONS (SIDE SHIFT)
120	01	SILENT HAMMER CB65S
120/ 1	01	HAMMER CB65B
128	01	APPROVAL FOR ITALY
128	02	APPROVAL FOR ITALY
128	03	APPROVAL FOR ITALY
128	04	APPROVAL FOR ITALY
128	05	APPROVAL FOR ITALY
128	06	APPROVAL FOR ITALY
129	01	APPROVAL FOR GERMANY
129	02	APPROVAL FOR GERMANY
129	03	APPROVAL FOR GERMANY
129	04	APPROVAL FOR GERMANY
129	06	APPROVAL FOR GERMANY
129	07	APPROVAL FOR GERMANY
130	01	APPROVAL FOR EUROPE
130	02	APPROVAL FOR EUROPE
130	03	APPROVAL FOR EUROPE
130	04	APPROVAL FOR EUROPE
130	05	APPROVAL FOR EUROPE
140	01	UK VERSION
140	02	APPROVAL FOR UK-EUROPE
140	04	APPROVAL FOR UK-EUROPE
140	05	UK VERSION

TABLE OF CONTENTS

140	06	APPROVAL FOR UK-EUROPE
140	07	APPROVAL FOR UK-EUROPE
141	01	APPROVAL FOR FRANCE-EUROPE
141	02	APPROVAL FOR FRANCE-EUROPE
141	04	APPROVAL FOR FRANCE-EUROPE
141	05	APPROVAL FOR FRANCE
141	06	APPROVAL FOR FRANCE-EUROPE
200	01	SHOVEL AND REAR LIFTING HOOKS
375	01	TRANSPORT LOCK - EUROPE (POWER SHUTTLE)(CAB)
379	01	TRANSPORT LOCK" REAR LOCKING" (SIDE SHIFT)
379	02	TRANSPORT LOCK" REAR LOCKING" (SIDE SHIFT)
416-417	01	SYSTEM HAMMER COMPONENTS (CAB)
469	01	BUCKET 6X1 (1,15 M3) WITH BLADE
469	02	BUCKET 6X1 (1,15 M3) WITH BLADE
469/ A	01	HYDRAULIC CYLINDER (BUCKET 4X1-6X1)
469/ 1	01	BUCKET 6X1 (1,15 M3) WITH BLADE "COMMON GREY"
469/ 2	01	BUCKET 6X1 (1,15 M3) WITH BLADE "COMMON GREY"
470	01	BUCKET 6X1 (1,15 M3) WITH TINE
470	02	BUCKET 6X1 (1,15 M3) WITH TINE
470/ 1	01	BUCKET 6X1 (1,15 M3) WITH TINE "COMMON GREY"
470/ 2	01	BUCKET 6X1 (1,15 M3) WITH TINE "COMMON GREY"
475	01	BUCKET 4X1 (1,15 M3) WITH BLADE
475	02	BUCKET 4X1 (1,15 M3) WITH BLADE
475/ 1	01	BUCKET 4X1 (1,15 M3) WITH BLADE "COMMON GREY"
475/ 2	01	BUCKET 4X1 (1,15 M3) WITH BLADE "COMMON GREY"
476	01	BUCKET 4X1 (1,15 M3) WITH TINE
476	02	BUCKET 4X1 (1,15 M3) WITH TINE
476/ 1	01	BUCKET 4X1 (1,15 M3) WITH TINE "COMMON GREY"
476/ 2	01	BUCKET 4X1 (1,15 M3) WITH TINE "COMMON GREY"
500	01	1,13 M3 BUCKET
501	01	1,13 M3 BUCKET W/TINES
502	01	1,13 M3 BUCKET WITH EXTRA REVERSIBLE BLADE
505	01	EXTRA REVERSIBLE BLADE
514/ C	01	HYDRAULIC BUCKET CYLINDER
514/ E	01	HYDRAULIC DITCHING CYLINDER
515	01	12" (305MM) BACKHOE BUCKET WITH PIN TEETH
515	02	12" (305MM) BACKHOE BUCKET WITH BOLT-ON TEETH
516	01	18" (457MM) BACKHOE BUCKET WITH PIN TEETH
516	02	18" (457MM) BACKHOE BUCKET WITH BOLT-ON TEETH
517	01	24" (610MM) BACKHOE BUCKET WITH PIN TEETH
517	02	24" (610MM) BACKHOE BUCKET WITH BOLT-ON TEETH
518	01	30" (762MM) BACKHOE BUCKET WITH PIN TEETH
518	02	30" (762MM) BACKHOE BUCKET WITH BOLT-ON TEETH
519	01	36" (914MM) BACKHOE BUCKET WITH PIN TEETH
519	02	36" (914MM) BACKHOE BUCKET WITH BOLT-ON TEETH
526	01	BOLT-ON TOOTH KIT, 12" (305MM) BACKHOE BUCKET
527	01	BOLT-ON TOOTH KIT, 18" (457MM) & 24" (610MM) BACKHOE BUCKETS
528	01	BOLT-ON TOOTH KIT, 30" (762MM) BACKHOE BUCKET
529	01	BOLT-ON TOOTH KIT, 36" (914MM) BACKHOE BUCKET
530	01	PIN TOOTH KIT, 12" (305MM) BACKHOE BUCKET
531	01	PIN TOOTH KIT, 18" (457MM) & 24" (610MM) BACKHOE BUCKETS
532	01	PIN TOOTH KIT, 30" (762MM) BACKHOE BUCKET
533	01	PIN TOOTH KIT, 36" (914MM) BACKHOE BUCKET
533/ 1	02	1.15 M3 BUCKET WITH FORKS AND CUTTER BLADE
534	01	1,15 M3 BUCKET WITH FORKS AND EXTRA REVERSIBLE BLADE

TABLE OF CONTENTS

534	02	1,15 M3 BUCKET WITH FORKS AND EXTRA REVERSIBLE BLADE
535/ 2	01	1,15MC BUCKET WITH FORKS AND TINE
535/ 2	02	1,15MC BUCKET WITH FORKS AND TINE
548	01	DITCH CLEANING BUCKET
555	01	FRONT BUCKET TEETH
649	01	1.15 BUCKET FORK KIT FOR CONVERSION FROM 4X1 TO 6X1
699	01	HAND HAMMER SWITCH
700	01	4X1 & 6X1 BUCKET HYDRAULIC LINES (4WS)
700	02	4X1 & 6X1 BUCKET HYDRAULIC LINES (4WS)
707	01	KIT-HYDRAULIC SYSTEM WITH 3 SECTION FOR BUCKET 4X1 / 6X1
707	02	KIT-HYDRAULIC SYSTEM WITH 3 SECTION FOR BUCKET 4X1 / 6X1
724	01	HYDRAULIC SYSTEM FOR HAMMER (CENTER PIVOT)
724	02	HYDRAULIC SYSTEM FOR HAMMER (CENTER PIVOT)
724/ A	01	REAR HAMMER CONTROL VALVE
724/ 1	01	HYDRAULIC SYSTEM FOR HAMMER (SIDE SHIFT)
724/ 2	01	HYDRAULIC SYSTEM FOR HAMMER (CENTER PIVOT)
724/ 2	02	HYDRAULIC SYSTEM FOR HAMMER
724/ 3	01	HYDRAULIC SYSTEM FOR HAMMER (CENTER PIVOT)
724/ 3	02	HYDRAULIC SYSTEM FOR HAMMER (CENTER PIVOT)
724/ 5	01	HYDRAULIC SYSTEM FOR HAMMER (4WS)
724/ 6	01	HYDRAULIC SYSTEM FOR HAMMER (SIDE SHIFT EUROPA)
725	01	HAMMER KIT FROM LIFTING ARM TO DEMOLITION ARM
728	01	MANUAL HAMMER SYSTEM
728	02	MANUAL HAMMER SYSTEM
728/ A	01	MANUAL HAMMER VALVE
732	01	REAR MECHANICAL QUICK-COUPLING
732/ A	01	REAR MECHANICAL QUICK-COUPLING
900	01	BOOM - LONG DIPPER
900	02	LONG DIPPER
900	03	LONG/SHORT DIPPER - BUCKET MOTION
900	04	LONG DIPPÊR - HYDRAULIC SYSTEM
900	05	LONG DIPPER - HYDRAULIC SYSTEM
900	06	LONG DIPPER - HYDRAULIC SYSTEM
900	07	LONG DIPPER - HYDRAULIC SYSTEM
901	01	TELESCOPIC DIPPER LONG/SHORT - HYDRAULIC SYSTEM
901/ A	01	TELESCOPIC DIPPER LONG
901/ B	01	TELESCOPIC DIPPER LONG- HYDRAULIC LIFTING CYLINDER
901/ C	01	TELESCOPIC DIPPER LONG - HYDRAULIC LIFTING CYLINDER
901/ D	01	HYDRAULIC LIFTING CYLINDER - TELESCOPIC DIPPER LONG
SEC. 10	00	BODY, HOOD & DRIVER"S POST 1/3
SEC. 10	01	BODY, HOOD & DRIVER"S POST 2/3
SEC. 10	02	BODY, HOOD & DRIVER"S POST 3/3
095	01	STABILIZER CONTROL WITHOUT AUTO-UP (CENTER PIVOT)
096	01	STABILIZER CONTROL WITH AUTO-UP (CENTER PIVOT)
1.63.0	01	POWER STEERING HYDRAULIC SYSTEM
1.63.0/ A	01	POWER STEERING HYDRAULIC SYSTEM (4WS)
1.91.1	01	CAB / CEILING LIGHT
1.91.3	01	BACK-UP ALARM
1.91.4/ 6	01	IGNITON SWITCH, POWER POINT, FUSE PANEL & SIDE CONSOLE HARNESS (CAB CP POWER SHIFT)
1.91.4/ 6	02	IGNITON SWITCH, POWER POINT, FUSE PANEL & SIDE CONSOLE HARNESS (CAB CP POWER SHIFT)
1.91.4/ 6	03	IGNITON SWITCH, POWER POINT, FUSE PANEL & SIDE CONSOLE HARNESS (CAB CP POWER SHIFT)

TABLE OF CONTENTS

1.91.4/ 6	04	IGNITION SWITCH, POWER POINT, FUSE PANEL & SIDE CONSOLE HARNESS (CAB CP POWER SHIFT)
1.91.4/ 6	05	IGNITION SWITCH, POWER POINT, FUSE PANEL & SIDE CONSOLE HARNESS (CAB CP POWER SHIFT)
1.91.4/ 6	06	FRONT DASH (CAB CP POWER SHIFT)
1.91.4/ 6	07	IGNITION SWITCH, POWER POINT, FUSE PANEL & SIDE CONSOLE HARNESS (CAB CP POWER SHIFT)
1.91.4/ 7	01	IGNITION SWITCH, POWER POINT, FUSE PANEL & SIDE CONSOLE HARNESS (POWER SHIFT EUR)
1.91.4/ 7	02	IGNITION SWITCH, POWER POINT, FUSE PANEL & SIDE CONSOLE HARNESS (POWER SHIFT EUR)
1.91.4/ 7	03	IGNITION SWITCH, POWER POINT, FUSE PANEL & SIDE CONSOLE HARNESS (POWER SHIFT EUR)
1.91.4/ 7	04	IGNITION SWITCH, POWER POINT, FUSE PANEL & SIDE CONSOLE HARNESS (POWER SHIFT EUR)
1.91.4/ 7	05	IGNITION SWITCH, POWER POINT, FUSE PANEL & SIDE CONSOLE HARNESS (POWER SHIFT EUR)
1.91.4/ 7	06	FRONT DASH (POWER SHIFT EUR)
1.91.4/ 7	07	IGNITION SWITCH, POWER POINT, FUSE PANEL & SIDE CONSOLE HARNESS (POWER SHIFT EUR)
1.91.5	01	FRONT AND REAR WINDSCREEN WIPERS
1.91.5	02	WINDSCREEN WIPERS RESERVOIR & NOZZLES
1.91.6	01	RADIO ANTENNA & SPEAKER COVER
1.91.7	01	LAMPS & LIGHTS - CAB (EUROPE)
1.91.8	01	CAB-SAFETY FRAME / EXTINGUISHER
1.92.1	01	CAB - FRAME-DOOR
1.92.1/ 2	01	CAB - FRAME-DOOR
1.92.3	01	WINDOWS
1.92.4	01	WINDOWS
1.92.4	02	WINDOWS
1.92.4	03	WINDOWS
1.92.5	01	FENDERS, REAR
1.92.6	01	DOOR COMPONENTS
1.92.6	02	DOOR COMPONENTS
1.92.6	03	DOOR COMPONENTS
1.92.9	01	REAR WINDOWS
1.92.9	02	REAR WINDOWS
1.92.9	03	REAR WINDOWS
1.93.0	01	CAB / SOFT TRIM
1.93.0	02	CAB / SOFT TRIM (POWER SHUTTLE)
1.93.0	03	CAB / SOFT TRIM
1.93.0	04	CAB / SOFT TRIM
1.93.0/ 1	02	CAB / SOFT TRIM (POWER SHIFT)
1.93.0/ 1	03	CAB / SOFT TRIM (POWER SHIFT)
1.93.0/ 3	01	CAB / SOFT TRIM
1.93.0/ 3	04	CAB / SOFT TRIM
1.93.4	01	REAR MIRROR- SUN SCREEN
1.93.5/ 1	01	CAB / PANEL DASH
1.93.5/ 1	02	CAB / PANEL DASH
1.93.5/ 3	01	CAB / PANEL DASH
1.94.0	01	CAB/ CANOPY
1.94.2	01	HEATER HOUSING, COIL, BLOWER & VALVE
1.94.2	02	HEATER ASSEMBLY & FILTERS
1.94.2	03	HEATER WATER HOSES
1.94.2	04	AIR DUCTS & VENTS

TABLE OF CONTENTS

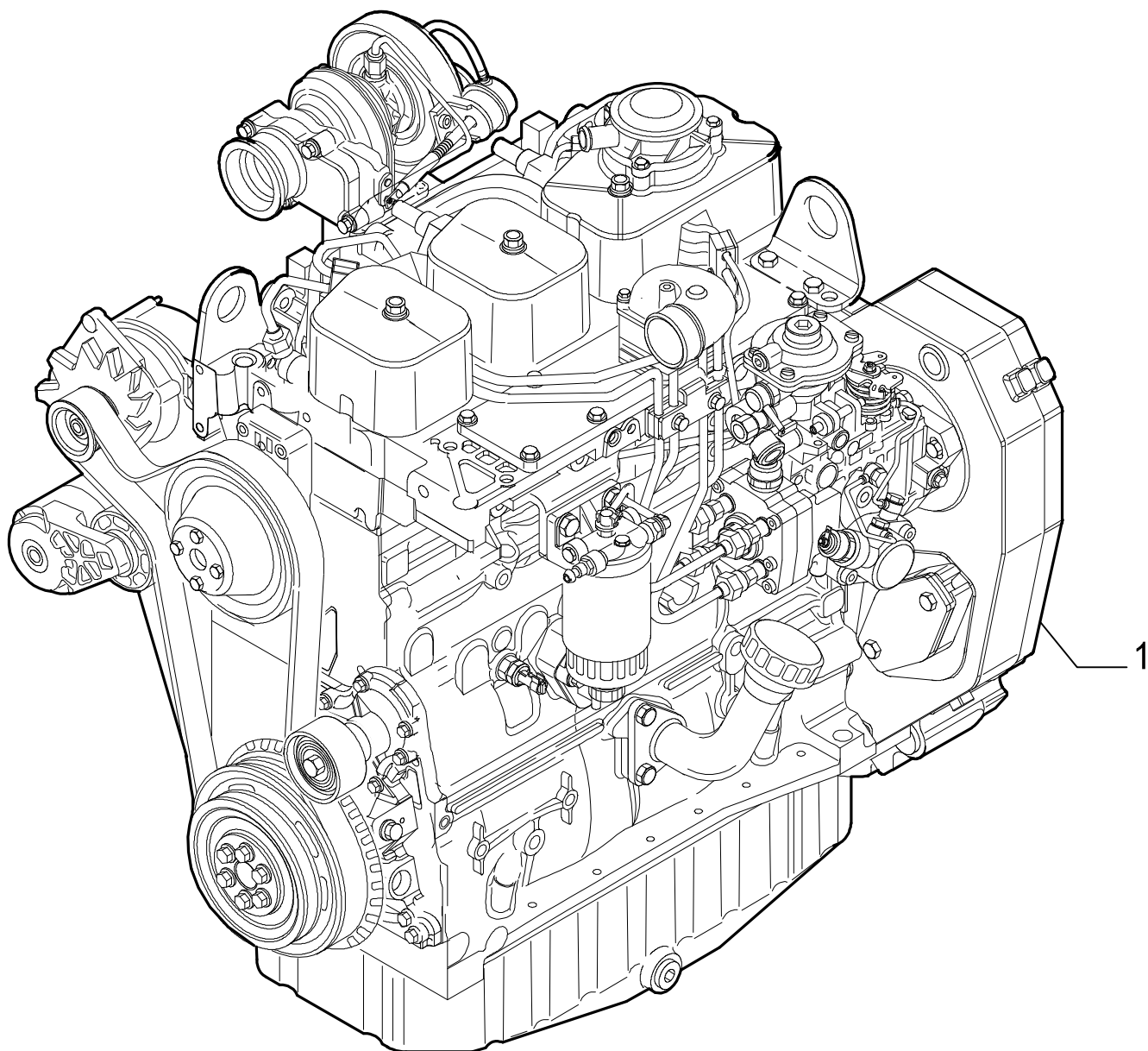
1.94.2	05	HEATER CONTROL PANEL
1.94.2/ 1	01	HEATER HOUSING, COIL, BLOWER & VALVE
1.94.2/ 1	03	HEATER WATER HOSES
1.94.2/ 1	04	AIR DUCTS & VENTS
1.95.0	01	CAB-SAFETY FRAME / BRAKE PEDAL
1.95.0	02	CAB-SAFETY FRAME / BRAKE PEDAL
1.95.0	03	CAB-SAFETY FRAME / BRAKE PEDAL
1.95.0/ B	01	CAB- BRAKE PEDAL
1.95.1/1	01	CAB-SAFETY FRAME / HAND BRAKE (EUR)
1.95.3	01	HAND-OPERATED AND PEDAL-OPERATED ACCELERATOR CONTROL
1.95.5	02	POWER STEERING MOTOR HOSES
1.95.5/ C	01	POWER STEERING MOTOR
1.95.5/ C	02	POWER STEERING MOTOR
1.95.5/ 4	01	POWER STEERING MOTOR, WHEEL & COLUMN (4WS)
1.96.0/ 2	01	FOWARD/REVERSE & MULTI-PURPOSE LEVER, CAB (POWER-SHIFT)
1.96.2	01	STABILIZER CONTROL
1.96.2	02	STABILIZER CONTROL
1.96.2/ 1	01	PILOT CONTROL DIAGNOSTICS
1.96.7/ 2	01	CAB / MISCELLANEOUS CAPS (CENTER PIVOT) USA
1.96.7/ 3	01	CAB / MISCELLANEOUS CAPS (POWER SHIFT) EUR
1.96.7/ 8	01	CAB / MISCELLANEOUS CAPS (CENTER PIVOT) USA
1.96.7/ 9	01	CAB / MISCELLANEOUS CAPS (POWER SHIFT) EUR
1.98.0	01	INFORMATION SYMBOL DECALS - EUROPA
1.98.0	02	WARNING SYMBOL DECALS - EUROPA
1.98.0	03	CAB WARNING & INFORMATION DECALS - EUROPA
1.98.0	04	BACKHOE, LOADER & ENGINE WARNING DECALS - EUROPA
1.98.0/ 2	01	FOWARD/REVERSE & STEERING DECALS - POWER SHIFT
1.98.0/ 2	02	FOWARD/REVERSE & STEERING DECALS - POWER SHIFT
1.98.1	05	LB115.B MODEL IDENTIFICATIO (POWER SHIFT)
346	01	A/C HOUSING & FILTERS
346	02	A/C BLOWER & COILS
346	03	HEATER COIL HOSES
346	04	A/C & HEATER CONTROL PANEL
346	05	A/C & HEATER CONSOLE DUCTS
346/1	01	TRANSFORMATION SET FROM HEATING TO AIR CONDITIONING
346/1	02	TRANSFORMATION SET FROM HEATING TO AIR CONDITIONING
347	01	HOUSING & FILTERS
347	02	HEATER BLOWER & COILS
347	03	HEATER COIL HOSES
347	04	A/C & HEATER CONTROL PANEL
347	05	A/C & HEATER CONSOLE DUCTS
347	06	CAB HEATING COATING PLUG
350	01	2 LEVER BACKHOE CONTROLS, LEVER, BOOT & DECALS
350	02	2 LEVER BACKHOE CONTROLS, LEVER TIE-ROD ASSEMBLY
351	01	JCB 2 LEVER BACKHOE CONTROLS, LEVERS, BOOT & DECALS
351	02	JCB 2 LEVER BACKHOE CONTROLS, UPPER TIE-ROD ASSEMBLY
351	03	JCB 2 LEVER BACKHOE CONTROLS, LOWER TIE-ROD ASSEMBLY
353	01	4 LEVER BACKHOE CONTROLS, CONSOLE, LEVERS & BELLCRANK
353	02	4 LEVER BACKHOE CONTROLS, UPPER TIE-ROD ASSEMBLY
353	03	4 LEVER BACKHOE CONTROLS, LOWER TIE-ROD ASSEMBLY
354	01	ISO 2 LEVER BACKHOE CONTROLS, TIE-ROD ASSEMBLY, BOOT & DECALS (SIDE SHIFT)
358	01	ISO 2 LEVER BACKHOE CONTROLS, LEVERS, BOOT & DECALS
358	02	ISO 2 LEVER BACKHOE CONTROLS, TIE-ROD ASSEMBLY
393	03	LOCKING VALVE ON BACKHOE LIFT CYLINDER

TABLE OF CONTENTS

622	01	INTERNAL FAN
642	01	EGS CONTROL, 20 & 40KM/H (POWER SHIFT)
644	01	A/C HOUSING & FILTERS
644	02	A/C BLOWER & COILS
644	03	HEATER COIL HOSES
644	04	A/C & HEATER CONTROL PANEL
644	04A	A/C & HEATER CONTROL PANEL
644	05	A/C & HEATER CONSOLE DUCTS
644	05A	A/C & HEATER CONSOLE DUCTS
644	06	A/C & HEATER CONVEYOR
644	07	A/C HOUSING SIDE PANELS
644	08	RH CAB TRIM WITH VENT
644	09	A/C & HEATER CAB ROOF DUCTS
646	01	A/C DRYER FILTER HOSES
646/1	01	MACHINE PART AIR CONDITIONING SET
646/1	02	A/C COMPRESSOR ATTACHING GROUP
646/1	03	A/C COMPRESSOR
646/1	04	A/C FILTER & CONDENSER ATTACHING GROUP
646A	01	A/C COMPRESSOR ATTACHING GROUP
705	01	SEAT BELTS, 2" & 3"
758	01	ROTATING BEACON
789	01	SPEED SENSOR(P.SHUTTLE)
791	01	RH CONSOLE WITH INSTRUMENTS
792	01	RH CONSOLE WITH INSTRUMENTS AND DIAGNOSTICS
795	01	RH CONSOLE WITH INSTRUMENTS AND DIAGNOSTICS
796	01	ANTITHEFT
851	01	CLOTH SEAT & ATTACHING HARDWARE (CAB)
851/ 1	01	CLOTH SEAT CUSHIONS, ARMRESTS & RELATED PARTS
851/ 1	02	CLOTH SEAT MOUNTING PLATE, ADJUSTING RAILS & SEAT BELT
851/ 1	03	CLOTH SEAT UPPER SUSPENSION PARTS
851/ 1	04	CLOTH SEAT LOWER SUSPENSION PARTS
851/ 3	01	CLOTH SEAT CUSHIONS, ARMRESTS & RELATED PARTS
851/ 3	02	CLOTH SEAT MOUNTING PLATE, ADJUSTING RAILS & SEAT BELT
851/ 3	03	CLOTH SEAT UPPER SUSPENSION PARTS
851/ 3	04	CLOTH SEAT LOWER SUSPENSION PARTS
855	01	AIR RIDE CLOTH SEAT & ATTACHING HARDWARE (CABINA)
855/ 1	01	AIR RIDE CLOTH SEAT CUSHIONS, ARMRESTS & RELATED PARTS
855/ 1	02	AIR RIDE CLOTH SEAT MOUNTING PLATE, ADJUSTING RAILS & SEAT BELT
855/ 1	03	AIR RIDE CLOTH SEAT UPPER SUSPENSION PARTS
855/ 1	04	AIR RIDE CLOTH SEAT LOWER SUSPENSION PARTS
855/ 1	05	AIR RIDE CLOTH SEAT COMPRESSOR & TUBING
855/ 3	01	AIR RIDE CLOTH SEAT CUSHIONS, ARMRESTS & RELATED PARTS
855/ 3	02	AIR RIDE CLOTH SEAT MOUNTING PLATE, ADJUSTING RAILS & SEAT BELT
855/ 3	03	AIR RIDE CLOTH SEAT UPPER SUSPENSION PARTS
855/ 3	04	AIR RIDE CLOTH SEAT LOWER SUSPENSION PARTS
855/ 3	05	AIR RIDE CLOTH SEAT COMPRESSOR & TUBING
966	01	PLATE SUPPORT
990/ 1	01	TOOL KIT
SEC. 11	00	WHEELS
273	01	(4WS) FRONT SPARE WHEEL
85.00	01	WHEELS
SEC. 18	00	VARIATION
529/ 1	01	STABILIZER FOOT STREET PAD (SIDE SHIFT)
530/ 1	01	STABILIZER FOOT GROUND (SIDE SHIFT)
535	01	STABILIZER FOOT GROUND (CENTER PIVOT)

ENGINE
MOTORE
MOTEUR
MOTOR

1



MOTOR
MOTOR
MOTOR
MOTOR

R	N	P.N.	MOD	Q	Description Denominacion	Descrizione Denominação	Description Beschrijving	Bezeichnung Beskrivelse	L.C.
1	1, 2	86982635		1	ENGINE, - ASSY MOTOR	MOTORE MOTOR	MOTEUR MOTOR	MOTOR MOTOR	130M
1	3	87342414		1	ENGINE MOTOR	MOTORE MOTOR	MOTEUR MOTOR	MOTOR MOTOR	130M

- (1) 86982635=87342414
 (2) UP TO S/N 031056893
 (3) FROM TO S/N 031056894 (12/12/2005)

LB115.B

0.040

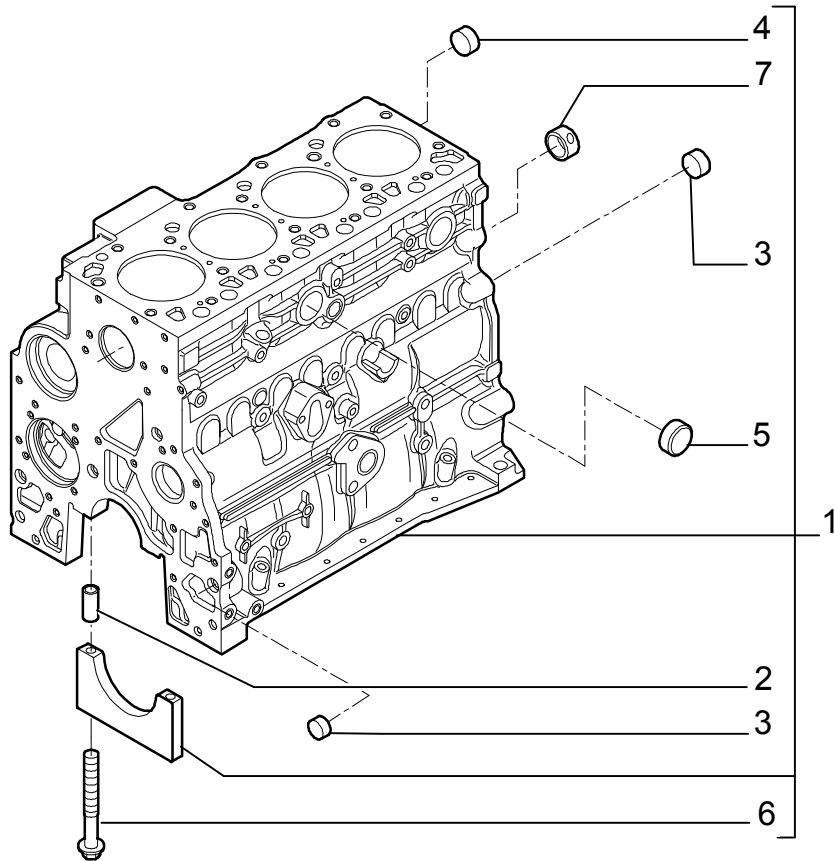
01

p1

12/05

CYLINDER BLOCK
BLOCCO CILINDRI
BLOC CYLINDRES
ZYLINDERBLOCK

1



0.040

01

p1

12/05

BLOQUE DE CILINDROS
 BLOCO DE CILINDRO
 CILINDERBLOK
 CYLINDERBLOK

R	N	P.N.	MOD	Q	Description Denominacion	Descrizione Denominação	Description Beschrijving	Bezeichnung Beskrivelse	L.C.
1		2830082		1	CYLINDER BLOCK, - ASSY BLOQUE DE CILINDROS	BASAMENTO MOTORE BLOCO DE MOTOR	BLOC MOTEUR MOTORBLOK	KURBELGEHAEUSE KRUMTAPHUS	020B
2		4899026		10	DOWEL PITON	GRANO GUIA	PION STEL PEN	ZENTRIERSTIFT DYVEL	090G
3		4895039		3	PLUG, 17.73 mm OD TAPÓN	TAPPO BUJAO	BOUCHON PLUG	STOPFEN PROP	050T
4		4895038		4	PLUG, 58.06 mm OD TAPÓN	TAPPO BUJAO	BOUCHON PLUG	STOPFEN PROP	050T
5		4895228		2	PLUG, 35.23 mm OD TAPÓN	TAPPO BUJAO	BOUCHON PLUG	STOPFEN PROP	050T
6		4891353		10	SCREW, M12X120 TORNILLO	VITE PARAFUSO	VIS SCHROEF	SCHRAUBE SKRUE	040V
7		4895040		1	BUSHING CASQUILLO	BOCCOLA CASQUILHO	BAGUE LAGERBUS	BUECHSE BOESNING	095B

1

LB115.B

0.040

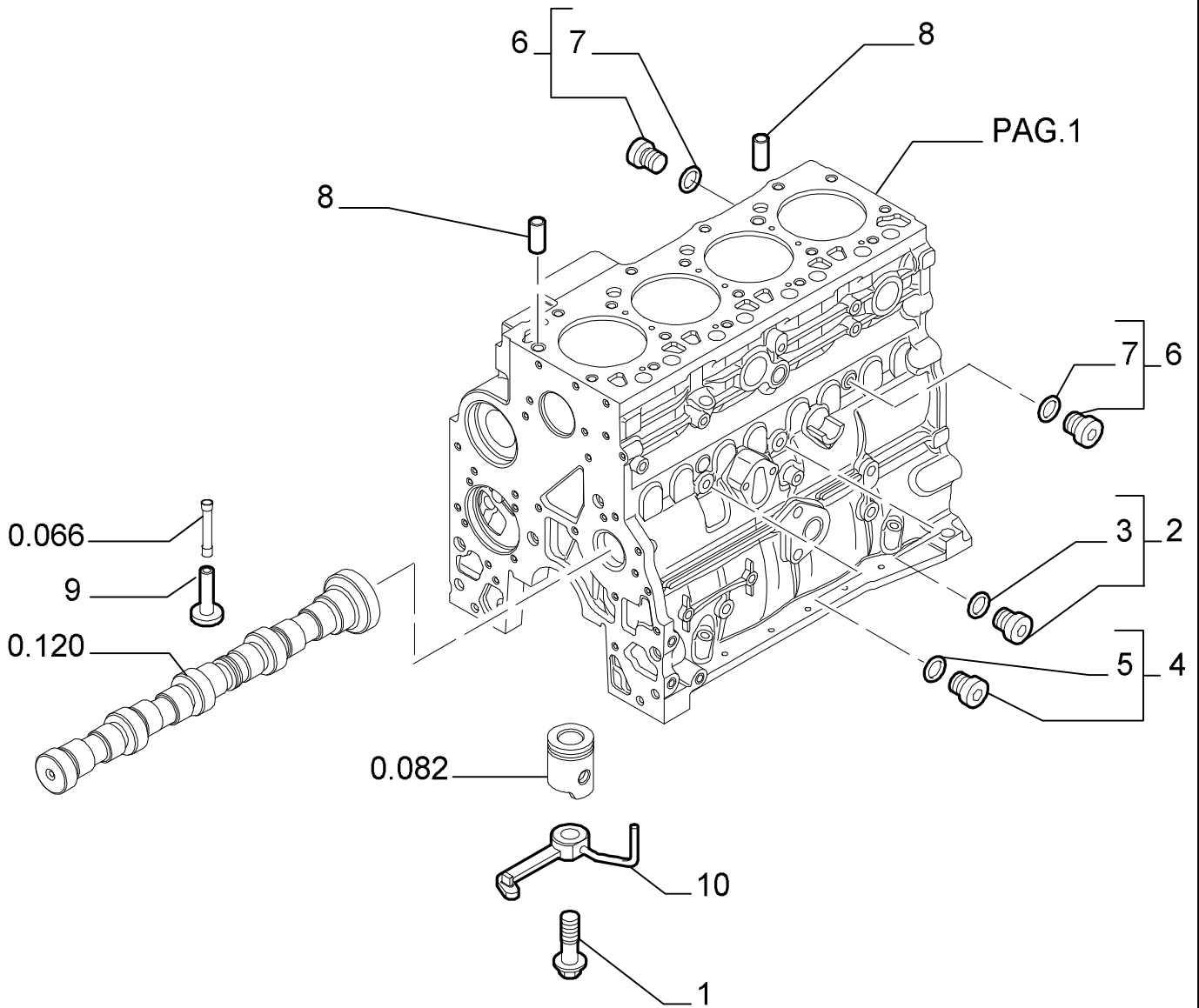
02

p1

12/05

CYLINDER BLOCK
BLOCCO CILINDRI
BLOC CYLINDRES
ZYLINDERBLOCK

1



0.040

02

p1

12/05

BLOQUE DE CILINDROS
 BLOCO DE CILINDRO
 CILINDERBLOK
 CYLINDERBLOK

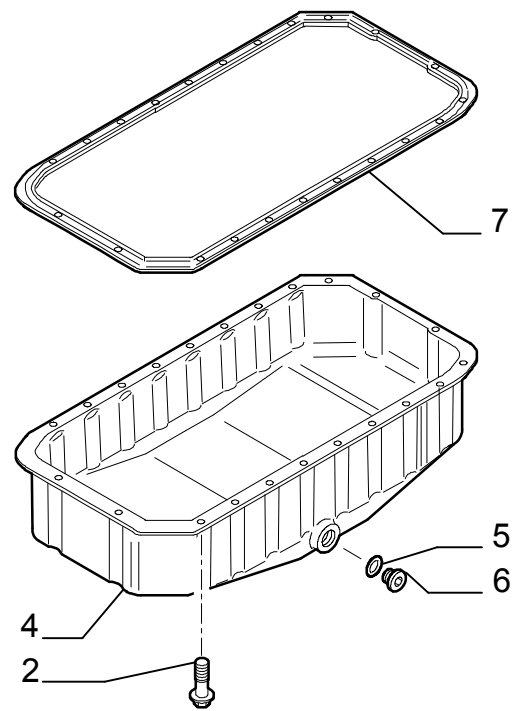
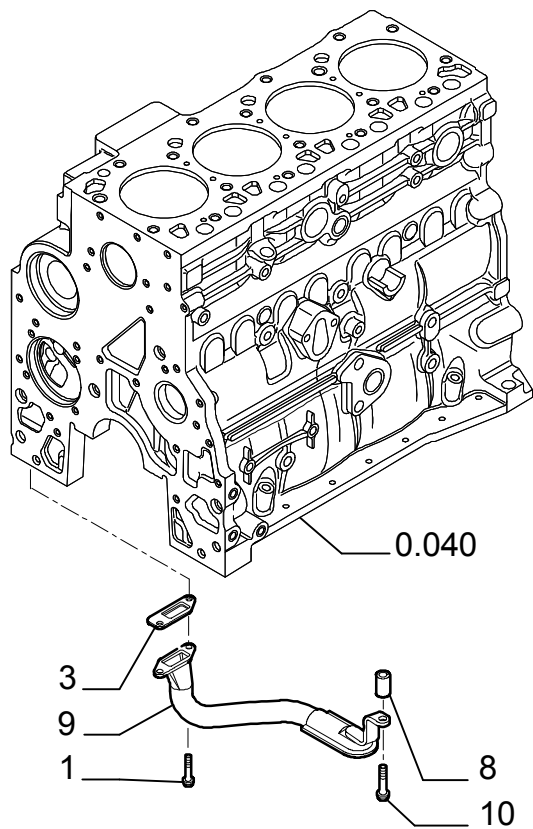
R	N	P.N.	MOD	Q	Description Denominacion	Descrizione Denominação	Description Beschrijving	Bezeichnung Beskrivelse	L.C.
1		4894218		4	SCREW TORNILLO	VITE PARAFUSO	VIS SCHROEF	SCHRAUBE SKRUE	040V
2		4895605		1	PLUG, 14x1.5 - ASSY TAPÓN	TAPPO BUJAO	BOUCHON PLUG	STOPFEN PROP	050T
3		4899115		1	O-RING JUNTA HERMETICA	ANELLO TOROIDALE O-RING	JOINT THORIQUE O-RING	O-RING O-RING	055A
4		4899009		1	PLUG, 10x1.5 - ASSY TAPÓN	TAPPO BUJAO	BOUCHON PLUG	STOPFEN PROP	050T
5		4899072		1	O-RING JUNTA HERMETICA	ANELLO TOROIDALE O-RING	JOINT THORIQUE O-RING	O-RING O-RING	055A
6		4895392		2	PLUG, 18x1.5 - ASSY TAPÓN	TAPPO BUJAO	BOUCHON PLUG	STOPFEN PROP	050T
7		4895393		1	O-RING JUNTA HERMETICA	ANELLO TOROIDALE O-RING	JOINT THORIQUE O-RING	O-RING O-RING	055A
8		4895049		2	DOWEL PITON	GRANO GUIA	PION STEL PEN	ZENTRIERSTIFT DYVEL	090G
9		4895180		8	TAPPET EMPUJADOR	PUNTERIA IMPULSOR	POUSSOIR LAGER, ROL	ROULEMENT A ROULEA VENTILLOEFTER	240P
10		504047260		4	NOZZLE, LUB. OIL JET TOBERA	UGELLO PULVERIZADOR	GICLEUR VERSTUIVER	DUESE DYSE	020U

1

LB115.B

OIL PUMP, PAN
VASCHETTA DELLA POMPA DELL'OLIO
POMPE À HUILE, CARTER
ÖLPUMPENWANNE

1



BOMBA DE ACEITE, BANDEJA
BOMBA DE ÓLEO, RECIPIENTE
PANOLIEPOMP
OLIEPUMPE, BUNDKAR

R	N	P.N.	MOD	Q	Description Denominacion	Descrizione Denominação	Description Beschrijving	Bezeichnung Beskrivelse	L.C.
1		4899020		2	SCREW, M8X1.25X20 TORNILLO	VITE PARAFUSO	VIS SCHROEF	SCHRAUBE SKRUE	040V
2		4899091		22	SCREW, Hex Flg, M8 x 1.25 x 40, M8X1.25X40	VITE	VIS	SCHRAUBE	040V
					TORNILLO	PARAFUSO	SCHROEF	SKRUE	
2		4895489		2	SCREW, M8X1.25X110 TORNILLO	VITE PARAFUSO	VIS SCHROEF	SCHRAUBE SKRUE	040V
3		4898301		1	GASKET JUNTA HERMETICA	GUARNIZIONE JUNTA	JOINT DICHTINGSSTUK	DICHTUNG, FLACH PAKNING	123G
4		504051886		1	PAN, ENGINE OIL CARTER DE ACEITE	COPPA OLIO CARTER DE OLEO	CARTER D'HUILE OLIECARTER	MOTORÖLWANNE BUNDKAR	274C
5		17282280		1	GASKET, 23,4X2,6 JUNTA HERMETICA	GUARNIZIONE JUNTA	JOINT DICHTINGSSTUK	DICHTUNG, FLACH PAKNING	123G
6		4894139		1	PLUG, 22X1.5 TAPÓN	TAPPO BUJAO	BOUCHON PLUG	STOPFEN PROP	050T
7		504069777		1	GASKET JUNTA HERMETICA	GUARNIZIONE JUNTA	JOINT DICHTINGSSTUK	DICHTUNG, FLACH PAKNING	123G
8		504062812		1	SPACER SEPARADOR	DISTANZIALE ESPACADOR	ENTRETOISE AFSTANDSRING	DISTANZSTÜCK AFSTANDSSTYKKE	075D
9		504051893		1	STRAINER, ELEMENT TAMIZ DE ALCACHOFA	ELEMENTO FILTRANTE TAMIZ DE ALCACHOFA	TAMIS DE CRÉPINE STRAINER, ELEMENT	SIEBEINSATZ ELEMENTSI	8600
10		4895538		1	SCREW, M10X1.5X120 TORNILLO	VITE PARAFUSO	VIS SCHROEF	SCHRAUBE SKRUE	040V

LB115.B

0.043

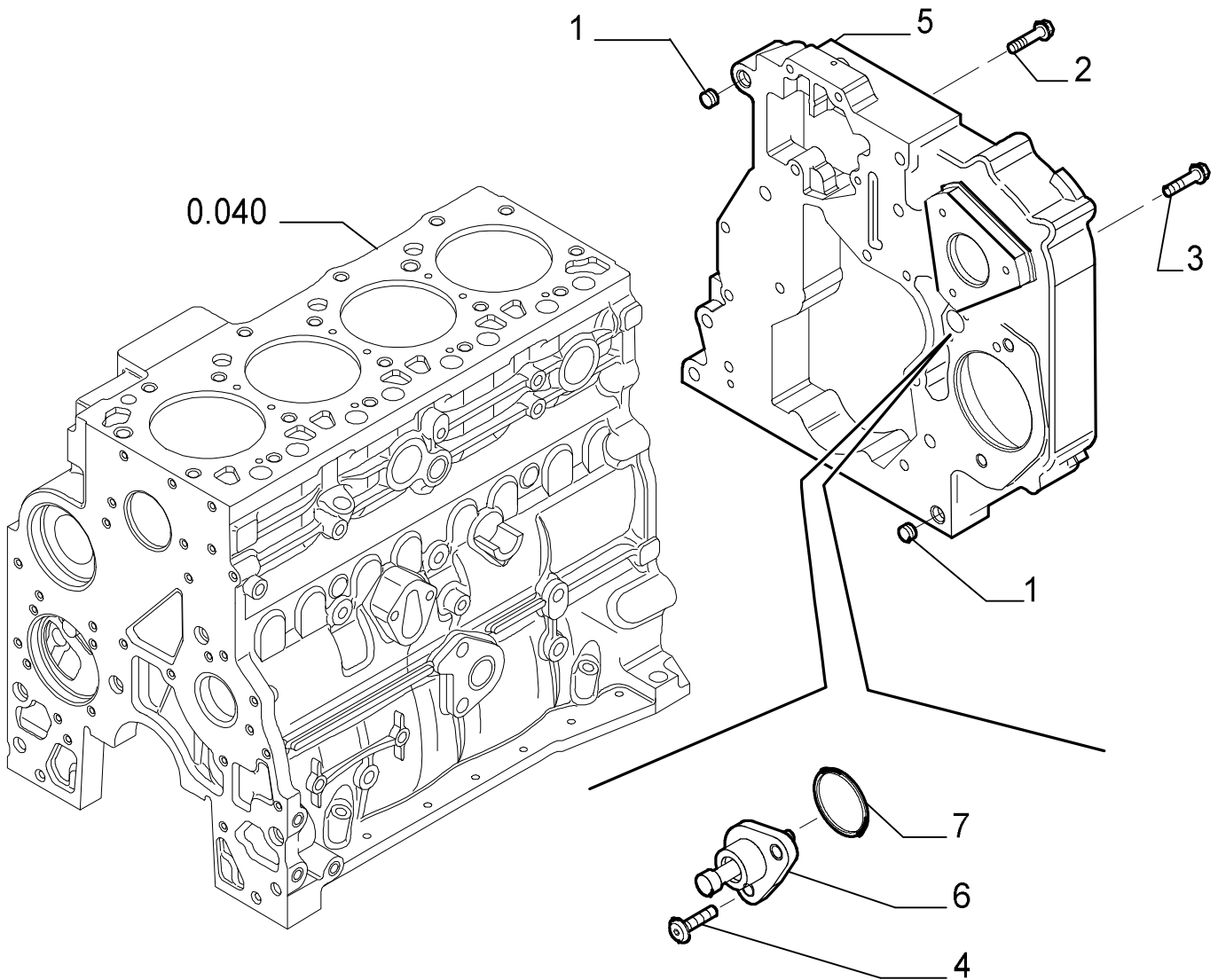
01

p1

12/05

CYLINDER BLOCK - COVERS
BLOCCO CILINDRI - COPERCHI
BLOC CYLINDRES - COUVERCLES
ZYLINDERBLOCK - DECKEL

1



BUY NOW

**Then Instant Download
the Complete Manual
Thank you very much!**