



PARTS CATALOG

SKID STEER

L140

L150



BD05M006

TABLE OF CONTENTS

- General Information
- Section 2 – Engine
- Section 3 – Fuel System
- Section 4 – Electrical System
- Section 5 – Tracks / Steering
- Section 6 – Power train
- Section 7 – Brakes
- Section 8 – Hydraulics
- Section 9 – Chassis/Attachments
- Index

TABLE OF CONTENTS

01.01		ENGINE - L150 BSN N7M466068, L150 EU BSN N7M461810
01.01	01	ENGINE, L150 - L150 ASN N7M466068, L150 EU ASN N7M461810
01.02		CYLINDER BLOCK - L150 BSN N7M466068, L150 EU BSN N7M461810
01.02	01	CYLINDER BLOCK, L150 - L150 ASN N7M466068, L150 EU ASN N7M461810
01.02.01		BLOCK HEATER KIT
01.03		CYLINDER HEAD - L150 BSN N7M466068, L150 EU BSN N7M461810
01.03	01	CYLINDER HEAD, L150 - L150 ASN N7M466068, L150 EU ASN N7M461810
01.04		VALVE COVER
01.05		ROCKER ARMS
01.06		CAMSHAFT
01.07		CRANKSHAFT & PISTONS
01.08		INTAKE MANIFOLD
01.09		EXHAUST MANIFOLD
01.10		TIMING GEAR CASE, GOVERNOR - L150 BSN N7M466068, L150 EU BSN N7M461810
01.10	01	TIMING GEAR CASE, GOVERNOR, L150 - L150 ASN N7M466068, L150 EU ASN N7M461810
01.11		OIL PAN & DIPSTICK
01.12		OIL PUMP & SUCTION FILTER - L150 BSN N7M466068, L150 EU BSN N7M461810
01.12	01	OIL PUMP & SUCTION FILTER, L150 - L150 ASN N7M466068, L150 EU ASN N7M461810
01.13		FUEL INJECTION SYSTEM
01.14		INJECTOR
01.15		WATER PUMP & RELATED PARTS
02.01		MOUNTS & TRANSMISSION AREA - L150 BSN N7M466068, L150 EU BSN N7M461810
02.01.01		MOUNTS & TRANSMISSION - L150 ASN N7M466068, L150 EU ASN N7M461810
02.02		FLYWHEEL, BELL HOUSING & STARTER
02.03		STARTER
02.04		ALTERNATOR
02.04.01		ALTERNATOR
02.05		FAN, MUFFLER & AIR CLEANER
02.06		AIR CLEANER - DONALDSON
02.07		MUFFLER OPTIONS
02.08		RADIATOR - COOLER
02.09		FUEL TANK
03.01		FINAL DRIVE
03.02		TRANSMISSION CENTERING
03.03		HYDROSTATIC PUMP & MOTOR
03.03.01		HYDROSTATIC PUMP & MOTOR - MODELS WITH SAHR BRAKES
03.04.01		HYDROSTATIC CASE DRAIN
03.05		PISTON PUMP, FRONT
03.06		PISTON PUMP, REAR
03.07		HYDROSTATIC MOTOR
03.08.01		BRAKES
06.01.01		ELECTRIC, MAIN
06.01.01	02	ELECTRIC, MAIN
06.01.01	03	OPTIONAL ADVANCED INSTRUMENT CLUSTER
06.01.01	04	DIAGNOSTIC PLUG
06.01.02		ELECTRIC POWER KIT
06.02		ELECTRIC, CAB
06.02.01		CAB ELECTRIC - FLASHERS
06.02.02		CAB ELECTRIC, MAIN HARNESS AND FUSE BLOCK - DELUXE CAB
06.02.03		CAB ELECTRICAL, RIGHT HAND CONSOLE - DELUXE CAB
06.02.04		CAB ELECTRICAL, LEFT HAND CONSOLE - DELUXE CAB
06.02.05		CAB ELECTRICAL, LIGHTS - DELUXE CAB
06.02.06		CAB ELECTRICAL - TURN SIGNALS, DELUXE CAB

TABLE OF CONTENTS

06.03.01	02	HORN & TURN SIGNAL
06.03.01	03	Handle - DELUXE CAB
06.03.02		HORN - DELUXE CAB
06.03.03		4-WAY FLASHERS
06.03.04		BEACON KIT, DELUXE CAB
06.03.05		BEACON KIT & MISCELLANEOUS PARTS
06.03.06		ROAD & WORK LIGHT KIT
06.03.08		REAR LIGHT BAR, ON ROAD
06.03.09		REAR LIGHT ASSEMBLY - DELUXE CAB
06.03.10		FRONT HEADLAMP - DELUXE CAB
06.03.11		FRONT AND REAR WORK LIGHTS - DELUXE CAB
06.04		CHASSIS ELECTRIC
06.04	01	CHASSIS ELECTRIC, DELUXE CAB
06.04	02	CHASSIS ELECTRIC, DELUXE CAB
06.04	03	BATTERY
06.04	04	BATTERY - DELUXE CAB
06.04.01		BACK-UP ALARM KIT
06.04.01	01	BACK UP ALARM - DELUXE CAB
06.05		ENGINE ELECTRIC
06.05.01		ENGINE ELECTRIC
06.05.02		HEATER CONTROLS
07.01.01		BUCKET HYDRAULICS
07.01.03		BOOM HYDRAULICS
07.01.05		CONNECT UNDER PRESSURE COUPLERS
07.02.01		BUCKET CYLINDER
07.02.02		BOOM CYLINDER, L140
07.02.03		BOOM CYLINDER, L150
07.03		HYDRAULIC GEAR PUMP
07.04.01		CONTROL VALVE HYDRAULICS
07.04.02		CONTROL VALVE, HAND & FOOT CONTROLS
07.05		HYDRAULIC RESERVOIR, FILTER & OIL COOLER
07.09.02		BUCKET CIRCUIT CHECK VALVE
08.01.01		REAR HOOD
08.01.02		REAR HOOD
08.02		FENDERS
08.03		SLOW MOVING VEHICLE EMBLEM KIT
08.04		DECALS - MODEL (L140)
08.04.01		DECALS - MODEL (L150)
08.04.02		DECALS
08.04.03		DECALS
08.04.04		DECALS
08.05		DECALS - BOOM AND LOAD (L150)
08.05.0		DECALS - 35TH ANNIVERSARY
08.05.01		DECALS - DELUXE CAB
08.05.02		DECALS - DELUXE CAB
08.05.03		DECALS - DELUXE CAB
08.05.05		DECALS - DELUXE CAB
08.05.06		DECALS
08.06		ACOUSTICAL EQUIPMENT
08.06.01		ACOUSTICAL EQUIPMENT (IF USED)
09.01		BOOM
09.02.01		BOOM, ON ROAD EUROPE - DELUXE CAB
09.03		BOOM LOCK
09.04		MOUNTING PLATE
09.06		CLEARANCE KIT

TABLE OF CONTENTS

10.01		CAB
10.01.01		CAB
10.01.02		CAB - DELUXE CAB
10.01.03		CAB - WINDOWS AND HEADLINER, DELUXE CAB
10.01.04		CAB - INTERIOR TRIM, DELUXE CAB
10.01.05		FIRE EXTINGUISHER, MIRROR & FLOOR PLATE KITS
10.02.02		HEADLINER
10.02.04		HEADLINER, CAB HEATER, NEW STYLE (6/02-)
10.02.05		CAB - HEADLINER, DELUXE CAB
10.02.06		CAB - HEADLINER WITH HEAT, DELUXE CAB
10.02.07		CAB - TOP WINDOW, DELUXE CAB
10.03	01	CAB HEATER
10.03.01		HEATER KIT
10.03.02		CAB - HEATER SYSTEM, DELUXE CAB
10.03.03		CAB - HEATER SYSTEM, DELUXE CAB
10.04		THRESHOLD & CAB WINDOWS (EUROPE)
10.05.01		CAB ENCLOSURE KIT, DOOR FRAME & WINDOWS
10.05.02		CAB ENCLOSURE KIT, DOOR ATTACHING & WIRING
10.05.03		CAB ENCLOSURE KIT, DOOR & WIPER MOTOR
10.06		SIDE WINDOWS
10.06.01		CAB - SIDE WINDOW, LEFT HAND, DELUXE CAB
10.06.01	01	CAB - SIDE WINDOW, LEFT HAND, DELUXE CAB
10.06.01	02	CAB - SIDE WINDOW, LEFT HAND, DELUXE CAB
10.06.01	03	CAB - SIDE WINDOW, LEFT HAND ASSY, DELUXE CAB
10.06.02		CAB - SIDE WINDOW, RIGHT HAND, DELUXE CAB
10.06.02	01	CAB - SIDE WINDOW, RIGHT HAND, DELUXE CAB
10.06.02	02	CAB - SIDE WINDOW, RIGHT HAND, DELUXE CAB
10.06.02	03	CAB - SIDE WINDOW, RIGHT HAND ASSY, DELUXE CAB
10.07.01		CAB - DOOR AND FRAME, DELUXE CAB
10.07.02		CAB - DOOR, DELUXE CAB
10.07.03		CAB - DOOR FRAME, DELUXE CAB
10.07.04		CAB - DOOR KIT, DELUXE CAB
10.07.05		CAB - DEMOLITION DOOR KIT, DELUXE CAB
10.07.07		CAB - DEMOLITION DOOR, DELUXE CAB
10.07.08		DOOR - SWITCH ASSY, IF USED
10.07.09		CAB - WASHER FLUID TANK, DELUXE CAB
10.08		DEMOLITION DOOR KIT (DOOR 86593213)
10.08.01		DEMOLITION DOOR KIT (DOORS 86506544, 87052933)
10.08.01	2	CAB DOOR - GLASS
10.08.01	3	DEMOLITION DOOR- FRONT SHEET (USE WITH DOORS 86506544, 87052933)
10.09		THROTTLE CONTROL
10.09.01		THROTTLE CONTROL, DELUXE CAB
10.10		FOREARM REST
10.10.01		ARMREST - DELUXE CAB
10.11.01		SEAT, STANDARD
10.11.02		SEAT, SUSPENSION
10.11.03		SEAT BELT, 3 IN. COMBINATION - IF USED
10.11.04		ARM PAD & ARMREST KIT
10.12.01		BOOM & BUCKET FOOT CONTROL, HYDROSTATIC LEVERS
10.12.02		BOOM & BUCKET FOOT CONTROL, KICK PANEL, LH
10.12.03		BOOM & BUCKET FOOT CONTROL, KICK PANEL, RH
10.12.04		BOOM AND BUCKET FOOT CONTROL, HYDROSTATIC LEVERS - DELUXE CAB
10.12.05		BOOM AND BUCKET CONTROL, KICK PANEL RH - DELUXE CAB
10.12.06		BOOM & BUCKET FOOT CONTROL, KICK PANEL, LH - DELUXE CAB
10.15.01		BOOM & BUCKET FOOT CONTROL, PEDALS

TABLE OF CONTENTS

10.15.02	BOOM & BUCKET HAND CONTROL, PEDALS
10.15.03	BOOM & BUCKET HAND CONTROL, PEDALS; IF USED
10.16.01	BOOM & BUCKET HAND CONTROL, HYDROSTATIC LEVERS
10.16.02	BOOM & BUCKET HAND CONTROL, KICK PANEL, LH
10.16.03	BOOM & BUCKET HAND CONTROL, KICK PANEL, RH
10.16.04	BOOM & BUCKET HAND CONTROL, TUNNEL COMPONENTS
10.19	BOOM & BUCKET CONTROL, HANDLE CONTROL KIT
11.01	WHEELS & TIRES
12.01.01	CHASSIS
12.02	COUNTERWEIGHT KIT
12.02.01	COUNTERWEIGHT
18.01	CAB JACK KIT
18.02	TOOLS, THREADED INSERT
19.01	BUCKETS & DIRT TOOTH KIT
19.01.01	BUCKET, CUTTING EDGE KIT
19.02	UTILITY FORK & UNIVERSAL MOUNTING PLATE
19.03	TOOTH BARS
19.04	PALLET FORK & 2 PIECE MOUNTING ASSEMBLY
19.05	PALLET FORK & 1 PIECE MOUNTING ASSEMBLY

GENERAL INFORMATION

PROPRIETARY NOTICE

The contents of this manual are proprietary data of this company. Reproduction or use of any part for other than the operation and maintenance of our equipment is permissible only if expressly authorized in writing.

Additional copies may be obtained from your dealer. Address requests for copies to your Dealer and refer to the publication part number appearing on the bottom of the rear catalog cover or on the title page.

COMPANY POLICY

Company policy, which is one of continuous improvement, reserves the right to change prices and to make changes in design and specification at any time without notice and without obligation to modify units previously built.

All data given in this book is subject to production variations. Dimensions and weights are approximate only and the illustrations do not necessarily show machines in standard condition. For exact information about any particular machine please consult your dealer.

PARTS AND ACCESSORIES

Genuine parts and accessories have been specifically designed for these machines.

We would like to point out that “non-genuine” parts and accessories have NOT been examined and released by the Company. The installation and or use of such products could have negative effects upon the design characteristics of your machine and thereby affect its safety. The company is not liable for any damage caused by the use of “non-genuine” parts and accessories.

IMPROVEMENTS

We are continually striving to improve our products. We reserve the right to make improvements or changes when it becomes practical and possible to do so, without incurring any obligation to make changes or additions to the equipment sold previously.

MODEL CODES

The range of machines listed may not be available in all countries or markets therefore, for the latest information consult your local dealer.

OWNER ASSISTANCE

We want you to be completely satisfied with your investment. Normally any problems with your equipment will be handled by your dealer's Service Department; however, misunderstandings can occur. If your problem has not been handled to your satisfaction, we suggest the following:

1. Contact the owner or General Manager of the dealership, explain the problem, and request assistance. When additional assistance is needed, your dealer has direct access to our office.
2. Provide your dealer with:
 - Your Name, Address, and Telephone number
 - Machine Model and Serial Number
 - Dealership Name and Address
 - Machine purchase date and amount of use
 - Nature of problem

Be aware that your problem will likely be resolved in the dealership using the dealer's facilities, equipment, and personnel. So it is important that your initial contact be with the dealer.

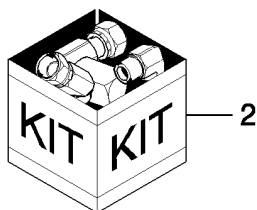
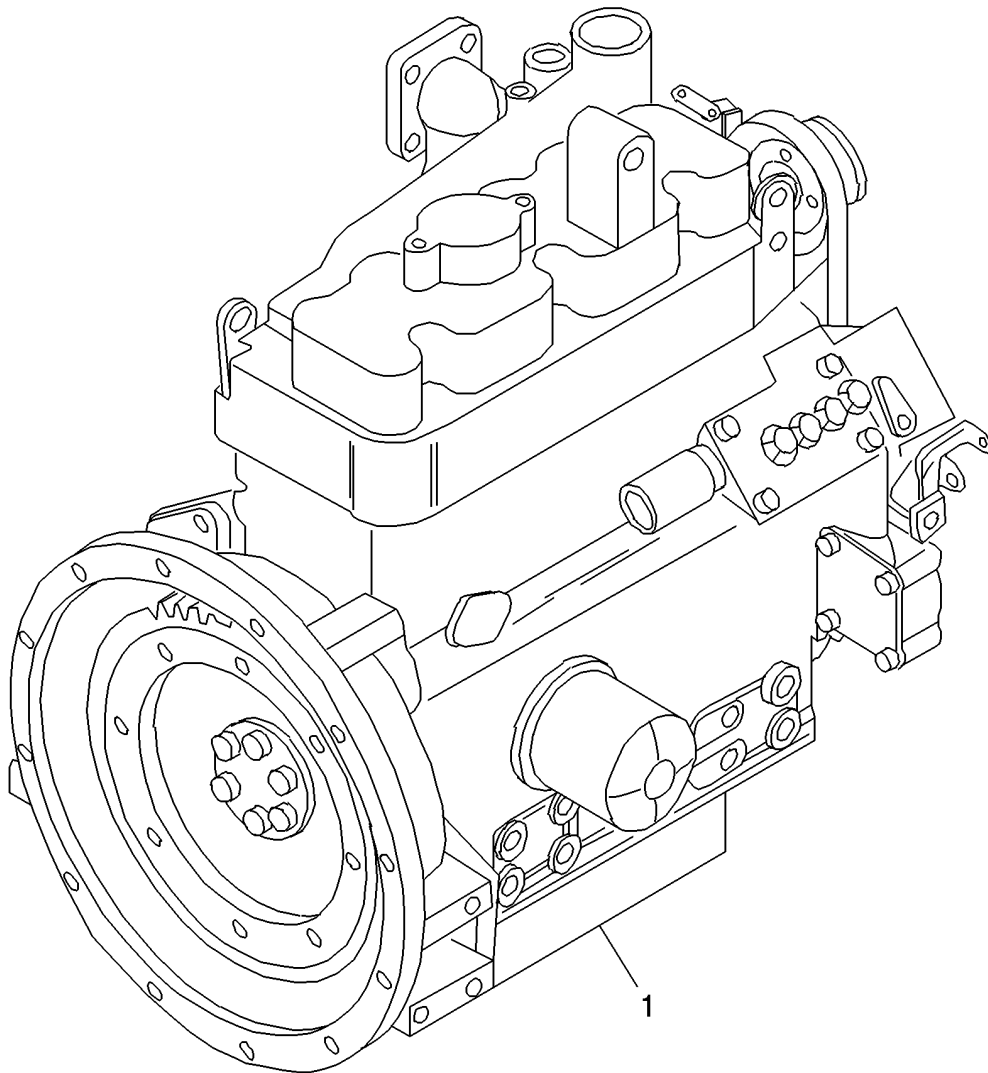
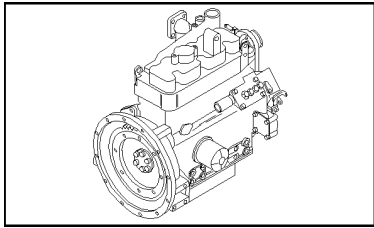
SPARE PARTS

To maintain operating efficiency, use original spare parts.

When ordering parts, give the following information:

- Machine Model
- Machine and Engine Serial Numbers
- Part Number from the Parts Catalog

ENGINE - L150 BSN N7M466068, L150 EU BSN N7M461810
MOTOR - L150 BSN N7M466068, L150 EU BSN N7M461810
MOTEUR - L150 BSN N7M466068, L150 EU BSN N7M461810
MOTOR - L150 BSN N7M466068, L150 EU BSN N7M461810



MOTORE - L150 BSN N7M466068, L150 EU BSN N7M461810
MOTOR L150 BSN N7M466068, L150 EU BSN N7M461810
MOTOR - L150 BSN N7M466068, L150 EU BSN N7M461810
MOTOR- L150 BSN N7M466068, L150 EU BSN N7M461810

R	N	P.N.	MOD	Q	Description Descrizione	Denominacion Beskrivelse	Description Denominação	Bezeichnung Beschrijving	L.C.
L150 BSN N7M466068, L150 EU BSN N7M461810									
1		87028479	a	1	ENGINE, ISM, L140 MOTORE	MOTOR MOTOR	MOTEUR MOTOR	MOTOR MOTOR	130M
1		87028480	b	1	ENGINE, ISM, L150 MOTORE	MOTOR MOTOR	MOTEUR MOTOR	MOTOR MOTOR	130M
1A		SBA139194		1	ENGINE, L140; Long Block Service Engine; Engine Does Not Include Flywheel, Starter, Flywheel Housing, Cooling Fan, Fan Pulley, Fan Belt, Fan Holder, Alternator or Mounting Parts, Exhaust Manifold or Gasket MOTORE	MOTOR MOTOR	MOTEUR MOTOR	MOTOR MOTOR	130M
1A		SBA139195		1	ENGINE, L150; Long Block Service Engine; Engine Does Not Include Flywheel, Starter, Flywheel Housing, Cooling Fan, Fan Pulley, Fan Belt, Fan Holder, Alternator or Mounting Parts, Exhaust Manifold or Gasket MOTORE	MOTOR MOTOR	MOTEUR MOTOR	MOTOR MOTOR	130M
2		SBA195906980		1	KIT, ENGINE OVERHAUL, Gaskets, L140 KIT REVISIONE MOTORE	JUEGO DE REVISION REVISIONSSAET	KIT REVISION MOTEUR KIT COMPLETO REVISAC	SATZ, MOTORÜBERHOL ONDERHOUDSKIT, MOT	002K
2		SBA195907010		1	KIT, ENGINE OVERHAUL, Gaskets, L150 KIT REVISIONE MOTORE	JUEGO DE REVISION REVISIONSSAET	KIT REVISION MOTEUR KIT COMPLETO REVISAC	SATZ, MOTORÜBERHOL ONDERHOUDSKIT, MOT	002K

(a) ASN LMU004303
(b) ASN LMU004113

Note: Basic engines and reman engines are generic engines, all parts are not supplied with the engines. Check the configuration of the engine being removed, with the configuration of the engine being installed. For any components not supplied with the engine being installed, reuse those parts from the engine that has just been removed. Do not return the old engine, until the unit is reassembled.

L150 L140

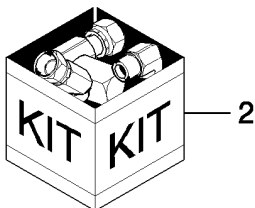
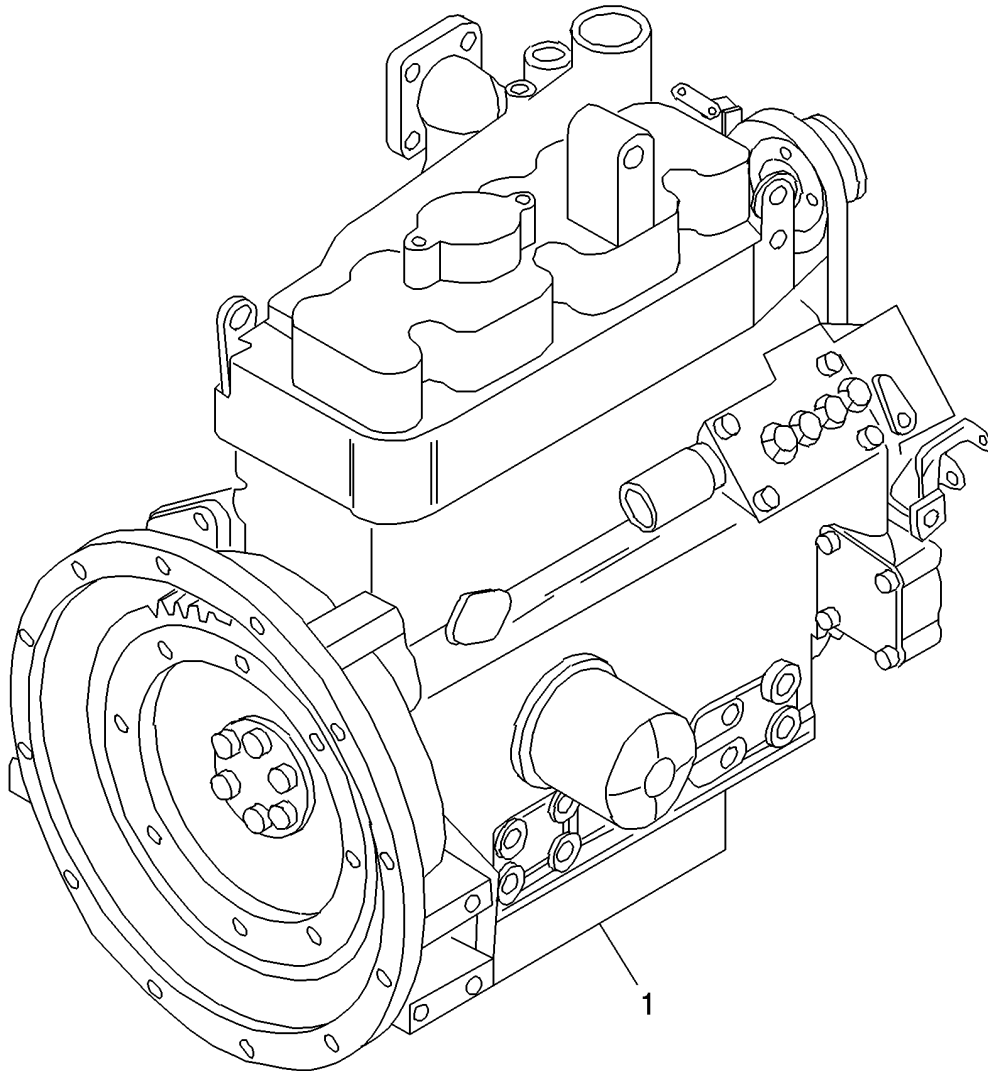
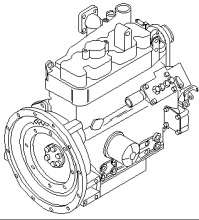
01.01

01

p1

09/07

ENGINE, L150 - L150 ASN N7M466068, L150 EU ASN N7M461810
MOTOR, L150 - L150 ASN N7M466068, L150 EU ASN N7M461810
MOTEUR, L150 - L150 ASN N7M466068, L150 EU ASN N7M461810
MOTOR, L150 - L150 ASN N7M466068, L150 EU ASN N7M461810



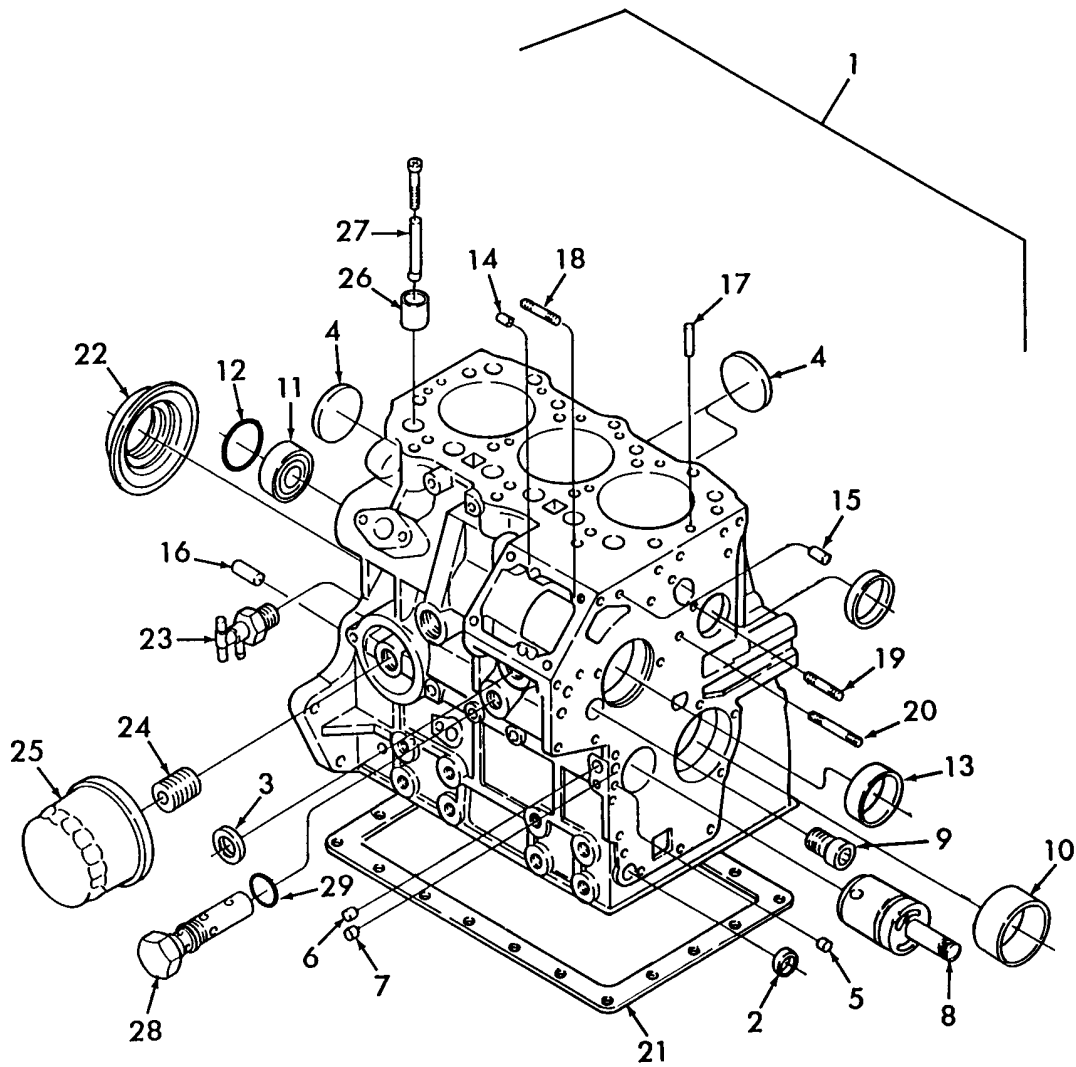
MOTORE, L150 - L150 ASN N7M466068, L150 EU ASN N7M461810
 MOTOR, L150 - L150 ASN N7M466068, L150 EU ASN N7M461810
 MOTOR, L150 - L150 ASN N7M466068, L150 EU ASN N7M461810
 MOTOR, L150 - L150 ASN N7M466068, L150 EU ASN N7M461810

R	N	P.N.	MOD	Q	Description Descrizione	Denominacion Beskrivelse	Description Denominação	Bezeichnung Beschrijving	L.C.
					L150 ASN N7M466068, L150 EU ASN N7M461810				
1		SBA139221		1	ENGINE, L150; Tier 3; Long Block	MOTOR	MOTEUR	MOTOR	130M
					MOTORE	MOTOR	MOTOR	MOTOR	
2		SBA195907010		1	KIT, ENGINE OVERHAUL, Gaskets, L150	JUEGO DE REVISION	KIT REVISION MOTEUR	SATZ, MOTORÜBERHOL	002K
					KIT REVISIONE MOTORE	REVISIONSSAET	KIT COMPLETO REVISAC	ONDERHOUDSKIT, MOT	

Note: Basic engines and reman engines are generic engines, all parts are not supplied with the engines. Check the configuration of the engine being removed, with the configuration of the engine being installed. For any components not supplied with the engine being installed, reuse those parts from the engine that has just been removed. Do not return the old engine, until the unit is reassembled.

L150

CYLINDER BLOCK - L150 BSN N7M466068, L150 EU BSN N7M461810
BLOQUE DE CILINDROS - L150 BSN N7M466068, L150 EU BSN N7M461810
BLOC MOTEUR - L150 BSN N7M466068, L150 EU BSN N7M461810
KURBELGEHÄUSE - L150 BSN N7M466068, L150 EU BSN N7M461810

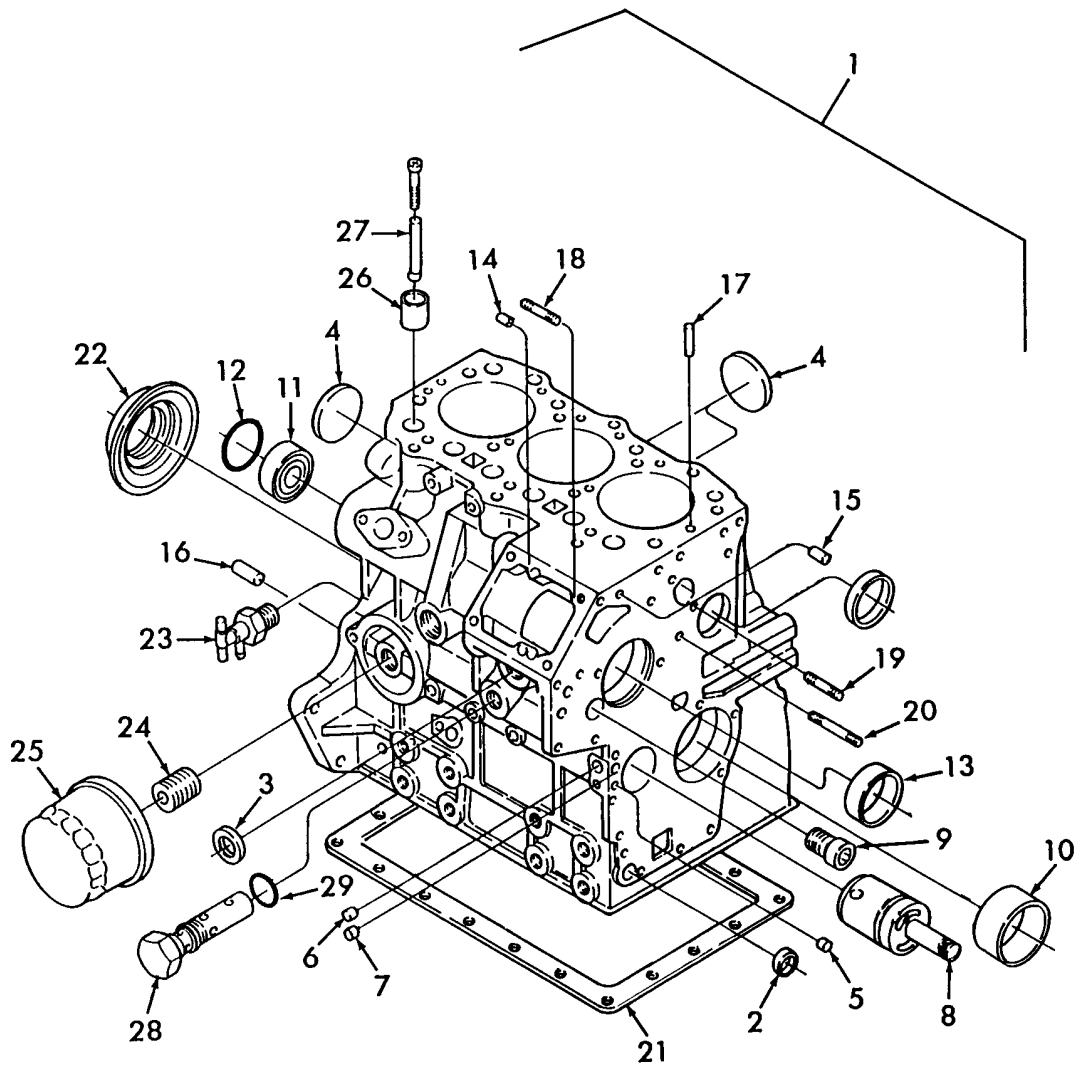


BASAMENTO MOTORE - L150 BSN N7M466068, L150 EU BSN N7M461810
KRUMTAPHUS - L150 BSN N7M466068, L150 EU BSN N7M461810
BLOCO DE MOTOR - L150 BSN N7M466068, L150 EU BSN N7M461810
MOTORBLOK - L150 BSN N7M466068, L150 EU BSN N7M461810

R	N	P.N.	MOD	Q	Description Descrizione	Denominacion Beskrivelse	Description Denominação	Bezeichnung Beschrijving	L.C.
L150 BSN N7M466068, L150 EU BSN N7M461810									
1		SBA110107363		1	BLOCK, Incl. Ref. 2 - 20; Before Engine S/N: LS140, 76992; LS150, 74975	BLOQUE MOTOR	BLOC	KLOTZ	074B
					BLOCCHETTO	STOPKLODS	BLOCO	BLOK	
2		SBA064200015		1	PLUG	TAPÓN	BOUCHON	STOPFEN	050T
					TAPPO	PROP	BUJAO	PLUG	
3		SBA064200025		1	PLUG	TAPÓN	BOUCHON	STOPFEN	050T
					TAPPO	PROP	BUJAO	PLUG	
4		SBA064210040		4	CAP	TAPON DEL DEPOSITO	CHAPEAU	ABDECKAPPE	052T
					TAPPO SERBATOIO	TANKDAEKSEL	TAMPAO DE RESERVATI	RESERVOIRDOP	
5		SBA198466010		2	PLUG	TAPÓN	BOUCHON	STOPFEN	050T
					TAPPO	PROP	BUJAO	PLUG	
5		SBA198466030		2	PLUG, 6.2mm, LS150	TAPÓN	BOUCHON	STOPFEN	050T
					TAPPO	PROP	BUJAO	PLUG	
6		SBA198466020		3	PLUG	TAPÓN	BOUCHON	STOPFEN	050T
					TAPPO	PROP	BUJAO	PLUG	
7		SBA198466030		4	PLUG	TAPÓN	BOUCHON	STOPFEN	050T
					TAPPO	PROP	BUJAO	PLUG	
7		SBA198466010		4	PLUG, LS150	TAPÓN	BOUCHON	STOPFEN	050T
					TAPPO	PROP	BUJAO	PLUG	
8		SBA165296131		1	SHAFT, Idler Gear, Uses Pin SBA140196072	EJE	ARBRE	WELLE	016A
					ALBERO	AKSEL	VEIO	AS	
9		SBA198517090		1	BUSHING, Before Engine S/N: LS140, 76992; LS150, 74975	CASQUILLO	BAGUE	BUECHSE	095B
					BOCCOLA	BOESNING	CASQUILHO	LAGERBUS	
10		SBA198517220		1	BUSHING, Std	CASQUILLO	BAGUE	BUECHSE	095B
					BOCCOLA	BOESNING	CASQUILHO	LAGERBUS	
10		SBA198517224		1	BUSHING, .1" (.25 mm), U/S	CASQUILLO	BAGUE	BUECHSE	095B
					BOCCOLA	BOESNING	CASQUILHO	LAGERBUS	
10		SBA198517227		1	BUSHING, .2" (.5 mm), U/S	CASQUILLO	BAGUE	BUECHSE	095B
					BOCCOLA	BOESNING	CASQUILHO	LAGERBUS	
11		SBA040106203		1	BEARING, BALL	RODAMIENTO DE BOLA	ROULEMENT A BILLES	KUGELLAGER	343C
					CUSCINETTO A SFERA	KUGLELEJE	ROLAMENTO	LAGER, KOGEL	
12		SBA064100045		1	PLUG, Expansion	TAPÓN	BOUCHON	STOPFEN	050T
					TAPPO	PROP	BUJAO	PLUG	
13		SBA042309013		1	BEARING ASSY	COJINETE	ROULEMENT	LAGER, KOMPLETT	341C
					CUSCINETTO	LEJE	ROLAMENTO	LAGER	
14		SBA030500612		2	PIN, Dowel	PERNO	AXE	BOLZEN	080P
					PERNO	STIFT	PERNO	PEN	
15		SBA030500616		2	PIN, Dowel	PERNO	AXE	BOLZEN	080P
					PERNO	STIFT	PERNO	PEN	
16		SBA030501025		2	PIN, Dowel	PERNO	AXE	BOLZEN	080P
					PERNO	STIFT	PERNO	PEN	
17		SBA030309005		2	PIN, Spring	PERNO	AXE	BOLZEN	080P
					PERNO	STIFT	PERNO	PEN	

L150 L140

CYLINDER BLOCK - L150 BSN N7M466068, L150 EU BSN N7M461810
BLOQUE DE CILINDROS - L150 BSN N7M466068, L150 EU BSN N7M461810
BLOC MOTEUR - L150 BSN N7M466068, L150 EU BSN N7M461810
KURBELGEHÄUSE - L150 BSN N7M466068, L150 EU BSN N7M461810



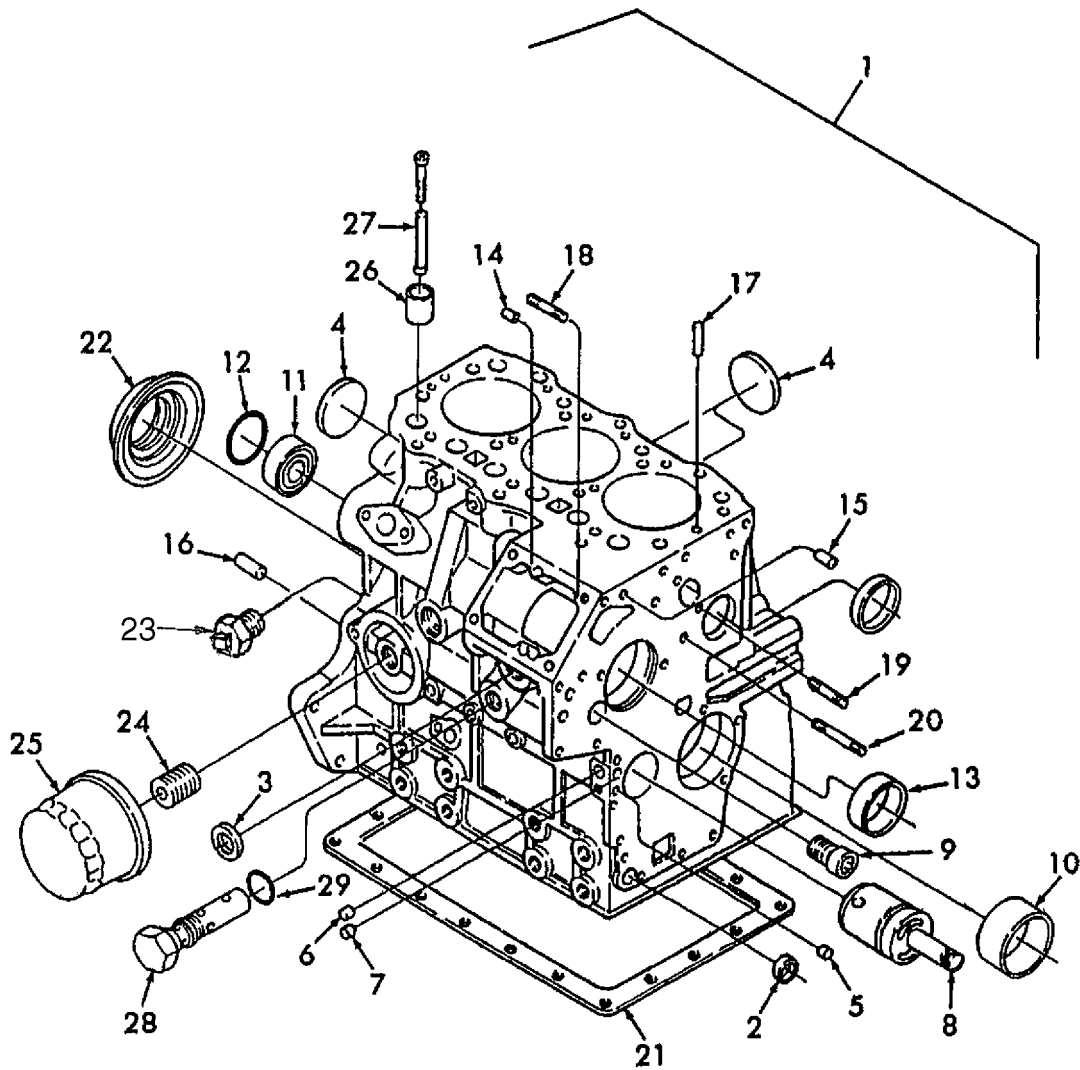
BASAMENTO MOTORE - L150 BSN N7M466068, L150 EU BSN N7M461810
KRUMTAPHUS - L150 BSN N7M466068, L150 EU BSN N7M461810
BLOCO DE MOTOR - L150 BSN N7M466068, L150 EU BSN N7M461810
MOTORBLOK - L150 BSN N7M466068, L150 EU BSN N7M461810

R	N	P.N.	MOD	Q	Description Descrizione	Denominacion Beskrivelse	Description Denominação	Bezeichnung Beschrijving	L.C.
18		SBA012110820		2	BOLT BULLONE	TORNILLO SKRUE	BOULON PARAFUSO	SCHRAUBE BOUT	140B
19		SBA012110635		1	STUD PRIGIONIERO	PRISIONERO STOETTEBOLT	GOUJON PERNE	GEWINDEBOLZEN TAPEIND	210P
20		SBA012110660		1	BOLT BULLONE	TORNILLO SKRUE	BOULON PARAFUSO	SCHRAUBE BOUT	140B
21		SBA110996820		1	GASKET GUARNIZIONE	JUNTA HERMETICA PAKNING	JOINT JUNTA	DICHTUNG, FLACH DICHTINGSSTUK	123G
22		SBA198636170		1	SEAL ANELLO DI TENUTA	ANILLO DE CIERRE PAKNINGSRING	JOINT ANEL DE VEDACAO	DICHTUNG DICHTINGSRING	132A
22		SBA050209084		1	RING, LS150 ANELLO	ANILLO RING	ANNEAU ANEL	RING RING	045A
23		SBA198736270		1	DRAINCOCK/TAP, SUPPLY RUBINETTO	GRIFO HANE	ROBINET TORNEIRA	ABLASSHAHN KRAAN	150R
24		SBA140546020		1	ADAPTER ADATTATORE	ADAPTOR ADAPTER	ADAPTEUR ADAPTOR	ADAPTER VERLOOPSTUK	001A
25		86546618		1	FILTER, ENGINE OIL FILTRO OLIO MOTORE	FILTRO DE ACEITE OLIEFILTER	FILTRE A HUILE MOTEUR FILTRO DE OLEO	MOTORÖLFILTER OLIEFILTER	067F
25		87415600	a	1	FILTER, ENGINE OIL, Replaces 86546618 FILTRO OLIO MOTORE	FILTRO DE ACEITE OLIEFILTER	FILTRE A HUILE MOTEUR FILTRO DE OLEO	MOTORÖLFILTER OLIEFILTER	067F
26		SBA120116100		6	TAPPET PUNTERIA	EMPUJADOR VENTILLOEFTER	POUSSOIR IMPULSOR	STÖSSELEINSTELLSCHF LAGER, ROL	240P
26		SBA120116160		6	TAPPET, LS150 PUNTERIA	EMPUJADOR VENTILLOEFTER	POUSSOIR IMPULSOR	STÖSSELEINSTELLSCHF LAGER, ROL	240P
27		SBA120456231		6	ROD ASTA	VARILLA STANG	TRINGLE HASTE	STAB STANG	090A
27		SBA120456250		6	ROD, PUSH, LS150 ASTA, SPINTA	VARILLA DE EMPUJE SKUBBESTANG	TIGE DE CULBUTEUR HASTE DE IMPULSO	STÖSSELSTANGE ROD, PUSH	P307
28		SBA140036220		1	VALVE, PRESSURE RELIEF VALVOLA, DI SICUREZZA	VÁLVULA, DESCARGA SIKKERHEDSVENTIL	SOUPAPE, DÉCHARGE VÁLVULA, DESCARGA	DRUCKENTLASTUNGSV OVERDRUKVENTIEL	007V
29		SBA052109078		1	O-RING ANELLO TOROIDALE	JUNTA HERMETICA O-RING	JOINT THORIQUE O-RING	O-RING O-RING	055A

(a) From 10/96

L150 L140

CYLINDER BLOCK, L150 - L150 ASN N7M466068, L150 EU ASN N7M461810
BLOQUE DE CILINDROS, L150 - L150 ASN N7M466068, L150 EU ASN N7M461810
BLOC MOTEUR, L150 - L150 ASN N7M466068, L150 EU ASN N7M461810
KURBELGEHÄUSE, L150 - L150 ASN N7M466068, L150 EU ASN N7M461810



BASAMENTO MOTORE, L150 - L150 ASN N7M466068, L150 EU ASN N7M461810
KRUMTAPHUS, L150 - L150 ASN N7M466068, L150 EU ASN N7M461810
BLOCO DE MOTOR, L150 - L150 ASN N7M466068, L150 EU ASN N7M461810
MOTORBLOK, L150 - L150 ASN N7M466068, L150 EU ASN N7M461810

R	N	P.N.	MOD	Q	Description Descrizione	Denominacion Beskrivelse	Description Denominação	Bezeichnung Beschrijving	L.C.
L150 ASN N7M466068, L150 EU ASN N7M461810									
2		SBA064200015		1	PLUG TAPPO	TAPÓN PROP	BOUCHON BUJAO	STOPFEN PLUG	050T
3		SBA064200025		1	PLUG TAPPO	TAPÓN PROP	BOUCHON BUJAO	STOPFEN PLUG	050T
4		SBA064210040		4	CAP TAPPO SERBATOIO	TAPON DEL DEPOSITO TANKDAEKSEL	CHAPEAU TAMPAO DE RESERVATI	ABDECKAPPE RESERVOIRDOP	052T
5		SBA198466010		2	PLUG TAPPO	TAPÓN PROP	BOUCHON BUJAO	STOPFEN PLUG	050T
5		SBA198466030		2	PLUG TAPPO	TAPÓN PROP	BOUCHON BUJAO	STOPFEN PLUG	050T
6		SBA198466020		3	PLUG TAPPO	TAPÓN PROP	BOUCHON BUJAO	STOPFEN PLUG	050T
7		SBA198466030		4	PLUG TAPPO	TAPÓN PROP	BOUCHON BUJAO	STOPFEN PLUG	050T
7		SBA198466010		4	PLUG TAPPO	TAPÓN PROP	BOUCHON BUJAO	STOPFEN PLUG	050T
8		SBA165296131		1	SHAFT, Idler Gear, Uses Pin SBA140196072	EJE	ARBRE	WELLE	016A
9		SBA198517090		1	ALBERO BUSHING	AKSEL CASQUILLO	VEIO BAGUE	AS BUECHSE	095B
10		SBA198517222		1	BOCCOLA BUSHING, Std	BOESNING CASQUILLO	CASQUILHO BAGUE	LAGERBUS BUECHSE	095B
10		SBA198517226		1	BOCCOLA BUSHING, .1" (.25 mm), U/S	BOESNING CASQUILLO	CASQUILHO BAGUE	LAGERBUS BUECHSE	095B
10		SBA198517229		1	BOCCOLA BUSHING, .2" (.5 mm), U/S	BOESNING CASQUILLO	CASQUILHO BAGUE	LAGERBUS BUECHSE	095B
11		SBA040106203		1	BEARING, BALL CUSCINETTO A SFERA	RODAMIENTO DE BOLA KUGLELEJE	ROULEMENT A BILLES ROLAMENTO	KUGELLAGER LAGER, KOGEL	343C
12		SBA064100045		1	PLUG, Expansion TAPPO	TAPÓN PROP	BOUCHON BUJAO	STOPFEN PLUG	050T
13		SBA042309013		1	BEARING ASSY CUSCINETTO	COJINETE LEJE	ROULEMENT ROLAMENTO	LAGER, KOMPLETT LAGER	341C
14		SBA030500612		2	PIN, Dowel PERNO	PERNO STIFT	AXE PERNO	BOLZEN PEN	080P
15		SBA030500616		2	PIN, Dowel PERNO	PERNO STIFT	AXE PERNO	BOLZEN PEN	080P
16		SBA030501025		2	PIN, Dowel PERNO	PERNO STIFT	AXE PERNO	BOLZEN PEN	080P
17		SBA030309005		2	PIN, Spring PERNO	PERNO STIFT	AXE PERNO	BOLZEN PEN	080P
18		SBA012110820		2	BOLT BULLONE	TORNILLO SKRUE	BOULON PARAFUSO	SCHRAUBE BOUT	140B
19		SBA012110635		1	STUD PRIGIONIERO	PRISIONERO STOETTEBOLT	GOUJON PERNE	GEWINDEBOLZEN TAPEIND	210P

L150

BUY NOW

**Then Instant Download
the Complete Manual
Thank you very much!**