



PARTS CATALOG

SKID STEER COMPACT TRACK LOADER

L175

C175



BD07E006

TABLE OF CONTENTS

- General Information
- Section 2 – Engine
- Section 3 – Fuel System
- Section 4 – Electrical System
- Section 6 – Power train
- Section 7 – Brakes
- Section 8 – Hydraulics
- Section 9 – Chassis/Attachments
- Index

GENERAL INFORMATION

PROPRIETARY NOTICE

The contents of this manual are proprietary data of this company. Reproduction or use of any part for other than the operation and maintenance of our equipment is permissible only if expressly authorized in writing.

Additional copies may be obtained from your dealer. Address requests for copies to your Dealer and refer to the publication part number appearing on the bottom of the rear catalog cover or on the title page.

COMPANY POLICY

Company policy, which is one of continuous improvement, reserves the right to change prices and to make changes in design and specification at any time without notice and without obligation to modify units previously built.

All data given in this book is subject to production variations. Dimensions and weights are approximate only and the illustrations do not necessarily show machines in standard condition. For exact information about any particular machine please consult your dealer.

PARTS AND ACCESSORIES

Genuine parts and accessories have been specifically designed for these machines.

We would like to point out that “non-genuine” parts and accessories have NOT been examined and released by the Company. The installation and or use of such products could have negative effects upon the design characteristics of your machine and thereby affect its safety. The company is not liable for any damage caused by the use of “non-genuine” parts and accessories.

IMPROVEMENTS

We are continually striving to improve our products. We reserve the right to make improvements or changes when it becomes practical and possible to do so, without incurring any obligation to make changes or additions to the equipment sold previously.

MODEL CODES

The range of machines listed may not be available in all countries or markets therefore, for the latest information consult your local dealer.

OWNER ASSISTANCE

We want you to be completely satisfied with your investment. Normally any problems with your equipment will be handled by your dealer's Service Department; however, misunderstandings can occur. If your problem has not been handled to your satisfaction, we suggest the following:

1. Contact the owner or General Manager of the dealership, explain the problem, and request assistance. When additional assistance is needed, your dealer has direct access to our office.
2. Provide your dealer with:
 - Your Name, Address, and Telephone number
 - Machine Model and Serial Number
 - Dealership Name and Address
 - Machine purchase date and amount of use
 - Nature of problem

Be aware that your problem will likely be resolved in the dealership using the dealer's facilities, equipment, and personnel. So it is important that your initial contact be with the dealer.

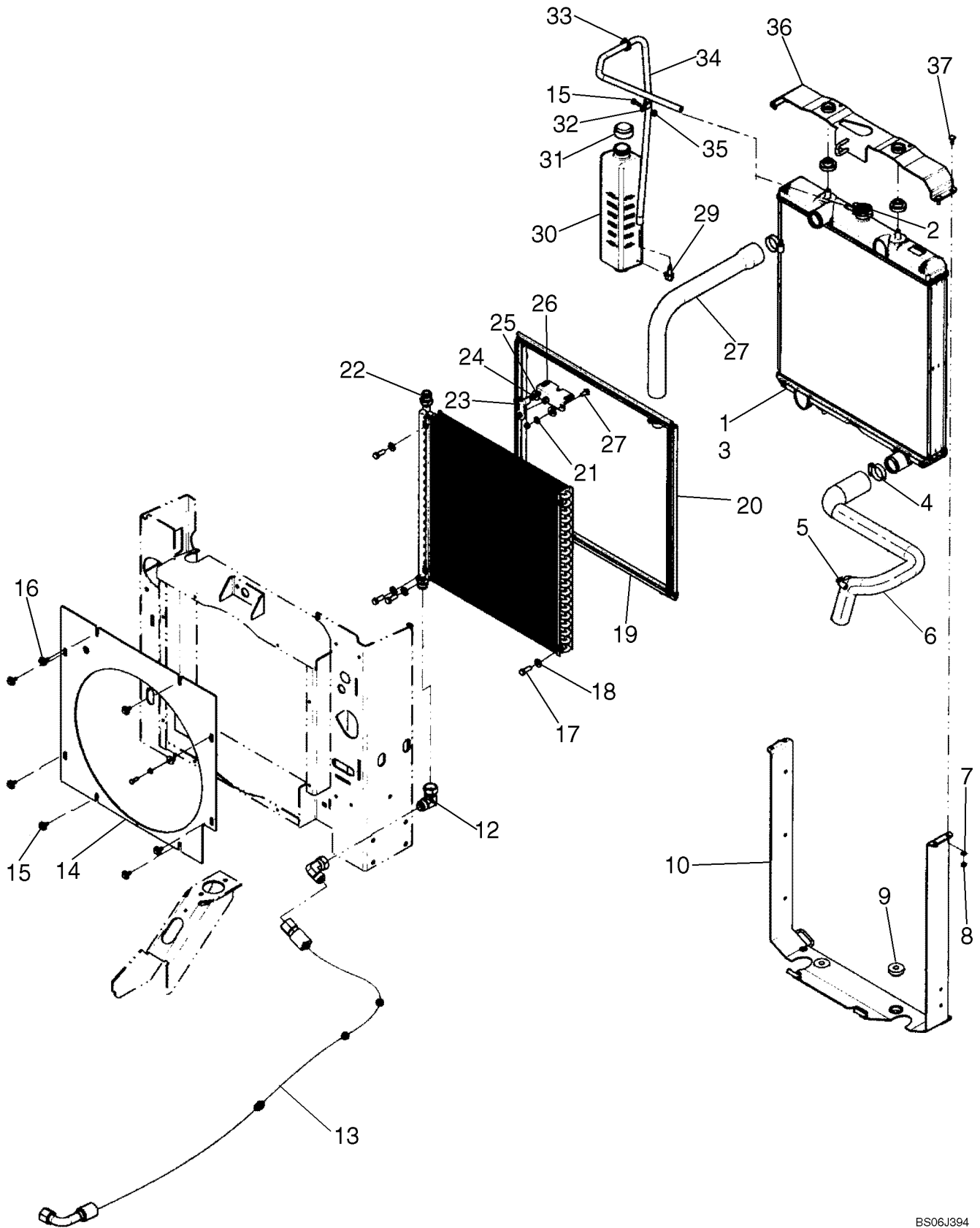
SPARE PARTS

To maintain operating efficiency, use original spare parts.

When ordering parts, give the following information:

- Machine Model
- Machine and Engine Serial Numbers
- Part Number from the Parts Catalog

RADIATOR - COOLANT RECOVERY SYSTEM
RADIADOR - SISTEMA DE RECUPERACION DEL REFRIGERANTE
RADIATEUR - CIRCUIT DE RECUPERATION DU LIQUIDE DE REFROIDISS
KÜHLER - KÜHLMITTEL-RÜCKGEWINNUNGSSYSTEM

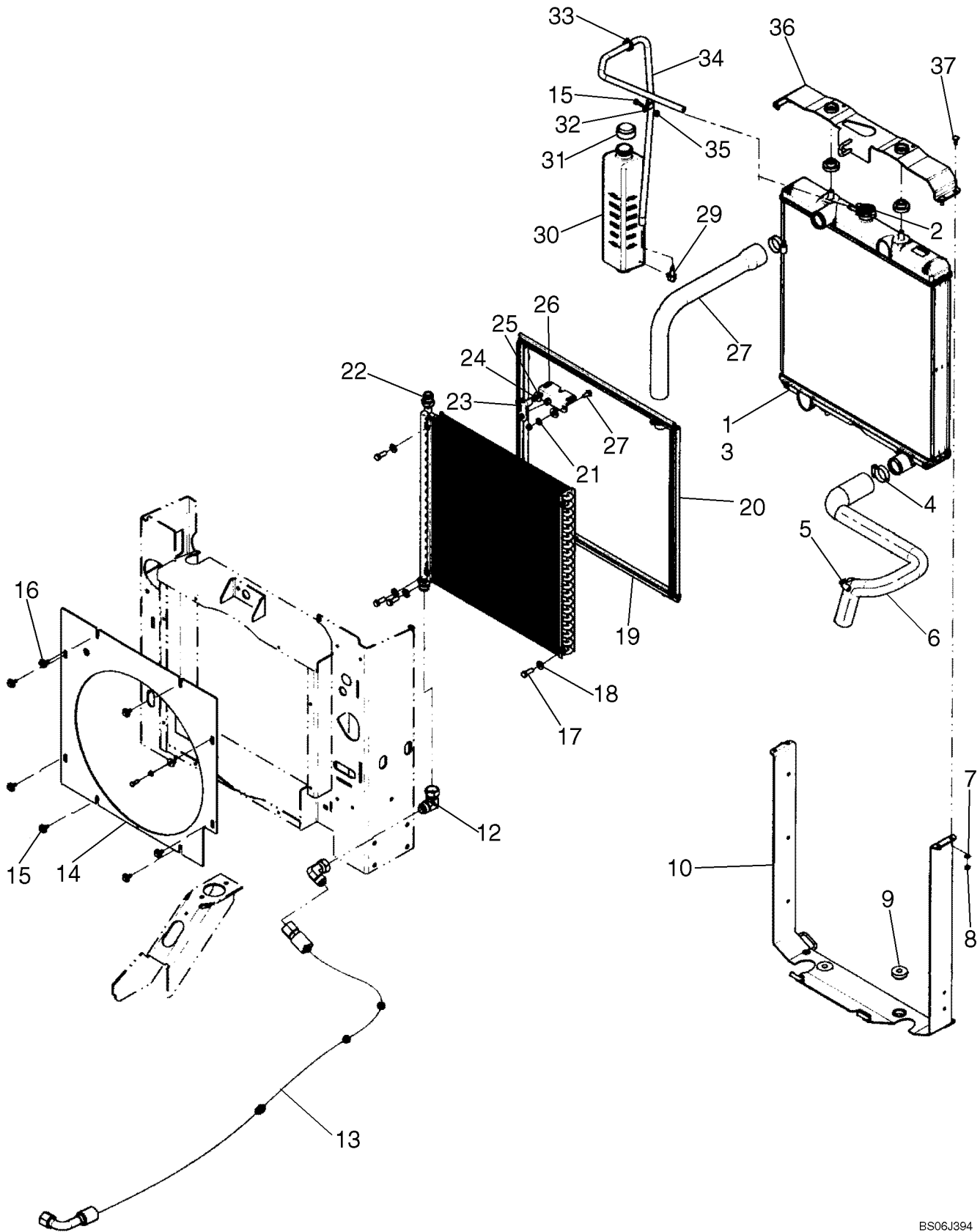


RADIATORE - SISTEMA DI RECUPERO DEL REFRIGERANTE
KØLER - KØLEMIDDELGENINDVINDINGSSYSTEM
RADIADOR - SISTEMA DE RECUPERAÇÃO DO FLUIDO DE REFRIGERAÇÃO
RADIATOR - KOELVLOEISTOFOPVANGSYSTEEM

R	N	P.N.	MOD	Q	Description Descrizione	Denominacion Beskrivelse	Description Denominação	Bezeichnung Beschrijving	L.C.
1		87013856		1	RADIATOR RADIATORE	RADIADOR KØLER	RADIATEUR ARREFECEDOR	KÜHLER RADIATORKOELER	025R
2		87032486		1	CAP, RADIATOR TAPPO RADIATORE	TAPON RADIADOR KOELERDAEKSEL	BOUCHON RADIATEUR TAMPAO	KÜHLERVERSCHLUSSDI RADIATORDOP	039T
3		87032485		1	DRAINCOCK/TAP, SUPPLY, Drain Cock; Not Illustrated	GRIFO	ROBINET	ABLASSHAHN	150R
4		86050202		2	RUBINETTO CLAMP, HOSE, #32, 1.56/2.50 Type F Worm	HANE ABRAZADERA MANGUEI	TORNEIRA	KRAAN	
5		513309		2	MORSETTO CLAMP, HOSE, #24, 1.06/2.00 Type F Worm	SLANGEKLEMME ABRAZADERA MANGUEI	BRACADEIRA MANGUEI	SCHLAUCHSCHELLE SLANGKLEM	P729
6		87360745		1	CLAMP, HOSE, #24, 1.06/2.00 Type F Worm MORSETTO	SLANGEKLEMME ABRAZADERA MANGUEI	BRACADEIRA MANGUEI	SCHLAUCHSCHELLE SLANGKLEM	P729
7		322357		12	HOSE, Lower Radiator MANICOTTO FLESSIBILE	MANGA SLANGE	FLEXIBLE TUBO FLEXIVEL	SCHLAUCH FLEXIBELE BUIS	030M
8		7770		4	WASHER, SPRING, Belleville, M6 MOLLA BELLEVILLE	ARANDELA ABANICO BELLEVILLEVASKER	RONDELLE BELLEVILLE ARRUELA MOLA	FEDERSCHEIBE WASHER, SPRING	P692
9		87017045		4	NUT, 1/4"-20, G5 DADO	TUERCA MOETRIK	ECROU PORCA	MUTTER MOER	010D
10		87393455		4	CUSHION CUSCINO	COJIN PUDE	COUSSIN COXIM	KISSEN CUSHION	2460
11		87393455		1	FRAME TELAIO	BASTIDOR RAMME	CHASSIS ESTRUTURA	GESTELL RAAM	077T
12		219603		2	ELBOW, 90°, 1 1/16"-12, 37° x 1 1/16"-12, 37° Fem Sw	CODO	COUDE	KNIESTUECK	085G
13		87043921		1	GOMITO HOSE, 1615 mm, 63.58 in. MANICOTTO FLESSIBILE	VINKELROER MANGA SLANGE	JOELHO FLEXIBLE TUBO FLEXIVEL	ELLEBOOG SCHLAUCH FLEXIBELE BUIS	030M
14		87543378		1	SHROUD, Fan RIPARO	BOQUILLA DÆKKE	BUSE COBERTURA	ABDECKUNG SHROUD	7830
15		9707580		9	BOLT, Hex, 1/4"-20 x 3/4", G5, Full Thd	TORNILLO	BOULON	SCHRAUBE	140B
16		140040		8	BULLONE WASHER, M6 x 22 x 2 ROSETTA PIANA	SKRUE ARANDELA FLADSKIVE	PARAFUSO RONDELLE ANILHA	BOUT UNTERLEGSCHIEBE SLUITRING	131R
17		88206		4	BOLT, Hex, 3/8"-16 x 1", G5, Full Thd	TORNILLO	BOULON	SCHRAUBE	140B
18		140045		4	BULLONE WASHER, SPRING, Belleville, M10	SKRUE	PARAFUSO	BOUT	
19		87016847		2	ARANDELA ABANICO MOLLA BELLEVILLE	ARANDELA ABANICO BELLEVILLEVASKER	RONDELLE BELLEVILLE ARRUELA MOLA	FEDERSCHEIBE WASHER, SPRING	P692
20		87026112		2	SEAL ANELLO DI TENUTA	ANILLO DE CIERRE PAKNINGSRING	JOINT ANEL DE VEDACAO	DICHTUNG DICHTINGSRING	132A
21		322358		2	SEAL ANELLO DI TENUTA	ANILLO DE CIERRE PAKNINGSRING	JOINT ANEL DE VEDACAO	DICHTUNG DICHTINGSRING	132A
				2	WASHER, SPRING, Belleville, M8 MOLLA BELLEVILLE	ARANDELA ABANICO BELLEVILLEVASKER	RONDELLE BELLEVILLE ARRUELA MOLA	FEDERSCHEIBE WASHER, SPRING	P692

C175 L175

RADIATOR - COOLANT RECOVERY SYSTEM
RADIADOR - SISTEMA DE RECUPERACION DEL REFRIGERANTE
RADIATEUR - CIRCUIT DE RECUPERATION DU LIQUIDE DE REFROIDISS
KÜHLER - KÜHLMITTEL-RÜCKGEWINNUNGSSYSTEM



BUY NOW

**Then Instant Download
the Complete Manual
Thank you very much!**