



PARTS CATALOG

SKID STEER

L180



BD08B676

TABLE OF CONTENTS

- General Information
- Section 2 – Engine
- Section 3 – Fuel System
- Section 4 – Electrical System
- Section 6 – Power train
- Section 7 – Brakes
- Section 8 – Hydraulics
- Section 9 – Chassis/Attachments
- Index

CNH America LLC reserves the right to make improvements in design or changes in specifications at any time without incurring any obligation to install them on units previously sold.

All data given in this publication is subject to production variations. Dimensions and weights are only approximate. Illustrations do not necessarily show products in standard condition. For exact information about any particular product, please consult your Dealer.

REVISION HISTORY			
Issue	Issue Date	Applicable Machines	Remarks
First Edition	01Nov 05	L180 Skid Steer	87359328 ML
Revision 1	01Oct 07	L180 Skid Steer	87659706 ML

TABLE OF CONTENTS

02-01	RADIATOR - COOLANT RECOVERY SYSTEM; BSN N8M464426
02-01A	FAN, RADIATOR/OIL COOLER - COOLANT RECOVERY SYSTEM; ASN N8M464426
02-01B	FAN; HIGH FLOW L180 ASN N8M464426
02-02	FAN, FAN BELT - STANDARD OIL COOLER; BSN N8M464426
02-03	EXHAUST SYSTEM; BSN N8M464426
02-03A	MUFFLER - ASPIRATED
02-03B	EXHAUST SYSTEM; ASN N8M464426
02-03C	KIT, ASPIRATOR; ASN N8M464426
02-04	AIR CLEANER - ENGINE; BSN N8M464426
02-04A	AIR CLEANER - ENGINE; ASN N8M464426
02-05	ENGINE - MOUNTING BSN N8M464426
02-05A	ENGINE - MOUNTING - NORTH AMERICA ASN N8M464426
02-05B	ENGINE - MOUNTING - EUROPE ASN N8M464426
02-06	OIL FILL, ENGINE BSN N8M464426
02-06A	OIL FILL, ENGINE ASN N8M464426
02-07	ENGINE - BLOCK HEATER; BSN N8M464426
02-07A	ENGINE - BLOCK HEATER; ASN N8M464426
02-07B	GRID HEATER; L180 BSN N8M464426
02-07C	GRID HEATER; L180 ASN N8M464426
02-08	ENGINE BSN N8M464426
02-08A	ENGINE - TIMER BSN N8M464426
02-09	CYLINDER BLOCK BSN N8M464426
02-10	CYLINDER BLOCK BSN N8M464426
02-11	OIL PUMP, PAN BSN N8M464426
02-12	CYLINDER BLOCK - COVERS BSN N8M464426
02-13	BREATHER - ENGINE BSN N8M464426
02-14	CYLINDER HEAD BSN N8M464426
02-15	CYLINDER HEAD - COVERS BSN N8M464426
02-16	CYLINDER HEAD - VALVE MECHANISM BSN N8M464426
02-17	INTAKE MANIFOLD BSN N8M464426
02-18	EXHAUST MANIFOLD BSN N8M464426
02-19	CRANKSHAFT BSN N8M464426
02-20	CONNECTING ROD BSN N8M464426
02-21	PISTON - ENGINE BSN N8M464426
02-22	FLYWHEEL - ENGINE BSN N8M464426
02-23	PULLEY - CRANKSHAFT BSN N8M464426
02-24	CAMSHAFT - TIMING CONTROL BSN N8M464426
02-26	ENGINE, OIL BSN N8M464426
02-27	OIL PUMP - ENGINE BSN N8M464426
02-28	OIL FILTERS - ENGINE BSN N8M464426
02-30	OIL FILTER AND COOLER BSN N8M464426
02-31	WATER PUMP BSN N8M464426
02-32	COOLING SYSTEM - ENGINE BSN N8M464426
02-33	THERMOSTAT - ENGINE COOLING SYSTEM BSN N8M464426
02-34	WATER PUMP - CONTROL BSN N8M464426
02-35	FAN DRIVE BSN N8M464426
02-36	POWER TAKE OFF BSN N8M464426
02-37	ENGINE - LIFT HOOK BSN N8M464426
02-38	ENGINE ASSY ASN N8M464426
02-39	CYLINDER BLOCK & RELATED PARTS ASN N8M464426
02-40	OIL SUMP & RELATED PARTS ASN N8M464426
02-41	ENGINE BLOCK FRONT COVER ASN N8M464426
02-42	FLYWHEEL CASE ASN N8M464426
02-43	ENGINE BREATHERS ASN N8M464426
02-44	CYLINDER HEAD & RELATED PARTS ASN N8M464426

TABLE OF CONTENTS

02-45	CYLINDER HEAD COVERS ASN N8M464426
02-46	ROCKER SHAFT ASN N8M464426
02-47	INTAKE MANIFOLD ASN N8M464426
02-48	HEAT EXCHANGER - ENGINE ASN N8M464426
02-49	EXHAUST MANIFOLD ASN N8M464426
02-50	CRANKSHAFT ASN N8M464426
02-51	CONNECTING ROD ASN N8M464426
02-52	PISTON - ENGINE ASN N8M464426
02-53	ENGINE - FLYWHEEL ASN N8M464426
02-54	PULLEY - CRANKSHAFT ASN N8M464426
02-55	CAMSHAFT - TIMING CONTROL ASN N8M464426
02-56	TURBOCHARGER ASN N8M464426
02-58	PUMP, ENGINE OIL & RELATED PARTS ASN N8M464426
02-59	FILTER ENGINE OIL ASN N8M464426
02-60	OIL PUMP PIPING ASN N8M464426
02-61	HEAT EXCHANGER ASN N8M464426
02-62	WATER PUMP & RELATED PARTS ASN N8M464426
02-63	PIPING - ENGINE COOLING SYSTEM ASN N8M464426
02-64	TEMPERATURE CONTROL (THERMOSTAT) ASN N8M464426
02-65	BELT PULLEY DRIVE & COVER ASN N8M464426
02-66	HOOKS - ENGINE ASN N8M464426
02-67	DIAGNOSTIC SENSOR ASN N8M464426
02-68	COMPLETION PARTS ASN N8M464426
02-69	MONITORING ELECTRICAL ACCESSORIES ASN N8M464426
03-01	FUEL TANK
03-01A	FUEL TANK - FUEL SHUT-OFF VALVE, IF USED
03-01B	FUEL TANK; L180 ASN N8M464426
03-02	CONTROLS - THROTTLE, LEFT SIDE
03-02A	CONTROLS - THROTTLE, RIGHT SIDE
03-02B	CONTROLS - THROTTLE, DELUXE CAB; IF USED, SEE REF 18
03-02C	CONTROLS - THROTTLE, DELUXE CAB; IF USED, SEE REF 18
03-03	FUEL INJECTION PUMP BSN N8M464426
03-03A	INJECTION PUMP ASN N8M464426
03-04	FUEL INJECTION SYSTEM - INJECTOR BSN N8M464426
03-04A	INJECTION EQUIPMENT - INJECTOR ASN N8M464426
03-05	INJECTION PUMP - CONTROL BSN N8M464426
03-05A	INJECTION EQUIPMENT - PIPING ASN N8M464426
03-06A	INJECTION EQUIPMENT - PIPING ASN N8M464426
03-07	FUEL INJECTION SYSTEM BSN N8M464426
03-07A	INJECTION EQUIPMENT - FUEL, RETURN ASN N8M464426
03-08	FUEL FILTER BSN N8M464426
03-08A	FUEL FILTER ASN N8M464426
03-09	FUEL PUMP BSN N8M464426
03-09A	FUEL PUMP ASN N8M464426
03-10	FUEL INJECTION SYSTEM BSN N8M464426
03-10A	PIPING - FUEL ASN N8M464426
03-11	FUEL LINES
04-01	STARTER MOUNTING - ALTERNATOR MOUNTING; L180 BSN N8M464426
04-01A	ALTERNATOR; L180 BSN N8M464426
04-01B	ENGINE, ALTERNATOR MOUNTING; L180 ASN N8M464426
04-01D	STARTER MOUNTING - ALTERNATOR MOUNTING; L180 ASN N8M464426
04-02	BATTERY - CABLES
04-02A	BATTERY - CABLES, DELUXE CAB
04-02B	BATTERY - CABLES, DELUXE CAB; L180 ASN N8M464426
04-03	ELECTRIC, CAB

TABLE OF CONTENTS

04-03A	OPTIONAL ADVANCED INSTRUMENT CLUSTER
04-03B	DIAGNOSTIC PLUG
04-03C	ELECTRIC CAB - RIGHT HAND CONSOLE, DELUXE CAB
04-03D	ELECTRIC CAB - LEFT HAND CONSOLE, DELUXE CAB; BSN N8M464426
04-03E	ELECTRIC CAB - LEFT HAND CONSOLE, DELUXE CAB; ASN N8M464426
04-03F	ELECTRIC CAB - MAIN HARNESS AND FUSE BLOCK, DELUXE CAB
04-03G	ELECTRIC CAB, HARNESS AND FUSE BLOCK (EUROPE) - DELUXE CAB
04-03H	ELECTRIC CAB, DELUXE CAB
04-03I	ELECTRIC CAB - LIGHTS, DELUXE CAB
04-03J	ELECTRIC CAB, TURN SIGNALS - DELUXE CAB
04-04	ELECTRIC, CAB - 4-WAY FLASHERS
04-05	ELECTRIC, ENGINE
04-05A	ELECTRIC, ENGINE; L180 ASN N8M464426
04-05B	SWITCH ASSY - OIL PRESSURE
04-06	ELECTRIC, MAIN
04-07	ELECTRIC, MAIN
04-08	ELECTRIC, CHASSIS
04-08A	ELECTRIC, CHASSIS - DELUXE CAB
04-09	ELECTRIC, MOUNTING PLATE
04-10	BACKUP ALARM
04-10A	BACK-UP ALARM - MODELS WITH PILOT CONTROL; IF USED
04-10B	BACK UP ALARM - MODELS WITH PILOT CONTROL; IF USED
04-10C	BACK UP ALARM - DELUXE CAB
04-11	HORN AND TURN SIGNAL
04-11A	HORN - DELUXE CAB
04-11B	ELECTRIC CAB, TURN SIGNALS - DELUXE CAB
04-12	REMOTE JUMP START (IF USED)
04-12A	REMOTE JUMP START (IF USED)
04-13	ELECTRIC POWER KIT
04-14	WARNING BEACON LIGHT
04-14A	BEACON KIT, DELUXE CAB
04-15	REAR LIGHT BAR, ON-ROAD
04-15A	REAR LIGHT BAR, ON ROAD
04-15B	REAR LIGHT ASSEMBLY - DELUXE CAB
04-16	BOOM, ON ROAD
04-16A	BOOM, ON ROAD - DELUXE CAB
04-17	FRONT HEADLAMP, ON-ROAD
04-17A	FRONT HEADLAMP WITH TURN SIGNALS, ON ROAD
04-17B	FRONT AND REAR WORK LIGHTS - DELUXE CAB
04-17C	FRONT HEADLAMP - DELUXE CAB
04-18	HARNESS, TWO SPEED
04-19	PILOT CONTROL HARNESS
04-20	LOADER LOCKOUT, PILOT CONTROLS (EUROPE)
04-21	ENGINE ELECTRIC INSTALLATION ASN N8M464426
04-22	HEAT AND AIR CONDITIONING CONTROLS; L180 ASN N8M464426
06-01	PUMP, TANDEM - MOUNTING
06-01A	HYDROSTATICS - TANDEM PUMP
06-01B	HYDROSTATICS - PUMP TO MANIFOLD
06-01C	HYDROSTATICS AND RESONATOR - TANDEM PUMP
06-02	PUMP, TANDEM - MOUNTING, MODELS WITH PILOT CONTROL
06-02A	HYDROSTATICS - PUMP TO MANIFOLD, MODELS WITH PILOT CONTROLS
06-02B	HYDROSTATICS - PUMP TO MANIFOLD, MODELS WITH PILOT CONTROLS
06-02C	HYDROSTATICS - DRIVE MOTORS TO MANIFOLD, MODELS WITH PILOT CONTROL
06-03D	HYDROSTATICS - PILOT CONTROL TO PUMP
06-03E	HYDROSTATICS - JOYSTICK VALVE KITS, ISO PATTERN, LEFT HAND

TABLE OF CONTENTS

06-03F	HYDROSTATICS - JOYSTICK VALVE KITS, ISO PATTERN, LEFT HAND
06-04	HYDROSTATICS - TWO SPEED
06-05	HYDROSTATICS - TWO SPEED, VALVE ASSY
06-06	PUMP, GEAR
06-07	PUMP, GEAR (HIGH FLOW)
06-08	MOTOR ASSY - SINGLE SPEED
06-09	MOTOR ASSY - SINGLE SPEED
06-10	MOTOR ASSY - SINGLE SPEED
06-11	MOTOR ASSY - TWO SPEED
06-12	MOTOR ASSY - TWO SPEED
06-13	MOTOR ASSY - TWO SPEED
06-14	PUMP, TANDEM
06-15	PUMP, TANDEM
06-16	PUMP, TANDEM
06-17	PUMP, TANDEM
06-18	PUMP, TANDEM
06-19	PUMP, TANDEM
06-20	FINAL DRIVE
06-21	TRANSMISSION CENTERING
06-22	WHEELS
06-23	REXROTH PUMP AA22
06-24	PRESSURE RELIEF VALVE
06-25	PRESSURE RELIEF VALVE
06-26	INTERNAL GEAR PUMP
06-27	ROTARY GROUP, RIGHT HAND ROTATION
06-28	ROTARY GROUP, LEFT HAND ROTATION
06-29	CONTROL, HYDRAULIC
06-30	CONTROL CARTRIDGE WITH ORIFICE
06-31	VALVE SECTION - LOCKING ELEMENTS
07-01	BRAKE SYSTEM - HYDRAULIC
07-01A	BRAKE SYSTEM - HYDRAULIC, MODELS WITH PILOT CONTROL
07-02	BRAKE - ON ROAD, PILOT CONTROL
08-01	CONTROL VALVE
08-01A	CONTROL VALVE, MODELS WITH PILOT CONTROL
08-01B	CONTROL VALVE, SEAL REPLACEMENT KITS
08-01C	CONTROL VALVE, SEAL KIT
08-01D	CONTROL VALVE, SPOOL END GROUP P. O.
08-01E	CONTROL VALVE, SPOOL END GROUP P. O.
08-01F	CONTROL VALVE - SPOOL END GROUP, DETENT
08-01G	CONTROL VALVE, CHECK VALVE GROUP
08-01H	CONTROL VALVE, SPOOL END GROUP P. O.
08-01J	CONTROL VALVE, PLUGS AND VALVES
08-02	HYDRAULICS - CONTROL VALVE
08-02A	HYDRAULICS - CONTROL VALVE, MODELS WITH PILOT CONTROL
08-02B	HYDRAULICS - PILOT CONTROL TO CONTROL VALVE
08-02C	HYDRAULICS - JOYSTICK VALVE KITS, ISO PATTERN, RIGHT HAND
08-03	BUCKET HYDRAULICS, STANDARD
08-04	HYDRAULICS - BUCKET, HIGH FLOW
08-05	HYDRAULICS - BOOM, STANDARD
08-06	HYDRAULICS - BOOM, HIGH FLOW
08-06A	HYDRAULICS - HIGH FLOW
08-06B	HYDRAULICS - HIGH FLOW, DELUXE CAB; L180 BSN N8M464426
08-06C	HYDRAULICS - HIGH FLOW
08-06D	HYDRAULICS - HIGH FLOW, DELUXE CAB; L180 ASN N8M464426
08-07	HYDRAULICS - HIGH FLOW, PILOT CONTROL; L180 BSN N8M464426

TABLE OF CONTENTS

08-07A	HYDRAULICS - HIGH FLOW, PILOT CONTROL; L180 ASN N8M464426
08-08	CONTROL VALVE HYDRAULICS, MODELS WITH PILOT CONTROL, EH AUX CONTROL
08-08A	CONTROL VALVE, MODELS WITH PILOT CONTROL, EH AUX CONTROL
08-08B	CONTROL VALVE EH PLUMBING, MODELS WITH PILOT CONTROL, EH AUX CONTROL
08-09	HYDRAULIC OIL COOLER - HIGH FLOW
08-09A	HYDRAULIC OIL COOLER - HIGH FLOW, PILOT CONTROL
08-09B	HYDRAULICS - OIL COOLER BYPASS; L180 ASN N8M464426
08-10	VALVE ASSY, CONTROL - HAND CONTROL
08-10A	CONTROL VALVE ASSY - HAND CONTROL
08-11	VALVE ASSY, CONTROL - FOOT CONTROL
08-11A	VALVE ASSY, CONTROL - SEAL REPLACEMENT KITS
08-12	VALVE ASSY, HIGH FLOW
08-12A	VALVE ASSY, HIGH FLOW
08-12C	CONTROL VALVE ASSY
08-13	HYDRAULICS - MOUNTING PLATE; IF USED
08-13A	HYDRAULIC MOUNT PLATE SHIELD KIT
08-14	VALVE ASSY - MOUNTING PLATE
08-15	HYDRAULICS - MOUNTING PLATE, WITHOUT HIGH FLOW
08-15A	HYDRAULICS - MOUNTING PLATE CONVERSION, WITHOUT HIGH FLOW
08-15B	HYDRAULICS - MOUNTING PLATE, WITHOUT HIGH FLOW (IF USED)
08-16	HYDRAULICS - MOUNTING PLATE, HIGH FLOW
08-16A	HYDRAULICS - MOUNTING PLATE CONVERSION, HIGH FLOW
08-17	CYLINDER ASSY - MOUNTING PLATE
08-18	BUCKET CYLINDER
08-19	BOOM CYLINDER
08-20	FILTER AND RESERVOIR; L180 BSN N8M464426
08-20A	FILTER AND RESERVOIR; L180 ASN N8M464426
08-21	FILTER ASSY
08-22	CONNECT UNDER PRESSURE COUPLERS
08-23	SECONDARY FRONT AUXILIARY
08-23A	SECONDARY FRONT AUXILIARY - DELUXE CAB
08-24	SECONDARY REAR AUXILIARY
08-24A	SECONDARY REAR AUXILIARY - DELUXE CAB
08-25	SECONDARY AUXILIARY - VALVE ASSY
08-26	CONTROL VALVE - SEAL REPLACEMENT KITS
08-27	CONTROL VALVE - SEAL KIT
08-28	CONTROL VALVE - MAIN RELIEF VALVE
08-29	CONTROL VALVE - SPOOL END GROUP, DETENT
08-30	CONTROL VALVE - SPOOL END GROUP
08-31	CONTROL VALVE - SPOOL END GROUP
08-32	CONTROL VALVE - CHECK VALVE GROUP
08-33	CONTROL VALVE - SPOOL END GROUP, DETENT
08-34	CONTROL VALVE - SPOOL END GROUP
08-34A	CONTROL VALVE - SPOOL END GROUP
08-35	CONTROL VALVE - SPOOL END GROUP
08-36	CONTROL VALVE - SEAL REPLACEMENT KITS
08-37	CONTROL VALVE - SEAL KIT
08-38	CONTROL VALVE - MAIN RELIEF VALVE
08-39	CONTROL VALVE, PLUGS AND VALVES
08-40	CONTROL VALVE, CHECK VALVE GROUP
08-41	CONTROL VALVE - SPOOL END GROUP, DETENT
08-42	CONTROL VALVE, SPOOL END GROUP P. O.
08-43	CONTROL VALVE, SPOOL END GROUP P. O.

TABLE OF CONTENTS

08-44	CONTROL VALVE, SPOOL END GROUP P. O.
08-45	CONTROL VALVE - SPOOL END GROUP
08-46	CONTROL VALVE - CHECK VALVE GROUP
08-47	CONTROL VALVE - SPOOL END GROUP, DETENT
08-48	CONTROL VALVE - SPOOL END GROUP, DETENT
08-49	CONTROL VALVE 87658052 - SEAL REPLACEMENT KITS
08-50	CONTROL VALVE, SPOOL END GROUP EHPV
08-51	CONTROL VALVE, SPOOL END GROUP EHPV
09-01	CHASSIS; BSN N8M464426
09-01A	CHASSIS; ASN N8M464426
09-02	PLATES, FLOOR
09-02A	FIRE EXTINGUISHER & INSIDE REAR-VIEW MIRROR
09-03	MOUNTING PLATE
09-04	BOOM
09-04A	CLEARANCE KIT
09-05	BOOM LOCK
09-05A	BOOM FLOAT KIT
09-06	BUCKETS - LOADER, DIRT / FOUNDRY
09-07	BUCKETS - LOADER, EXTENDED LOW PROFILE
09-08	BUCKETS - LOADER, UTILITY / LIGHT MATERIAL
09-09	BUCKETS - LOADER, MANURE / SLURRY
09-09A	BUCKET, CUTTING EDGE
09-09B	BUCKET, CUTTING EDGE KIT
09-10	PALLET FORK
09-11	FENDERS
09-11A	REAR FENDERS
09-12	CAB
09-12A	CAB - RIGHT HAND THROTTLE
09-12B	CAB - DELUXE CAB
09-12C	CAB - INTERIOR TRIM, MANUAL CONTROLS, DELUXE CAB
09-12D	CAB - INTERIOR TRIM, PILOT CONTROLS, DELUXE CAB
09-13	THRESHOLD - REAR WINDOW
09-13A	CAB - THRESHOLD, DELUXE CAB
09-13B	CAB - THRESHOLD/WASHER FLUID TANK, DELUXE CAB
09-14	CAB - WINDOWS
09-14A	CAB - WINDOWS AND HEADLINER, DELUXE CAB
09-14B	CAB - SIDE WINDOW, LEFT HAND, DELUXE CAB
09-14C	CAB - SIDE WINDOW, RIGHT HAND, DELUXE CAB
09-14D	CAB - TOP WINDOW, DELUXE CAB
09-14E	CAB - SIDE WINDOW ASSY, LEFT HAND, DELUXE CAB
09-14F	CAB - SIDE WINDOW, LEFT HAND ASSY, DELUXE CAB
09-14G	CAB - SIDE WINDOW, LEFT HAND ASSY, DELUXE CAB
09-14H	CAB - SIDE WINDOW, RIGHT HAND, DELUXE CAB
09-14I	CAB - SIDE WINDOW, RIGHT HAND ASSY, DELUXE CAB
09-14J	CAB - SIDE WINDOW, RIGHT HAND ASSY, DELUXE CAB
09-15	CAB DOOR
09-16	CAB DOOR - WIPER
09-17	CAB DOOR
09-17A	CAB - DOOR AND FRAME, DELUXE CAB
09-17B	CAB - DOOR, DELUXE CAB
09-17C	CAB - DOOR FRAME, DELUXE CAB
09-17D	CAB - DOOR KIT, DELUXE CAB
09-17E	DOOR - SWITCH ASSY
09-18	DEMOLITION DOOR
09-18A	CAB - DEMOLITION DOOR KIT, DELUXE CAB

TABLE OF CONTENTS

09-18B	CAB - DEMOLITION DOOR AND FRAME, DELUXE CAB
09-18C	CAB - DEMOLITION DOOR, DELUXE CAB
09-19	DOOR, REAR; L180 BSN N8M464426
09-19A	DOOR, REAR; L180 ASN N8M464426
09-20	REAR HOOD; L180 BSN N8M464426
09-20A	REAR HOOD; L180 ASN N8M464426
09-21	CAB HEADLINER
09-21A	CAB - HEADLINER, DELUXE CAB
09-21B	CAB HEADLINER, DELUXE OPEN CAB
09-22	HEADLINER, CAB HEATER
09-23	HEATER SYSTEM
09-23A	HEATER SYSTEM, DELUXE CAB; L180 BSN N8M464426
09-23B	HEATER SYSTEM, DELUXE CAB; L180 ASN N8M464426
09-24	CAB HEATER
09-24A	CAB HEATER, DELUXE CAB
09-25	HEATER AND AIR CONDITIONING; L180 BSN N8M464426
09-25A	HEATER AND AIR CONDITIONING SYSTEM, DELUXE CAB; L180 BSN N8M464426
09-25B	HEATER AND AIR CONDITIONING; L180 ASN N8M464426
09-25C	HEATER AND AIR CONDITIONING SYSTEM; L180 ASN N8M464426
09-26	COMPRESSOR - CONDENSER, MODELS WITH AIR CONDITIONING
09-27	HEADLINER, MODELS WITH AIR CONDITIONING
09-28	AIR CONDITIONING ASSY
09-28A	HEATER AND AIR CONDITIONING UNIT, DELUXE CAB
09-29	HAND CONTROL - LEVERS
09-29B	HAND CONTROL - PILOT CONTROL, UPPER RH
09-29C	HAND CONTROL - PILOT CONTROL, UPPER RH
09-29D	HAND CONTROL - PILOT CONTROL, UPPER LH
09-29E	HAND CONTROL - PILOT CONTROL, UPPER LH
09-30	HAND CONTROL - KICK PANEL
09-31	HAND CONTROL - KICK PANEL
09-32	HAND CONTROL - TUNNEL COMPONENTS
09-32A	HAND CONTROL - TUNNEL COMPONENTS, PILOT CONTROL
09-33	HAND CONTROL - PEDALS; IF USED
09-33A	HAND CONTROL - PEDALS; IF USED
09-33B	PEDALS - MODELS WITH PILOT CONTROL
09-33C	FOOT THROTTLE KIT; BSN N8M464426
09-33D	FOOT THROTTLE KIT; ASN N8M464426
09-35	FOOT CONTROL - LEVERS
09-36	FOOT CONTROL - KICK PANEL, RIGHT HAND
09-37	FOOT CONTROL - KICK PANEL, LEFT HAND
09-38A	MULTI-FUNCTION HANDLE, LH
09-38B	MULTI-FUNCTION HANDLE - CONTROL
09-39	HANDLE, CONTROL, RIGHT HAND
09-39A	HANDLE, CONTROL, LEFT HAND
09-39B	HANDLE, LEFT HAND
09-39C	HANDLES, CONTROL - MODELS WITH PILOT CONTROL
09-40	PEDAL ASSY
09-41	SEAT ASSY, STANDARD
09-41A	SEAT ASSY, STANDARD
09-42	SEAT ASSY, SUSPENSION
09-42A	SEAT ASSY, SUSPENSION
09-43	SEAT BELT, STANDARD
09-44	SEAT BELT
09-44A	SEAT BELTS, OPTIONAL
09-44B	SEAT BELT, 3 IN. COMBINATION - IF USED

TABLE OF CONTENTS

09-44C	SEAT BELT, LAP BELT
09-45	FOREARM REST
09-45A	ARMREST - MODELS WITH PILOT CONTROL
09-45B	ARMREST - DELUXE CAB
09-46	COUNTERWEIGHT
09-46A	SLOW MOVING VEHICLE EMBLEM KIT
09-46B	MISCELLANEOUS PARTS, ON-ROAD
09-46C	CAB JACK KIT
09-46D	MANUAL COMPARTMENT LOCK & FIRE EXTINGUISHER, EUROPE
09-47	NOISE CONTROL BSN N8M464426
09-47A	NOISE CONTROL ASN N8M464426
09-47B	NOISE CONTROL, MUFFLER ASN N8M464426
09-48	ACOUSTICAL EQUIPMENT - DELUXE CAB
09-48A	ACOUSTICAL EQUIPMENT - PILOT CONTROL CONSOLE
09-49	DECALS - MODEL
09-50	DECALS
09-51	DECALS
09-52	DECALS
09-53	DECALS - PILOT CONTROLS
09-54	DECALS, THROTTLE
09-55	DECALS - CONTROLS
09-56	DECALS - DELUXE CAB
09-57	DECALS - DELUXE CAB
09-58	DECALS - DELUXE CAB
09-59	DECALS - BOOM AND LOAD (DELUXE CAB)
09-60	DECALS - 35TH ANNIVERSARY
09-61	DECALS

GENERAL INFORMATION

PROPRIETARY NOTICE

The contents of this manual are proprietary data of this company. Reproduction or use of any part for other than the operation and maintenance of our equipment is permissible only if expressly authorized in writing.

Additional copies may be obtained from your dealer. Address requests for copies to your Dealer and refer to the publication part number appearing on the bottom of the rear catalog cover or on the title page.

COMPANY POLICY

Company policy, which is one of continuous improvement, reserves the right to change prices and to make changes in design and specification at any time without notice and without obligation to modify units previously built.

All data given in this book is subject to production variations. Dimensions and weights are approximate only and the illustrations do not necessarily show machines in standard condition. For exact information about any particular machine please consult your dealer.

PARTS AND ACCESSORIES

Genuine parts and accessories have been specifically designed for these machines.

We would like to point out that “non-genuine” parts and accessories have NOT been examined and released by the Company. The installation and or use of such products could have negative effects upon the design characteristics of your machine and thereby affect its safety. The company is not liable for any damage caused by the use of “non-genuine” parts and accessories.

IMPROVEMENTS

We are continually striving to improve our products. We reserve the right to make improvements or changes when it becomes practical and possible to do so, without incurring any obligation to make changes or additions to the equipment sold previously.

MODEL CODES

The range of machines listed may not be available in all countries or markets therefore, for the latest information consult your local dealer.

OWNER ASSISTANCE

We want you to be completely satisfied with your investment. Normally any problems with your equipment will be handled by your dealer's Service Department; however, misunderstandings can occur. If your problem has not been handled to your satisfaction, we suggest the following:

1. Contact the owner or General Manager of the dealership, explain the problem, and request assistance. When additional assistance is needed, your dealer has direct access to our office.
2. Provide your dealer with:
 - Your Name, Address, and Telephone number
 - Machine Model and Serial Number
 - Dealership Name and Address
 - Machine purchase date and amount of use
 - Nature of problem

Be aware that your problem will likely be resolved in the dealership using the dealer's facilities, equipment, and personnel. So it is important that your initial contact be with the dealer.

SPARE PARTS

To maintain operating efficiency, use original spare parts.

When ordering parts, give the following information:

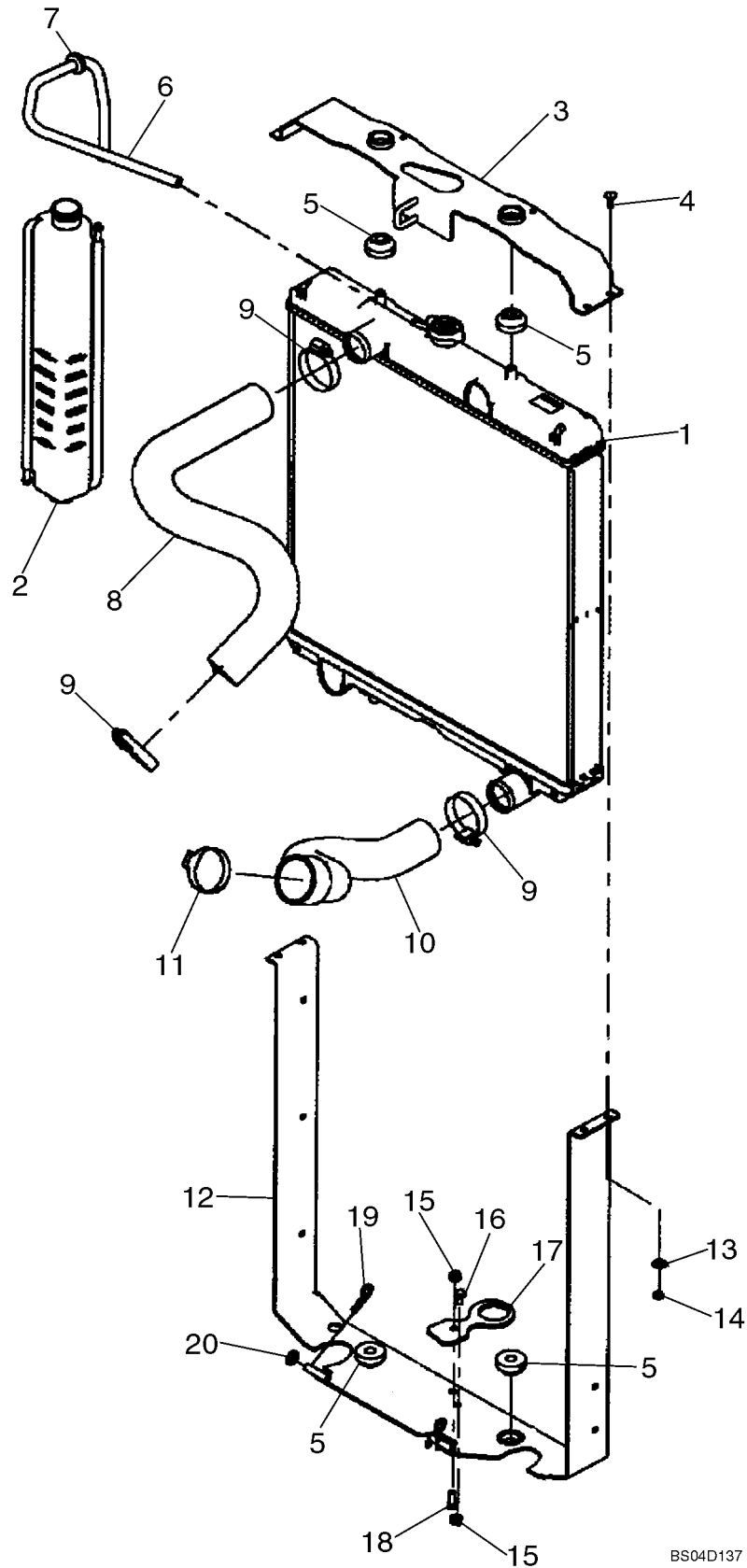
- Machine Model
- Machine and Engine Serial Numbers
- Part Number from the Parts Catalog

RADIATOR - COOLANT RECOVERY SYSTEM; BSN N8M464426

RADIADOR - SISTEMA DE RECUPERACION DEL REFRIGERANTE; BSN N8M464426

RADIATEUR - CIRCUIT DE RECUPERATION DU LIQUIDE DE REFROIDISS; BSN N8M464426

KÜHLER - KÜHLMITTEL-RÜCKGEWINNUNGSSYSTEM; BSN N8M464426



RADIATORE - SISTEMA DI RECUPERO DEL REFRIGERANTE; BSN N8M464426
KØLER - KØLEMIDDELGENINDVINDINGSSYSTEM; BSN N8M464426
RADIADOR - SISTEMA DE RECUPERAÇÃO DO FLUIDO DE REFRIGERAÇÃO; BSN N8M464426
RADIATOR - KOELVLOEISTOFOPVANGSYSTEEM; BSN N8M464426

R	N	P.N.	MOD	Q	Description Descrizione	Denominacion Beskrivelse	Description Denominação	Bezeichnung Beschrijving	L.C.
1		87013856		1	RADIATOR, Incl. 1A, 1B RADIATORE	RADIADOR KØLER	RADIATEUR ARREFECEDOR	KÜHLER RADIATORKOELER	025R
1A		87032485		1	DRAINCOCK/TAP, SUPPLY, Drain; Not Illustrated	GRIFO	ROBINET	ABLASSHAHN	150R
1B		87032486		1	RUBINETTO CAP, RADIATOR, Not Illustrated	HANE	TORNEIRA	KRAAN	
2		87020980		1	TAPPO RADIATORE RESERVOIR, COOLANT EXPNSN, Coolant Recovery; Incl. Cap 257884A1	KOELERDAEKSEL	BOUCHON RADIATEUR TAMPAO	KÜHLERVERSCHLUSSDI RADIATORDOP	039T
		257884A1		1	SERBATOIO A DEPRESS PLUG TAPPO	VAKUMTANK TAPÓN PROP	RESERVOIR DEPRESSE BOUCHON BUJAO	KÜHLMITTELAUSGLEICH- STOPFEN PLUG	117S 6400
3		87459340		1	FRAME, Upper Radiator; Component Parts Not Serviced Separately	ESTRUCTURA	CHASSIS	RAHMENGESTELL	072I
4		280638		4	INTELAIATURA BOLT, CARRIAGE, Short NK, 1/4"-20 x 3/4", G5, Full Thd	CHASSIS	CHASSIS	KADER	
5		87017045		4	BULLONE TESTA TONDA CUSHION	PERNO, CABEZA ROND/ BOLT, CARRIAGE	BOULON TETE BOMBEE PARAFUSO	FLACHRUNDSCHRAUBE BOLT, CARRIAGE	P123
6		87044030		1	CUSCINO HOSE, Coolant Recovery	COJIN MANGA	COUSSIN FLEXIBLE	KISSEN SCHLAUCH	2460 030M
7		86502507		1	MANICOTTO FLESSIBILE GROMMET, 5/8 ID	SLANGE PASACABLES	TUBO FLEXIVEL PASSE-FIL	FLEXIBELE BUIS TÜLLE	131A
8		87038470		1	ANELLO PASSACAVO HOSE, LARGE, Upper Radiator	RING	CASQUILHO ISOLADOR	KABELDOORGANG	
9		86050202		3	Manguito TUBO FLESSIBILE, GRDE CLAMP, HOSE, #32, 1.56/2.50 Type F Worm	SLANGE, STOR	Durite MANGOTE	SCHLAUCH, GROSS SLANG, GROOT	Z336
10		87038471		1	MORSETTO HOSE, LARGE, Lower Radiator	ABRAZADERA MANGUEI SLANGKLEMME	BRIDE, FLEXIBLE BRACADEIRA MANGUEI	SCHLAUCHSCHELLE SLANGKLEM	P729
11		45014		1	Manguito TUBO FLESSIBILE, GRDE CLAMP, HOSE, #40, 2.06/3.00 Type F Worm	SLANGE, STOR	Durite MANGOTE	SCHLAUCH, GROSS SLANG, GROOT	Z336
12		87393455		1	MORSETTO FRAME, Lower Radiator; Replaces 87459339	ABRAZADERA MANGUEI SLANGKLEMME	BRIDE, FLEXIBLE BRACADEIRA MANGUEI	SCHLAUCHSCHELLE SLANGKLEM	P729
13		322357		4	TELAIO WASHER, SPRING, Belleville, M6	BASTIDOR RAMME	CHASSIS ESTRUTURA	GESTELL RAAM	077T
14		7770		4	ARANDELA ABANICO MOLLA BELLEVILLE	ARRUELA ABANICO BELLEVILLEVASKER	RONDELLE BELLEVILLE ARRUELA MOLA	FEDERSCHEIBE WASHER, SPRING	P692
15		280736		2	NUT, 1/4"-20, G5 DADO NUT, LOCK, 5/16"-18, GC, If Used	TUERCA MOETRIK	ECROU PORCA	MUTTER MOER	010D
					CONTRADADO CONTRA TUERCA NUT, LOCK	CONTRA TUERCA NUT, LOCK	CONTRE-ECROU CONTRA PORCA	SICHERUNGSMUTTER NUT, LOCK	P263

BSN N8M464426

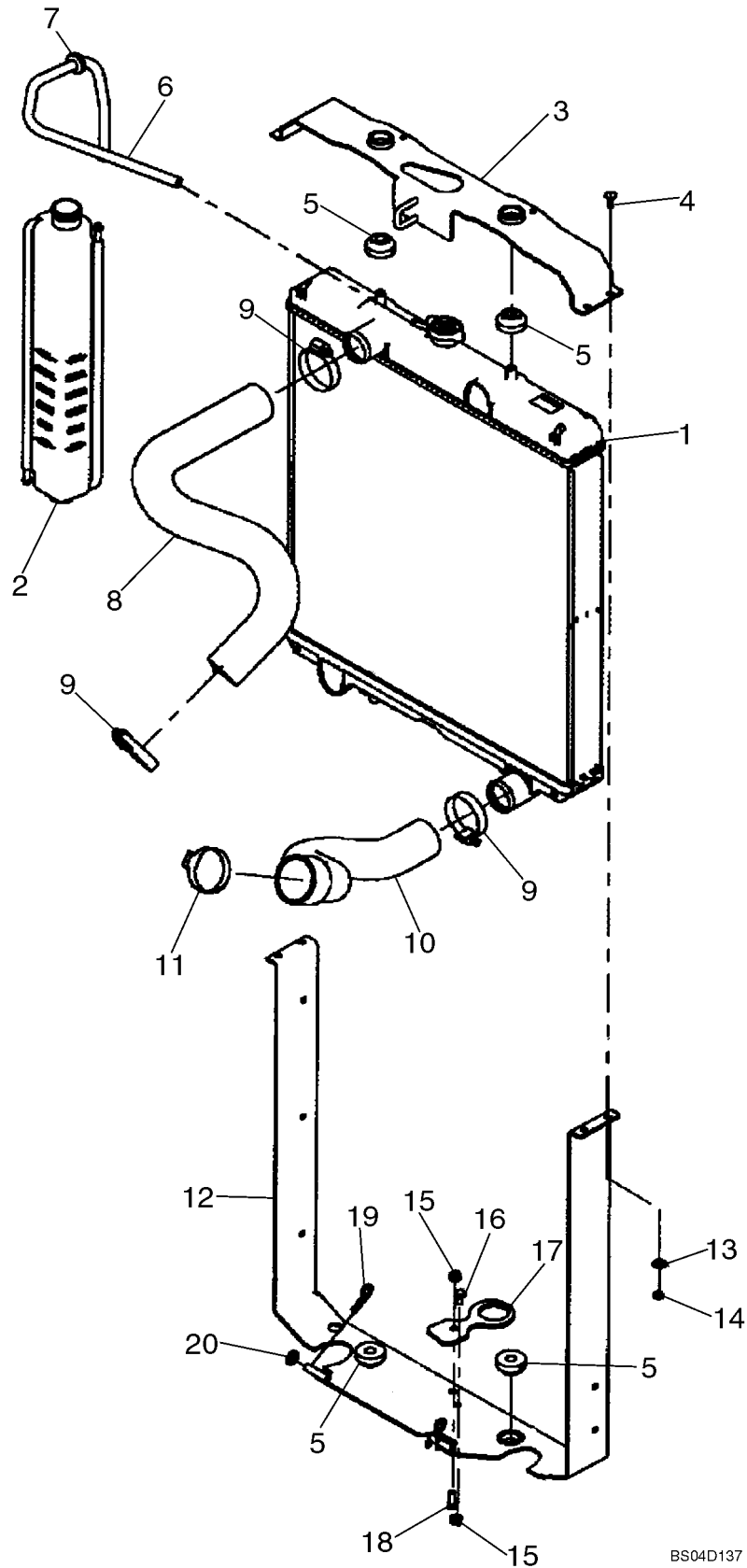
L180

RADIATOR - COOLANT RECOVERY SYSTEM; BSN N8M464426

RADIADOR - SISTEMA DE RECUPERACION DEL REFRIGERANTE; BSN N8M464426

RADIATEUR - CIRCUIT DE RECUPERATION DU LIQUIDE DE REFROIDISS; BSN N8M464426

KÜHLER - KÜHLMITTEL-RÜCKGEWINNUNGSSYSTEM; BSN N8M464426



RADIATORE - SISTEMA DI RECUPERO DEL REFRIGERANTE; BSN N8M464426
 KØLER - KØLEMIDDELGENINDVINDINGSSYSTEM; BSN N8M464426
 RADIADOR - SISTEMA DE RECUPERAÇÃO DO FLUIDO DE REFRIGERAÇÃO; BSN N8M464426
 RADIATOR - KOELVLOEISTOFOPVANGSYSTEEM; BSN N8M464426

R	N	P.N.	MOD	Q	Description Descrizione	Denominacion Beskrivelse	Description Denominação	Bezeichnung Beschrijving	L.C.
16		88574		1	BOLT, Hex, 5/16"-18 x 1/2", G5, Full Thd, If Used BULLONE	TORNILLO SKRUE	BOULON PARAFUSO	SCHRAUBE BOUT	140B
17		87038914		1	PLATE, Pull; If Used PIASTRA	PLACA PLADE	PLAQUE CHAPA	BLECH, PLATTE PLAAT	105P
18		87872		1	BOLT, Hex, 5/16"-18 x 3/4", G5, Full Thd, If Used BULLONE	TORNILLO SKRUE	BOULON PARAFUSO	SCHRAUBE BOUT	140B
19		216698		2	PIN, SPLIT (COTTER), If Used COPPIGLIA	PASADOR ABIERTO SPLITBOLT	GOUPILLE TROCO DE ABRIR	SPLINT SPLITPEN	270C
20		86624176		2	WASHER, M10 x 20 x 2, If Used ROSETTA PIANA	ARANDELA FLADSKIVE	RONDELLE ANILHA	UNTERLEGSCHIEBE SLUITRING	131R

BSN N8M464426

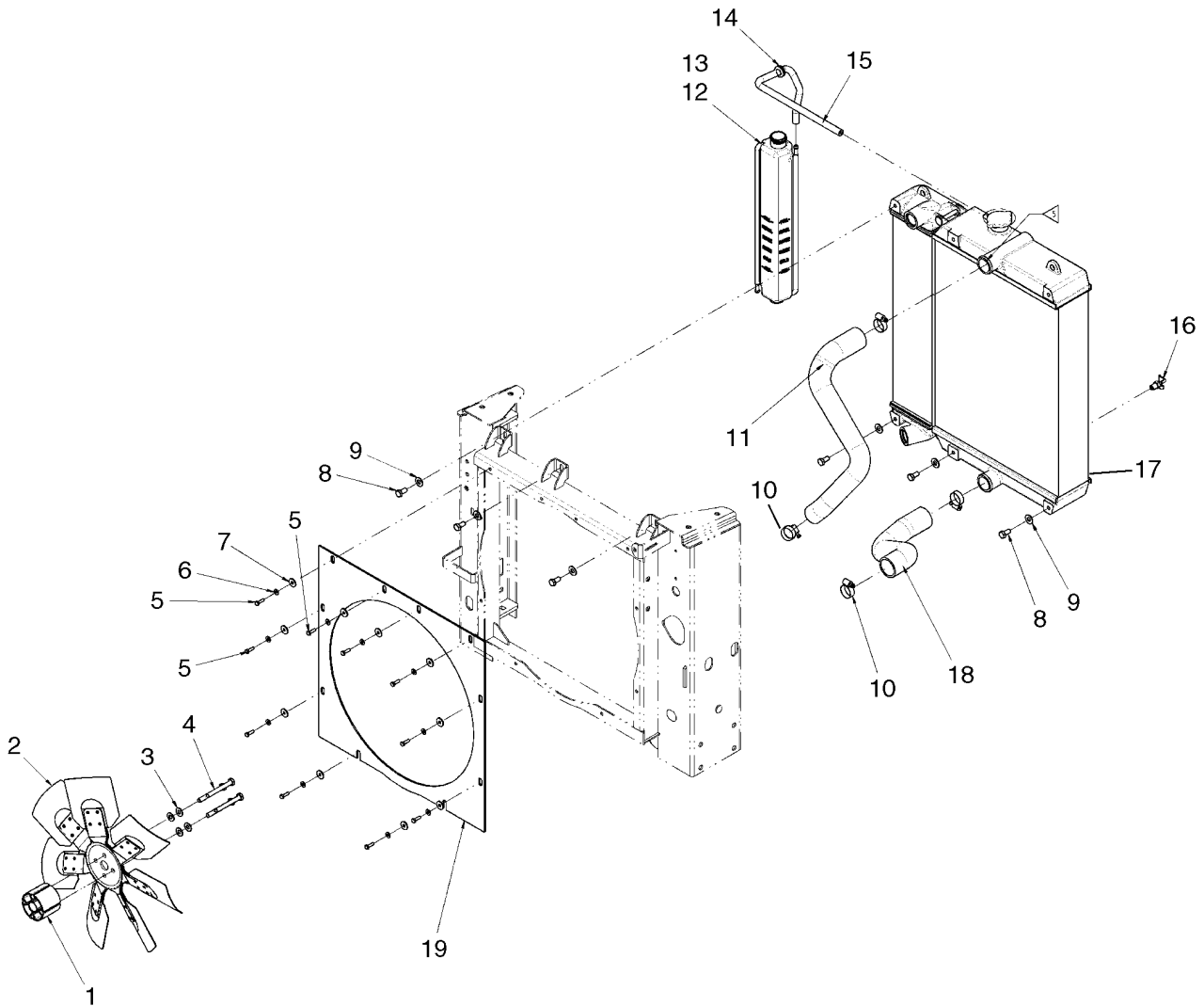
L 180

FAN, RADIATOR/OIL COOLER - COOLANT RECOVERY SYSTEM; ASN N8M464426

VENTILADOR, RADIADOR - SISTEMA DE RECUPERACION DEL REFRIGERANTE; ASN N8M464426

VENTILATEUR, RADIATEUR - CIRCUIT DE RECUPERATION DU LIQUIDE DE REFROIDISSEMENT; ASN N8M464426

LÜFTER, KÜHLER - KÜHLMITTEL-RÜCKGEWINNUNGSSYSTEM; ASN N8M464426



BUY NOW

**Then Instant Download
the Complete Manual
Thank you very much!**