
TABLE OF CONTENTS

00.100	2990672000	BASIC MACHINE
01.100	2990704001	FRAME BASIC MACHINE WITH MOUNT. PARTS
01.400	2990703000	FRONT FRAME WITH MOUNT. PARTS
01.450	2987275000	JOINT PARTS FRAME
01.500	2990702000	REAR FRAME WITH MOUNT. PARTS
01.680	2988691000	WHEEL COVER INSTALL.MATERIAL
01.682	2988693000	WHEEL COVER
01.810	2991947000	STEPS INSTALL.MATERIAL
02.002	2988457001	AXLES ASSEMBLY SET STANDARD
02.002	2988458001	AXLES ASSEMBLY SET SELF-LOCKING
02.005	2987276000	AXLES COMPLETE STANDARD
02.005	2988207000	AXLES COMPLETE SELF-LOCKING
02.020	2987279001	SWING AXLE INSTALL.MATERIAL STANDARD
02.020	2987281000	SWING AXLE INSTALL.MATERIAL STANDARD
02.020	2988208000	SWING AXLE INSTALL.MATERIAL SELF-LOCKING
02.020	2988209000	SWING AXLE INSTALL.MATERIAL SELF-LOCKING
02.021	2987282000	SWING AXLE MOUNTING PARTS STANDARD
02.021	2988210000	SWING AXLE MOUNTING PARTS SELF-LOCKING
02.022	2987283000	SWING AXLE STANDARD
02.022	2988211000	SWING AXLE SELF-LOCKING
02.023	2988730000	SWING AXLE HOUSING
02.060	2988143001	RIGID AXLE INSTALL.MATERIAL STANDARD
02.061	2988144001	RIGID AXLE MOUNTING PARTS STANDARD
02.062	2988145000	RIGID AXLE STANDARD
02.063	2988320000	RIGID AXLE HOUSING
02.100	2987595001	AXLES FAST GEAR
02.101	2987076002	RIGID AXLE MOUNTING PARTS FAST GEAR
02.101A	2987076002	RIGID AXLE MOUNTING PARTS FAST GEAR
02.102	2988459001	AXLES ASSEMBLY SET FAST GEAR
02.110	2987073002	RIGID AXLE FAST GEAR FAST GEAR
02.112	2988306000	FRONT AXLE FAST GEAR
02.113	2988307000	FRONT AXLE FAST GEAR HOUSING
02.118	2988310000	SERVICE BRAKE FAST GEAR FRONT
02.210	2987596000	REAR AXLE FAST GEAR SELF-LOCKING
02.211	2987597000	REAR AXLE FAST GEAR SELF-LOCKING
02.212	2987598000	REAR AXLE FAST GEAR SELF-LOCKING
02.213	2987592000	REAR AXLE FAST GEAR SELF-LOCKING
02.214	2988743000	REAR AXLE FAST GEAR HOUSING
02.220	2988311000	WHEEL HUB
02.220	2988312000	WHEEL HUB
02.220	2988321000	WHEEL HUB
02.220	2988733000	WHEEL HUB REAR
02.220	2988734000	WHEEL HUB PLANETARY GEAR
02.220	2988739000	WHEEL HUB REAR
02.220	2988740000	WHEEL HUB PLANETARY GEAR
05.090	2988004001	WHEELS INSTALL.MATERIAL 365/80R20
05.090	2988017001	WHEELS INSTALL.MATERIAL 375/75R20 X
05.090	2988018001	WHEELS INSTALL.MATERIAL 405/70R20 E
05.090	2988021001	WHEELS INSTALL.MATERIAL 14.5-20MPT
05.090	2988125001	WHEELS INSTALL.MATERIAL 405/70 R20
05.090	2990668000	WHEELS INSTALL.MATERIAL 405/70 R20E
05.090	2990688000	WHEELS INSTALL.MATERIAL 335/80 R20
05.100	2941655000	WHEELS 365/80R20 E
05.100	2988019000	WHEELS 375/75R20 X
05.100	2988020000	WHEELS 405/70R20 E

TABLE OF CONTENTS

05.100	2988022000	WHEELS 14.5-20MPT
05.100	2988138000	WHEELS 405/70 R20
05.100	2990669000	WHEELS 405/70 R20E
05.100	2990689000	WHEELS 335/80 R20
05.130	2991109000	TRACK EXTENSION 100MM
07.010	2987280000	PROP SHAFT INSTALL.MATERIAL STANDARD
07.010	2987589001	PROP SHAFT INSTALL.MATERIAL FAST GEAR
10.100	2987410001	HYD. OIL TANK INSTALL.MATERIAL
10.102	2988029000	HYD. OIL TANK
10.102	2988030000	HYD. OIL TANK
10.202	2987090000	FUEL TANK
12.010	2990698000	BALLAST INSTALL.MATERIAL
12.040	2987594000	REAR WEIGHT INSTALL.MATERIAL
13.011	2987277002	MOTOR MOUNTING PARTS STANDARD
13.110	2486328001	REGULATION MOTOR SPEED (OPTION)
13.220	2987270000	EXHAUST SYSTEM INSTALL.MATERIAL
13.222	2987654000	EXHAUST SYSTEM
13.230	2987623000	INTAKE SYSTEM INSTALL.MATERIAL
13.300	2987269005	FUEL SYSTEM
15.120	2987067000	COOLING SYSTEM ENGINE OIL INSTALL.MATERIAL
15.121	2987087002	COMB. COOL. SYST. WATER/OIL MOUNTING PARTS
15.122	2988638000	RADIATOR ENGINE OIL
16.082	2988736001	TRANSFER GEARBOX
16.082	2988744001	TRANSFER GEARBOX FAST GEAR
16.082	2988745001	TRANSFER GEARBOX FAST GEAR
16.600	2988308000	DIFFERENTIAL
16.600	2988309000	DIFFERENTIAL
16.600	2988731000	DIFFERENTIAL
16.600	2988732000	DIFFERENTIAL
16.610	2988741000	DIFFERENTIAL SELF-LOCKING REAR
17.102	2987085000	COUPLING/CLUTCH
19.202	2988313000	SERVICE BRAKE FRONT AXLE
20.005	2988467000	HYDRAULIC SYSTEM AXLES FAST GEAR
20.010	2987273001	HYDRAULIC SYSTEM BASIC MACHINE
20.100	2988106001	HYDRAULIC SYSTEM DRIVING
20.100	2988109001	HYDRAULIC SYSTEM DRIVING FAST GEAR
20.500	2988108000	HYDRAULIC SYSTEM WORK
20.520	2988484000	RIDECONTROL COMPLETE
20.521	2988485000	HYDRAULIC SYSTEM RIDECONTROL
20.522	2988486000	ELECTRICAL SYSTEM RIDECONTROL
20.530	2988107001	HYDRAULIC SYSTEM STEERING
20.535	2988110000	HYDRAULIC SYSTEM EMERGENCY-STEERIN FAST GEAR
20.540	2987408002	HYDRAULIC SYSTEM BRAKE
20.540	2988115001	HYDRAULIC SYSTEM BRAKE FAST GEAR
20.540	2988217002	HYDRAULIC SYSTEM BRAKE
20.560	2990501000	HYDRAULIC SYSTEM QUICK-HITCH
20.570	2716843001	HYDRAULIC SYSTEM ADDITIONAL FUNCT.
22.050	2987624000	GEAR PUMP INSTALL.MATERIAL
22.050	2987625000	GEAR PUMP INSTALL.MATERIAL
22.052	2812203000	COUPLING/CLUTCH
22.052	2989723000	GEAR PUMP
22.052	2989724000	GEAR PUMP
22.060	2987629000	AXIAL PISTON PUMP INSTALL.MATERIAL
22.062	2987730000	AXIAL PISTON PUMP
22.064	2988404000	DRIVE DEVICE PUMP

TABLE OF CONTENTS

22.066	2812201000	REGULATION PUMP
22.120	2987599000	AXIAL PISTON MOTOR INSTALL.MATERIAL
22.120	2988212000	AXIAL PISTON MOTOR INSTALL.MATERIAL
22.124	2902030000	DRIVE DEVICE HYDRAULIC MOTOR
22.126	2988372000	REGULATION HYDRAULIC MOTOR CONTROL UNIT
22.126	2988373000	REGULATION HYDRAULIC MOTOR CONTROL UNIT
22.126	2988377000	REGULATION HYDRAULIC MOTOR LID
22.126	2988401000	REGULATION HYDRAULIC MOTOR
22.126	2988402000	REGULATION HYDRAULIC MOTOR CONTROL UNIT
22.130	2989695000	GEAR MOTOR FAN
22.220	2939514002	HYDRAULIC FILTER
22.300	2989883000	PRESS.ACCUMULATOR EMERGENCY-STEERIN
22.420	2988487000	VALVE BLOCK INSTALL.MATERIAL
22.422	2988488000	VALVE BLOCK
22.430	2812202000	DISTRIBUTOR PLATE PUMP INSTALL.MATERIAL
23.010	2988380000	HYDRAULIC SYSTEM VALVES SOLENOID VALVE
23.032	2811644001	PRESS.REL.VALVE
23.032	2903785000	PRESS.REL.VALVE
23.032	2989727000	PRESS.REL.VALVE
23.060	2812166000	FEED. PRESS. VALVE
23.091	2988215001	STEERING VALVE MOUNTING PARTS
23.092	2716715000	STEERING VALVE
23.110	2811655000	VALVE MAX. LOAD CONTROL
23.142	2811662000	STOP VALVE
23.142	2811663002	STOP VALVE
23.192	2811653000	SWITCH-OVER VALVE
23.211	2988119001	SHIFT VALVE MOUNTING PARTS
23.212	2989878000	SHIFT VALVE
23.265	2944932001	PRESSUR.SWITCH
23.265	2988460000	PRESSUR.SWITCH OPERATORS CAB
23.611	2990070000	CONTROL BLOCK MOUNTING PARTS
23.611	2990428000	CONTROL BLOCK MOUNTING PARTS
24.010	2783942001	CYLINDER INSTALL.MATERIAL QUICK-HITCH
24.062	2487417001	DUMP CYLINDER
24.072	2990736000	LIFT CYLINDER
24.082	2990737000	TIP CYLINDER
24.122	2987650000	STEERING CYLINDER
24.122	4532257000	STEERING CYLINDER
24.122A	2991436000	STEERING CYLINDER
24.320	2487363000	CYLINDER QUICK-HITCH
24.320	2942621001	CYLINDER QUICK-HITCH
26.082	2988234001	BRAKE VALVE
27.010	2990949001	HEATING INSTALLATION HP (OPTION)
27.011	2988891001	HEATING MOUNTING PARTS
27.011	2988892001	HEATING MOUNTING PARTS HP (OPTION)
27.400	2988655001	AIR CONDITION INSTALL.MATERIAL
27.400	2991308001	AIR CONDITION INSTALL.MATERIAL (OPTION)
27.401	2988893001	AIR CONDITION MOUNTING PARTS
27.420	2988477000	LIQUEFIER INSTALL.MATERIAL
27.450	2988483001	COMPRESSOR INSTALL.MATERIAL AIR CONDITION
32.010	2987071000	ELECTRICAL SYSTEM BASIC MACHINE COMPLETE
32.130	2987291001	ELECTRICAL SYSTEM FRONT CARRIAGE
32.133	2987732000	CABLE HARNESS FRONT CARRIAGE
32.140	2987290000	ELECTRICAL SYSTEM REAR CARRIAGE
32.142	2987292000	CABLE HARNESS INSTALL.MATERIAL REAR CARRIAGE

TABLE OF CONTENTS

32.143	2987293000	CABLE HARNESS REAR CARRIAGE
32.143	2987733000	CABLE HARNESS REAR CARRIAGE FAST GEAR
32.152	2990013000	CENTRAL ELECTRONIC RELAY CIRCUIT BOA
32.170	2987294000	BATTERY INSTALL.MATERIAL
32.175	2990441000	MAIN SWITCH BATTERY INSTALL.MATERIAL
32.176	2941508000	MAIN SWITCH BATTERY
32.201	2984501002	ILLUMINATION FRONT MOUNTING PARTS LEFT-HAND
32.201	2984502002	ILLUMINATION FRONT MOUNTING PARTS RIGHT-HAND
32.210	2987295001	ILLUMINATION REAR INSTALL.MATERIAL
32.220	2988203000	TAILLIGHT BRAKE LIGHT
32.225	2988204000	REVERSING LIGHT TURN SIGNAL LIGHT
32.242	2990491000	LIC. PLATE LIGHT
32.243	2990492000	CABLE HARNESS LIC. PLATE LIGHT
32.273	2990471001	AIR CONDITION CABLE HARNESS (OPTION)
32.405	2988466000	DASHBOARD
32.405	2988469000	DASHBOARD FAST GEAR
32.405	2990002000	DASHBOARD
32.452	2990076000	GEARSHIFT LEVER
32.500	2988468000	ELECTRICAL SYSTEM OPERATORS CAB FAST GEAR
32.500	2988920000	ELECTRICAL SYSTEM OPERATORS CAB
32.500	2989844002	ELECTRICAL SYSTEM OPERATORS CAB
32.510	2989997001	CABLE HARNESS OPERATORS CAB KABINE
32.512	2989998000	OPERATORS CAB CABLE HARNESS BASE
32.514	2989999001	OPERATORS CAB CABLE HARNESS ROOF
32.520	2988792002	HEADLIGHT OPERATORS CAB INSTALL.MATERIAL REAR
32.522	2990556000	HEADLIGHT
32.592	2783610002	RADIO
32.592	2988775000	RADIO
32.740	2990727000	HEADLIGHT INSTALL.MATERIAL
32.753	2987734000	CABLE HARNESS RIDECONTROL
32.850	2988774001	BEACON LIGHT INSTALL.MATERIAL
32.852	2940767000	BEACON LIGHT
32.870	2988778000	SIGNAL INSTALL.MATERIAL SHIFTABLE
32.870	2989807000	SIGNAL INSTALL.MATERIAL PERMANENT
32.871	2988779000	SIGNAL CONTROL PANEL BACKUP SIGNAL
32.880	2990725000	ANTI-THEFT DECICE INSTALL.MATERIAL
32.882	2991164000	ANTI-THEFT DECICE ELECTRICAL SYSTEM
32.884	2991165000	ANTI-THEFT DECICE CABLE HARNESS
34.002	2988652000	OPERATORS CAB ASSEMBLY SET HEATING
34.002	2988653000	OPERATORS CAB ASSEMBLY SET AIR CONDITION
34.002	2988657000	OPERATORS CAB ASSEMBLY SET
34.005	2988649000	CAB MODULE HEATING
34.005	2988654000	CAB MODULE AIR CONDITION
34.005	2988658000	CAB MODULE HEIZUNG HP
34.010	2987272000	CAB MODULE INSTALL.MATERIAL
34.012	2988651000	CAB MODULE HEATING
34.012	2988656000	CAB MODULE AIR CONDITION
34.012	2988660000	CAB MODULE
34.021	2989697003	OPERATORS CAB MOUNTING PARTS
34.021	2989698004	OPERATORS CAB MOUNTING PARTS
34.130	2989696002	CONTROL COLUMN INSTALL.MATERIAL
34.220	2989830003	CAB DOOR
34.230	2989699001	GLAZING OPERATORS CAB
34.236	2990728000	SKYLIGHT WINDOW (OPTION) (S/N 534501-UP)
34.282	2989832002	SIDE DOOR RIGHT-HAND (S/N 534501-UP)

TABLE OF CONTENTS

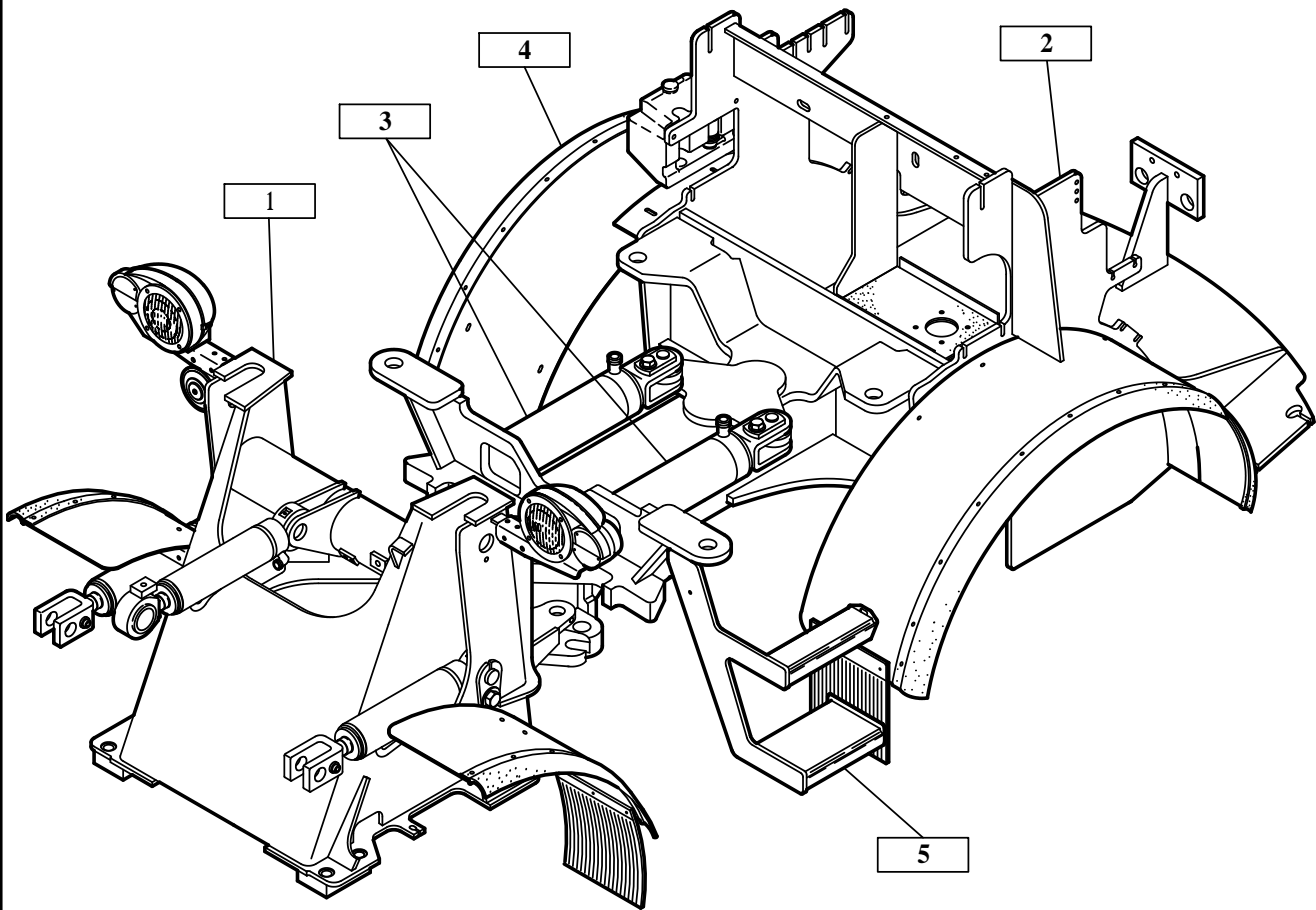
34.500	2988720000	OPERATORS SEAT INSTALL.MATERIAL MECHAN.SUSPENSION
34.502	2988721000	OPERATORS SEAT MECHAN.SUSPENSION
34.506	2940677000	OPERATORS SEAT TOP MECHAN.SUSPENSION
34.507	2940683000	OPERATORS SEAT BOTTOM SECTION MECHAN.SUSPENSION
34.532	01	SAFETY BELT (OPTION)
35.040	2990466000	LOCK SET
35.070	2988122001	LICENCE PL.BRACKET INSTALL.MATERIAL REAR
35.070	2988124000	LICENCE PL.BRACKET INSTALL.MATERIAL FRONT
36.020	2988686000	ENGINE HOOD INSTALL.MATERIAL
36.022	2988687000	ENGINE HOOD
42.020	2988121000	EQUIPMENT ITALY
42.050	2812247000	PROTECTOR
42.050	2902717000	PROTECTOR
42.050	2902743000	PROTECTOR
60.500	2990699000	MAST INSTALL.MATERIAL
60.501	2990700000	MAST MOUNTING PARTS
60.502	2990506000	MAST
60.502	2990701000	MAST
64.010	2990724000	CLAMSHELL INSTALL.MATERIAL 850L +MESSE
64.011	2990715000	CLAMSHELL MOUNTING PARTS 800L-2050MM
64.011	2990720000	CLAMSHELL MOUNTING PARTS 850L-2050MM
64.014	2990716000	CLAMSHELL ASSEMBLY PARTS 800L-2050MM
64.014	2990717000	CLAMSHELL ASSEMBLY PARTS
64.014	2990722000	CLAMSHELL ASSEMBLY PARTS 850L MIT ZA
64.040	2487418001	HYDRAULIC SYSTEM CLAMSHELL
64.200	2989671000	LOADING BUCKET INSTALL.MATERIAL 800L-1950MM
64.200	2989677000	LOADING BUCKET INSTALL.MATERIAL 800L-2050MM
64.200	2989683000	LOADING BUCKET INSTALL.MATERIAL 900L-2050MM
64.200	2990712000	LOADING BUCKET INSTALL.MATERIAL
64.201	2989665000	BUCKET MOUNTING PARTS 800L-1950MM
64.201	2989669000	BUCKET MOUNTING PARTS 800L-1950MM
64.201	2989672000	BUCKET MOUNTING PARTS 800L-2050MM
64.201	2989675000	BUCKET MOUNTING PARTS 800L-2050MM
64.201	2989678000	BUCKET MOUNTING PARTS 900L-2050MM
64.201	2989681000	BUCKET MOUNTING PARTS 900L-2050MM
64.201	2990706000	BUCKET MOUNTING PARTS 1000L-2100M
64.202	2989666000	LOADING BUCKET 800L-1950MM
64.202	2989670000	LOADING BUCKET 800L-1950MM
64.202	2989673000	LOADING BUCKET 800L-2050MM
64.202	2989676000	LOADING BUCKET 800L-2050MM
64.202	2989679000	LOADING BUCKET 900L-2050MM
64.202	2989682000	LOADING BUCKET 900L-2050MM
64.202	2990707000	LOADING BUCKET 1000L-2100M
64.204	2989611000	LOADING BUCKET ASSEMBLY PARTS
64.204	2989667000	LOADING BUCKET ASSEMBLY PARTS
64.500	2989528000	BLADE INSTALL.MATERIAL 2100MM
64.500	2989530000	BLADE INSTALL.MATERIAL 2050MM
64.500	2989532000	BLADE INSTALL.MATERIAL 1950MM
95.000	2987628000	MOTOR
95.001	2984858001	DIPSTICK
95.002	2746518001	OIL SUMP
95.005	2139021004	POWER TAKE-OFF
95.005	2984871001	FLYWHEEL
95.008	2432612001	FILLER CAP
95.008	2984883001	CYL.HEAD COVER

TABLE OF CONTENTS

95.015	2432618001	LUBE OIL FILTER
95.015	2984889002	FILTER BRACKET
95.016	2432620001	HEATING
95.016	2984886001	WATER SUPPLY
95.019	2987819001	INJECTION VALVE
95.020	2432627001	BRACKET
95.020	2984890001	FILTER CARTRIDGE
95.020	2987818001	FUEL PUMP
95.021	2432632001	FUEL LINE
95.021	2987808001	FUEL LINE
95.021	2987817001	INJECTION PIPE
95.021	2987821001	FUEL LINE
95.021	2987822001	FUEL LINE
95.027	2987814010	CAP/CONTROLLER
95.041	2139820004	FLANGE
95.041	2984878001	EXHAUST COLLECTOR
95.044	2984849001	GENERATOR
95.044	2984875001	STARTER MOTOR
95.044	2984877001	AIR SHIELD
95.044	2984894001	FASTENING PARTS
95.044	2987838001	NARROW V-BELT
95.046	2192711001	ENGINE MOUNTING
95.046	2193648001	ENGINE MOUNTING
95.048	2984854001	BRACKET
95.048	2984876001	CONTROL UNIT
95.048	2987918001	CABLE HARNESS
95.051	2432648001	OIL PRESS.SWITCH
95.051	2432649001	TEMP.TRANSMITTER
95.056	2984864001	ENGINE SHUT-DOWN
95.063	2984881001	CABLE HARNESS
95.063	2984882001	HEATER PLUG

FRAME BASIC MACHINE WITH MOUNT. PARTS
TELAIO MACCHINA BASE SERIE MONTAGGIO
CADRE ENGINE DE BASE AV. PIECES MONT.
RAHMEN GRUNDGERAET MIT ANBAUTEILEN

1



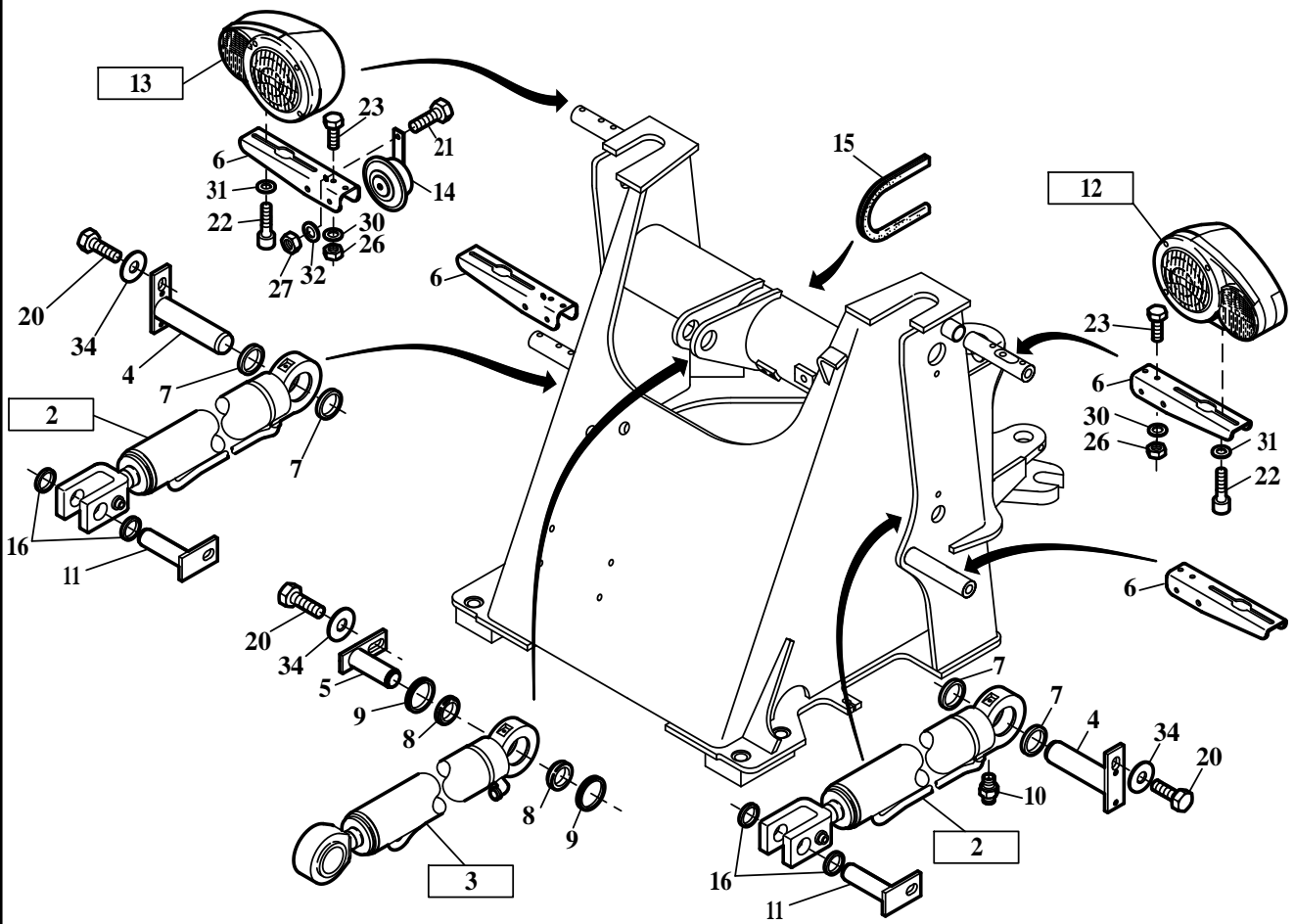
BASTIDOR APARATO BASE C. PIEZAS DE MONT

RAMME

R	N	P.N.	MOD	Q	Description Denominacion	Descrizione Denominação	Description Beschrijving	Bezeichnung Beskrivelse	L.C.
1		NS		1	FRONT FRAME WITH MOUNT. PARTS SEE FIGURE 01.400/2990703000	NON GESTITO	NON FOURNI	KEIN ERSATZTEIL	061N
					NO SE REPARA	NOT SERVICED	NIET GESTOCKEERD	NOT SERVICED	
2		NS		1	REAR FRAME WITH MOUNT. PARTS SEE FIGURE 01.500/2990702000	NON GESTITO	NON FOURNI	KEIN ERSATZTEIL	061N
					NO SE REPARA	NOT SERVICED	NIET GESTOCKEERD	NOT SERVICED	
3		NS		1	JOINT PARTS FRAME SEE FIGURE 01.450/2987275000	NON GESTITO	NON FOURNI	KEIN ERSATZTEIL	061N
					NO SE REPARA	NOT SERVICED	NIET GESTOCKEERD	NOT SERVICED	
4		NS		1	WHEEL COVER INSTALL.MATERIAL SEE FIGURE 01.680/2988691000	NON GESTITO	NON FOURNI	KEIN ERSATZTEIL	061N
					NO SE REPARA	NOT SERVICED	NIET GESTOCKEERD	NOT SERVICED	
5		NS		1	STEPS INSTALL.MATERIAL SEE FIGURE 01.810/2991947000	NON GESTITO	NON FOURNI	KEIN ERSATZTEIL	061N
					NO SE REPARA	NOT SERVICED	NIET GESTOCKEERD	NOT SERVICED	
990		{4554057}		AR	FRAME				

FRONT FRAME WITH MOUNT. PARTS
TELAIO ANTERIORE SERIE MONTAGGIO
CHASSIS AVANT AV. PIECES MONT.
VORDERRAHMEN MIT ANBAUTEILEN

1



BASTIDOR DELANTERO C. PIEZAS DE MONT

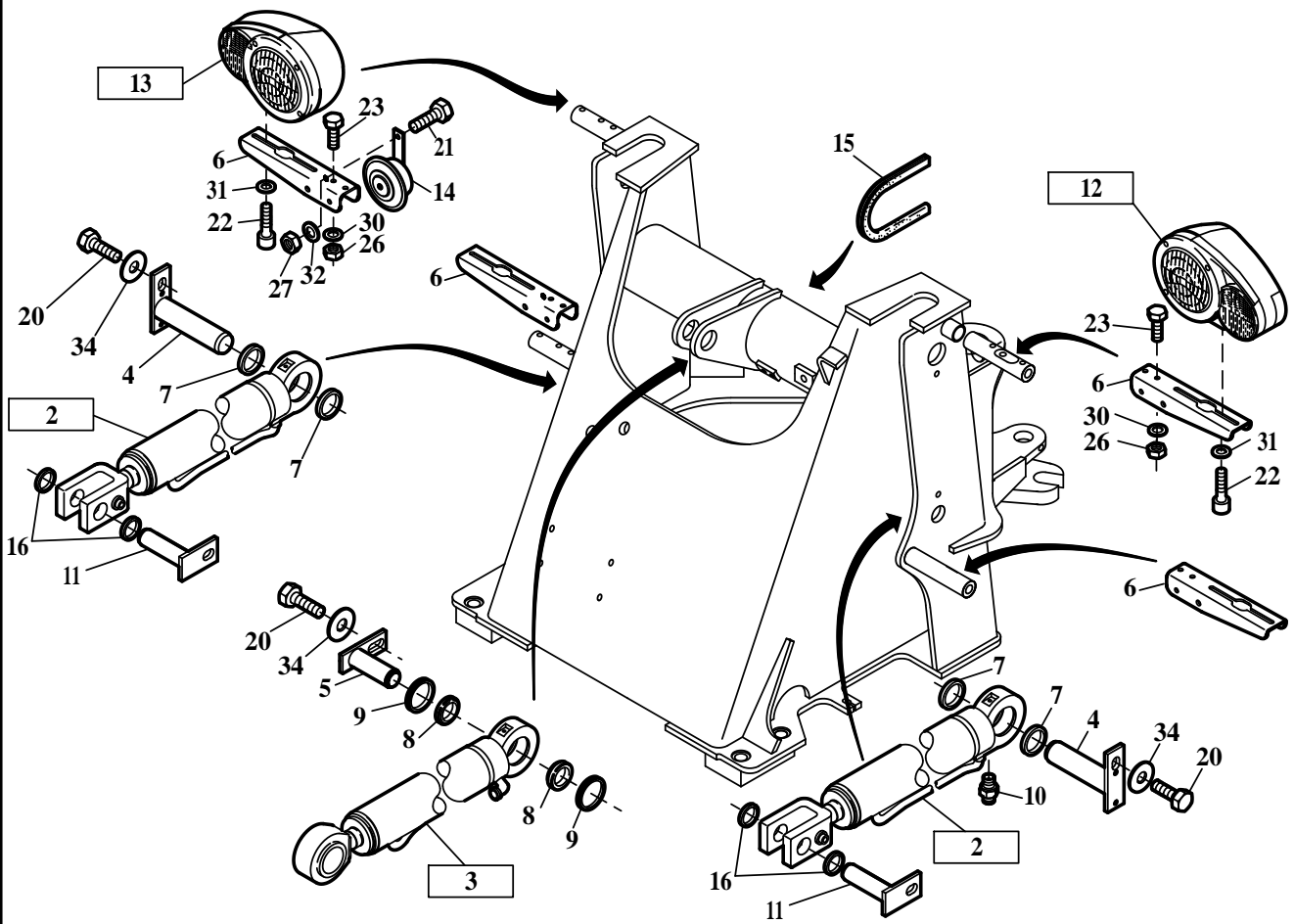
R	N	P.N.	MOD	Q	Description Denominacion	Descrizione Denominação	Description Beschrijving	Bezeichnung Beskrivelse	L.C.
2		NS		2	LIFT CYLINDER SEE FIGURE 24.072/2990736000	NON GESTITO	NON FOURNI	KEIN ERSATZTEIL	061N
					NO SE REPARA	NOT SERVICED	NIET GESTOCKEERD	NOT SERVICED	
3		NS		1	TIP CYLINDER SEE FIGURE 24.082/2990737000	NON GESTITO	NON FOURNI	KEIN ERSATZTEIL	061N
					NO SE REPARA	NOT SERVICED	NIET GESTOCKEERD	NOT SERVICED	
4		4550289		2	PIN	PERNO	AXE	BOLZEN	080P
					PERNO	PERNO	PEN	STIFT	
5		1585825		1	PIN	PERNO	AXE	BOLZEN	080P
					PERNO	PERNO	PEN	STIFT	
6		2813704		4	BRACKET	STAFFA	PATTE FIXATION	KONSOLE	225S
					PIEZA DE SOPORTE	BRACADEIRA	STEUNBEUGEL	BESLAG	
7		1710122		4	SEALING RING	ANELLO	ANNEAU	RING	045A
					ANILLO	ANEL	RING	RING	
8		4515927		4	RING	ANELLO	ANNEAU	RING	045A
					ANILLO	ANEL	RING	RING	
9		4149101		4	SCRAPER	ANELLO RASCHIAFANGI	RACLEUR DE BOUE	ABSTREIFER	042A
					ARO RASCADOR DE FAI	ANEL RASPADOR	MODDERSCHRAAPRING	SKRABERING	
10		1768189		4	SOCKET	PRESA	PRISE	FASSUNG	P483
					ENCAJE	SOQUETE	AANSLUITING	FATNING	
11		1710230		3	PIN	PERNO	AXE	BOLZEN	080P
					PERNO	PERNO	PEN	STIFT	
12		NS		1	ILLUMINATION FRONT MOUNTING PARTS LEFT-HAND SEE FIGURE 32.201/2984501002	NON GESTITO	NON FOURNI	KEIN ERSATZTEIL	061N
					NO SE REPARA	NOT SERVICED	NIET GESTOCKEERD	NOT SERVICED	
13		NS		1	ILLUMINATION FRONT MOUNTING PARTS RIGHT-HAND SEE FIGURE 32.201/2984502002	NON GESTITO	NON FOURNI	KEIN ERSATZTEIL	061N
					NO SE REPARA	NOT SERVICED	NIET GESTOCKEERD	NOT SERVICED	
14		216547		1	HORN	AVVISATORE	AVERTISSEUR	WARNHORN	105A
					BOCINA	BUZINA	HOORN	HORN	
15		153957	AR		PROFILE, 0.85 METER	BORDINO	PROFILE, BOURRELET	PROFIL	106B
					PERFIL	PERFIL	PROFIEL	PROFIL	
16		2978564		4	SEALING RING	COLLARE ANELLI	COLLIER DE SEGMENTS	SEALING RING COLLAR	175C
					UTIL PARA COLOC.ANILLO	COLAR VEDANTE	SEGMENTRING	KRAVE F/TÆTNINGSRIN	
20		300383		3	BOLT, Hex, M10 x 16, 8.8, Full Thd	BULLONE	BOULON	SCHRAUBE	140B
					TORNILLO	PARAFUSO	BOUT	SKRUE	
21		56656		1	HEXAGON BOLT	BULLONE	BOULON	SCHRAUBE	140B
					TORNILLO	PARAFUSO	BOUT	SKRUE	
22		2168745		4	CYL.HEAD SCREW	VITE	VIS	SCHRAUBE	040V
					TORNILLO	PARAFUSO	SCHROEF	SKRUE	
23		57013		8	HEXAGON BOLT	BULLONE	BOULON	SCHRAUBE	140B
					TORNILLO	PARAFUSO	BOUT	SKRUE	
26		57126		8	HEXAGON NUT	DADO	ECROU	MUTTER	010D
					TUERCA	PORCA	MOER	MOETRIK	
27		57127		1	HEXAGON NUT	DADO	ECROU	MUTTER	010D
					TUERCA	PORCA	MOER	MOETRIK	
30		2975165		8	DISK/WASHER	ROSETTA PIANA	RONDELLE	UNTERLEGSCHIEBE	131R
					ARANDELA	ANILHA	SLUITRING	FLADSKIVE	

2992646

W70

FRONT FRAME WITH MOUNT. PARTS
TELAIO ANTERIORE SERIE MONTAGGIO
CHASSIS AVANT AV. PIECES MONT.
VORDERRAHMEN MIT ANBAUTEILEN

1



BUY NOW

**Then Instant Download
the Complete Manual
Thank you very much!**