

---

## TABLE OF CONTENTS

---

00.100	2990926000	BASIC MACHINE W80 TC
01.100	2991334001	FRAME BASIC MACHINE WITH MOUNT. PARTS
01.400	2991335000	FRONT FRAME WITH MOUNT. PARTS
01.450	2991203000	JOINT PARTS FRAME
01.500	2991336000	REAR FRAME WITH MOUNT. PARTS
01.680	2991337000	WHEEL COVER INSTALL.MATERIAL
01.682	2988693000	WHEEL COVER
01.810	2991947000	STEPS INSTALL.MATERIAL
01.830	6559701000	WEDGE INSTALL.MATERIAL`
02.002	2991472000	AXLES ASSEMBLY SET SELF-LOCKING
02.002	2991473000	AXLES ASSEMBLY SET STANDARD
02.005	2991468000	AXLES COMPLETE SELF-LOCKING
02.005	2991469000	AXLES COMPLETE STANDARD
02.020	2987074001	SWING AXLE INSTALL.MATERIAL STANDARD
02.020	2987077000	SWING AXLE INSTALL.MATERIAL STANDARD
02.020	2988147000	SWING AXLE INSTALL.MATERIAL SELF-LOCKING
02.020	2988148000	SWING AXLE INSTALL.MATERIAL SELF-LOCKING
02.021	2987078000	SWING AXLE MOUNTING PARTS STANDARD
02.021	2988149000	SWING AXLE MOUNTING PARTS SELF-LOCKING
02.022	2987079000	SWING AXLE STANDARD
02.022	2988158000	SWING AXLE SELF-LOCKING
02.023	2988730000	SWING AXLE HOUSING
02.060	2990948000	RIGID AXLE INSTALL.MATERIAL STANDARD
02.061	2988144001	RIGID AXLE MOUNTING PARTS STANDARD
02.062	2988145000	RIGID AXLE STANDARD
02.101A	2987076002	RIGID AXLE MOUNTING PARTS FAST GEAR
02.102	2991351000	AXLES ASSEMBLY SET FAST GEAR
02.110	2991331000	RIGID AXLE FAST GEAR
02.110A	2991331000	RIGID AXLE FAST GEAR
02.220	2988733000	WHEEL HUB REAR
02.220	2988734000	WHEEL HUB PLANETARY GEAR
05.090	2988017001	WHEELS INSTALL.MATERIAL 375/75R20 X
05.090	2988018001	WHEELS INSTALL.MATERIAL 405/70R20 E
05.090	2988021001	WHEELS INSTALL.MATERIAL 14.5-20MPT
05.090	2988125001	WHEELS INSTALL.MATERIAL 405/70 R20
05.090	2990668000	WHEELS INSTALL.MATERIAL 405/70 R20E
05.090	2990688000	WHEELS INSTALL.MATERIAL 335/80 R20
05.100	2988019000	WHEELS 375/75R20 X
05.100	2988020000	WHEELS 405/70R20 E
05.100	2988022000	WHEELS 14.5-20MPT
05.100	2988138000	WHEELS 405/70 R20
05.100	2990669000	WHEELS 405/70 R20E
05.100	2990689000	WHEELS 335/80 R20
05.130	2991109000	TRACK EXTENSION 100MM
07.010	2987075001	PROP SHAFT INSTALL.MATERIAL STANDARD
10.100	2987410001	HYD. OIL TANK INSTALL.MATERIAL
10.102	2988029000	HYD. OIL TANK
10.102	2988030000	HYD. OIL TANK
12.010	2991107000	BALLAST INSTALL.MATERIAL
12.040	2987594000	REAR WEIGHT INSTALL.MATERIAL
13.000	2987081000	MOTOR
13.001	2192711001	ENGINE MOUNTING
13.002	2193648001	ENGINE MOUNTING
13.011	2991332000	MOTOR MOUNTING PARTS
13.110	2486328001	REGULATION MOTOR SPEED (OPTION)

---

# TABLE OF CONTENTS

---

13.220	2987066000	EXHAUST SYSTEM INSTALL.MATERIAL
13.222	2987089000	EXHAUST SYSTEM MUFFLER
13.230	2987082001	INTAKE SYSTEM INSTALL.MATERIAL
13.300	2991854000	FUEL SYSTEM
15.120	2987067000	COOLING SYSTEM ENGINE OIL INSTALL.MATERIAL
15.121	2987087002	COMB. COOL. SYST. WATER/OIL MOUNTING PARTS
15.122	2988638000	RADIATOR ENGINE OIL
15.123	2988638000	PREFILTER FOR COOLER (OPTION)
16.082	2988735001	TRANSFER GEARBOX
16.600	2988731000	DIFFERENTIAL
16.600	2988732000	DIFFERENTIAL
17.102	2987085000	COUPLING/CLUTCH
20.005	2991194000	HYDRAULIC SYSTEM AXLES
20.010	2991216001	HYDRAULIC SYSTEM BASIC MACHINE
20.060	2992606000	HYDRAULIC SYSTEM FRONT CARRIAGE
20.100	2987402000	HYDRAULIC SYSTEM DRIVING
20.100	2988117001	HYDRAULIC SYSTEM DRIVING FAST GEAR
20.500	2991414001	HYDRAULIC SYSTEM WORK
20.521	2992618000	HYDRAULIC SYSTEM RIDECONTROL
20.530	2991282000	HYDRAULIC SYSTEM STEERING MONOBOOM
20.530A	2991282000	HYDRAULIC SYSTEM STEERING MONOBOOM
20.535	2991197000	HYDRAULIC SYSTEM EMERGENCY-STEERIN
20.540	2988115001	HYDRAULIC SYSTEM BRAKE FAST GEAR
20.540	2991367001	HYDRAULIC SYSTEM BRAKE
20.540	2991413000	HYDRAULIC SYSTEM BRAKE
20.540A	2991413000	HYDRAULIC SYSTEM BRAKE
20.570	2991935000	HYDRAULIC SYSTEM ADDITIONAL FUNCT.
20.570A	2991935000	HYDRAULIC SYSTEM ADDITIONAL FUNCT.
20.576	4554637000	HYDRAULIC SYSTEM ADDITIONAL FUNCT. LOADER BOOM
20.576	4554647000	HYDRAULIC SYSTEM ADDITIONAL FUNCT. LOADER BOOM
20.576	4554906000	HYDRAULIC SYSTEM ADDITIONAL FUNCT. LOADER BOOM
20.576A	4554647000	HYDRAULIC SYSTEM ADDITIONAL FUNCT. LOADER BOOM
22.050	2991333000	GEAR PUMP INSTALL.MATERIAL
22.050A	2991333000	GEAR PUMP INSTALL.MATERIAL
22.052	2812636000	GEAR PUMP
22.060	2987083001	AXIAL PISTON PUMP INSTALL.MATERIAL
22.062	2987653000	AXIAL PISTON PUMP
22.064	2988378000	DRIVE DEVICE PUMP
22.066	2811919000	REGULATION PUMP
22.120	2987080000	AXIAL PISTON MOTOR INSTALL.MATERIAL STANDARD
22.124	2812159001	DRIVE DEVICE HYDRAULIC MOTOR
22.126	2988374000	REGULATION HYDRAULIC MOTOR
22.126	2988375000	REGULATION HYDRAULIC MOTOR CONTROL UNIT
22.130	2989695000	GEAR MOTOR FAN
22.220	2939514002	HYDRAULIC FILTER
22.300	2989883000	PRESS.ACCUMULATOR EMERGENCY-STEERIN
22.420	2988487000	VALVE BLOCK INSTALL.MATERIAL
22.422	2988488000	VALVE BLOCK
22.430	2811920000	DISTRIBUTOR PLATE PUMP INSTALL.MATERIAL
23.010	2988380000	HYDRAULIC SYSTEM VALVES SOLENOID VALVE
23.032	2295041002	PRESS.REL.VALVE
23.032	2941917000	PRESS.REL.VALVE
23.032	2989727000	PRESS.REL.VALVE
23.060	2812166000	FEED. PRESS. VALVE
23.091	2988663000	STEERING VALVE MOUNTING PARTS

---

## TABLE OF CONTENTS

---

23.092	2487387000	STEERING VALVE
23.110	2988324000	VALVE MAX. LOAD CONTROL
23.192	2295043002	SWITCH-OVER VALVE
23.211	2988119001	SHIFT VALVE MOUNTING PARTS
23.212	2989878000	SHIFT VALVE
23.265	2944932001	PRESSUR.SWITCH
23.265	2988460000	PRESSUR.SWITCH OPERATORS CAB
23.611	2772917000	CONTROL BLOCK MOUNTING PARTS
24.072	2991339000	LIFT CYLINDER
24.082	2991340000	TIP CYLINDER
24.122	2991210000	STEERING CYLINDER
24.122A	2991210000	STEERING CYLINDER
24.320	4532290000	CYLINDER QUICK-HITCH
26.082	2988234001	BRAKE VALVE
27.010	2989858003	HEATING INSTALL.MATERIAL
27.400	2988655001	AIR CONDITION INSTALL.MATERIAL
27.400	2991308001	AIR CONDITION INSTALL.MATERIAL (OPTION)
27.420	2988477000	LIQUEFIER INSTALL.MATERIAL
27.450	2988483001	COMPRESSOR INSTALL.MATERIAL AIR CONDITION
32.010	2992609000	ELECTRICAL SYSTEM BASIC MACHINE COMPLETE
32.130	2991956001	ELECTRICAL SYSTEM FRONT CARRIAGE
32.133	2991958000	CABLE HARNESS FRONT CARRIAGE
32.140	2987290000	ELECTRICAL SYSTEM REAR CARRIAGE
32.142	2987292000	CABLE HARNESS INSTALL.MATERIAL REAR CARRIAGE
32.143	2987293000	CABLE HARNESS REAR CARRIAGE
32.143	2987733000	CABLE HARNESS REAR CARRIAGE FAST GEAR
32.152	2990013000	CENTRAL ELECTRONIC RELAY CIRCUIT BOA
32.170	2987294000	BATTERY INSTALL.MATERIAL
32.175	2990441000	MAIN SWITCH BATTERY INSTALL.MATERIAL
32.176	2941508000	MAIN SWITCH BATTERY
32.201	2984501002	ILLUMINATION FRONT MOUNTING PARTS LEFT-HAND
32.201	2984502002	ILLUMINATION FRONT MOUNTING PARTS RIGHT-HAND
32.210	2987295001	ILLUMINATION REAR INSTALL.MATERIAL
32.220	2988203000	TAILLIGHT BRAKE LIGHT
32.225	2988204000	REVERSING LIGHT TURN SIGNAL LIGHT
32.242	2990491000	LIC. PLATE LIGHT
32.243	2990492000	CABLE HARNESS LIC. PLATE LIGHT
32.273	2990471001	AIR CONDITION CABLE HARNESS (OPTION)
32.405	2988466000	DASHBOARD
32.405	2988469000	DASHBOARD FAST GEAR
32.405	2990002000	DASHBOARD
32.452	2990076000	GEARSHIFT LEVER
32.500	2988468000	ELECTRICAL SYSTEM OPERATORS CAB FAST GEAR
32.500	2989844002	ELECTRICAL SYSTEM OPERATORS CAB
32.500	2991957000	ELECTRICAL SYSTEM OPERATORS CAB
32.510	2991959000	CABLE HARNESS OPERATORS CAB
32.512	2991960000	OPERATORS CAB CABLE HARNESS BASE
32.514	2989999001	OPERATORS CAB CABLE HARNESS ROOF
32.520	2988792002	HEADLIGHT OPERATORS CAB INSTALL.MATERIAL REAR
32.522	2990556000	HEADLIGHT
32.590	2989824000	RADIO INSTALL.MATERIAL LOUDSPEAKER
32.592	2783610002	RADIO
32.592	2988775000	RADIO
32.740	2990727000	HEADLIGHT INSTALL.MATERIAL
32.750	2992620000	ELECTRICAL SYSTEM RIDECONTROL

---

## TABLE OF CONTENTS

---

32.753	2992621000	CABLE HARNESS RIDECONTROL
32.850	2988774001	BEACON LIGHT INSTALL.MATERIAL
32.852	2940767000	BEACON LIGHT
32.870	2988778000	SIGNAL INSTALL.MATERIAL SHIFTABLE
32.870	2989807000	SIGNAL INSTALL.MATERIAL PERMANENT
32.871	2988779000	SIGNAL CONTROL PANEL BACKUP SIGNAL
32.880	2990725000	ANTI-THEFT DECICE INSTALL.MATERIAL
32.882	2991164000	ANTI-THEFT DECICE ELECTRICAL SYSTEM
32.884	2991165000	ANTI-THEFT DECICE CABLE HARNESS
34.002	2991401000	OPERATORS CAB ASSEMBLY SET HEIZUNG HP
34.002	2991402000	OPERATORS CAB ASSEMBLY SET AIR CONDITION
34.002	2991403000	OPERATORS CAB ASSEMBLY SET HEIZUNG
34.005	2991384000	CAB MODULE AIR CONDITION
34.005	2991385000	CAB MODULE HEIZUNG
34.010	2987272000	CAB MODULE INSTALL.MATERIAL
34.012	2988651000	CAB MODULE HEATING
34.012	2988656000	CAB MODULE AIR CONDITION
34.021	2989697003	OPERATORS CAB MOUNTING PARTS
34.021	2989698004	OPERATORS CAB MOUNTING PARTS
34.130	2989696002	CONTROL COLUMN INSTALL.MATERIAL
34.220	2989830003	CAB DOOR
34.230	2989699001	GLAZING OPERATORS CAB
34.236	2990728000	SKYLIGHT WINDOW (OPTION) (S/N 534501-UP)
34.500	2988720000	OPERATORS SEAT INSTALL.MATERIAL MECHAN.SUSPENSION
34.502	2988721000	OPERATORS SEAT MECHAN.SUSPENSION
34.506	2940677000	OPERATORS SEAT TOP MECHAN.SUSPENSION
34.507	2940683000	OPERATORS SEAT BOTTOM SECTION MECHAN.SUSPENSION
34.532	01	SAFETY BELT (OPTION)
35.070	2988122001	LICENCE PL.BRACKET INSTALL.MATERIAL REAR
35.070	2988124000	LICENCE PL.BRACKET INSTALL.MATERIAL FRONT
36.020	2988686000	ENGINE HOOD INSTALL.MATERIAL
36.022	2988687000	ENGINE HOOD
36.560	2988603000	COVER "V"-BELT
42.020	4554907000	EQUIPMENT ITALY
42.050	2812247000	PROTECTOR
42.050	2902717000	PROTECTOR
60.600	4554790000	MAST MONOBOOM INSTALL.MATERIAL
60.601	4554759000	MONOBOOM ASSEMBLY PARTS
60.601	4554797000	MONOBOOM ASSEMBLY PARTS
60.602	4554751000	MONOBOOM
64.500	2991829000	BLADE INSTALL.MATERIAL 2050MM
64.500	2991832000	BLADE INSTALL.MATERIAL 2100MM
70.300	2812457000	FORK CARRIAGE PROTECTOR
70.300	2991917000	FORK CARRIAGE SOLID
70.320	2487405001	FORKS 100X45X1200
70.325	2991884001	HINGED FORK
70.325	2991885000	HINGED FORK
70.325A	2991884001	HINGED FORK
71.500	4554789000	QUICK-HITCH INSTALL.MATERIAL
76.200	2991933000	PIPE-BREAK PROTEC. INSTALL.MATERIAL
76.200A	2991933000	PIPE-BREAK PROTEC. INSTALL.MATERIAL
91.000	2840065000	PLATES COMPLETE
92.010	2987072000	TOOL SET
92.040	2991675000	TOOLBOX INSTALL.MATERIAL
92.042	2991676000	TOOLBOX

---

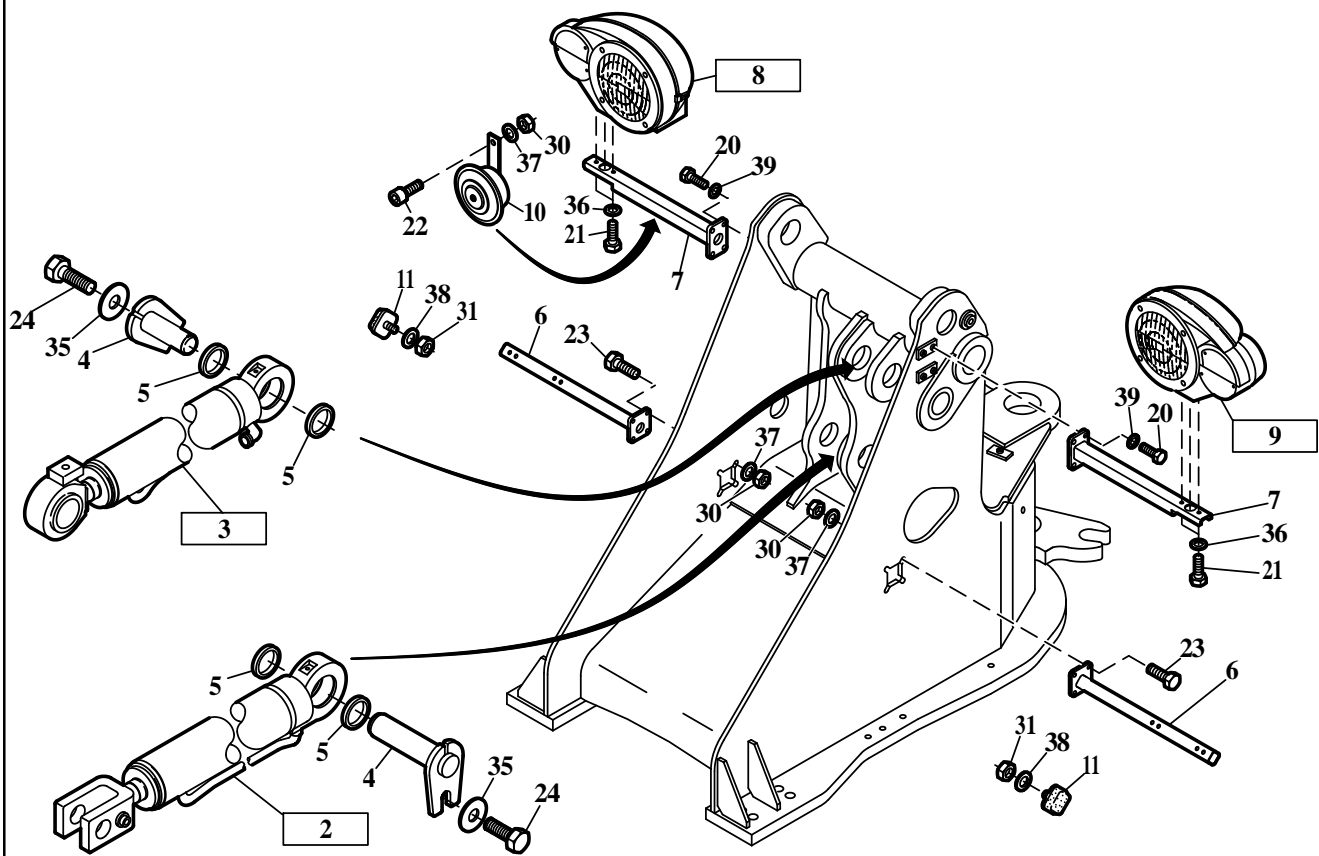
## TABLE OF CONTENTS

---

95.000	2987081000	MOTOR
95.002	2746518001	OIL SUMP
95.005	2139021004	POWER TAKE-OFF
95.005	2984871001	FLYWHEEL
95.008	2432612001	FILLER CAP
95.008	2987840001	VALVE MECHAN.COVER
95.015	2432618001	LUBE OIL FILTER
95.015	2984889002	FILTER BRACKET
95.016	2432620001	HEATING
95.016	2984886001	WATER SUPPLY
95.019	2987819001	INJECTION VALVE
95.020	2984890001	FILTER CARTRIDGE
95.020	2987818001	FUEL PUMP
95.021	2432632001	FUEL LINE
95.021	2987808001	FUEL LINE
95.021	2987817001	INJECTION PIPE
95.021	2987821001	FUEL LINE
95.021	2987822001	FUEL LINE
95.041	2192779002	COUNTER FLANGE
95.041	2987839001	EXHAUST COLLECTOR
95.043	2987820001	EXH.TURBO CHARGER
95.044	2984849001	GENERATOR
95.044	2984875001	STARTER MOTOR
95.044	2984877001	AIR SHIELD
95.044	2984894001	FASTENING PARTS
95.044	2984895001	BRACKET
95.044	2987838001	NARROW V-BELT
95.046	2192711001	ENGINE MOUNTING
95.046	2193648001	ENGINE MOUNTING
95.048	2984854001	BRACKET
95.048	2984876001	CONTROL UNIT
95.051	2432648001	OIL PRESS.SWITCH
95.051	2432649001	TEMP.TRANSMITTER
95.056	2984864001	ENGINE SHUT-DOWN
95.063	2984881001	CABLE HARNESS
95.063	2984882001	HEATER PLUG

FRONT FRAME WITH MOUNT. PARTS  
TELAIO ANTERIORE SERIE MONTAGGIO  
CHASSIS AVANT AV. PIECES MONT.  
VORDERRAHMEN MIT ANBAUTEILEN

1



## BASTIDOR DELANTERO C. PIEZAS DE MONT

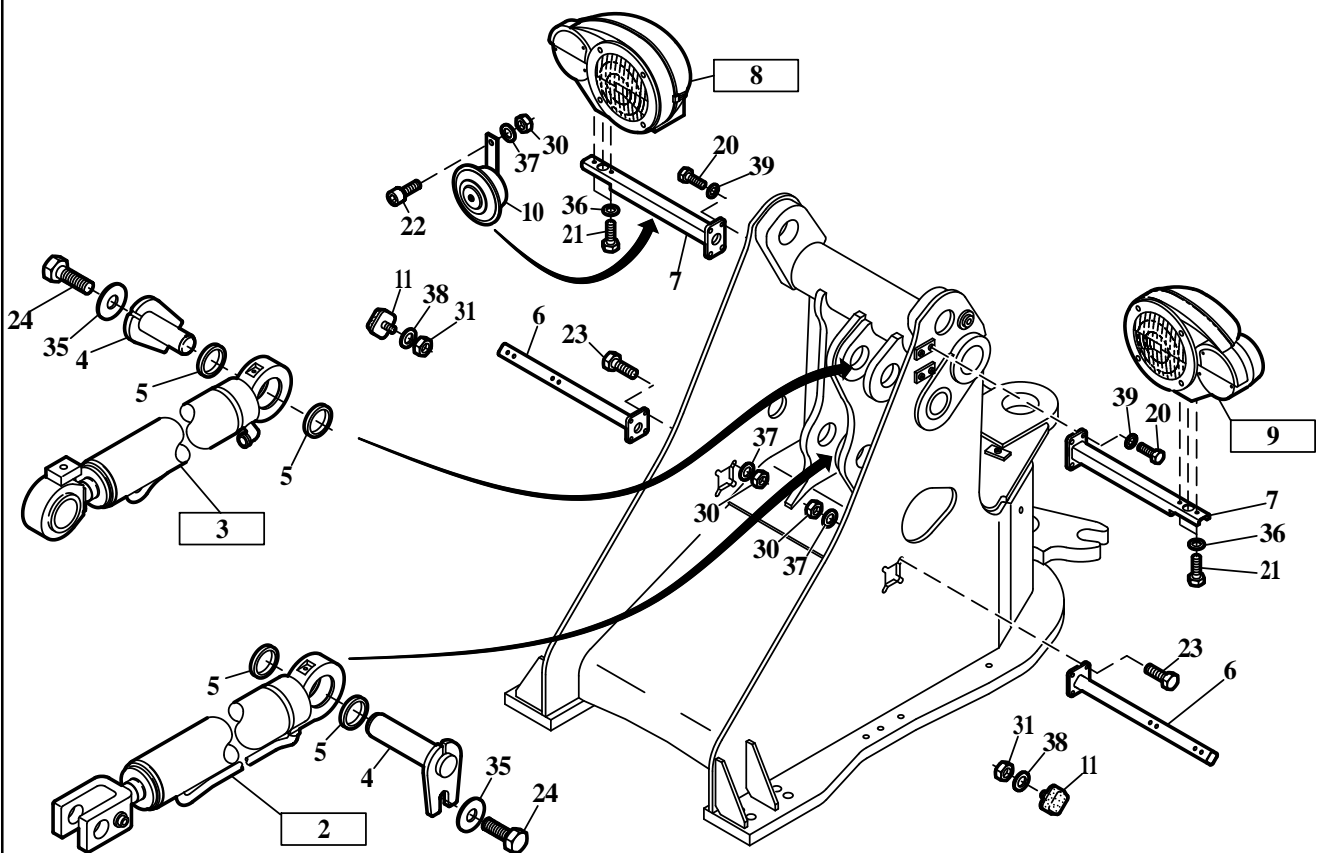
R	N	P.N.	MOD	Q	Description Denominacion	Descrizione Denominação	Description Beschrijving	Bezeichnung Beskrivelse	L.C.
2		NS		1	LIFT CYLINDER SEE FIGURE 24.072/2991339000	NON GESTITO	NON FOURNI	KEIN ERSATZTEIL	061N
					NO SE REPARA	NOT SERVICED	NIET GESTOCKEERD	NOT SERVICED	
3		NS		1	TIP CYLINDER SEE FIGURE 24.082/2991340000	NON GESTITO	NON FOURNI	KEIN ERSATZTEIL	061N
					NO SE REPARA	NOT SERVICED	NIET GESTOCKEERD	NOT SERVICED	
4		4554310		2	PIN	PERNO	AXE	BOLZEN	080P
					PERNO	PERNO	PEN	STIFT	
5		3032042		4	SHIM	SPESSORE	CALE D'EPAISSEUR	UNTERLEGSCHIEBE	198S
					SUPLEMENTO	CALCO DE AFINACAO	DIKTEPLAAT	MELLEMLÆG	
6		4554141		2	BRACKET	SUPPORTO	SUPPORT	HALTERUNG, LAGERBO	300S
					SOPORTE	SUPORTE	STEUN	BESLAG	
7		4554212		2	BRACKET	SUPPORTO	SUPPORT	HALTERUNG, LAGERBO	300S
					SOPORTE	SUPORTE	STEUN	BESLAG	
8		NS		1	ILLUMINATION FRONT MOUNTING PARTS RIGHT-HAND SEE FIGURE 32.201/2984502002	NON GESTITO	NON FOURNI	KEIN ERSATZTEIL	061N
					NO SE REPARA	NOT SERVICED	NIET GESTOCKEERD	NOT SERVICED	
9		NS		1	ILLUMINATION FRONT MOUNTING PARTS LEFT-HAND SEE FIGURE 32.201/2984501002	NON GESTITO	NON FOURNI	KEIN ERSATZTEIL	061N
					NO SE REPARA	NOT SERVICED	NIET GESTOCKEERD	NOT SERVICED	
10		216547		1	HORN	AVVISATORE	AVERTISSEUR	WARNHORN	105A
					BOCINA	BUZINA	HOORN	HORN	
11		2929663		2	LIMIT STOP	ARRESTO	BUTÉE	STOPPVORRICHTUNG	080A
					DISPOSITIVO DE TOPE	BATENTE	STOOTSTUK	STOP	
20		378056		8	BOLT, Hex, M6 x 10, 8.8, Full Thd	VITE	VIS	SCHRAUBE	040V
					TORNILLO	PARAFUSO	SCHROEF	SKRUE	
21		336199		4	HEXAGON BOLT	VITE	VIS	SCHRAUBE	040V
					TORNILLO	PARAFUSO	SCHROEF	SKRUE	
22		2978297		1	CYL.HEAD SCREW	VITE	VIS	SCHRAUBE	040V
					TORNILLO	PARAFUSO	SCHROEF	SKRUE	
23		56662		8	HEXAGON BOLT	BULLONE	BOULON	SCHRAUBE	140B
					TORNILLO	PARAFUSO	BOUT	SKRUE	
24		300383		2	BOLT, Hex, M10 x 16, 8.8, Full Thd	BULLONE	BOULON	SCHRAUBE	140B
					TORNILLO	PARAFUSO	BOUT	SKRUE	
30		57127		9	HEXAGON NUT	DADO	ECROU	MUTTER	010D
					TUERCA	PORCA	MOER	MOETRIK	
31		57130		2	HEXAGON NUT	DADO	ECROU	MUTTER	010D
					TUERCA	PORCA	MOER	MOETRIK	
35		530811		2	DISK/WASHER	ROSETTA PIANA	RONDELLE	UNTERLEGSCHIEBE	131R
					ARANDELA	ANILHA	SLUITRING	FLADSKIVE	
36		2975165		4	DISK/WASHER	ROSETTA PIANA	RONDELLE	UNTERLEGSCHIEBE	131R
					ARANDELA	ANILHA	SLUITRING	FLADSKIVE	
37		2981701		17	DISK/WASHER	ROSETTA PIANA	RONDELLE	UNTERLEGSCHIEBE	131R
					ARANDELA	ANILHA	SLUITRING	FLADSKIVE	
38		2975164		2	DISK/WASHER	ROSETTA PIANA	RONDELLE	UNTERLEGSCHIEBE	131R
					ARANDELA	ANILHA	SLUITRING	FLADSKIVE	

2992646

W80TC W80TC

FRONT FRAME WITH MOUNT. PARTS  
TELAIO ANTERIORE SERIE MONTAGGIO  
CHASSIS AVANT AV. PIECES MONT.  
VORDERRAHMEN MIT ANBAUTEILEN

1





**BUY NOW**

**Then Instant Download  
the Complete Manual  
Thank you very much!**