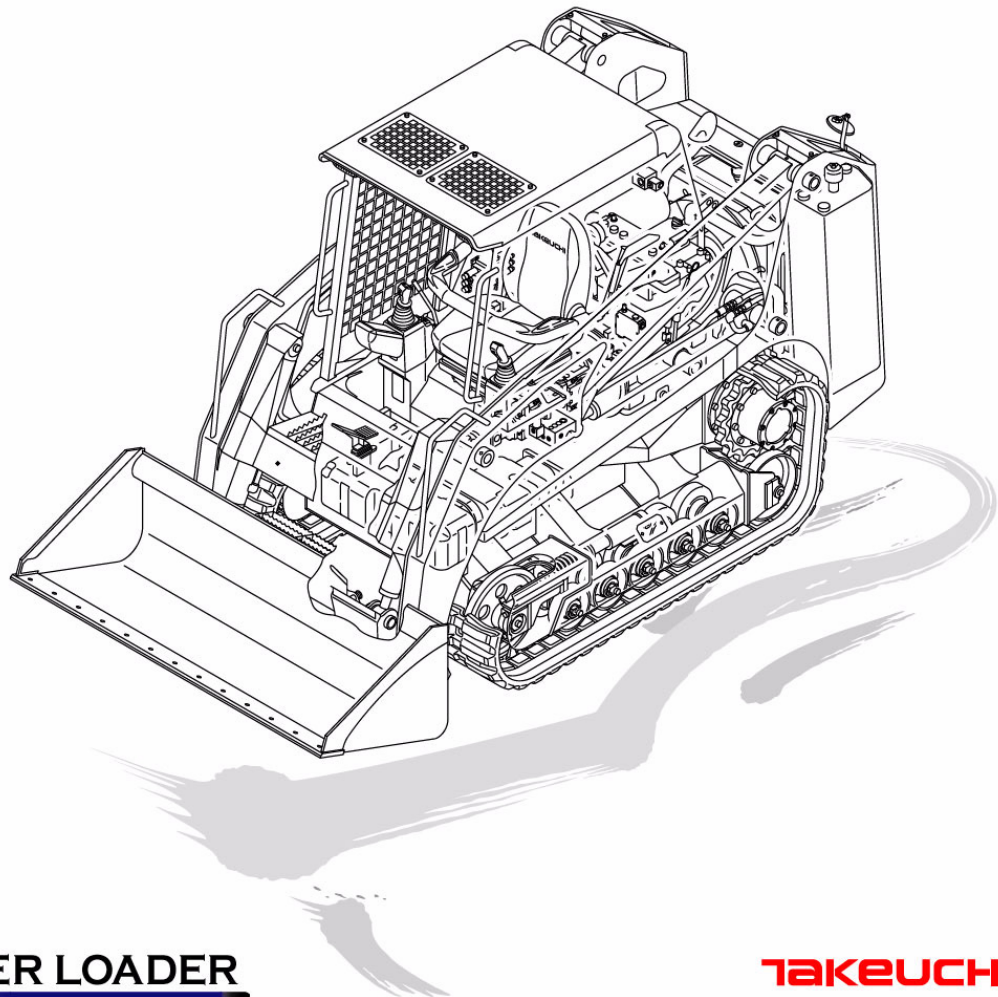


PARTS MANUAL

TL240

Serial No. 224000001~

BU2Z002-1(P-TL240BAB)



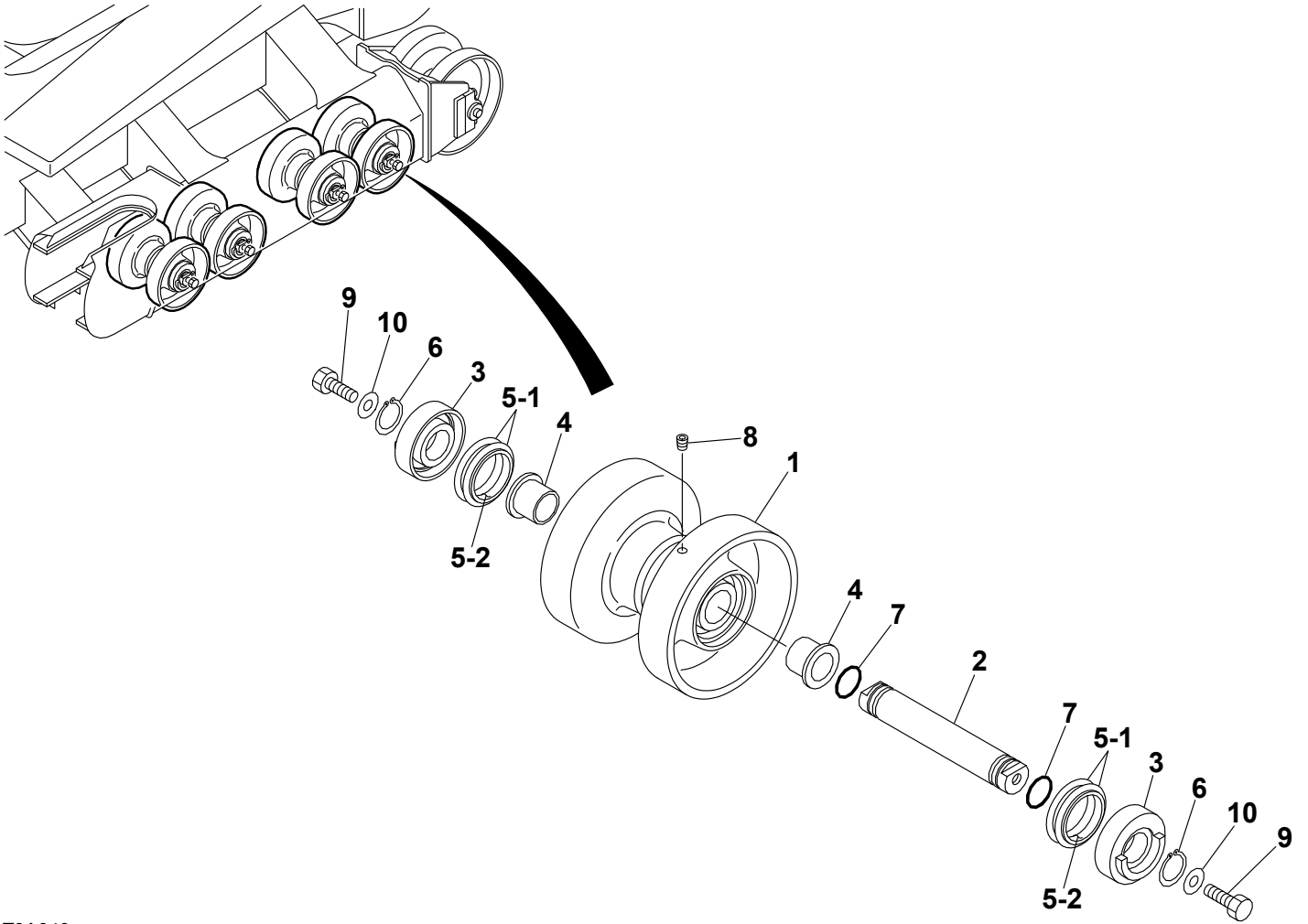
CRAWLER LOADER

TAKEUCHI

INDEX

Item	Part number	Description	Q'ty	Chan.	Serial No.	Serv.	Remarks
1		UNDERCARRIAGE					
2		MAIN FRAME & CONTROL LEVER					
3		ENGINE & ELECTRICAL SYSTEM					
4		HYDRAULIC PIPNG & TANK					
5		COVER & CAB					
6		ATTACHMENT					
7		DECAL & TOOL					
8		HYDRAULIC DEVICE					
10		ENGINE (4TNV98T-ZNTBL) 2009.01.22					

TL240 (P-TL240BAB) BU2Z002-1 S/N 22400001-
TRACK ROLLER A



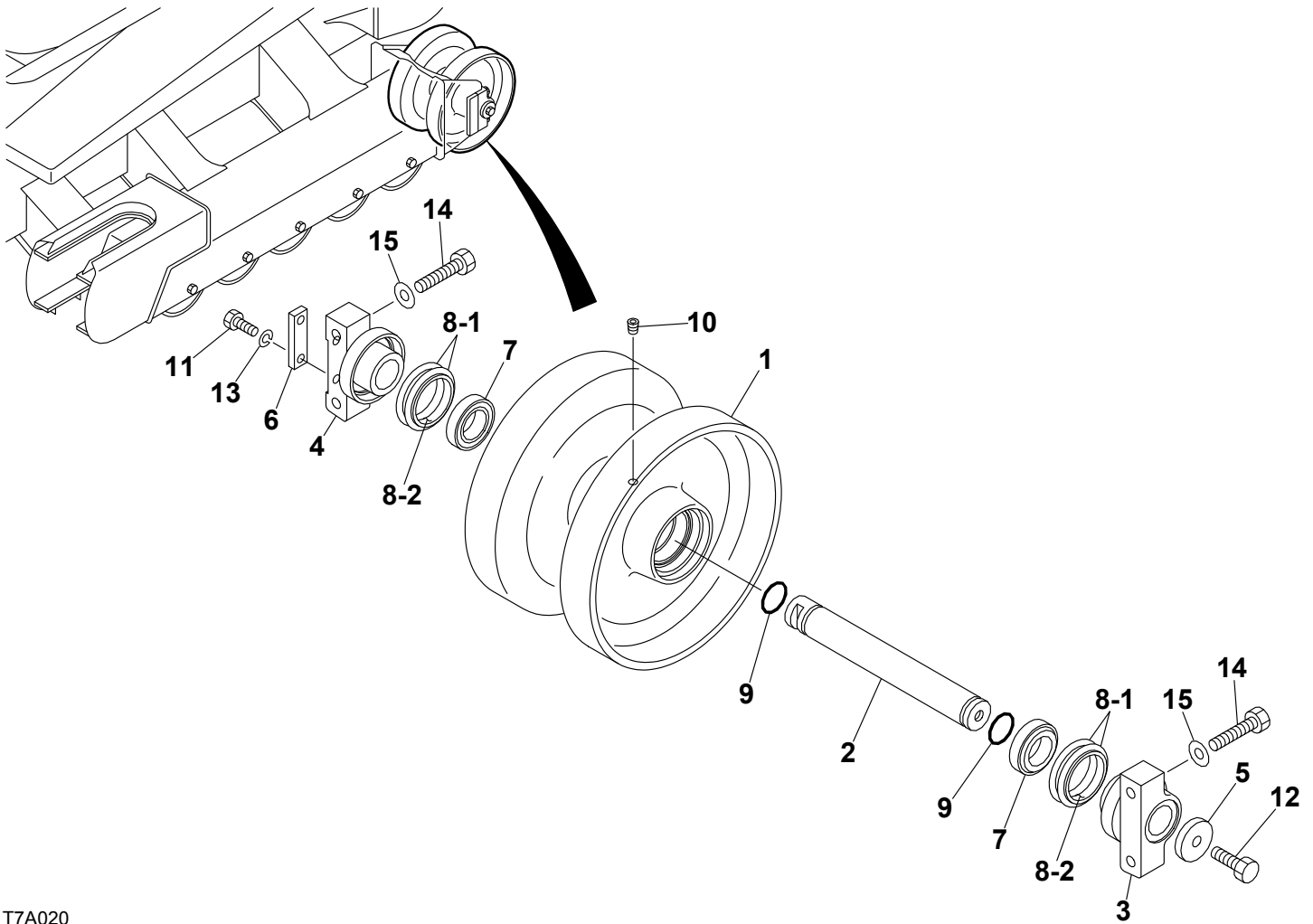
T9A040

S=1/8, 1/20

TRACK ROLLER A

Item	Part number	Description	Q'ty	Chan.	Serial No.	Serv.	Remarks
		ROLLER ASSY, track					
0-1	0881130500	ROLLER SUB ASSY, track	8				
1	0881130510	· ROLLER	1				
2	0881130520	· SHAFT	1				
3	0881130530	· COVER	2				
4	1333064039	· BUSHING	2				
5	1432500640	· SEAL, floating	2				
5-1	1432500641	· · O-RING	2				
5-2	1432500642	· · RING, seal	2				
6	1220000040	· RING, snap	2				
7	1420100350	· O-RING	2				
8	1501810001	· PLUG	1				
9	1100041645	BOLT	16				
10	1141550016	WASHER	16				
	U2a030						

TL240 (P-TL240BAB) BU2Z002-1 S/N 22400001-
TRACK ROLLER B



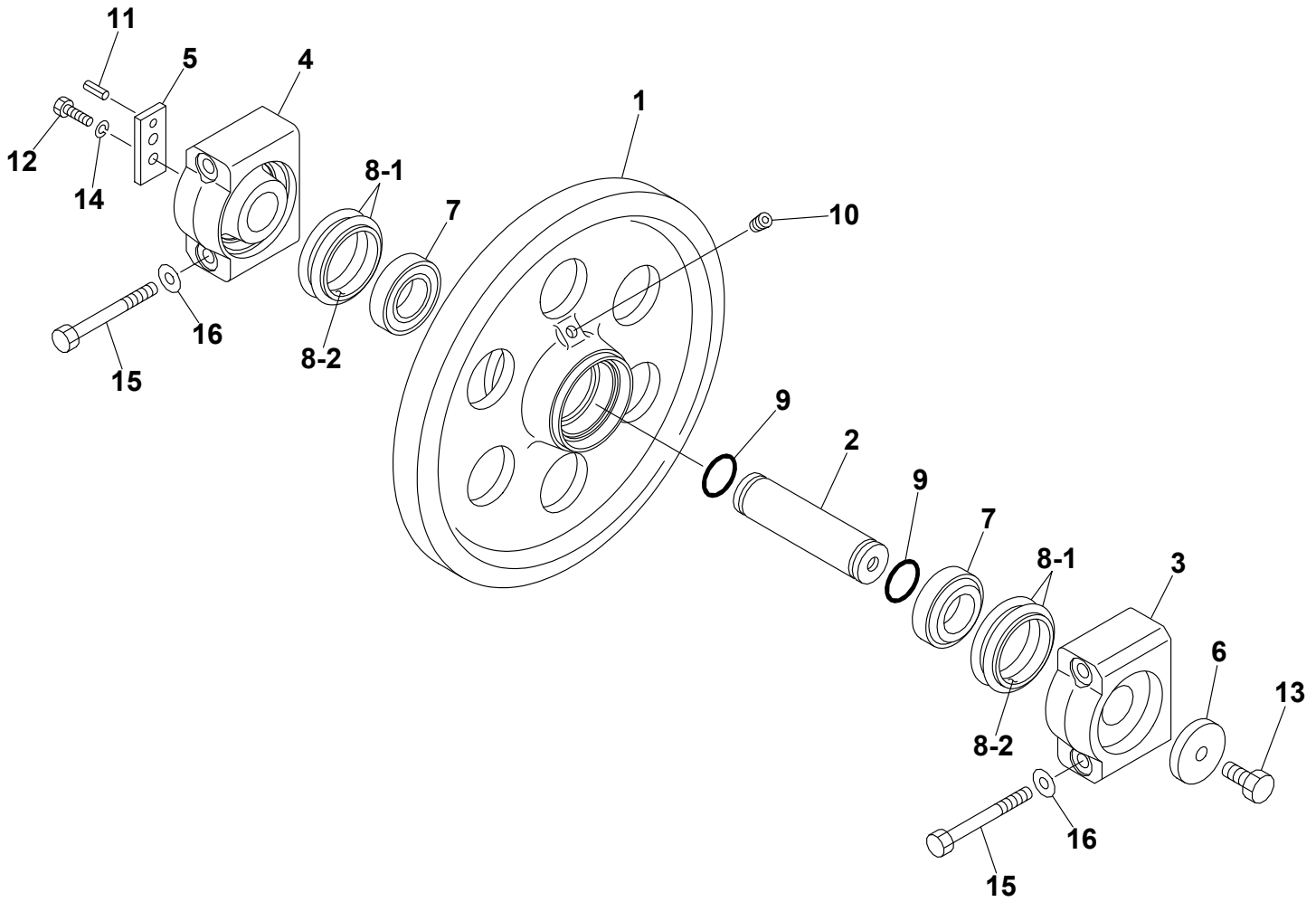
T7A020

S=1/8, 1/20

TRACK ROLLER B

Item	Part number	Description	Q'ty	Chan.	Serial No.	Serv.	Remarks
		ROLLER ASSY, track					
0-1	0881131300	ROLLER SUB ASSY, track	2				
1	0881131310	· ROLLER	1				
2	0881131320	· SHAFT	1				
3	0881131330	· COVER	1				
4	0881131340	· COVER	1				
5	0881131350	· PLATE	1				
6	0881131360	· PLATE	1				
7	1305000004	· BEARING	2				
8	1432500640	· SEAL, floating	2				
8-1	1432500641	· · O-RING	2				
8-2	1432500642	· · RING, seal	2				
9	1420100350	· O-RING	2				
10	1501810001	· PLUG	1				
11	1100041030	· BOLT	2				
12	1106241440	· BOLT	1				
13	1140020010	· WASHER, spring	2				
14	1100041460	BOLT	8				
15	1141550014	WASHER	8				
	U2a040						

TL240 (P-TL240BAB) BU2Z002-1 S/N 22400001-
FRONT IDLER



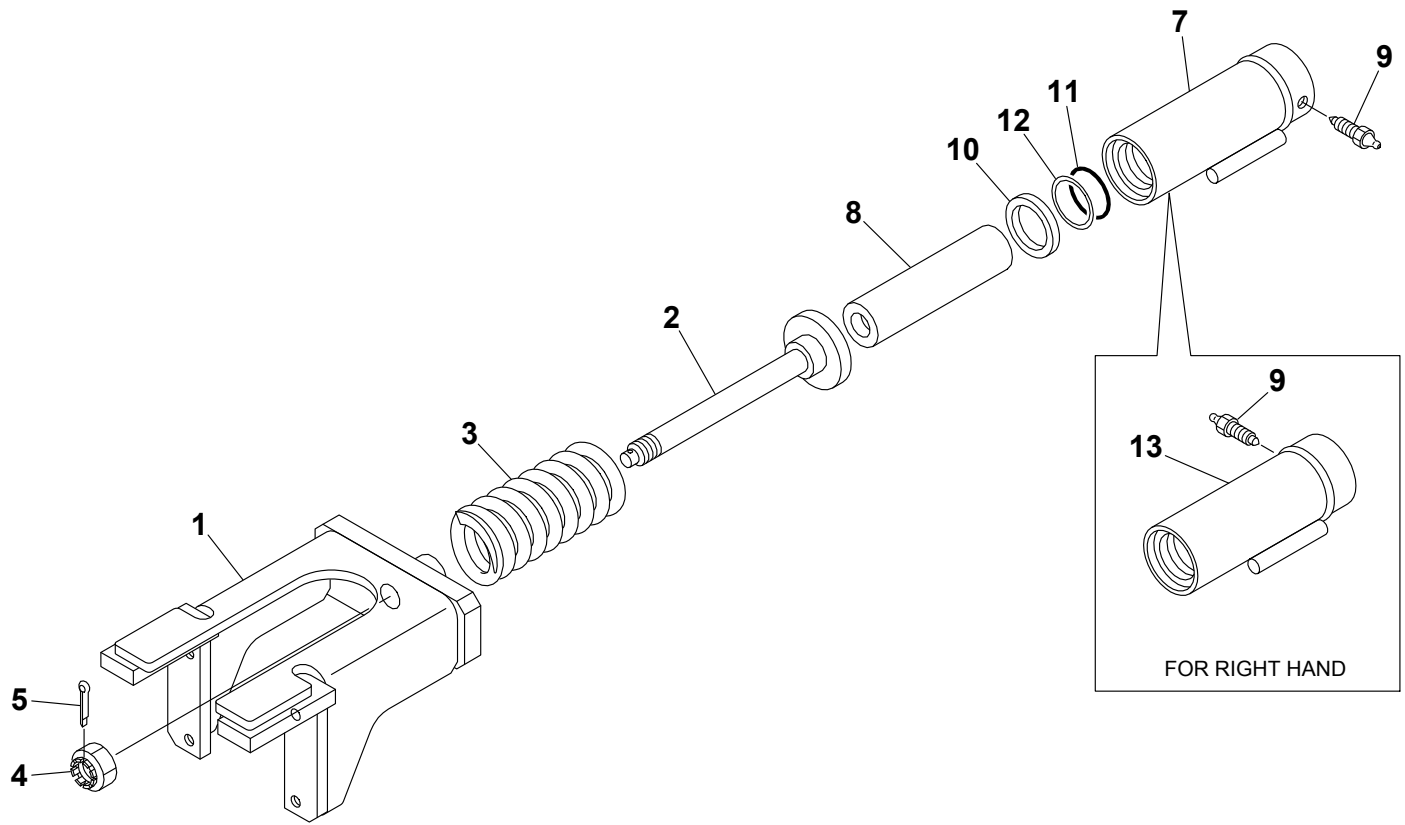
T7A030

S=1/7

FRONT IDLER

Item	Part number	Description	Q'ty	Chan.	Serial No.	Serv.	Remarks
		IDLER ASSY, front					
0-1	0881140300	IDLER SUB ASSY, front	2				
1	0881140310	· IDLER	1				
2	0881140320	· SHAFT	1				
3	0881140330	· COVER	1				
4	0881140340	· COVER	1				
5	0881140350	· PLATE	1				
6	0881140360	· PLATE	1				
7	1305000005	· BEARING	2				
8	1432500800	· SEAL, floating	2				
8-1	1432500801	· · O-RING	2				
8-2	1432500802	· · RING, seal	2				
9	1420100400	· O-RING	2				
10	1501810001	· PLUG	1				
11	1213001026	· PIN, spring	1				
12	1100041030	· BOLT	2				
13	1106041635	· BOLT	1				
14	1140020010	· WASHER, spring	2				
15	1101141420	BOLT	8				
16	1141550014	WASHER	8				
	U2a050						

TL240 (P-TL240BAB) BU2Z002-1 S/N 224000001-
TRACK ADJUSTER



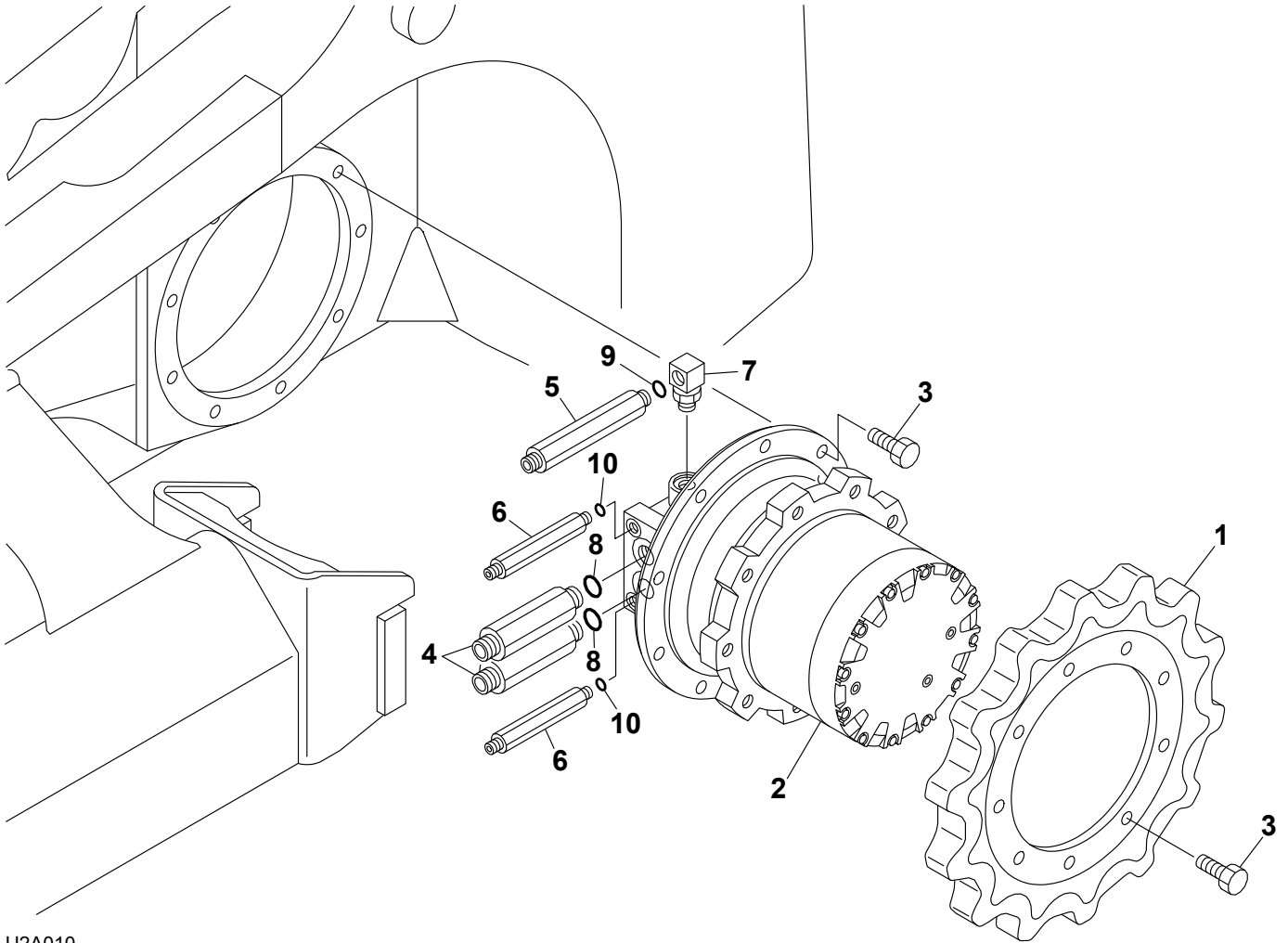
T9A010

S=1/8

TRACK ADJUSTER

Item	Part number	Description	Q'ty	Chan.	Serial No.	Serv.	Remarks
0	0882150000	SPRING ASSY (L.H.)	1				
	0882150100	SPRING ASSY (R.H.)	1				
1	0882150210	· YOKE	1				
2	0881151200	· ROD	1				
3	0007000002	· SPRING	1				
4	1132530027	· NUT	1				
5	1210000545	· PIN, split	1				
0-1	0881152400	· CYLINDER ASSY (L.H.)	1				
	0881152600	· CYLINDER ASSY (R.H.)	1				
7	0881152100	· · CYLINDER, grease (L.H.)	1				
8	0881152200	· · PISTON	1				
9	1541300501	· · VALVE ASSY, check	1				
10	1400403203	· · SEAL, oil	1				
11	1422010600	· · O-RING	1				
12	1421020600	· · RING, back-up	1				
13	0881152300	· · CYLINDER, grease (R.H.)	1				
	U2a060						

TL240 (P-TL240BAB) BU2Z002-1 S/N 22400001-
TRAVEL DEVICE



U2A010

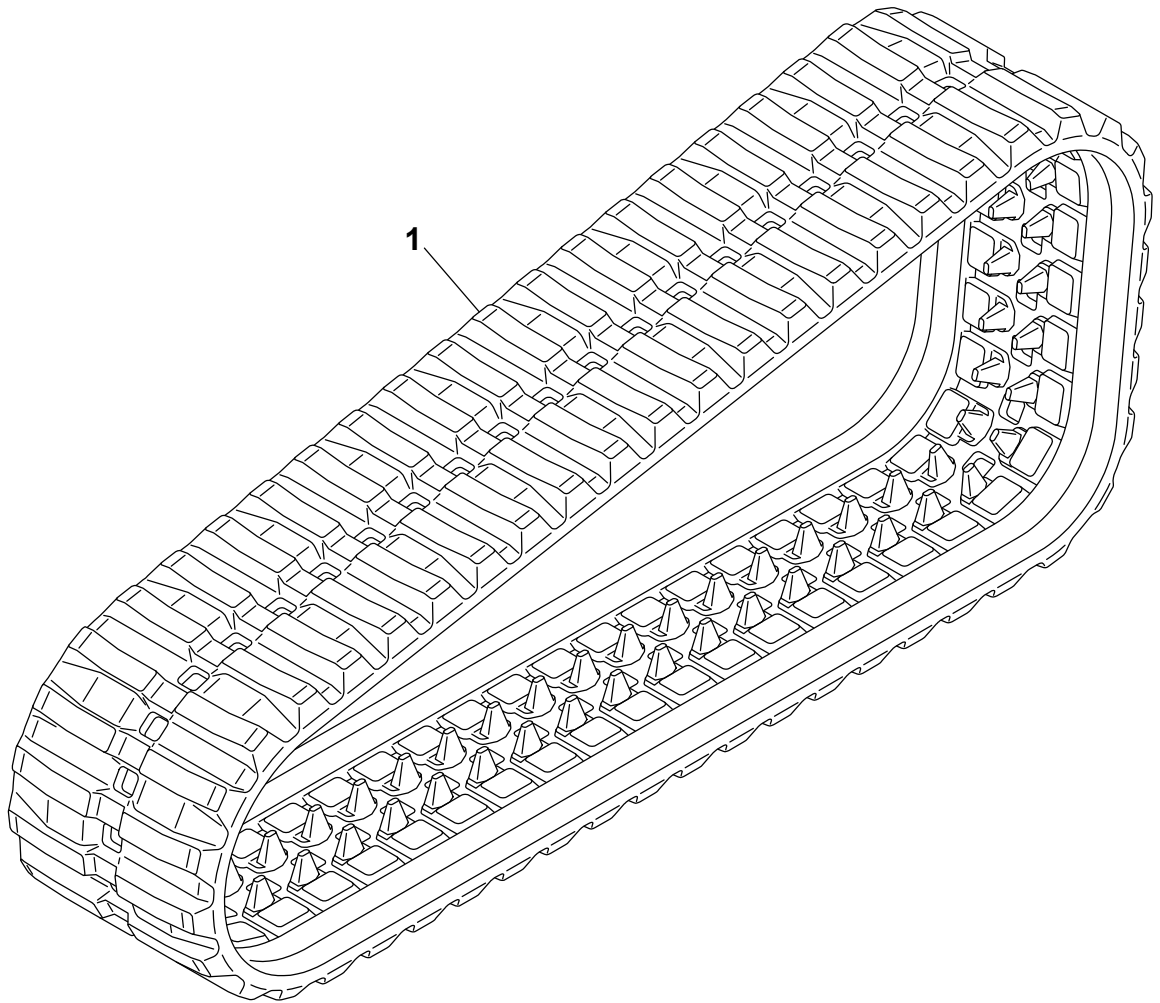
S=1/8

TRAVEL DEVICE

Item	Part number	Description	Q'ty	Chan.	Serial No.	Serv.	Remarks
		MOTOR ASSY, travel					
1	0881160110	SPROCKET	2				
2	1903126500	MOTOR, travel	2				
3	1100041635	BOLT	36				
4	0882160210	ADAPTOR	4				
5	0007203081	ADAPTOR	2				
6	0007203069	ADAPTOR	4				
7	1513300020	ELBOW	2				
	1420010240	· O-RING	1				
8	1420010240	O-RING	4				
9	1420010180	O-RING	2				
10	1420010110	O-RING	4				

U2a010

TL240 (P-TL240BAB) BU2Z002-1 S/N 22400001-
CRAWLER BELT



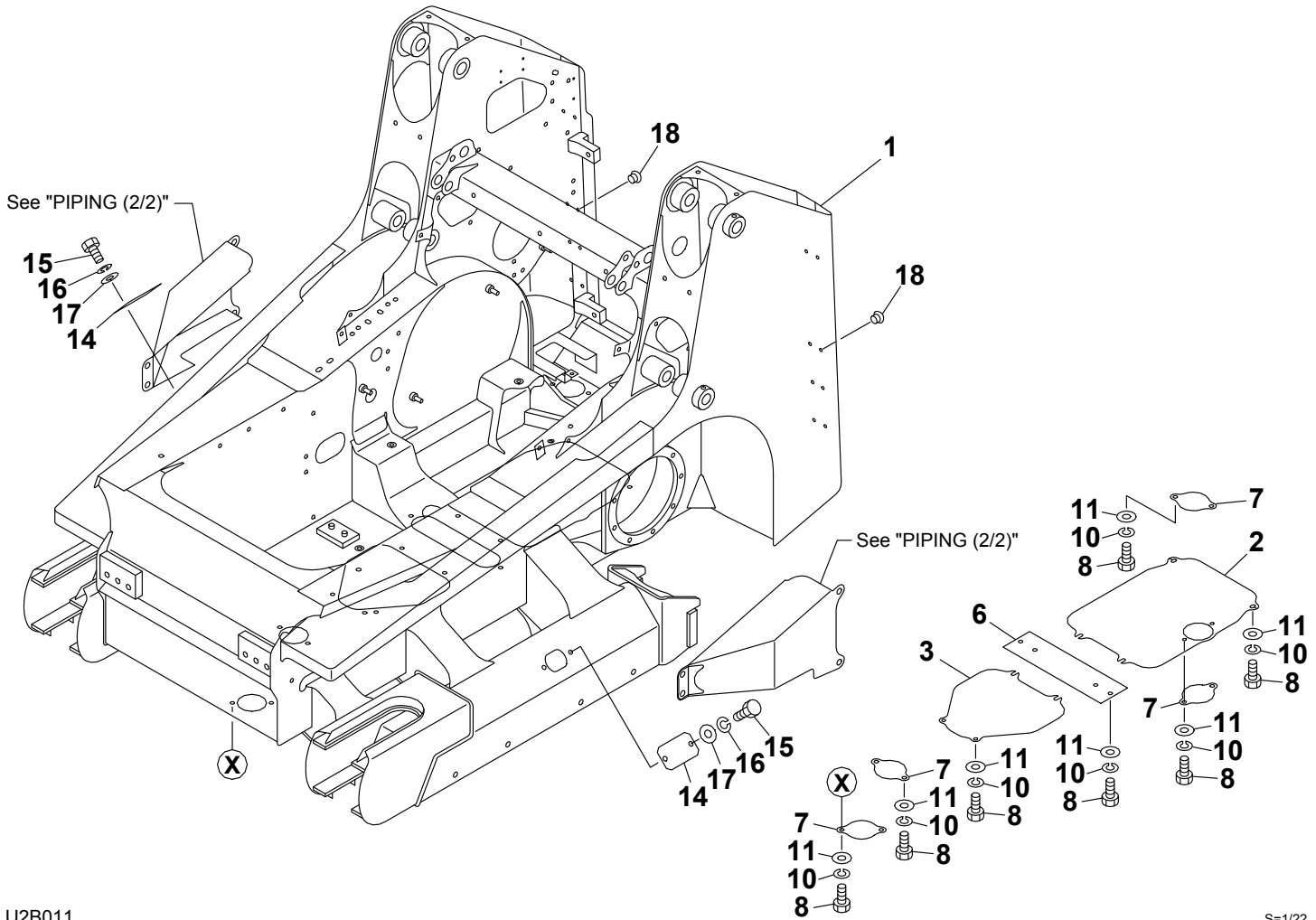
T7A060

S=1/12

CRAWLER BELT

Item	Part number	Description	Q'ty	Chan.	Serial No.	Serv.	Remarks
1	1914099520	BELT, rubber crawler	2				
	1914099540	BELT, rubber crawler (Aggressive lug type)	2				
	1914099610	BELT, rubber crawler (snow tread type)	2				
	U2a0201						

TL240 (P-TL240BAB) BU2Z002-1 S/N 22400001-
FRAME

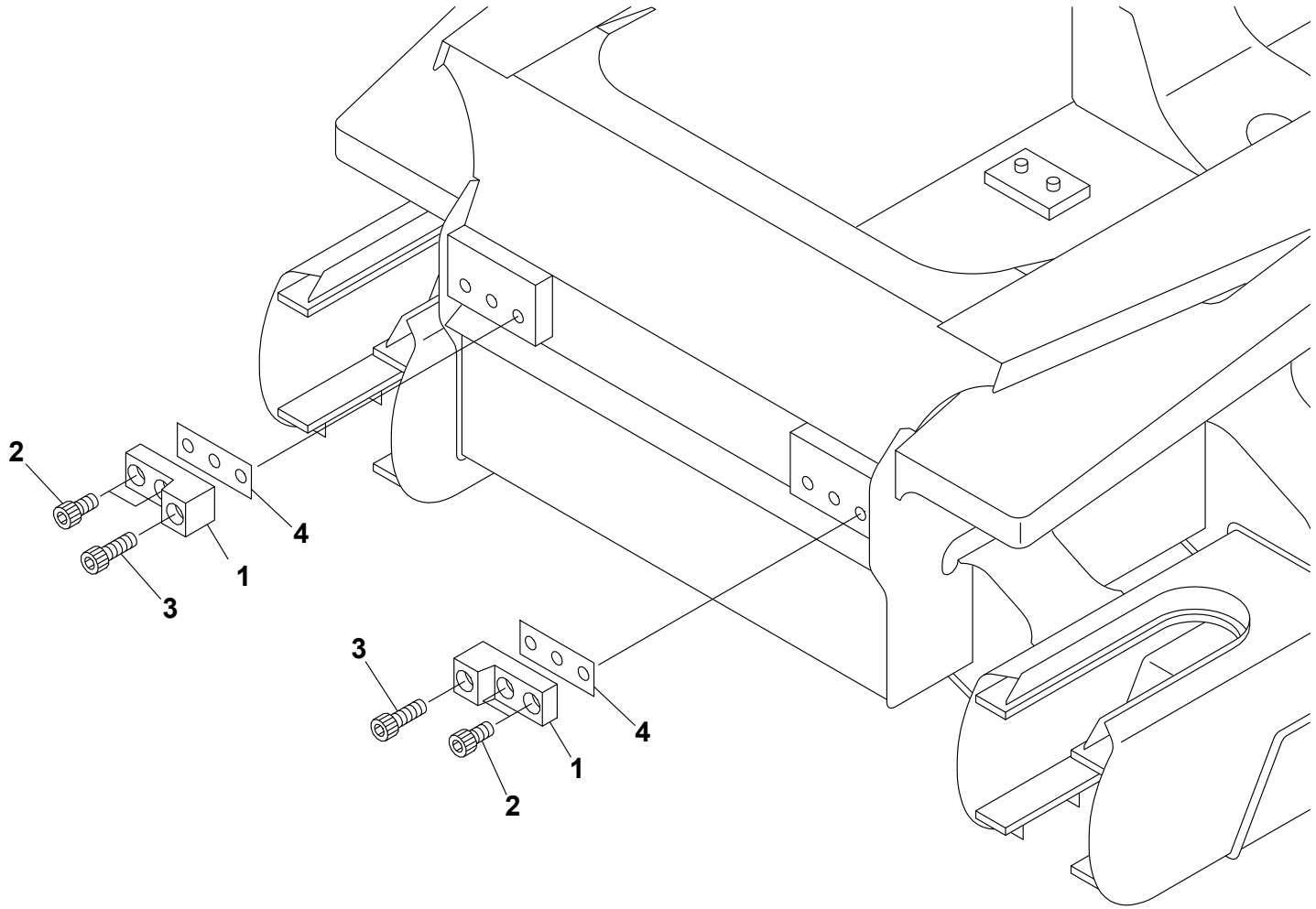


U2B011

S=1/22

FRAME						
Item	Part number	Description	Q'ty	Chan.	Serial No.	Serv. Remarks
		FRAME ASSY				
1	X *****	FRAME	1			
2	0683010030	COVER	1			
3	0882300020	COVER	1			
6	0880305080	COVER	1			
7	0881302095	COVER	4			
8	1100041020	BOLT	16			
10	1140020010	WASHER, spring	18			
11	1141110010	WASHER	16			
14	0331018600	COVER	2			
15	1100040816	BOLT	4			
16	1140020008	WASHER, spring	4			
17	1141110008	WASHER	4			
18	1652533021	CAP	16			M
	U2b011					

TL240 (P-TL240BAB) BU2Z002-1 S/N 224000001-
ARM STOPPER



T9B020

S=1/9

BUY NOW

**Then Instant Download
the Complete Manual
Thank you very much!**