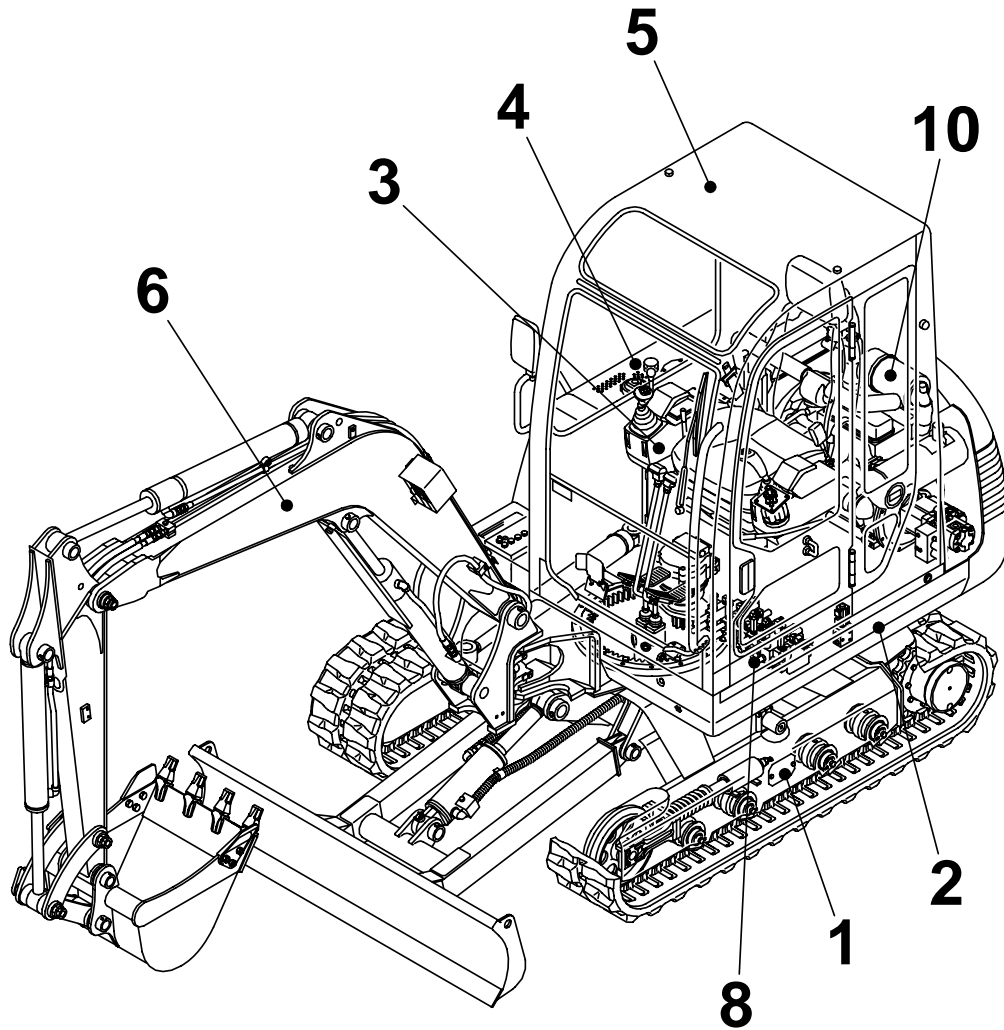


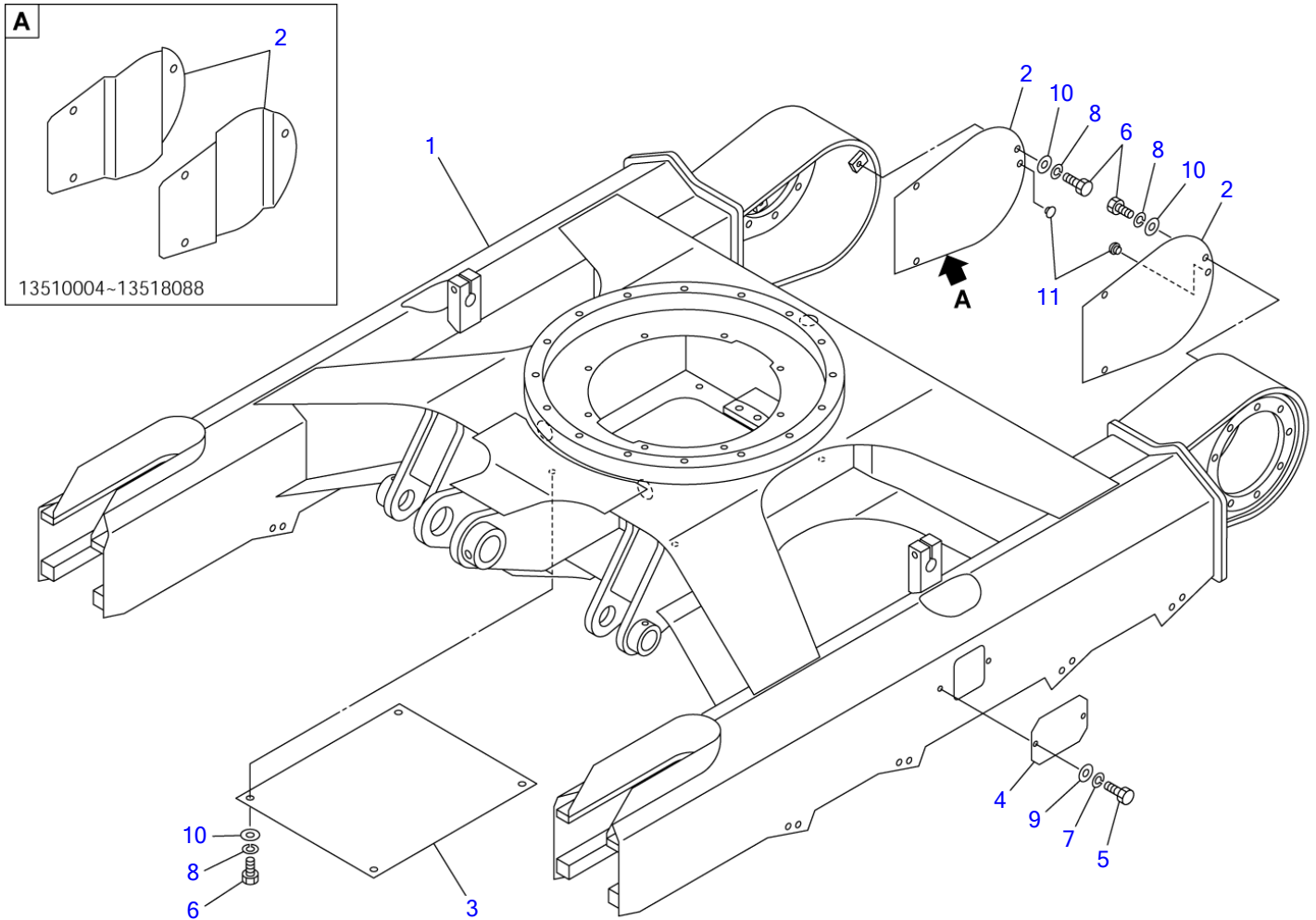
# TB135

Book No.BG4Z010  
Serial No.13510004-



# TAKEUCHI

TB135 Book No. BG4Z010 S/N 13510004-  
LOWER FRAME



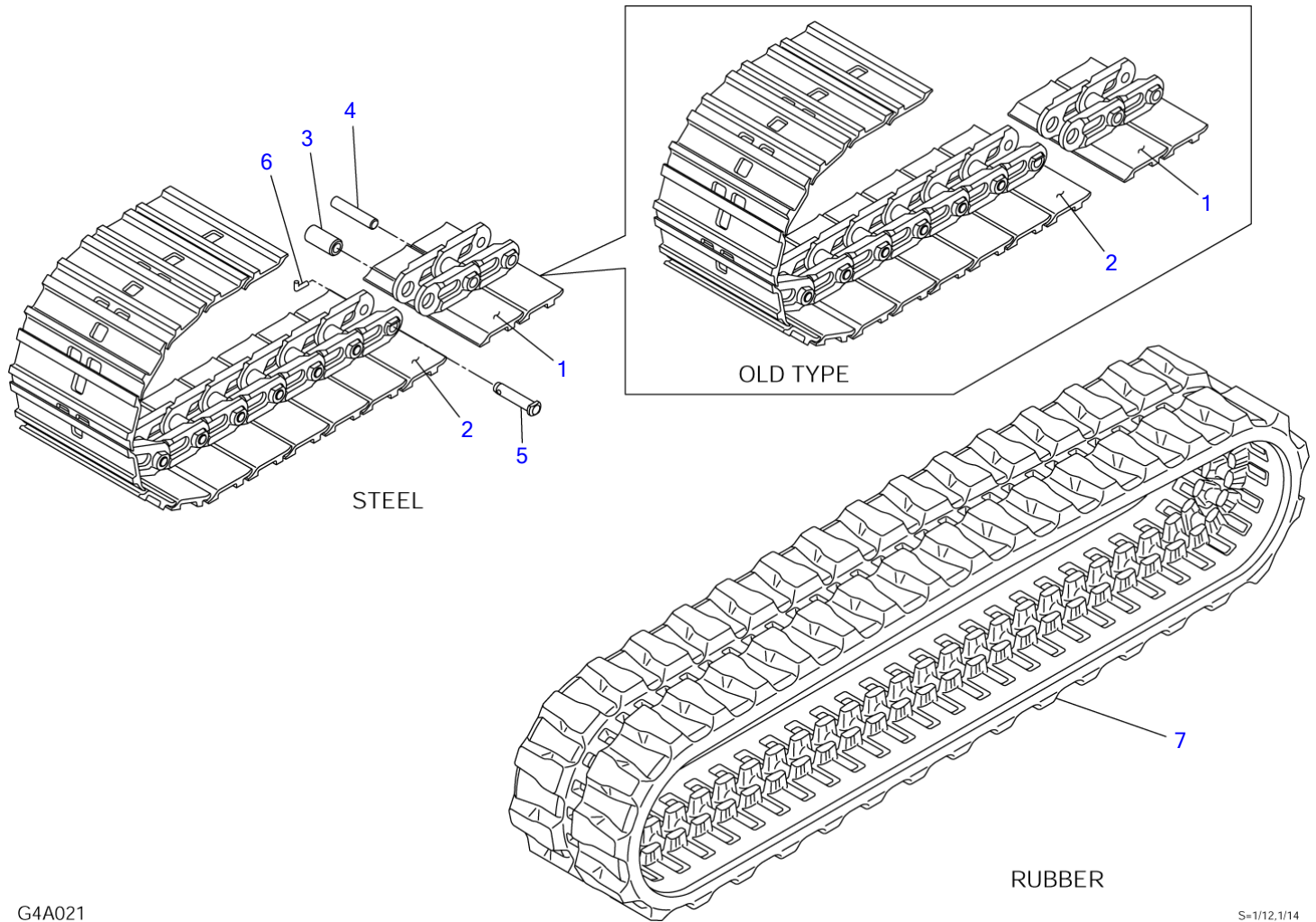
G4A011

S-1/12

**LOWER FRAME**

| Item | Part number       | Description       | Q'ty | Chan. | Serial No.        | Serv. | Remarks        |
|------|-------------------|-------------------|------|-------|-------------------|-------|----------------|
|      |                   | FRAME ASSY, lower |      |       |                   |       | X03710-11000-1 |
| 1    | X *****           | FRAME             | 1    |       |                   |       |                |
| 2    | <b>0471001400</b> | COVER             | 2    | (L)   | 13510004~13518088 |       |                |
|      | <b>0351006010</b> | COVER             | 2    |       | 13518089~         |       |                |
| 3    | <b>0431003600</b> | COVER             | 1    |       |                   |       |                |
| 4    | <b>0331018600</b> | COVER             | 2    |       |                   |       |                |
| 5    | <b>1100040816</b> | BOLT              | 4    |       |                   |       |                |
| 6    | <b>1100041020</b> | BOLT              | 10   |       |                   |       |                |
| 7    | <b>1140020008</b> | WASHER, spring    | 4    |       |                   |       |                |
| 8    | <b>1140020010</b> | WASHER, spring    | 10   |       |                   |       |                |
| 9    | <b>1141110008</b> | WASHER            | 4    |       |                   |       |                |
| 10   | <b>1141110010</b> | WASHER            | 10   |       |                   |       |                |
| 11   | <b>1652533019</b> | CAP               | 2    |       | 13518089~         |       |                |
|      | <b>G4a011</b>     |                   |      |       |                   |       |                |

TB135 Book No. BG4Z010 S/N 13510004-  
CRAWLER BELT

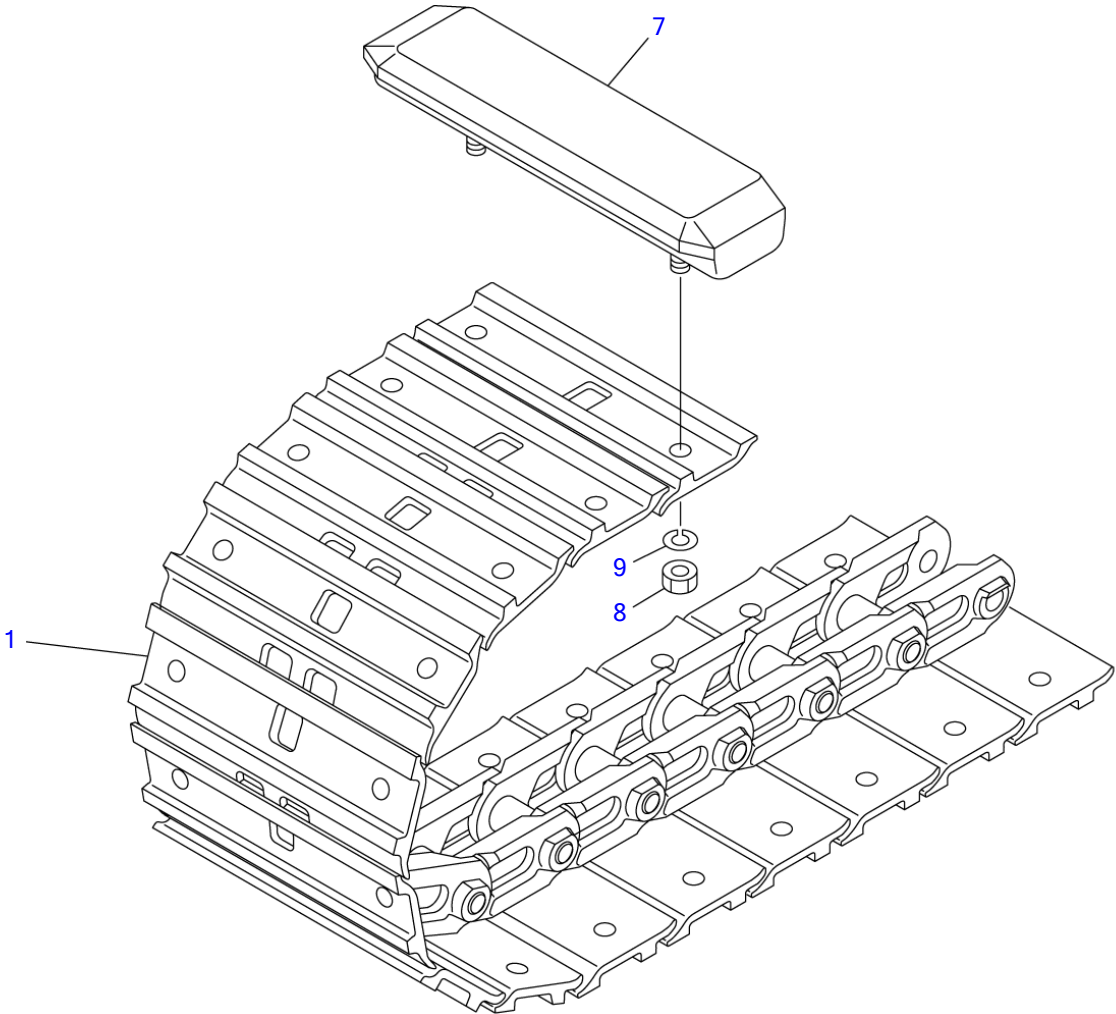


G4A021

S=1/12,1/14

**CRAWLER BELT**

| Item | Part number       | Description          | Q'ty | Chan. | Serial No.        | Serv. | Remarks |
|------|-------------------|----------------------|------|-------|-------------------|-------|---------|
| 0-1  | <b>1914054200</b> | BELT, steel crawler  | 2    |       | old type          |       |         |
|      | <b>1914054300</b> | BELT, steel crawler  | 2    | (H)   | new type          |       |         |
| 1    | <b>1914054213</b> | ▪ PLATE ASSY         | 42   |       | old type          |       |         |
|      | <b>1914054313</b> | ▪ PLATE ASSY         | 42   |       | new type          |       |         |
| 2    | <b>1914054214</b> | ▪ PLATE ASSY, master | 1    |       | old type          |       |         |
|      | <b>1914054314</b> | ▪ PLATE ASSY, master | 1    |       | new type          |       |         |
| 3    | <b>1914053505</b> | ▪ BUSHING            | 43   |       |                   |       |         |
| 4    | <b>1914053506</b> | ▪ PIN, track         | 42   |       |                   |       |         |
| 5    | <b>1914053507</b> | ▪ PIN, master        | 1    |       |                   |       |         |
| 6    | <b>1914053508</b> | ▪ PIN, cotter        | 1    |       |                   |       |         |
| 7    | <b>1914068300</b> | BELT, rubber crawler | 2    |       | 13510004~13513664 |       |         |
|      | <b>1914068400</b> | BELT, rubber crawler | 2    | (H)   | 13513665~         |       |         |
|      | <b>G4a023</b>     |                      |      |       |                   |       |         |



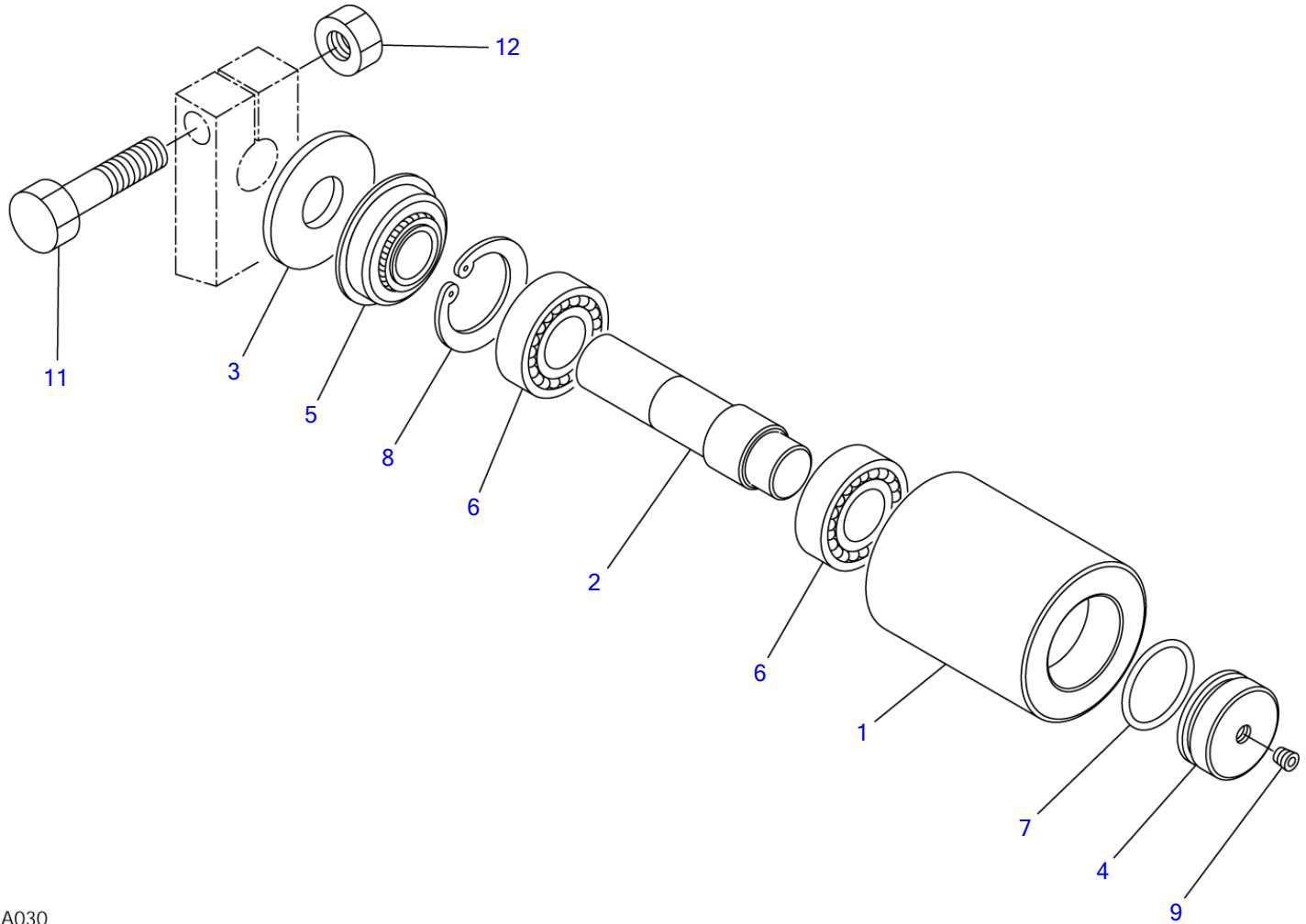
G4A112

S=1/6

**CRAWLER BELT (with rubber pads)**

| Item | Part number       | Description                                 | Q'ty | Chan. | Serial No. | Serv. | Remarks |
|------|-------------------|---|------|-------|------------|-------|---------|
| 0    | <b>1914054400</b> | BELT ASSY, steel crawler (with rubber pads) | 2    |       |            |       |         |
| 1    | <b>1914054300</b> | ▪ BELT, steel crawler                       | 1    |       |            |       |         |
| 7    | <b>1914400400</b> | ▪ PAD, rubber                               | 43   |       |            |       |         |
| 8    | <b>1130020012</b> | ▪ ▪ NUT                                     | 2    |       |            |       |         |
| 9    | <b>1140020012</b> | ▪ ▪ WASHER, spring                          | 2    |       |            |       |         |
|      | <b>G4a113</b>     |   |      |       |            |       |         |

TB135 Book No. BG4Z010 S/N 13510004-  
CARRIER ROLLER (13510004-13514104)



U1A030

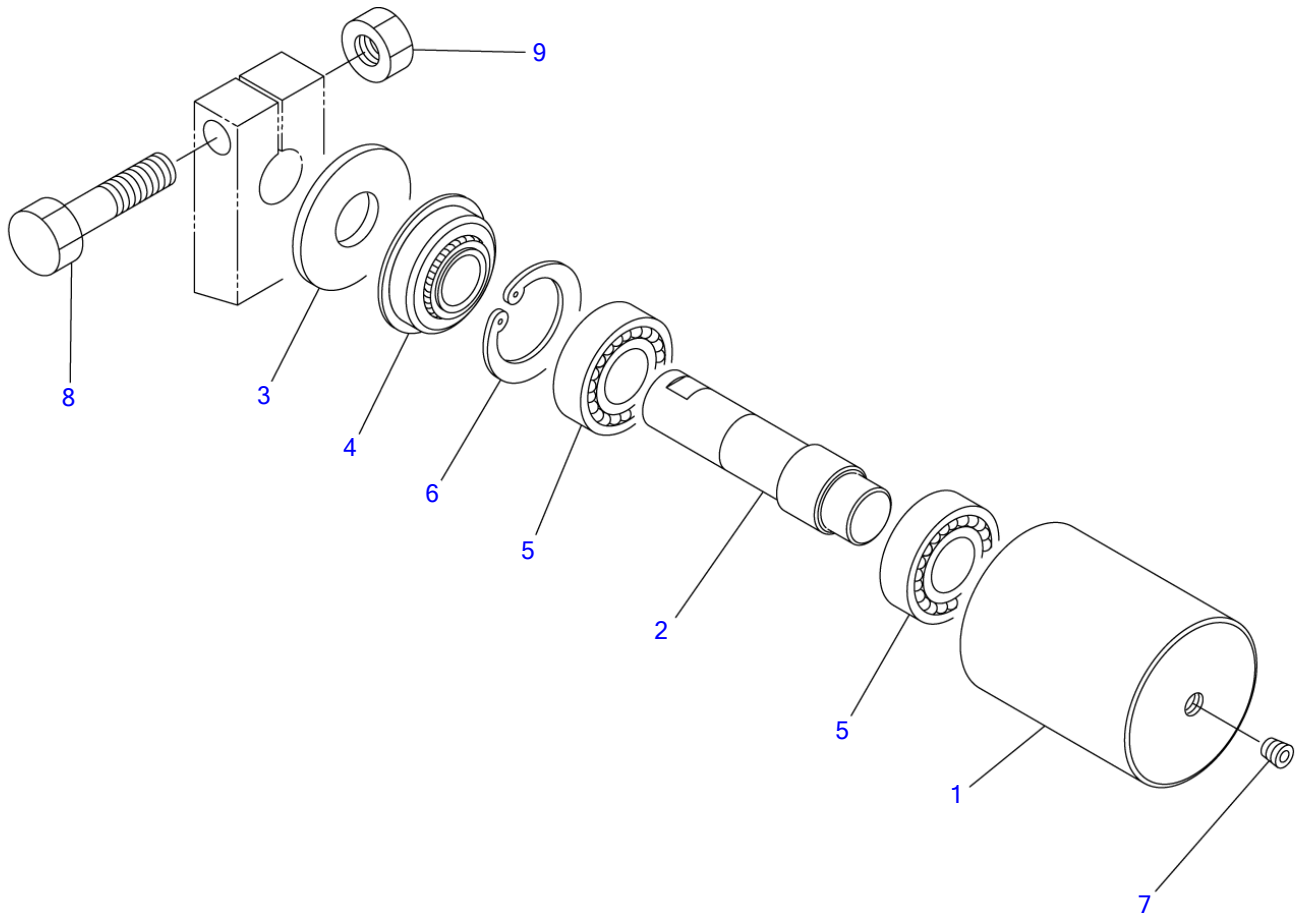
S=1/3



**CARRIER ROLLER (13510004-13514104)**

| Item | Part number       | Description          | Q'ty | Chan. | Serial No. | Serv. | Remarks        |
|------|-------------------|----------------------|------|-------|------------|-------|----------------|
|      |                   | ROLLER ASSY, carrier |      |       |            |       | X04312-02000-0 |
| 0-1  | <b>0431200500</b> | ROLLER SUB ASSY      | 2    |       |            |       |                |
| 1    | <b>0431200100</b> | · ROLLER             | 1    |       |            |       |                |
| 2    | <b>0431200200</b> | · SHAFT              | 1    |       |            |       |                |
| 3    | <b>0431200300</b> | · COVER              | 1    |       |            |       |                |
| 4    | <b>0431200400</b> | · COVER              | 1    |       |            |       |                |
| 5    | <b>1431202552</b> | · SEAL               | 1    |       |            |       |                |
| 6    | <b>1300006205</b> | · BEARING            | 2    |       |            |       |                |
| 7    | <b>1420100400</b> | · O-RING             | 1    |       |            |       |                |
| 8    | <b>1221000052</b> | · RING, snap         | 1    |       |            |       |                |
| 9    | <b>1501810001</b> | · PLUG               | 1    |       |            |       |                |
| 11   | <b>1100051060</b> | BOLT                 | 2    |       |            |       |                |
| 12   | <b>1130050010</b> | NUT                  | 2    |       |            |       |                |
|      | <b>U1a030</b>     |                      |      |       |            |       |                |

TB135 Book No. BG4Z010 S/N 13510004-  
CARRIER ROLLER (13514105-)



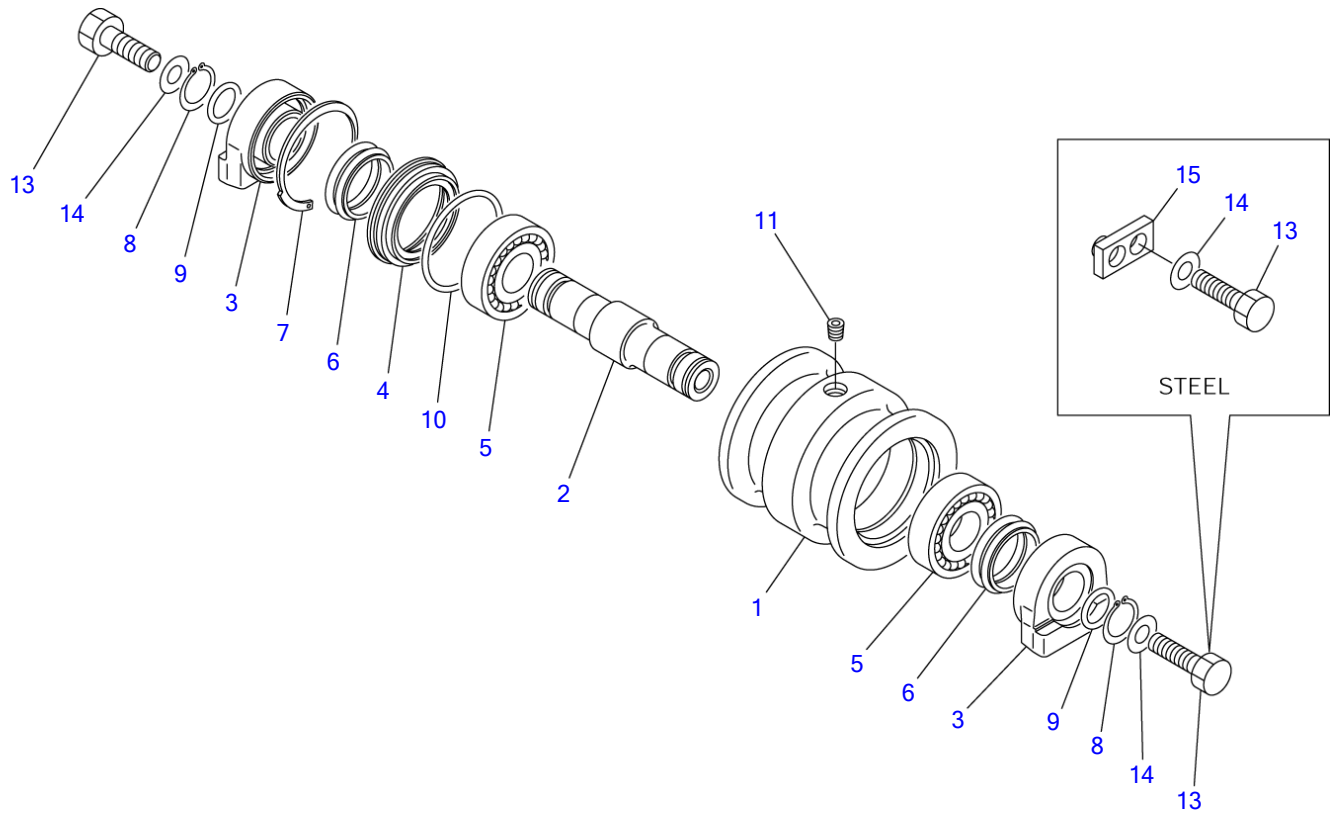
G4A100

S=1/3

**CARRIER ROLLER (13514105-)**

| Item | Part number       | Description          | Q'ty | Chan. | Serial No. | Serv. | Remarks        |
|------|-------------------|----------------------|------|-------|------------|-------|----------------|
|      |                   | ROLLER ASSY, carrier |      |       |            |       | X03712-00000-1 |
| 0-1  | <b>0371200100</b> | ROLLER SUB ASSY      | 2    |       |            |       |                |
| 1    | <b>0371200110</b> | ▪ ROLLER             | 1    |       |            |       |                |
| 2    | <b>0431200200</b> | ▪ SHAFT              | 1    |       |            |       |                |
| 3    | <b>0431200300</b> | ▪ COVER              | 1    |       |            |       |                |
| 4    | <b>1431202552</b> | ▪ SEAL               | 1    |       |            |       |                |
| 5    | <b>1300006205</b> | ▪ BEARING            | 2    |       |            |       |                |
| 6    | <b>1221000052</b> | ▪ RING, snap         | 1    |       |            |       |                |
| 7    | <b>1501820001</b> | ▪ PLUG               | 1    |       |            |       |                |
| 8    | <b>1100041060</b> | BOLT                 | 2    |       |            |       |                |
| 9    | <b>1130040010</b> | NUT                  | 2    |       |            |       |                |
|      | <b>G4a100</b>     |                      |      |       |            |       |                |

TB135 Book No. BG4Z010 S/N 13510004-  
TRACK ROLLER



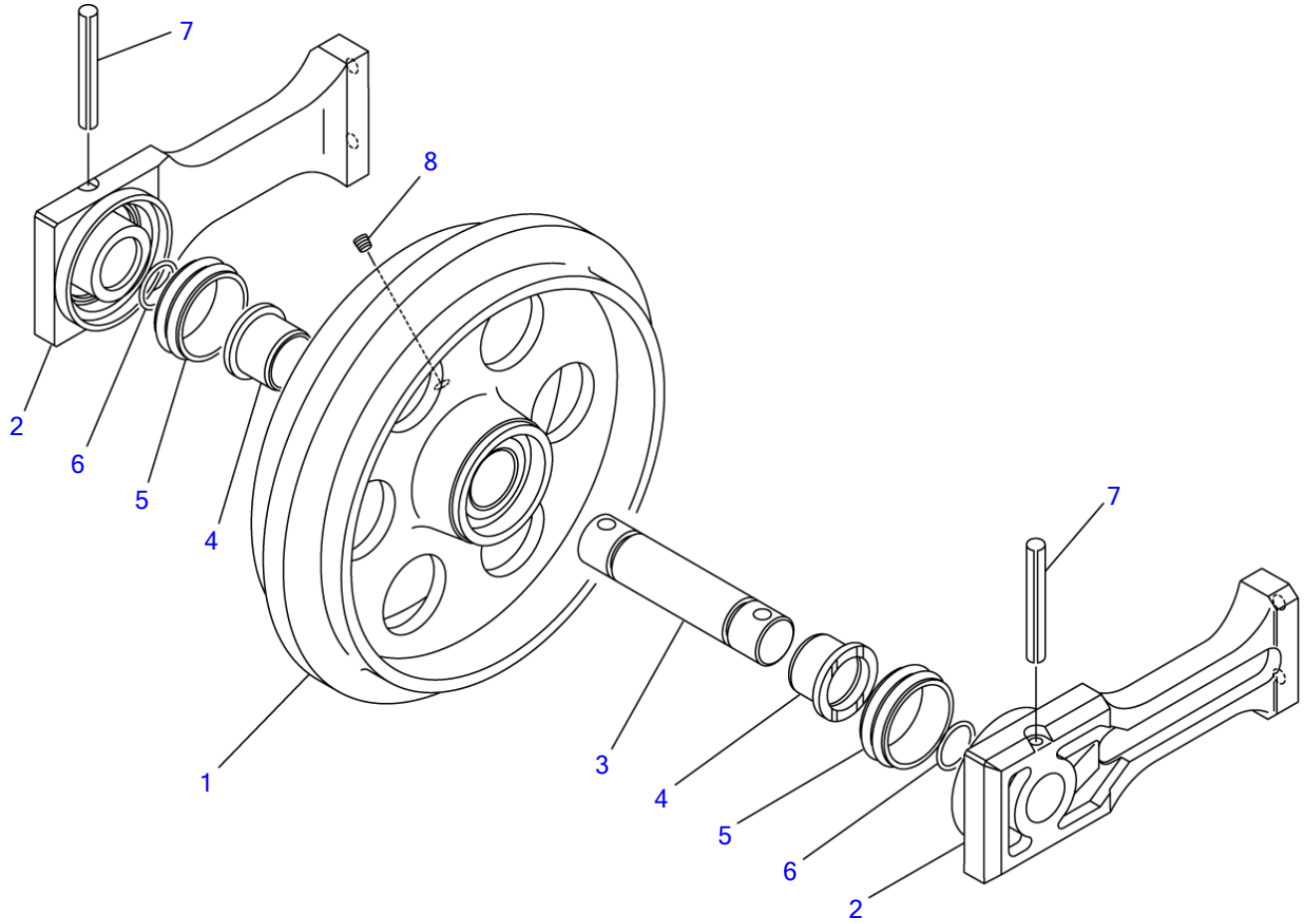
G4A030

S=1/5

**TRACK ROLLER**

| Item | Part number       | Description                 | Q'ty | Chan. | Serial No. | Serv. | Remarks        |
|------|-------------------|-----------------------------|------|-------|------------|-------|----------------|
|      |                   | ROLLER ASSY, track (steel)  |      |       |            |       | X03713-00000-2 |
|      |                   | ROLLER ASSY, track (rubber) |      |       |            |       | X04313-11000-2 |
| 0-1  | <b>0431311100</b> | ROLLER SUB ASSY, track      | 8    |       |            |       |                |
| 1    | <b>0431311300</b> | • ROLLER                    | 1    |       |            |       |                |
| 2    | <b>0431310200</b> | • SHAFT                     | 1    |       |            |       |                |
| 3    | <b>0431310300</b> | • COVER                     | 2    |       |            |       |                |
| 4    | <b>0431300400</b> | • RETAINER                  | 1    |       |            |       |                |
| 5    | <b>1300006306</b> | • BEARING                   | 2    |       |            |       |                |
| 6    | <b>1432500450</b> | • SEAL, floating            | 2    |       |            |       |                |
| 7    | <b>1222015080</b> | • RING, seeger              | 1    |       |            |       |                |
| 8    | <b>1220000030</b> | • RING, snap                | 2    |       |            |       |                |
| 9    | <b>1420100250</b> | • O-RING                    | 2    |       |            |       |                |
| 10   | <b>1420100700</b> | • O-RING                    | 1    |       |            |       |                |
| 11   | <b>1501810001</b> | • PLUG                      | 1    |       |            |       |                |
| 13   | <b>1101051440</b> | BOLT                        | 16   |       |            |       |                |
|      | <b>1101051450</b> | BOLT                        | 16   |       |            |       | steel          |
| 14   | <b>1141540014</b> | WASHER                      | 16   |       |            |       |                |
| 15   | <b>0371300100</b> | STOPPER                     | 16   |       |            |       | steel          |
|      | <b>G4a031</b>     |                             |      |       |            |       |                |

TB135 Book No. BG4Z010 S/N 13510004-  
FRONT IDLER

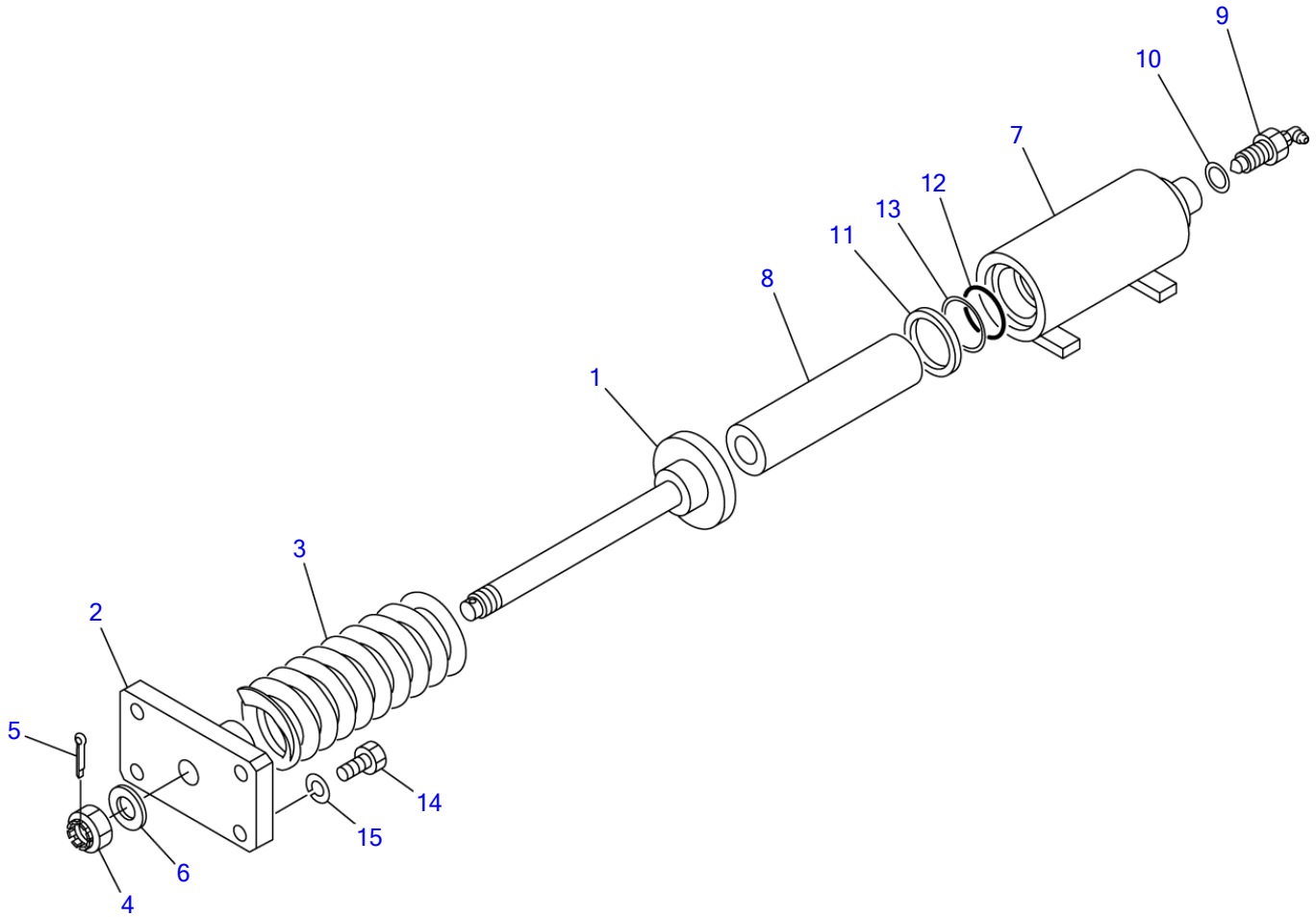


U1A050

S=1/5

| FRONT IDLER |                   |                   |      |       |                   |       |                |
|-------------|-------------------|-------------------|------|-------|-------------------|-------|----------------|
| Item        | Part number       | Description       | Q'ty | Chan. | Serial No.        | Serv. | Remarks        |
| 0-1         | <b>0431410000</b> | IDLER ASSY, front | 2    | (L)   | 13510004~13512646 |       | X04314-10000-3 |
|             | <b>0371400000</b> | IDLER ASSY, front | 2    | (H)   | 13512647~         |       | X03714-00000-2 |
| 1           | <b>0431401100</b> | ▪ IDLER           | 1    |       | 13510004~13512646 |       |                |
|             | <b>0371400100</b> | ▪ IDLER           | 1    |       | 13512647~         |       |                |
| 2           | <b>0431410100</b> | ▪ BLOCK           | 2    |       | 13510004~13512646 |       |                |
|             | <b>0371400200</b> | ▪ BLOCK           | 2    |       | 13512647~         |       |                |
| 3           | <b>0431410200</b> | ▪ SHAFT           | 1    |       | 13510004~13512646 |       |                |
|             | <b>0371400300</b> | ▪ SHAFT           | 1    |       | 13512647~         |       |                |
| 4           | <b>0431400600</b> | ▪ BUSHING         | 2    |       | 13510004~13512646 |       |                |
|             | <b>1333064039</b> | ▪ BUSHING         | 2    |       | 13512647~         |       |                |
| 5           | <b>1432500560</b> | ▪ SEAL, floating  | 2    |       | 13510004~13512646 |       |                |
|             | <b>1432500640</b> | ▪ SEAL, floating  | 2    |       | 13512647~         |       |                |
| 6           | <b>1420100300</b> | ▪ O-RING          | 2    |       | 13510004~13512646 |       |                |
|             | <b>1420100350</b> | ▪ O-RING          | 2    |       | 13512647~         |       |                |
| 7           | <b>1213000885</b> | ▪ PIN, spring     | 2    |       |                   |       |                |
| 8           | <b>1501810001</b> | ▪ PLUG            | 1    |       |                   |       |                |
|             | <b>G4a121</b>     |                   |      |       |                   |       |                |

TB135 Book No. BG4Z010 S/N 13510004-  
TRACK ADJUSTER



G4A040

S=1/6



**BUY NOW**

**Then Instant Download  
the Complete Manual  
Thank you very much!**