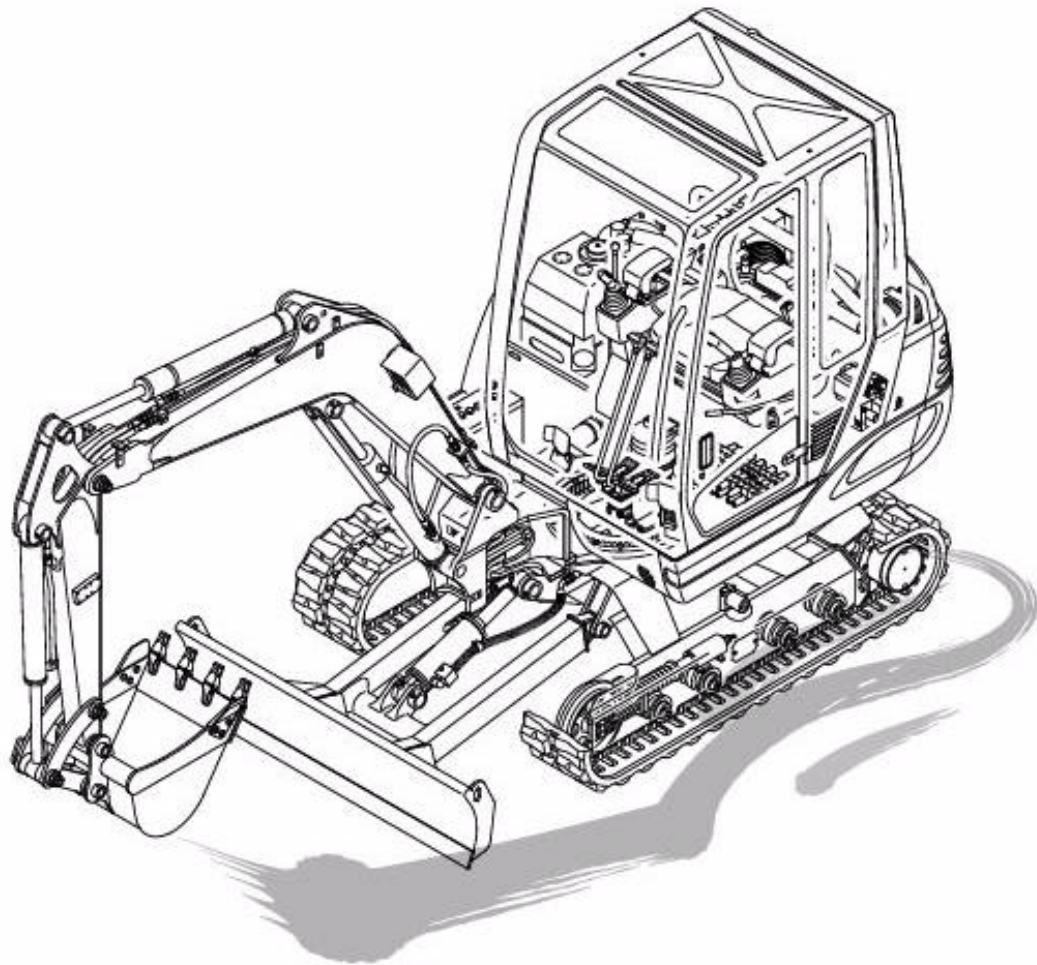


PARTS MANUAL

TB235

Serial No. 123500001~

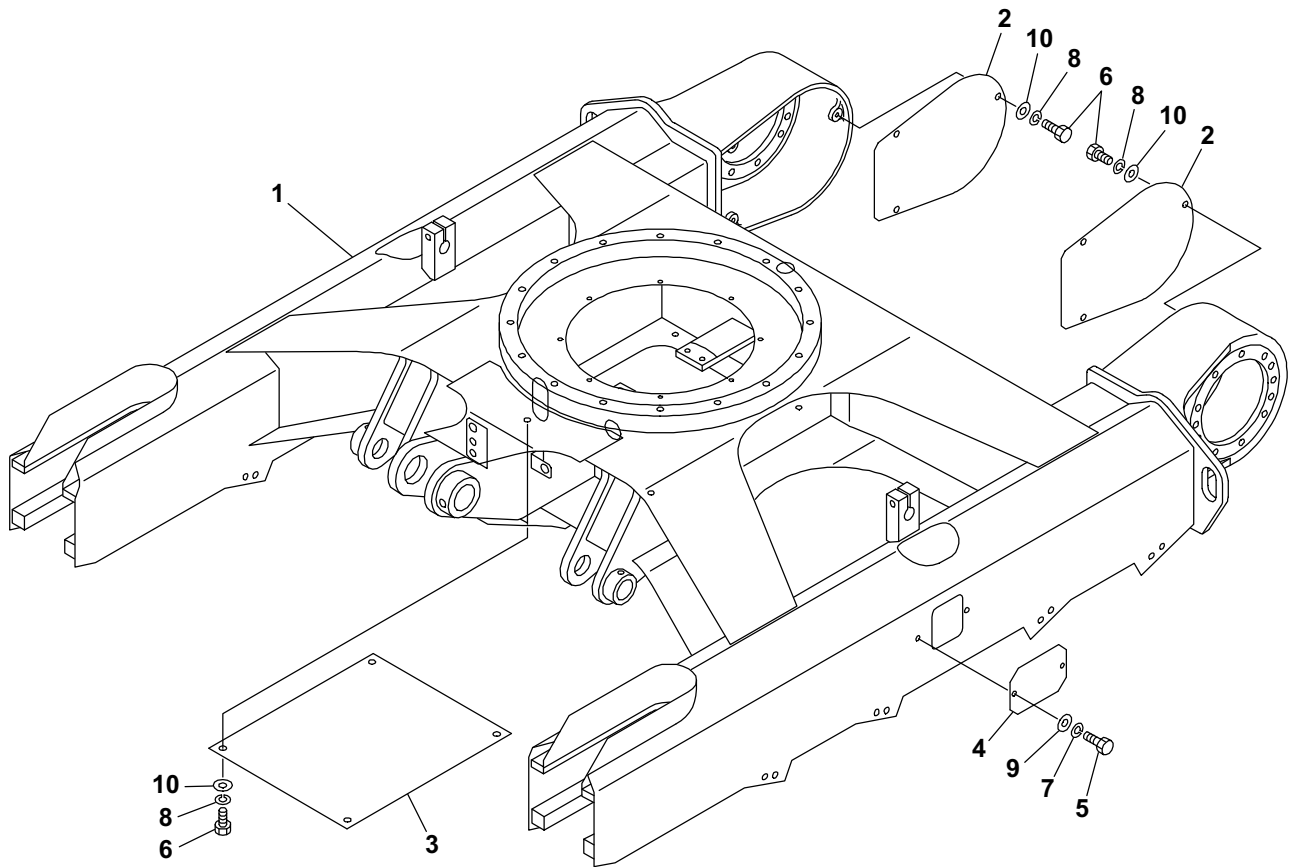
BG7Z002(P-TB235BAC)



MINI EXCAVATOR

TAKEUCHI

TB235 (P-TB235BAC) BG7Z002S/N 123500001-
LOWER FRAME



G7A010

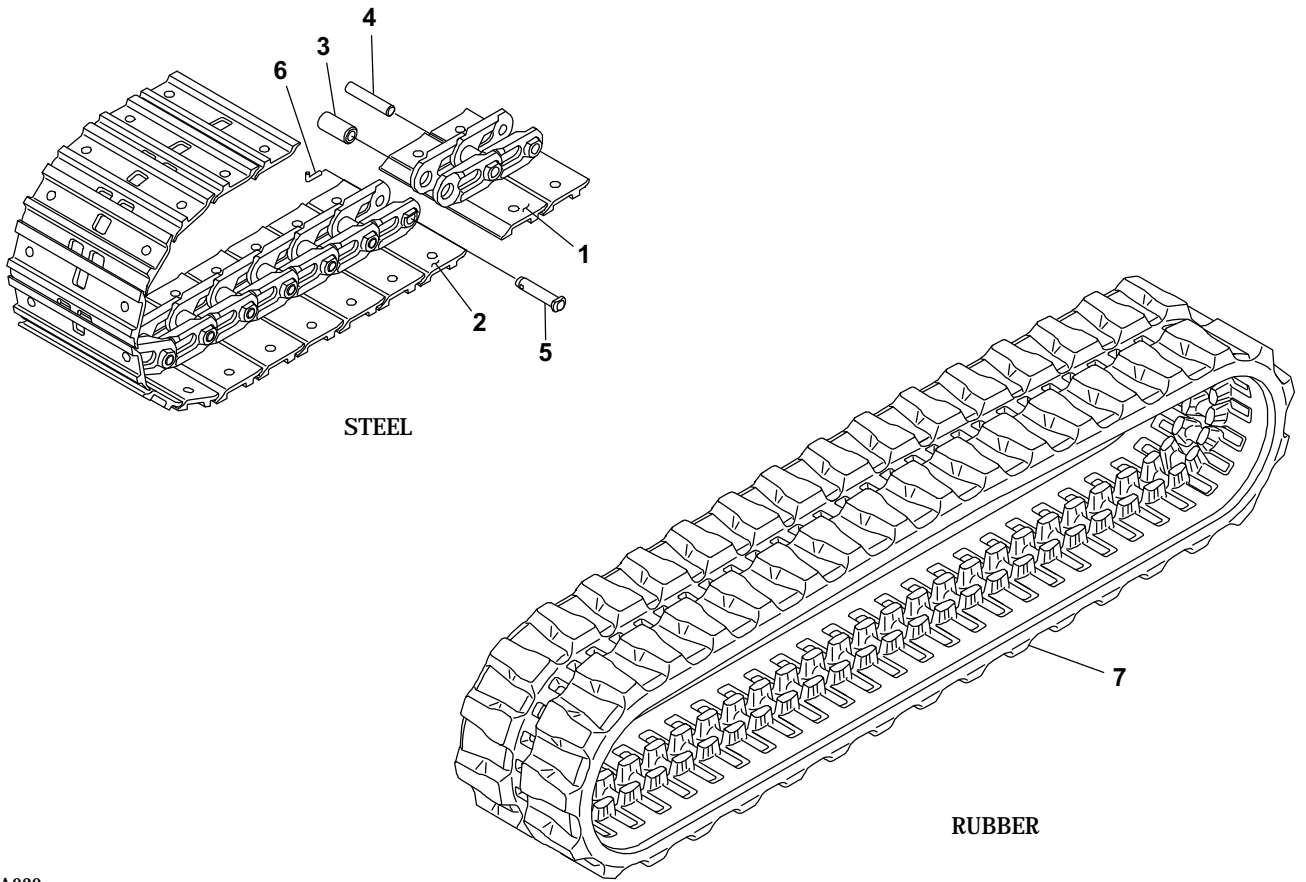
S-1/12

LOWER FRAME

Item	Part number	Description	Q'ty	Chan.	Serial No.	Serv.	Remarks
1	X *****	FRAME ASSY, lower	1				
2	0371019020	FRAME	2				
3	0431003600	COVER	1				
4	0331018600	COVER	2				
5	1100040816	COVER	4				
6	1100041020	BOLT	10				
7	1140020008	BOLT	4				
8	1140020010	WASHER, spring	10				
9	1141110008	WASHER, spring	4				
10	1141110010	WASHER	10				

G7a010

**TB235 (P-TB235BAC) BG7Z002S/N 123500001-
CRAWLER BELT**



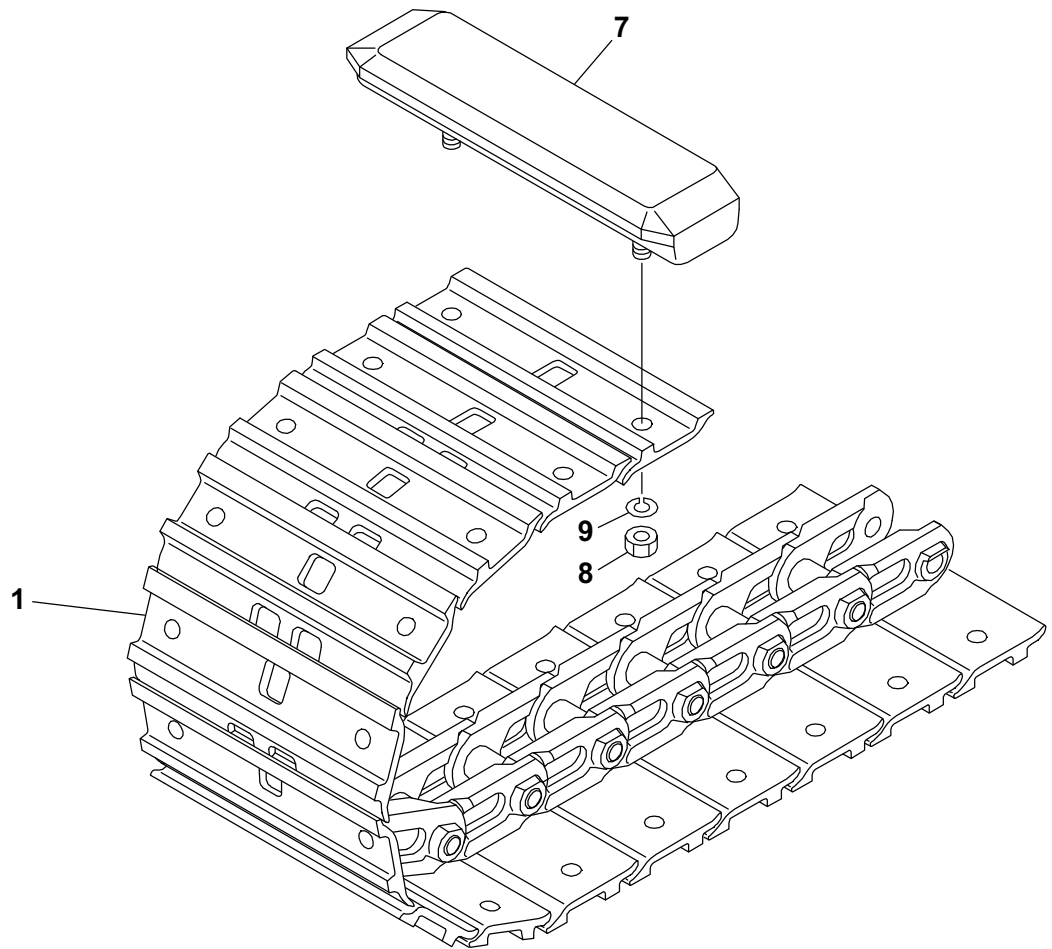
G7A020

S-1/12.1/14

CRAWLER BELT

Item	Part number	Description	Q'ty	Chan.	Serial No.	Serv.	Remarks
0-1	1914054300	BELT, steel crawler	2				
1	1914054313	· PLATE ASSY	42				
2	1914054314	· PLATE ASSY, master	1				
3	1914053505	· BUSHING	43				
4	1914053506	· PIN, track	42				
5	1914053507	· PIN, master	1				
6	1914053508	· PIN, cotter	1				
7	1914068400	BELT, rubber crawler	2		123500001~123500978		
	1914068420	BELT, rubber crawler	2	(H)	123500979~		M
	G7a021						

**TB235 (P-TB235BAC) BG7Z002S/N 123500001-
CRAWLER BELT (with rubber pads)**



G4A112

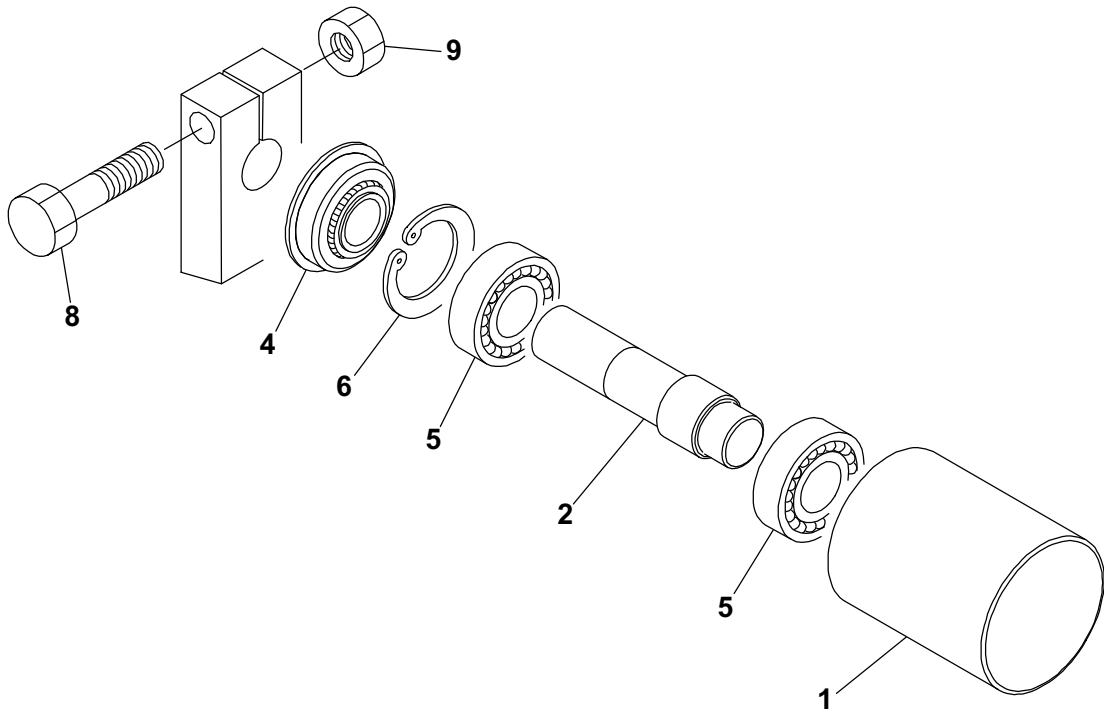
S=1/6

CRAWLER BELT (with rubber pads)

Item	Part number	Description	Q'ty	Chan.	Serial No.	Serv.	Remarks
0	1914054400	BELT ASSY, steel crawler (with rubber pads)	2				
1	1914054300	· BELT, steel crawler	1				
7	1914400400	· PAD, rubber	43				
8	1130020012	· · NUT	2				
9	1140020012	· · WASHER, spring	2				

G4a113

TB235 (P-TB235BAC) BG7Z002S/N 123500001-
CARRIER ROLLER



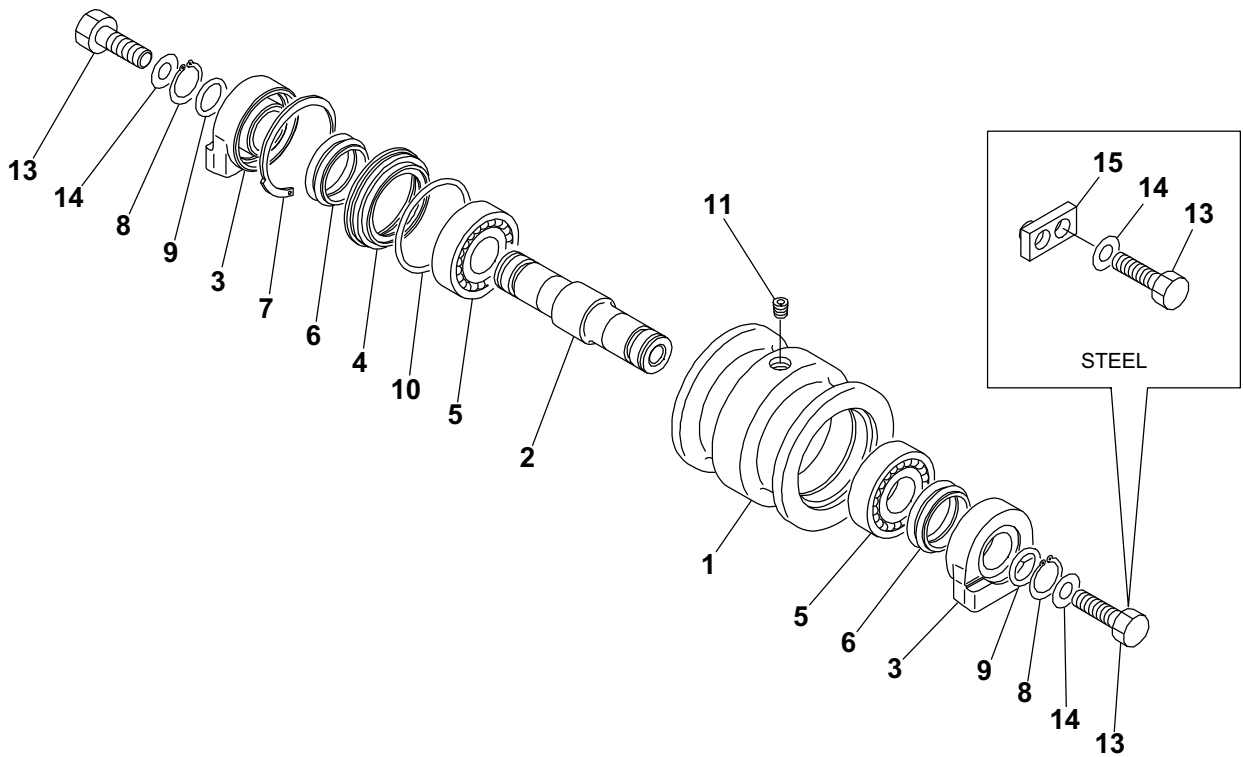
G7A030

S=1/3

CARRIER ROLLER

Item	Part number	Description	Q'ty	Chan.	Serial No.	Serv.	Remarks
0-1	0371200500	ROLLER ASSY, carrier					
		ROLLER SUB ASSY	2				
1	0371200510	· ROLLER	1				
2	0371200520	· SHAFT	1				
4	1431202552	· SEAL	1				
5	1300006205	· BEARING	2				
6	1221000052	· RING, snap	1				
8	1100041060	BOLT	2				
9	1130040010	NUT	2				
	G7a031						

TB235 (P-TB235BAC) BG7Z002S/N 123500001-
TRACK ROLLER



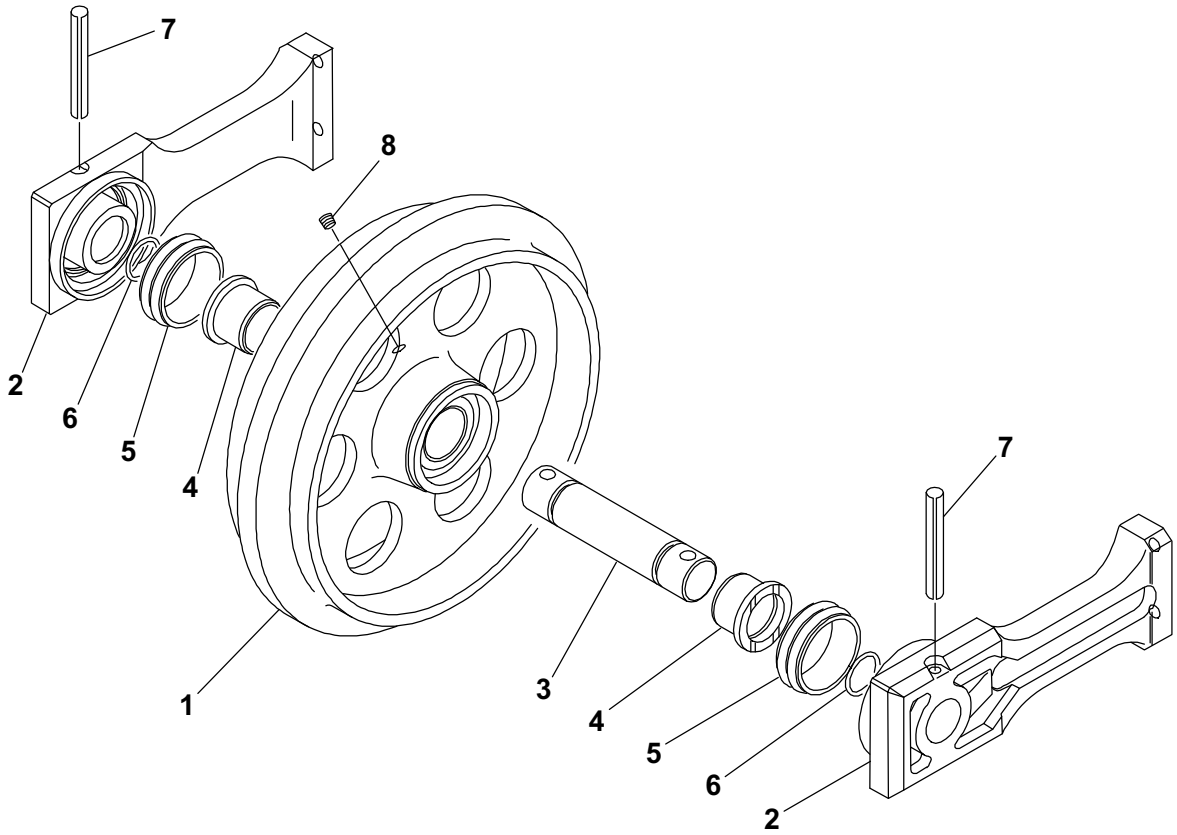
G4A030

S=1/5

TRACK ROLLER

Item	Part number	Description	Q'ty	Chan.	Serial No.	Serv.	Remarks
		ROLLER ASSY, track (steel)					
		ROLLER ASSY, track (rubber)					
0-1	0431311100	ROLLER SUB ASSY, track	8				
1	0431311300	· ROLLER	1				
2	0431310200	· SHAFT	1				
3	0431310300	· COVER	2				
4	0431300400	· RETAINER	1				
5	1300006306	· BEARING	2				
6	1432500450	· SEAL, floating	2				
7	1222015080	· RING, seeger	1				
8	1220000030	· RING, snap	2				
9	1420100250	· O-RING	2				
10	1420100700	· O-RING	1				
11	1501810001	· PLUG	1				
13	1101041440	BOLT	16				
	1101041450	BOLT	16				steel
14	1141550014	WASHER	16				
15	0371300100	STOPPER	16				steel
	G7a040						

TB235 (P-TB235BAC) BG7Z002S/N 123500001-
FRONT IDLER



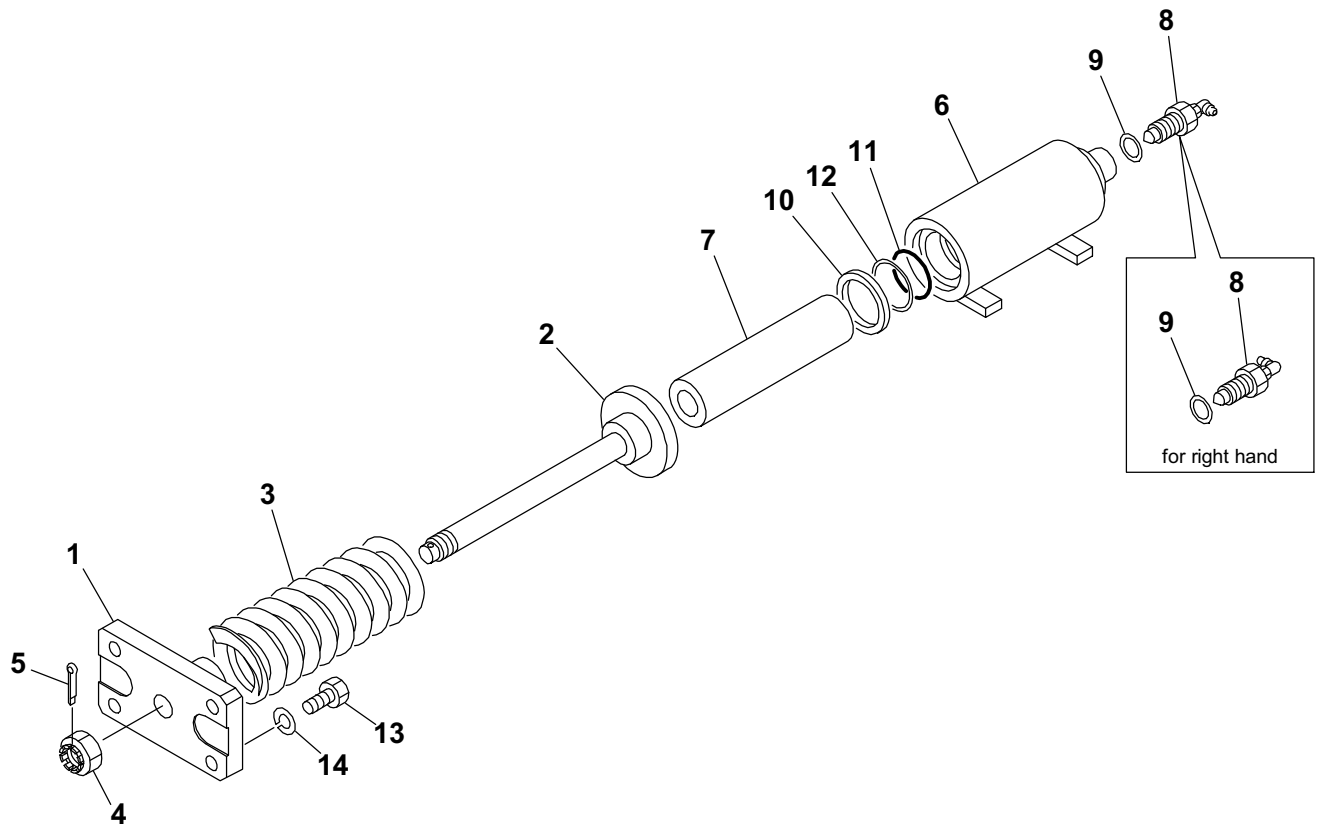
U1A050

S=1/5

FRONT IDLER

Item	Part number	Description	Q'ty	Chan.	Serial No.	Serv.	Remarks
0-1	0371400000	IDLER ASSY, front	2				
1	0371400100	· IDLER	1				
2	0371400200	· BLOCK	2				
3	0371400300	· SHAFT	1				
4	1333064039	· BUSHING	2				
5	1432500640	· SEAL, floating	2				
6	1420100350	· O-RING	2				
7	1213000885	· PIN, spring	2				
8	1501810001	· PLUG	1				
	G7a052						

TB235 (P-TB235BAC) BG7Z002S/N 123500001-
TRACK ADJUSTER



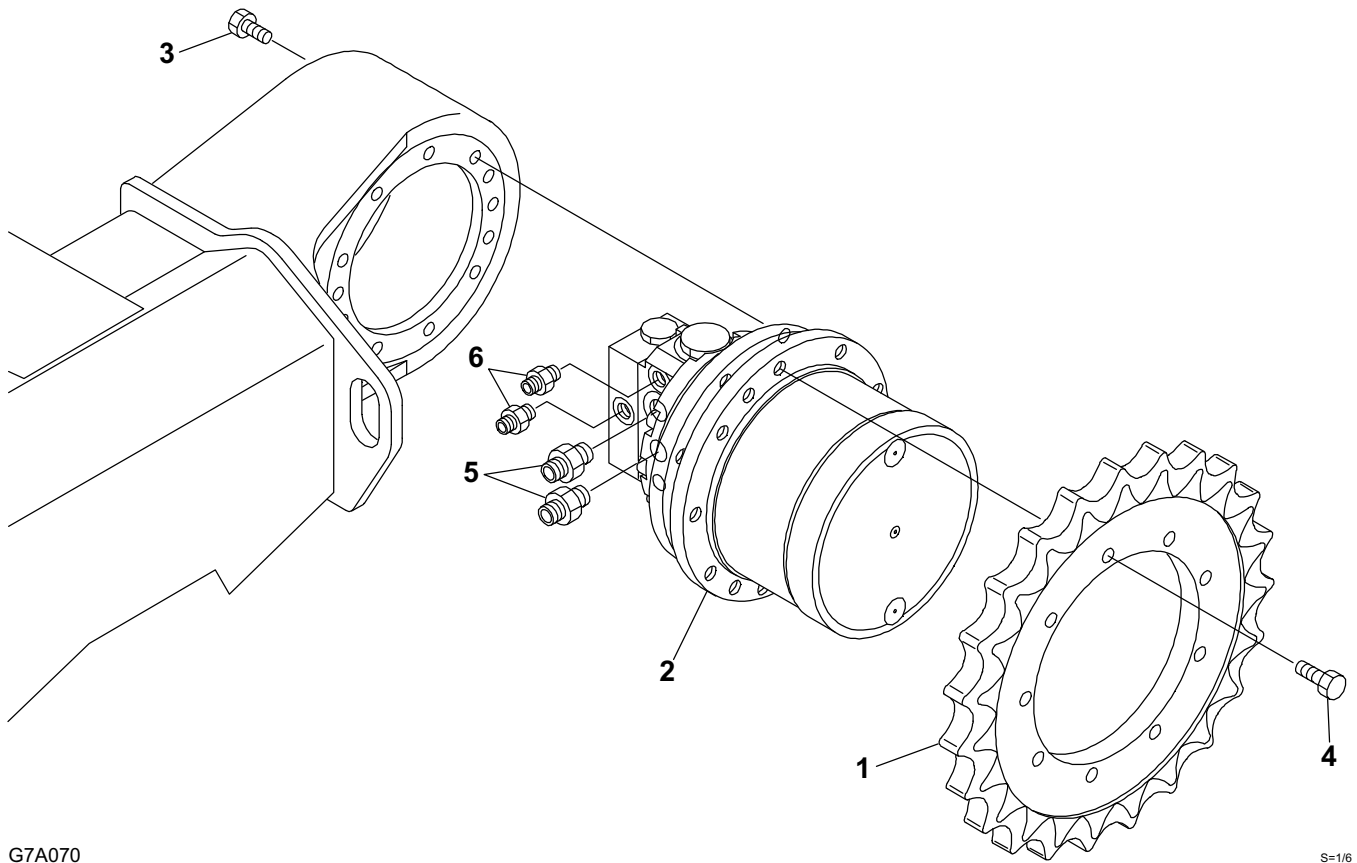
G7A060

S=1/6

TRACK ADJUSTER

Item	Part number	Description	Q'ty	Chan.	Serial No.	Serv.	Remarks
		SPRING ASSY (R.H.)					
		SPRING ASSY (L.H.)					
0-1	0371505100	SPRING SUB ASSY	2				
1	0371504510	· PLATE	1				
2	0341502510	· ROD	1				
3	0007000004	· SPRING	1				
4	1132530020	· NUT	1				
5	1210000440	· PIN, split	1				
0-2	0371501500	CYLINDER ASSY, grease	2				
6	0371501600	· CYLINDER, grease	1				
7	0371501700	· PISTON	1				
8	1541301602	· VALVE, check	1				
9	1541201616	· WASHER	1				
10	1400402640	· SEAL, oil	1				
11	1422010450	· O-RING	1				
12	1421020450	· RING, back-up	1				
13	1101041240	BOLT	8				
14	1140020012	WASHER, spring	8				
	G7a061						

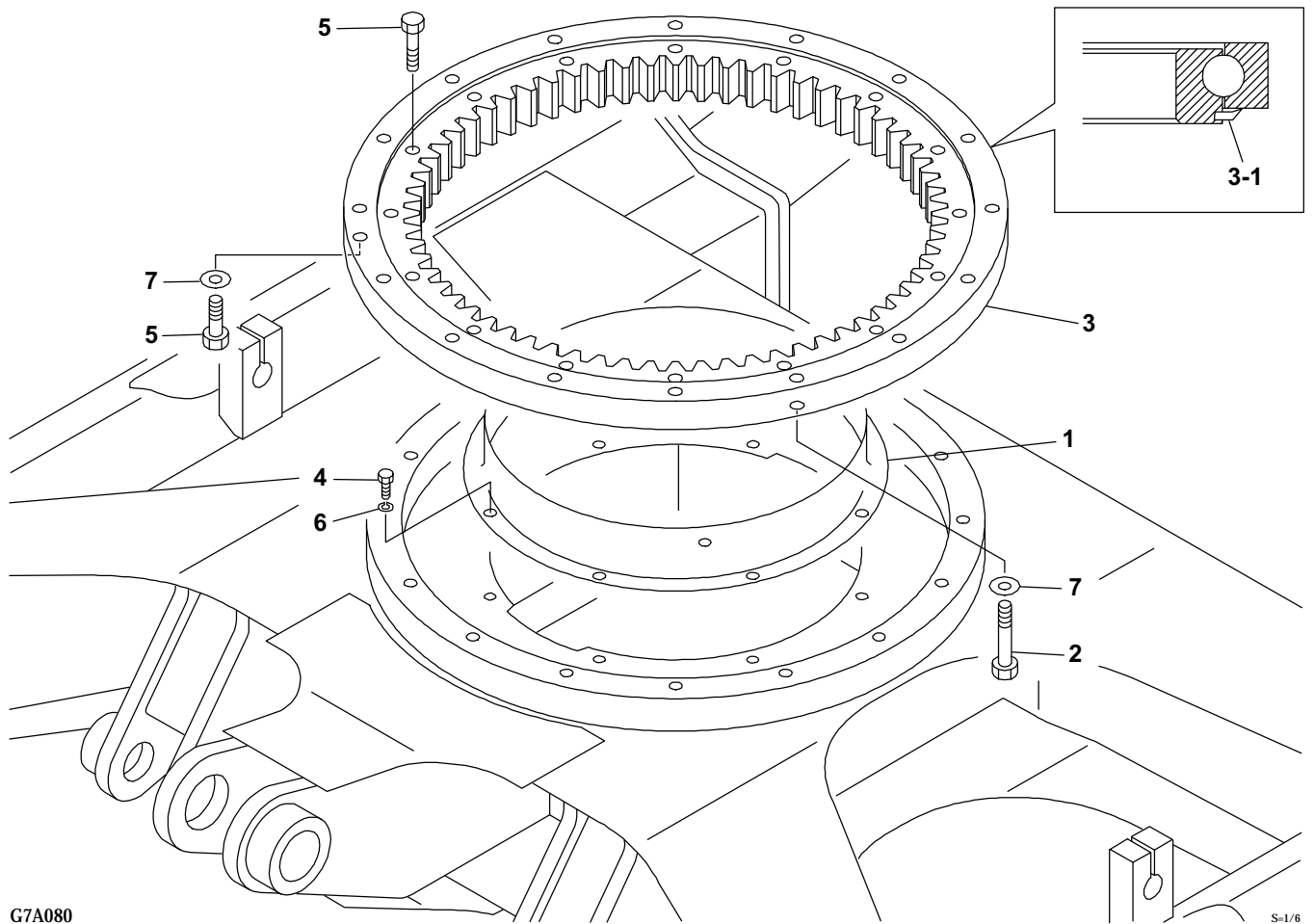
**TB235 (P-TB235BAC) BG7Z002S/N 123500001-
TRAVEL DEVICE**



TRAVEL DEVICE

Item	Part number	Description	Q'ty	Chan.	Serial No.	Serv.	Remarks
1	0431610100	MOTOR ASSY, travel	2				
2	1903126800	SPROCKET	2				
3	1100041230	MOTOR, travel	2				
3	1100041230	BOLT	24				
4	1100041235	BOLT	18				
5	1515600577	ADAPTOR	4				
	1420010180	· O-RING	1				
6	1515600200	ADAPTOR	4				
	1420010110	· O-RING	1				
	G7a070						

**TB235 (P-TB235BAC) BG7Z002S/N 123500001-
SLEW BEARING**



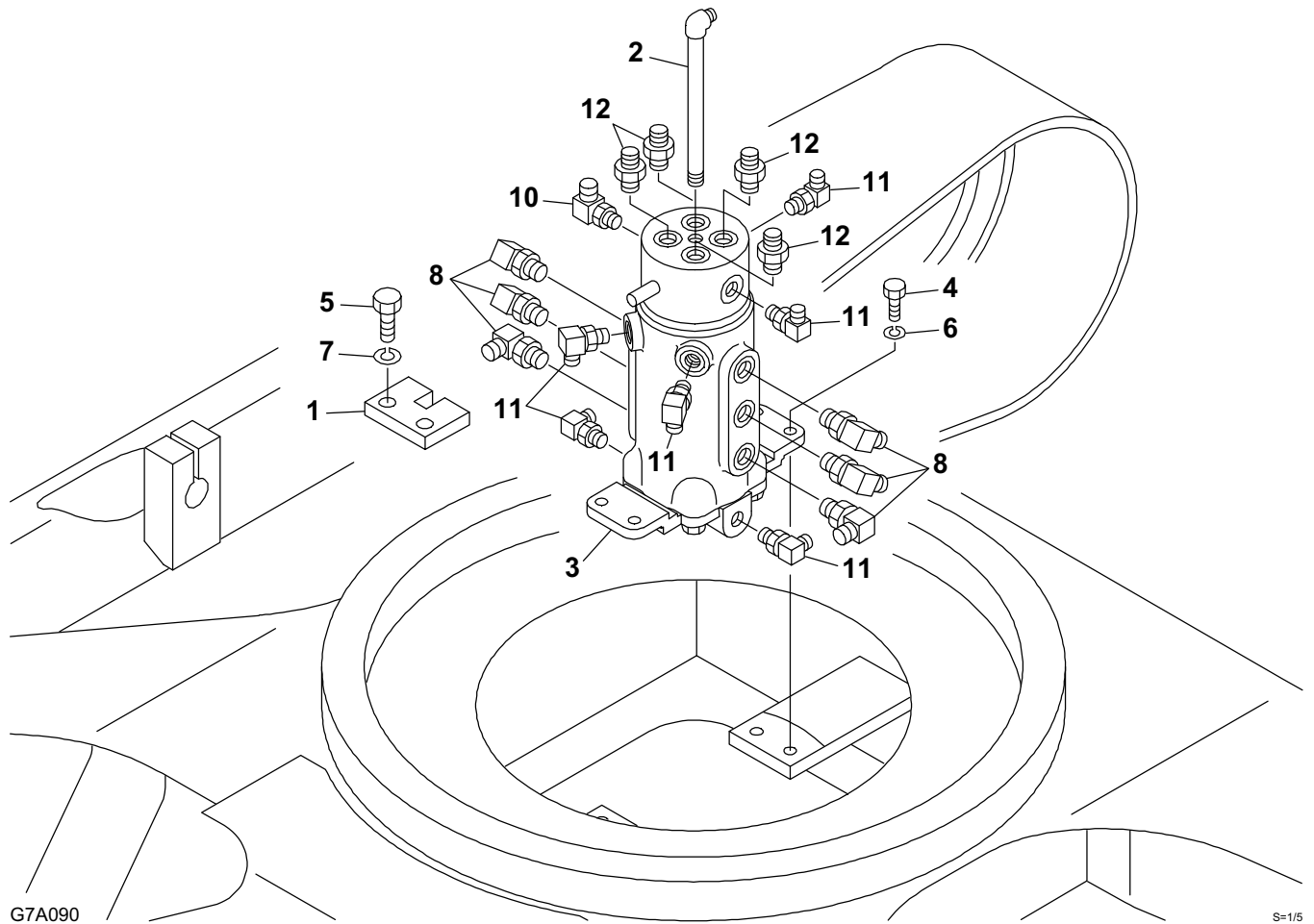
G7A080

S-1/6

SLEW BEARING

Item	Part number	Description	Q'ty	Chan.	Serial No.	Serv.	Remarks
1	0432300100	BEARING ASSY, slew	1				
2	0352000100	BATH, grease	1				
3	1913003750	BOLT	1				
3-1	1913003709	BEARING	1				
4	1100040816	· SEAL	1				
4	1100040816	BOLT	8				
5	1101051265	BOLT	31				
6	1140020008	WASHER, spring	8				
7	1141550012	WASHER	16				
	G7a081						

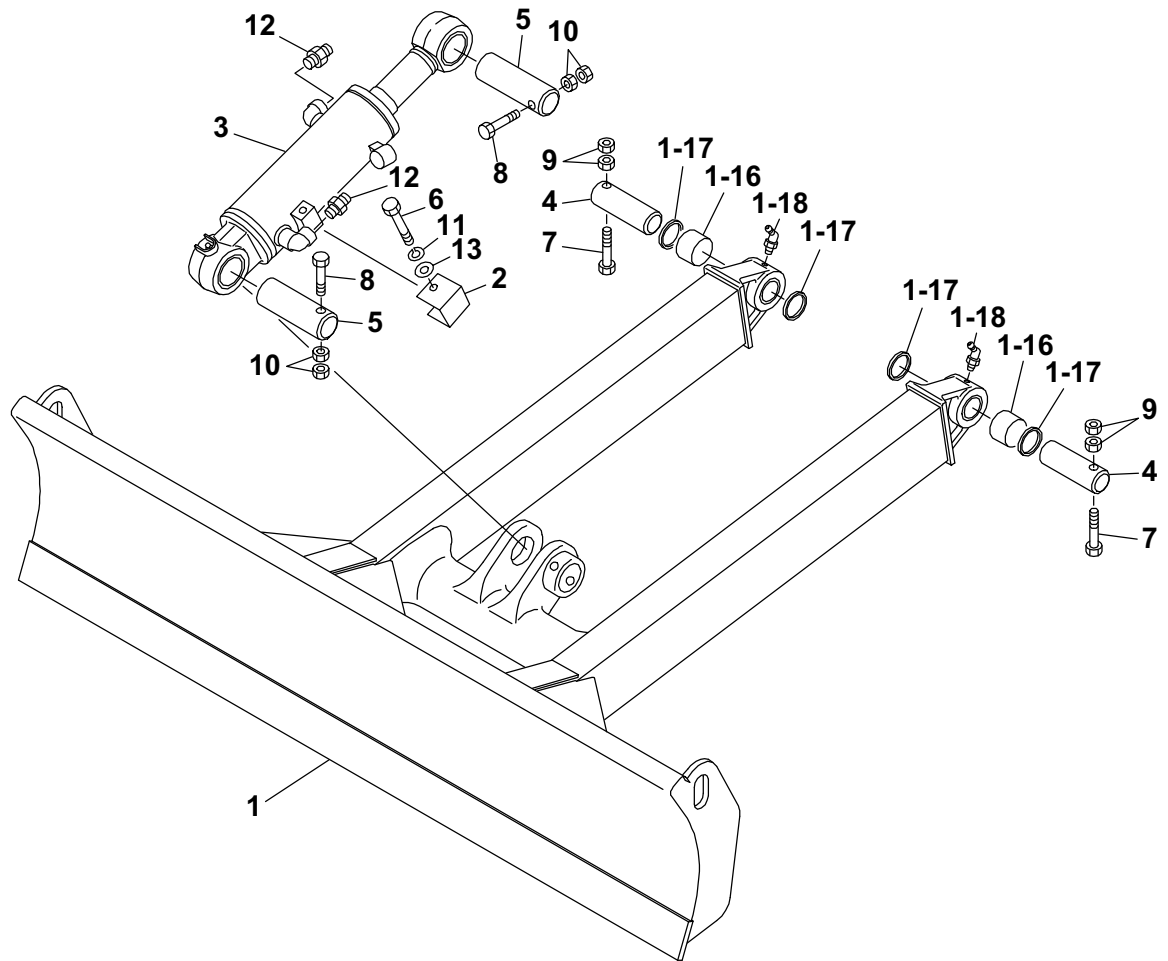
**TB235 (P-TB235BAC) BG7Z002S/N 123500001-
SWIVEL JOINT & ACCESSORIES**



SWIVEL JOINT & ACCESSORIES

Item	Part number	Description	Q'ty	Chan.	Serial No.	Serv.	Remarks
		JOINT ASSY, swivel					
1	0072100100	COLLAR	1				
2	0432102100	ELBOW	1				
3	1904008600	JOINT, swivel	1				
4	1100041025	BOLT	4				
5	1101041230	BOLT	2				
6	1140020010	WASHER, spring	4				
7	1140020012	WASHER, spring	2				
8	1515010041	ELBOW	6				
	1420010140	· O-RING	1				
10	1515010130	ELBOW	1				
	1420010110	· O-RING	1				
11	1515012040	ELBOW	6				
	1420010110	· O-RING	1				
12	1515600201	ADAPTOR	4				
	1420010140	· O-RING	1				
	G7a091						

TB235 (P-TB235BAC) BG7Z002S/N 123500001-
DOZER BLADE



G7A101

S=1/12

DOZER BLADE

Item	Part number	Description	Q'ty	Chan.	Serial No.	Serv.	Remarks
1	0376313100	BLADE ASSY, dozer	1				
1-16	0436312300	· BUSHING	2				
1-17	1432200040	· SEAL, dust	4				
1-18	1560001900	· FITTING, grease	2				
2	0426300400	COVER	1				
3	1900091700	CYLINDER, dozer blade	1				
4	0001613003	PIN	2				
5	0001616002	PIN	2				
6	1100040860	BOLT	1				
7	1103041085	BOLT	2				
8	1103141200	BOLT	2				
9	1130240010	NUT	4				
10	1130240012	NUT	4				
11	1140020008	WASHER, spring	1				
12	1515600201	ADAPTOR	2				
	1420010140	· O-RING	1				
13	1141110008	WASHER	1				
	G7a101						

BUY NOW

**Then Instant Download
the Complete Manual
Thank you very much!**