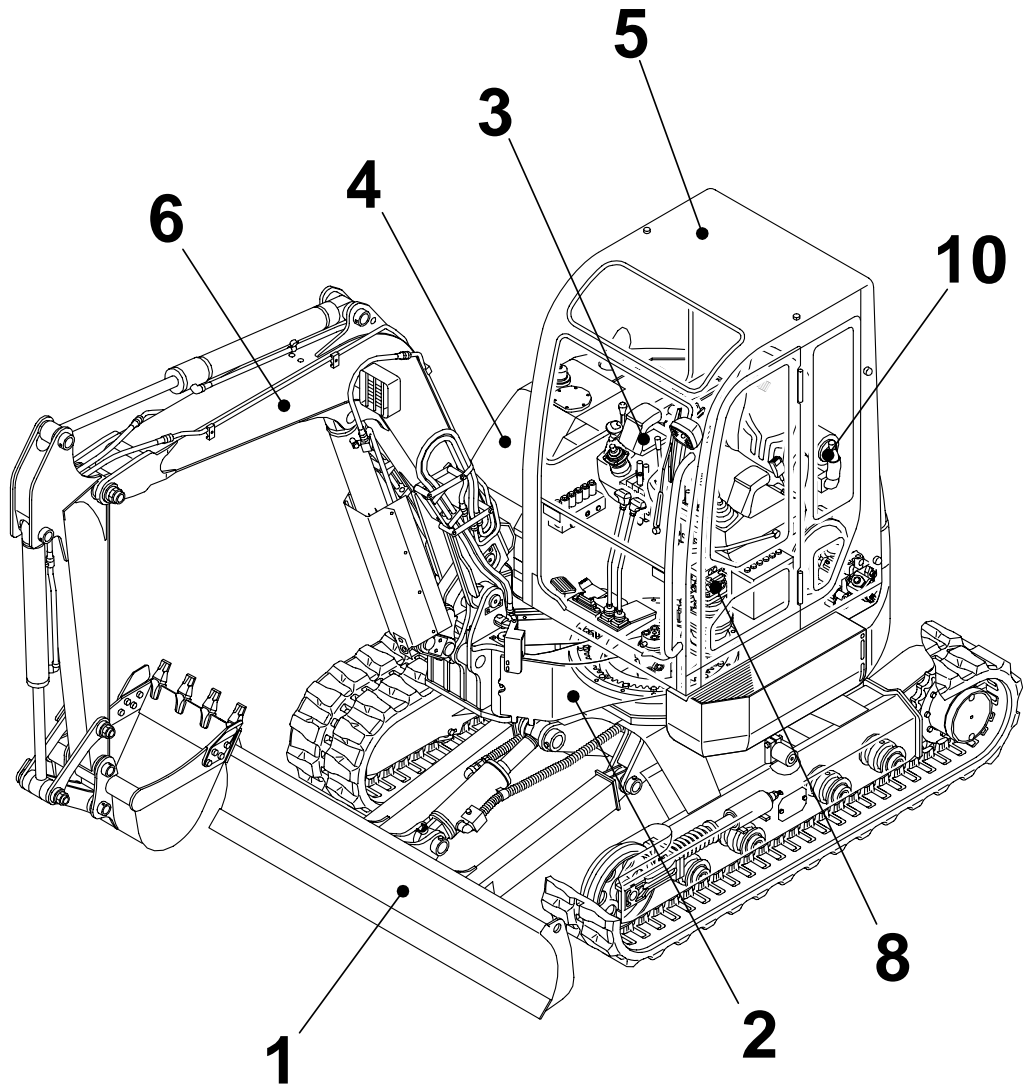


TB53FR

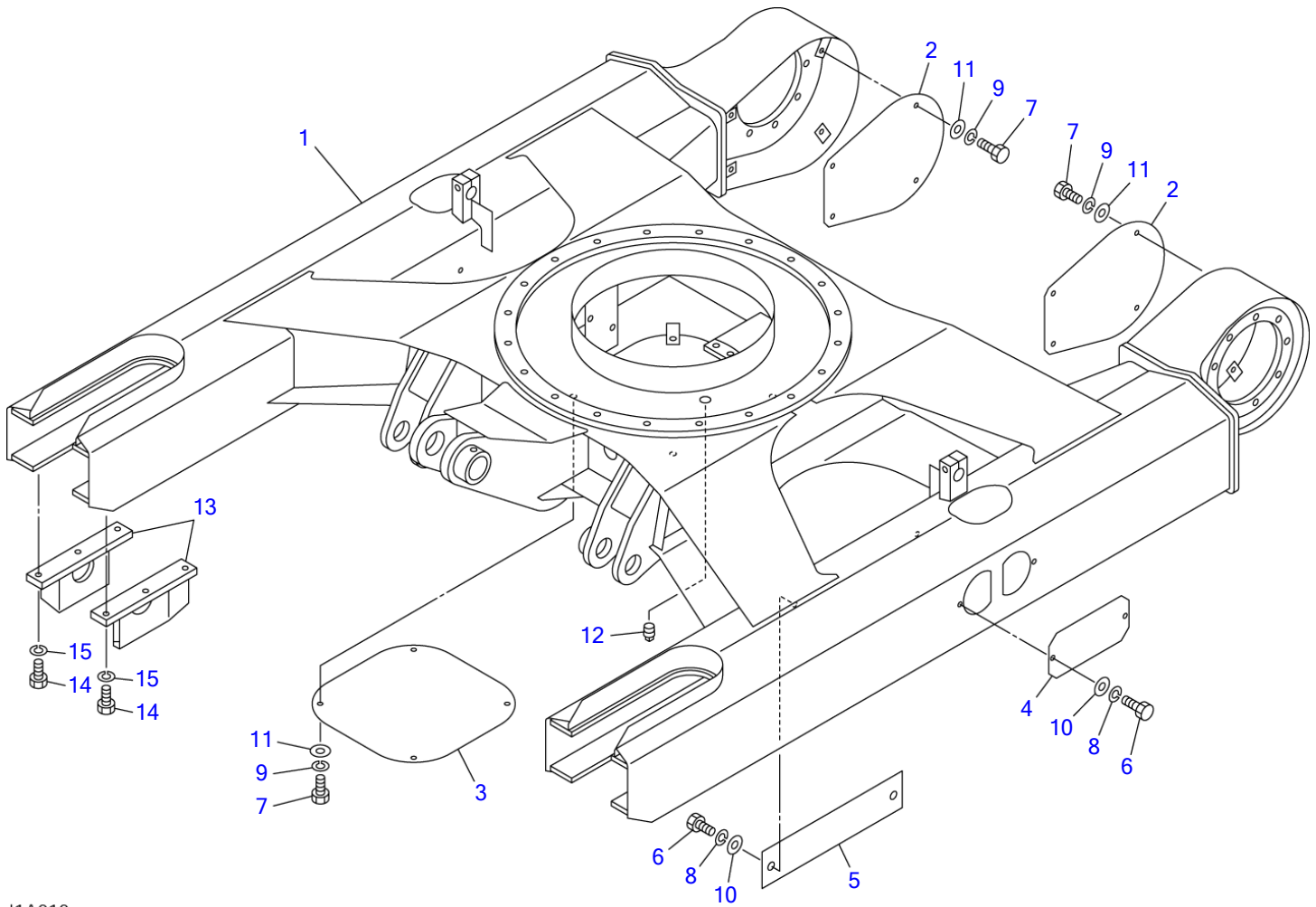
Book No. BJ1Z006

Serial No.15810005-15811324

(2005.12)



TAIKENOCHI

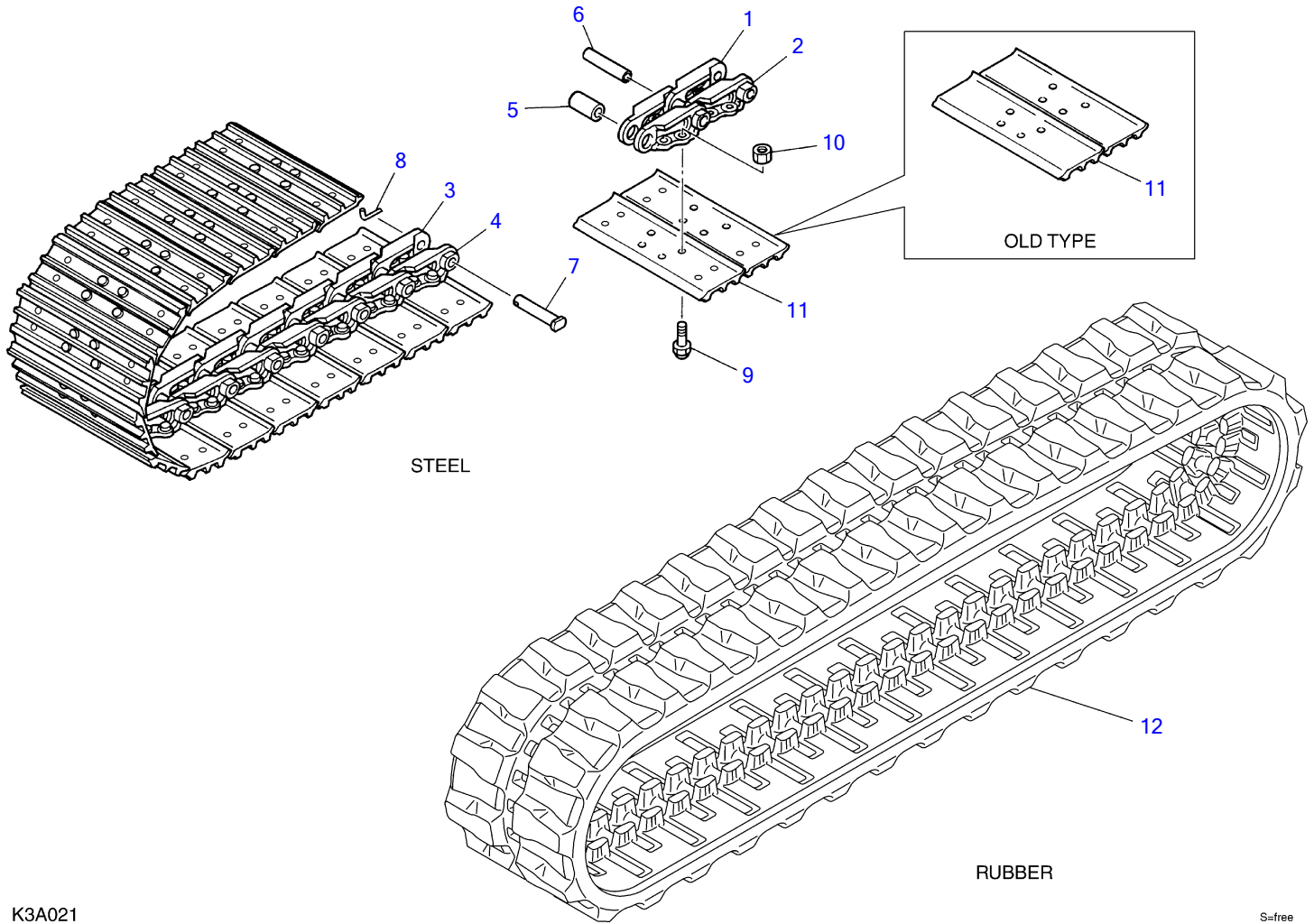


J1A010

S=1/14

LOWER FRAME

Item	Part number	Description	Q'ty	Chan.	Serial No.	Serv.	Remarks
Item	Part number	•” •j -¼ 0	?	Chan.	Serial No.	Mod.	Remarks
		FRAME ASSY, lower (rubber)					X03910-09500-0
		FRAME ASSY, lower (steel)					X03910-09900-0
1	X *****	FRAME	1				
2	0391004002	COVER	2				
3	0391004003	COVER	1				
4	0391005010	COVER	2				
5	0561019400	COVER	2				
6	1100040816	BOLT	8				
7	1100041020	BOLT	12				
8	1140020008	WASHER, spring	8				
9	1140020010	WASHER, spring	12				
10	1141110008	WASHER	8				
11	1141110010	WASHER	12				
12	1508710010	PLUG	1				
13	0461000700	GUIDE, shoe	4				steel
14	1101041230	BOLT	12				steel
15	1140020012	WASHER, spring	12				steel
	J1a010						

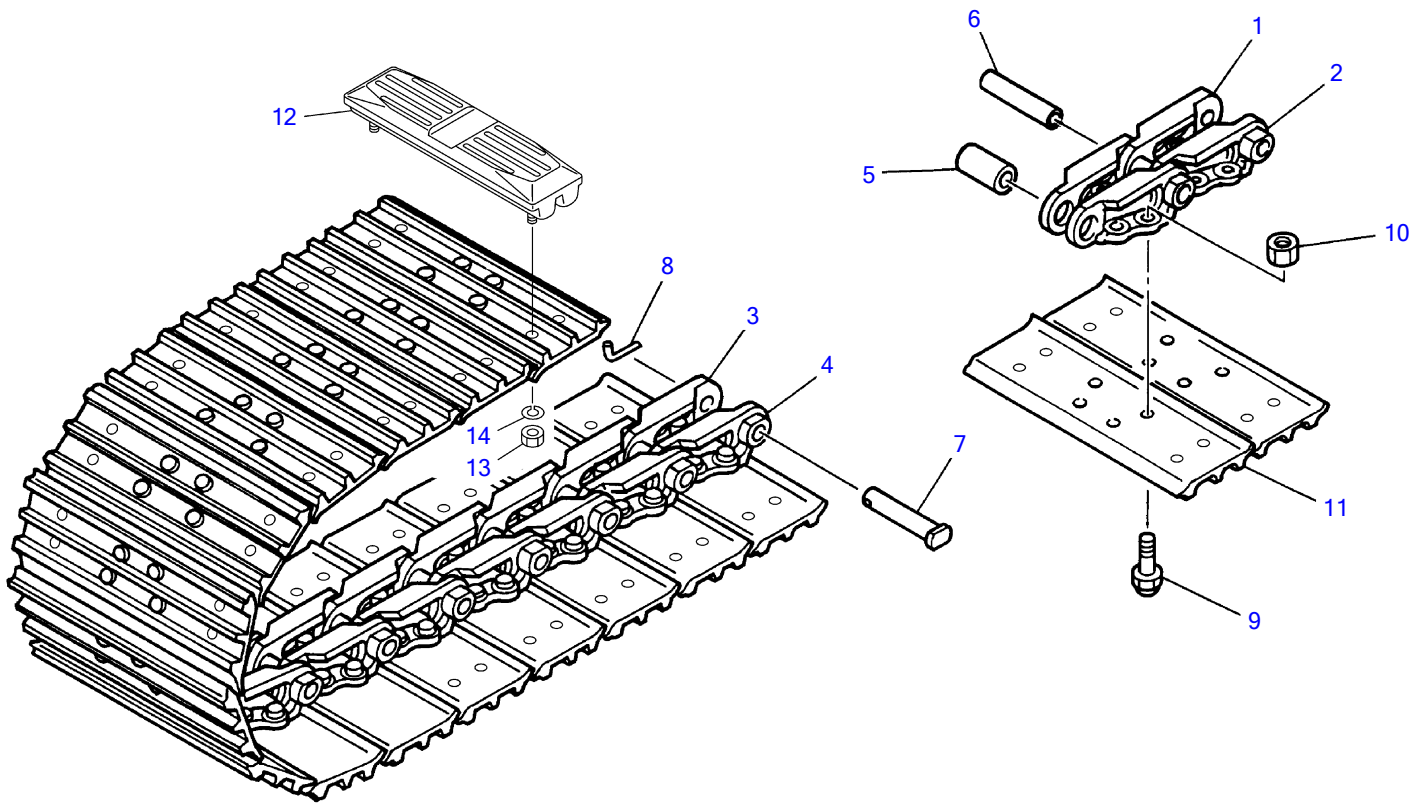


K3A021

S=free

CRAWLER BELT

Item	Part number	Description	Q'ty	Chan.	Serial No.	Serv.	Remarks
0	1914051300	BELT, steel crawler (380wide)	2		old type		X19140-51300-0
	1914051600	BELT, steel crawler (400wide)	2	(H)	new type		X19140-51600-0
1	1914039001	· LINK (R.H.)	37				
2	1914039002	· LINK (L.H.)	37				
3	1914039003	· LINK, master (R.H.)	1				
4	1914039004	· LINK, master (L.H.)	1				
5	1914039012	· BUSHING	38				
6	1914039006	· PIN, track	37				
7	1914039007	· PIN, master	1				
8	1914039008	· PIN	1				
9	1914039009	· BOLT	152				
10	1914033010	· NUT	152				
11	1914051311	· PLATE, shoe	38		old type		380wide
	1914051611	· PLATE, shoe	38		new type		400wide
12	1914065400	BELT, rubber crawler	2	(L)	15810005~15810524		
	1914065500	BELT, rubber crawler	2	(H)	15810525~		
	J1a023						



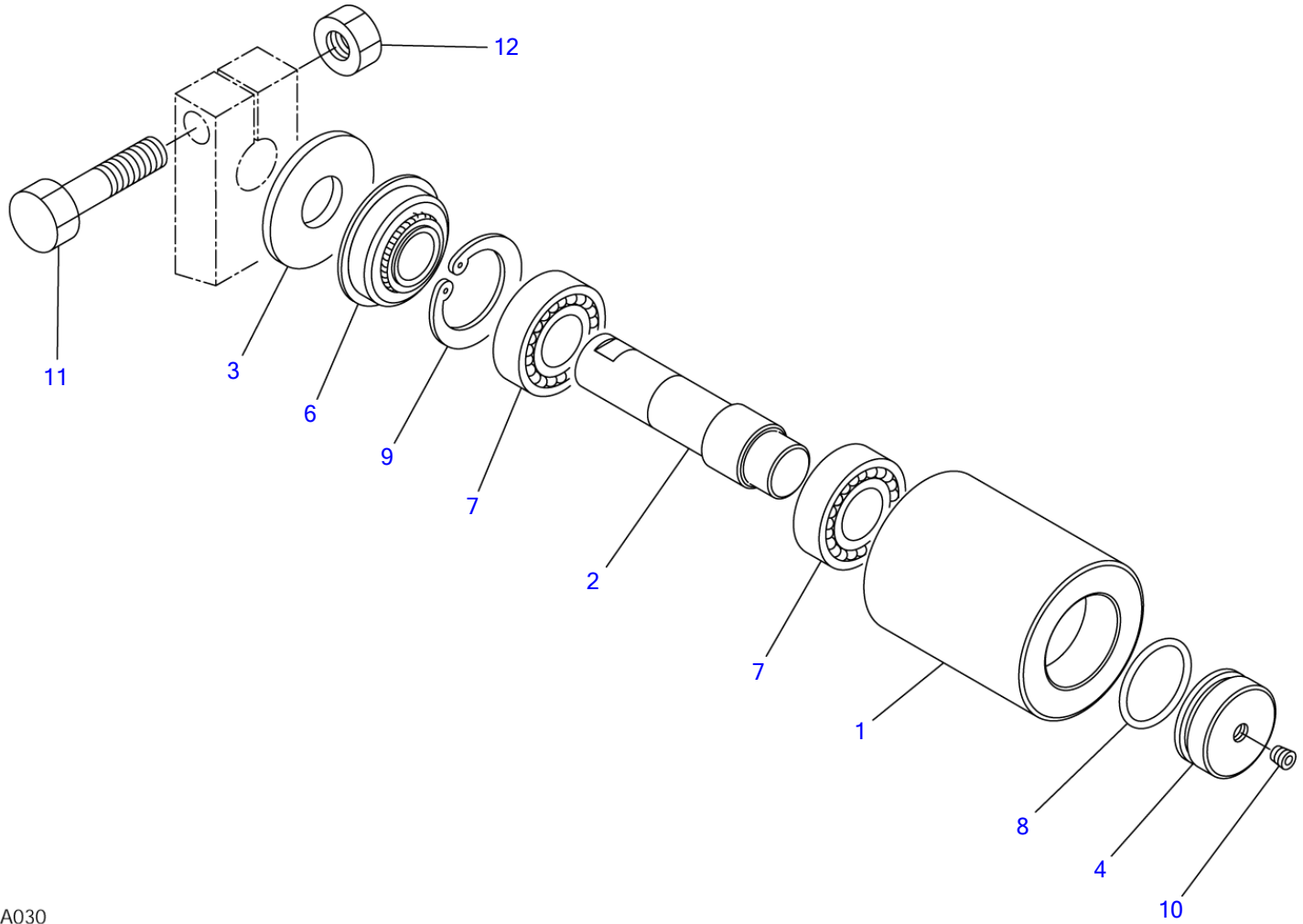
K3A151

S-free

CRAWLER BELT (with rubber pads)

Item	Part number	Description	Q'ty	Chan.	Serial No.	Serv.	Remarks
0	1914051700	BELT ASSY, steel crawler (400wide)	2				X19140-51700-0
1	1914039001	▪ LINK (R.H.)	37				
2	1914039002	▪ LINK (L.H.)	37				
3	1914039003	▪ LINK, master (R.H.)	1				
4	1914039004	▪ LINK, master (L.H.)	1				
5	1914039012	▪ BUSHING	38				
6	1914039006	▪ PIN, track	37				
7	1914039007	▪ PIN, master	1				
8	1914039008	▪ PIN	1				
9	1914039009	▪ BOLT	152				
10	1914033010	▪ NUT	152				
11	1914051611	▪ PLATE, shoe	38				400wide
12	1914400500	▪ PAD, rubber	38				
13	1130020012	▪ ▪ NUT	152				
14	1140020012	▪ ▪ WASHER, spring	152				
	K3a152						

TB53FR Book No. BJ1Z006 S/N 15810005-15811324
CARRIER ROLLER (15810005-15810683)

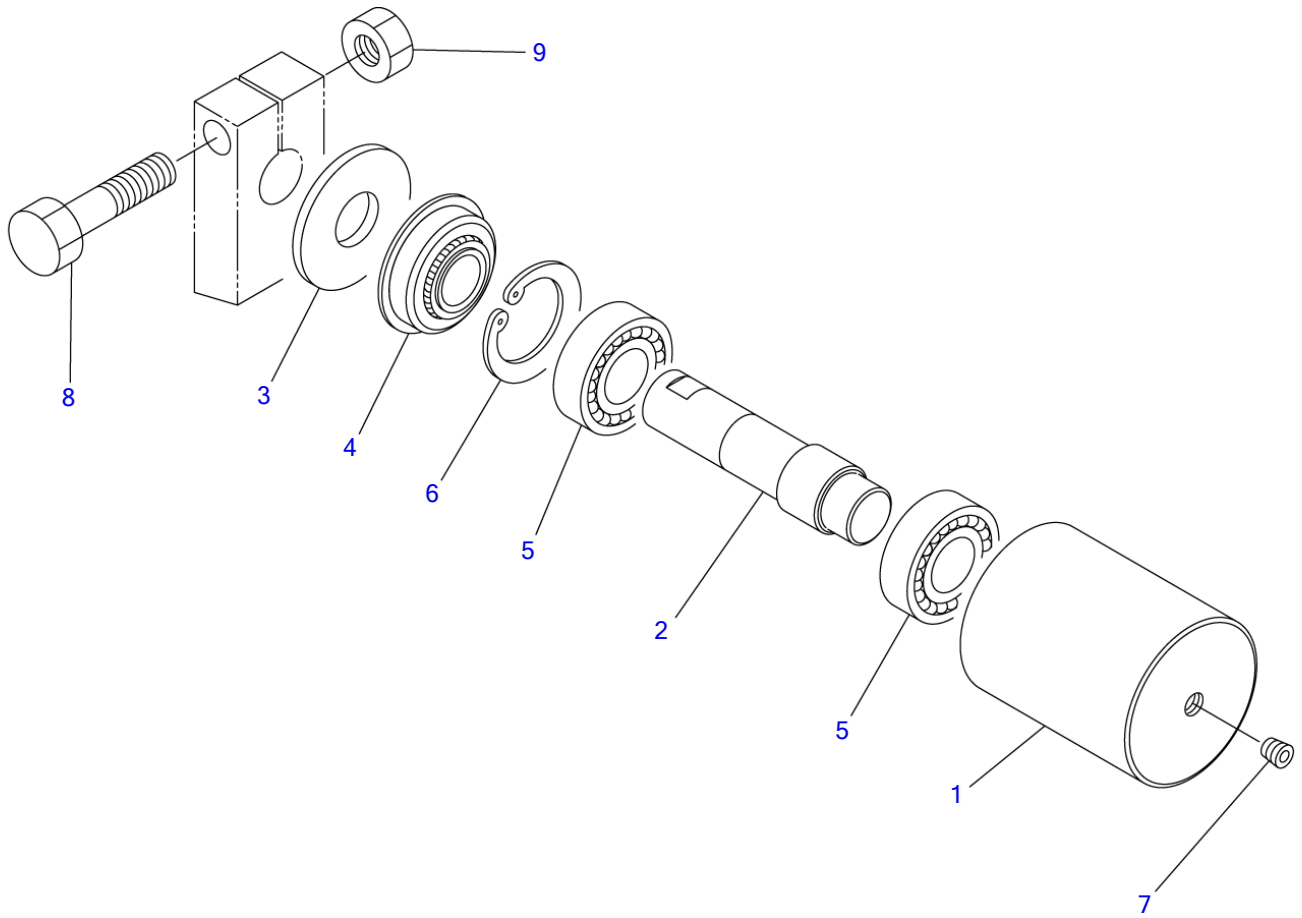


K3A030

S=1/3

CARRIER ROLLER (15810005-15810683)

Item	Part number	Description	Q'ty	Chan.	Serial No.	Serv.	Remarks
		ROLLER ASSY, carrier					X04612-01000-0
0-1	0461201100	ROLLER SUB ASSY	2				
1	0461200200	· ROLLER	1				
2	0461201200	· SHAFT	1				
3	0141201300	· COVER	1				
4	0171200400	· COVER	1				
6	1431203062	· SEAL	1				
7	1300006206	· BEARING	2				
8	1420100500	· O-RING	1				
9	1221000062	· RING, snap	1				
10	1501810001	· PLUG	1				
11	1101051665	BOLT	2				
12	1130550016	NUT	2				
	K3a031						

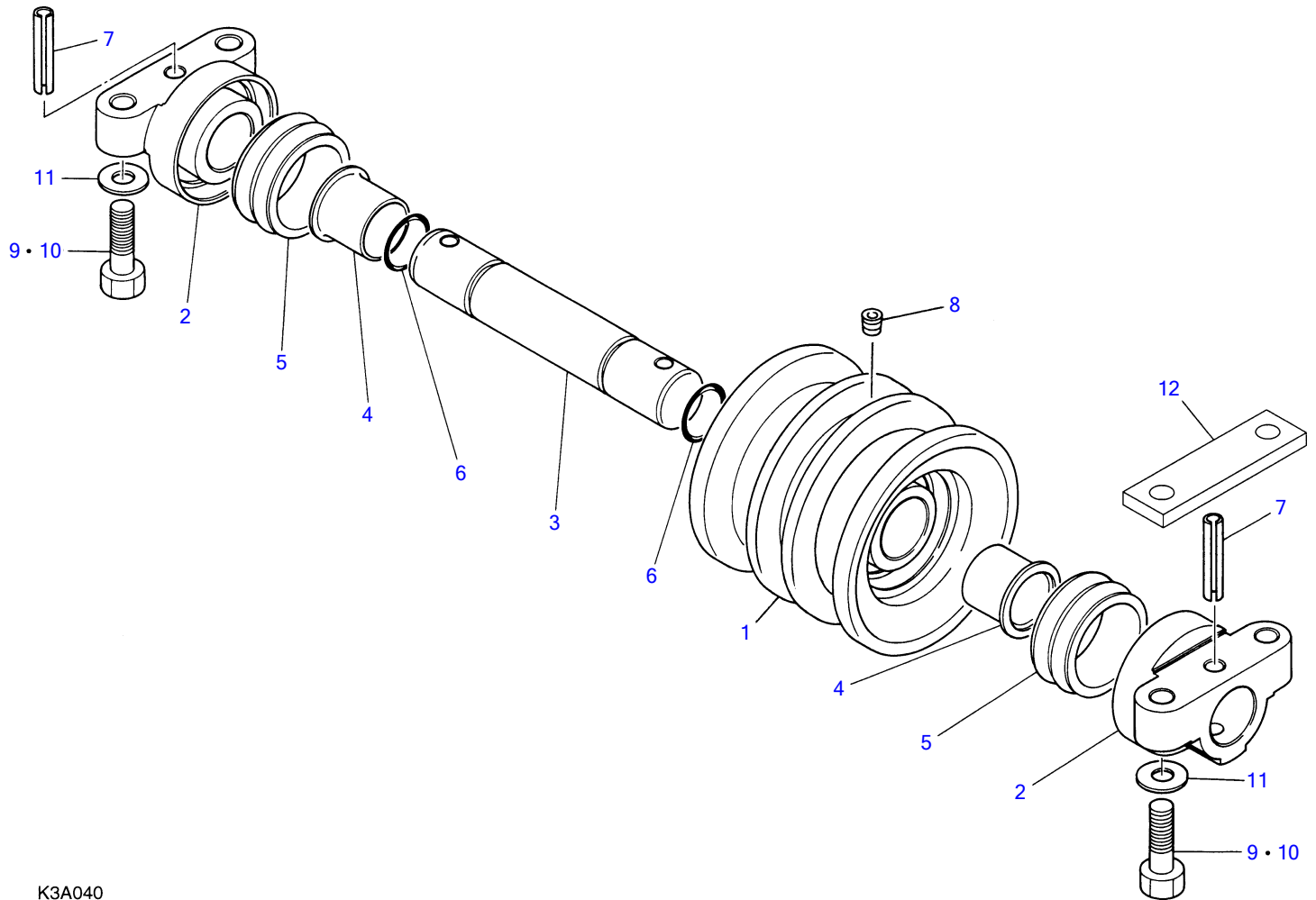


G4A100

S=1/3

CARRIER ROLLER (15810684-)

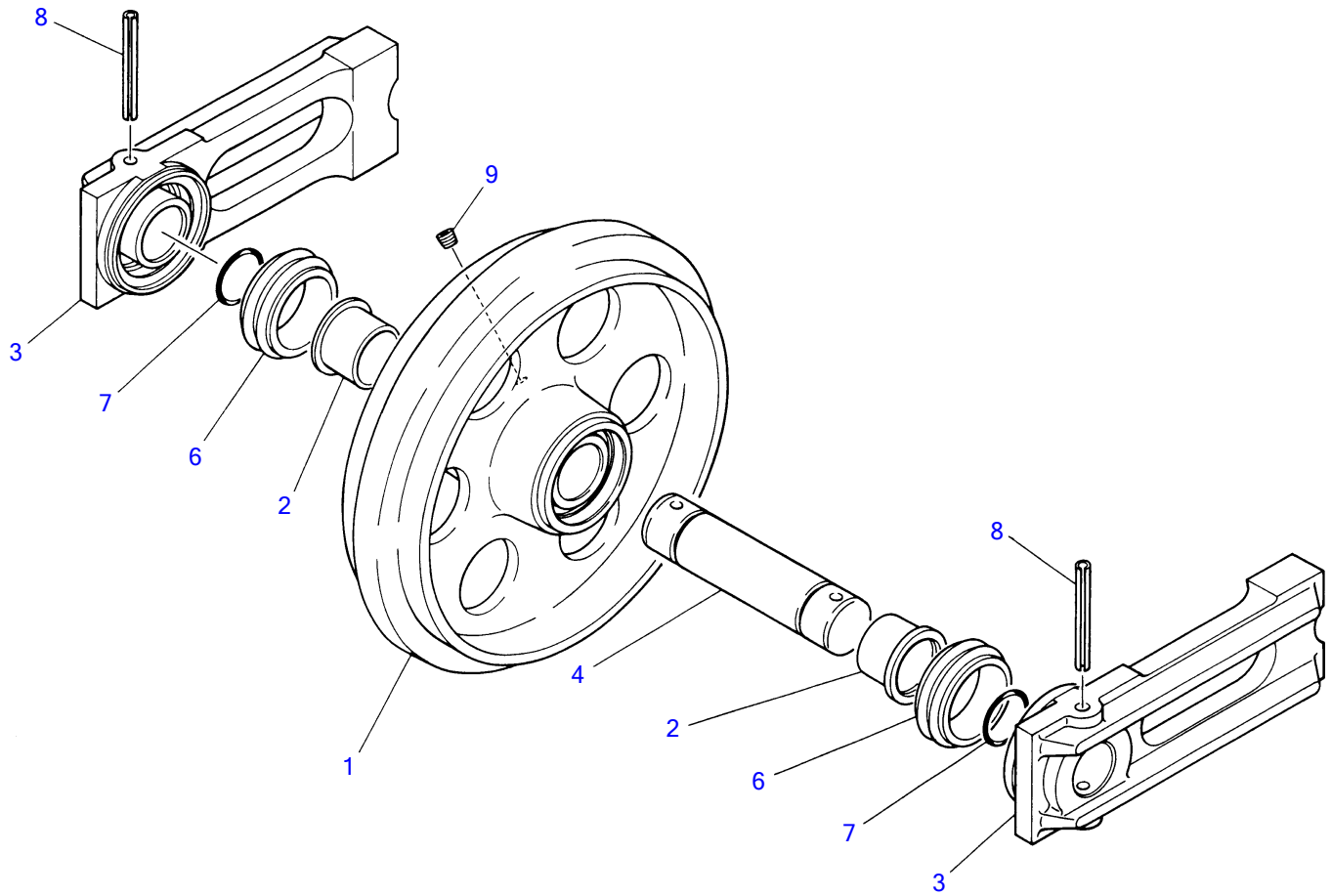
Item	Part number	Description	Q'ty	Chan.	Serial No.	Serv.	Remarks
		ROLLER ASSY, carrier					X03912-00000-2
0-1	0391200100	ROLLER SUB ASSY	2				
1	0391200110	▪ ROLLER	1				
2	0391200120	▪ SHAFT	1				
3	0141201300	▪ COVER	1				
4	1431203062	▪ SEAL	1				
5	1300006206	▪ BEARING	2				
6	1221000062	▪ RING, snap	1				
7	1501820001	▪ PLUG	1				
8	1101041670	BOLT	2				
9	1130540016	NUT	2				
	K3a141						



K3A040

TRACK ROLLER

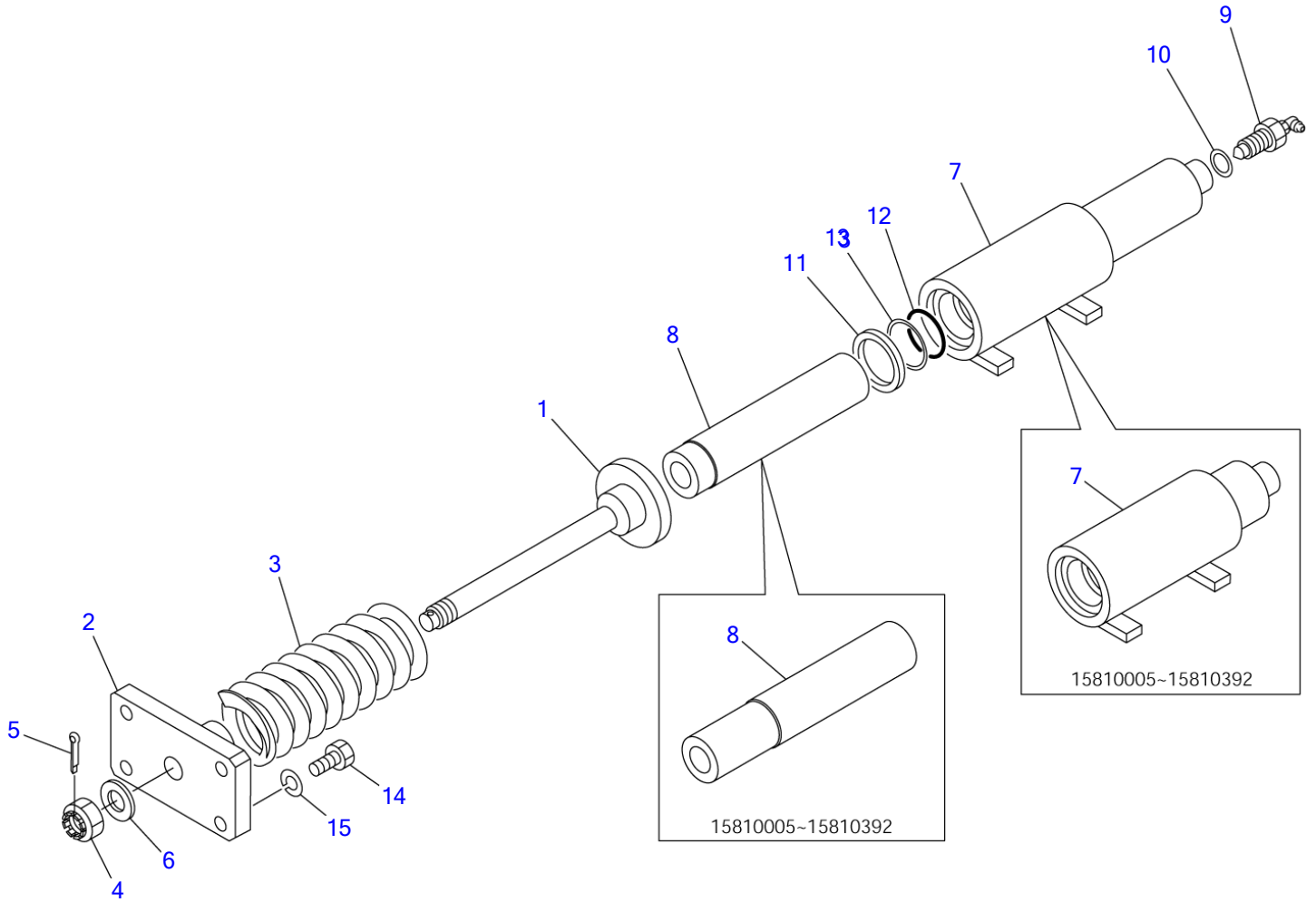
Item	Part number	Description	Q'ty	Chan.	Serial No.	Serv.	Remarks
		ROLLER ASSY, track (rubber)					X03913-02000-5
		ROLLER ASSY, track (steel)					X03913-03000-5
0-1	0391302100	ROLLER SUB ASSY, track	10				
1	0391302300	• ROLLER	1				
2	0461300300	• COVER	2				
3	0461300400	• SHAFT	1				
4	1333073535	• BUSHING	2				
5	1432500560	• SEAL, floating	2				
6	1420100300	• O-RING	2				
7	1213001055	• PIN, spring	2				
8	1501810001	• PLUG	2				
9	1101051245	BOLT	40				
10	1101051255	BOLT	40				steel
11	1141540012	WASHER	40				
12	0391300400	PLATE	20				steel
	K3a042						



K3A050

Item	Part number	Description	FRONT IDLER			Remarks
			Q'ty	Chan.	Serial No.	
		IDLER ASSY, front				
0-1	0461490010	IDLER ASSY, sub	2			X04614-01000-4
1	0461401100	▪ IDLER	1			
2	1333064540	▪ BUSHING	2			
3	0461400300	▪ BLOCK	2			
4	0461400400	▪ SHAFT	1			
6	1432500640	▪ SEAL, floating	2			
7	1420100400	▪ O-RING	2			
8	1213101000	▪ PIN, spring	2			
9	1501810001	▪ PLUG	2			
	K3a053					

TB53FR Book No. BJ1Z006 S/N 15810005-15811324
TRACK ADJUSTER



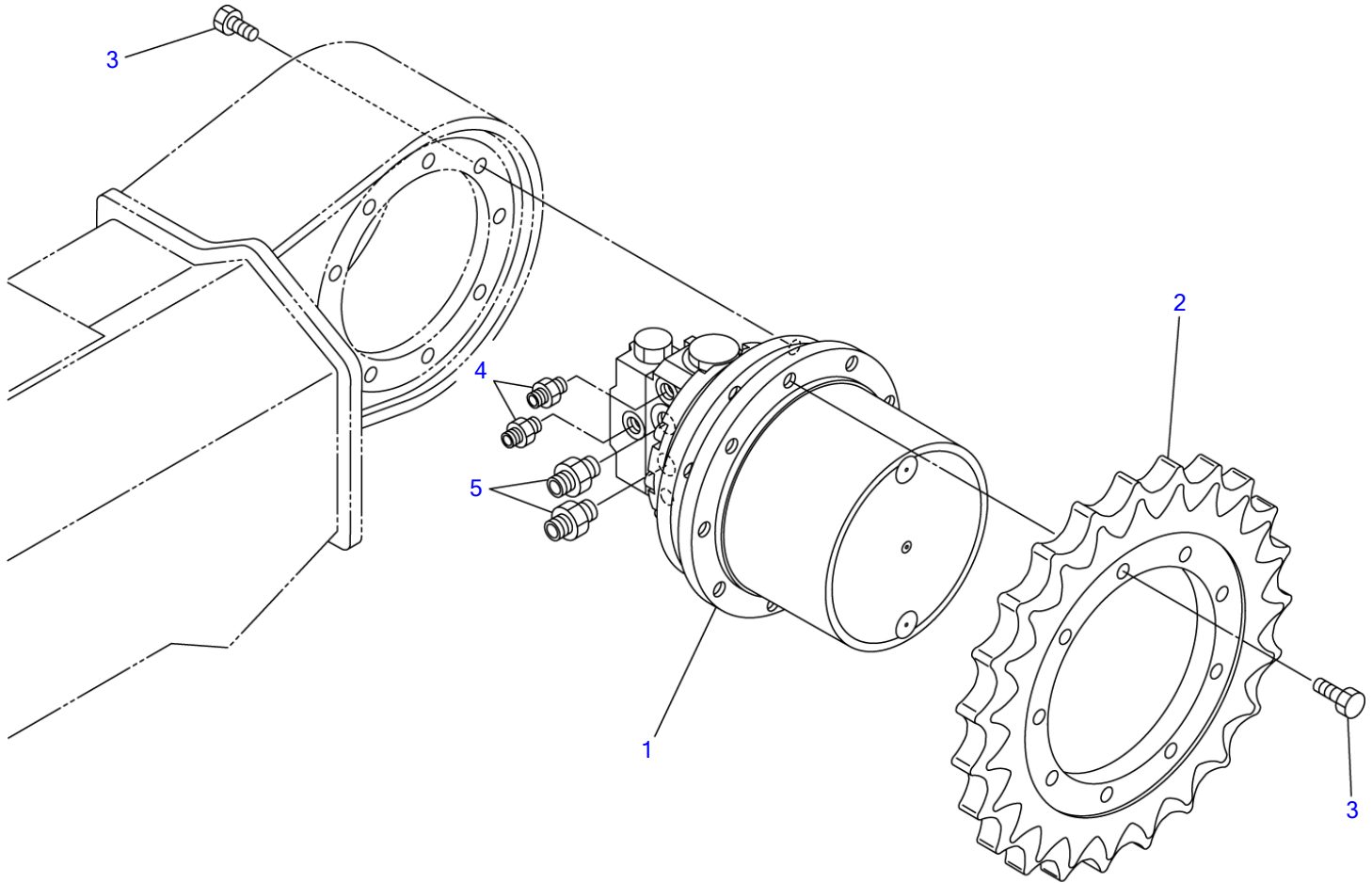
J1A060

S=FREE

TRACK ADJUSTER

Item	Part number	Description	Q'ty	Chan.	Serial No.	Serv.	Remarks
		SPRING ASSY (R.H.)					X03915-07600-0
		SPRING ASSY (L.H.)					X03915-07700-0
0-1	0391502100	SPRING SUB ASSY	2		15810005~15810392		
	0391507300	SPRING SUB ASSY	2		15810393~		
1	0391502200	• ROD	1		15810005~15810392		
	0391507310	• ROD	1		15810393~		
2	0461500400	• PLATE	1		15810005~15810392		
	0391507320	• PLATE	1		15810393~		
3	0007000002	• SPRING	1				
4	1132530020	• NUT	1		15810005~15810392		
	1132030024	• NUT	1		15810393~		
5	1210000440	• PIN, split	1				
6	1141540020	• WASHER	1		15810005~15810392		
	1141540024	• WASHER	1		15810393~		
0-2	0391504100	CYLINDER ASSY, grease	2		15810005~15810392		
	0391507400	CYLINDER ASSY, grease	2		15810393~		
7	0391504200	• CYLINDER, grease	1		15810005~15810392		
	0391507410	• CYLINDER, grease	1		15810393~		
8	0391502700	• PISTON	1		15810005~15810392		
	0391507420	• PISTON	1		15810393~		
9	1541301602	• VALVE ASSY, check	1				
10	1541201616	• WASHER	1				
11	1400402835	• SEAL	1		15810005~15810392		
	1400403038	• SEAL	1		15810393~		
12	1422010500	• O-RING	1		15810005~15810392		
	1422010550	• O-RING	1		15810393~		
13	1421020500	• RING, back-up	1		15810005~15810392		
	1421020550	• RING, back-up	1		15810393~		
14	1101051245	BOLT	8				
15	1140010012	WASHER, spring	8				

J1a060



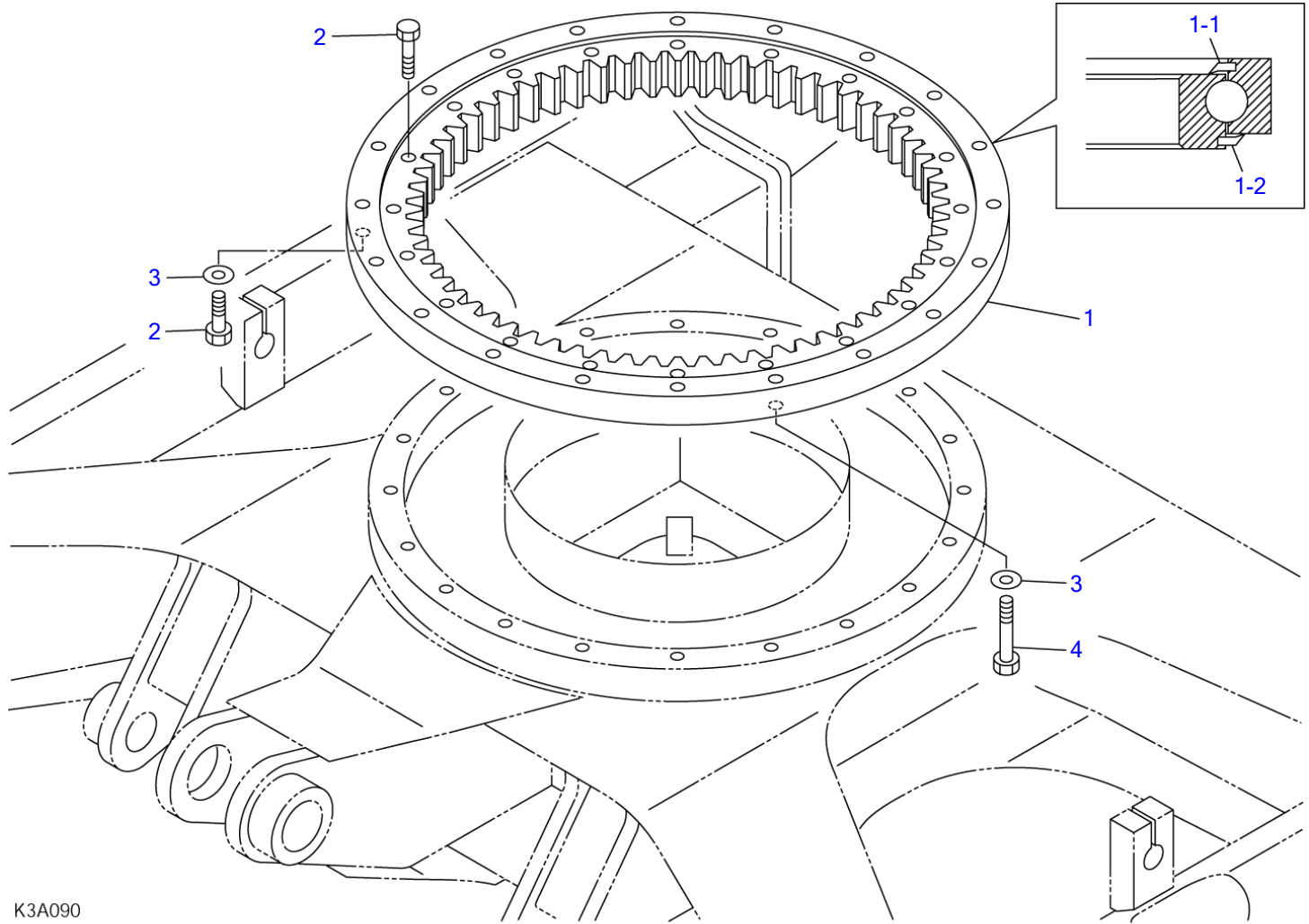
K3A080

S-FREE

TRAVEL DEVICE

Item	Part number	Description	Q'ty	Chan.	Serial No.	Serv.	Remarks
		MOTOR ASSY, travel					X03916-05000-0
1	1903119500	MOTOR, travel	2		15810005~15810392		
	1903123000	MOTOR, travel	2	(H)	15810393~		
2	0261603100	SPROCKET	2				
3	1100051435	BOLT	36				
4	1515600200	ADAPTOR	4				
	1420010110	• O-RING	1				
5	1515600202	ADAPTOR	4				
	1420010180	• O-RING	1				
	J1a070						

TB53FR Book No. BJ1Z006 S/N 15810005-15811324
SLEW BEARING



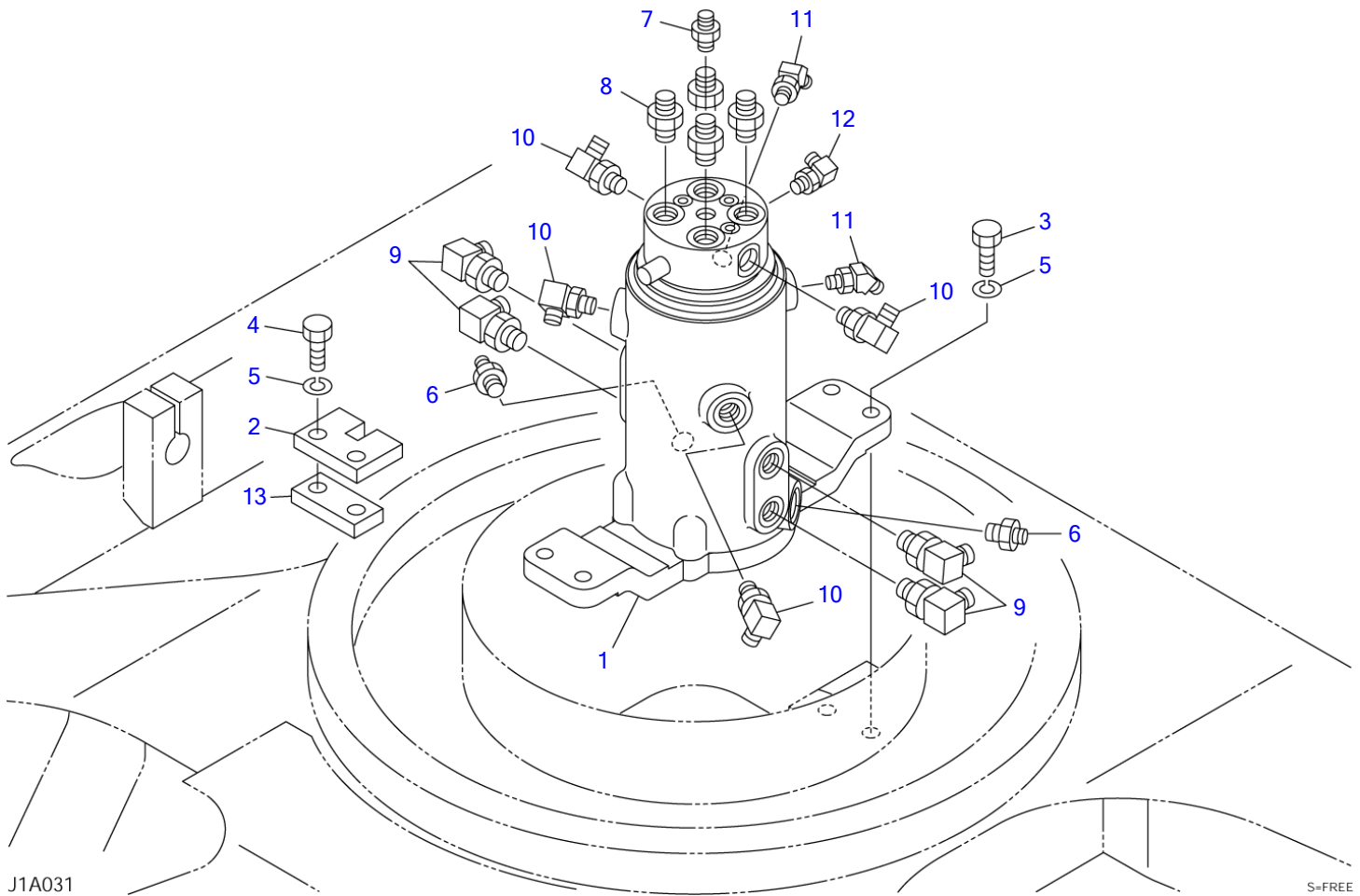
K3A090

S=FREE

SLEW BEARING

Item	Part number	Description	Q'ty	Chan.	Serial No.	Serv.	Remarks
		BEARING ASSY, slew					X03920-00000-1
1	1913003500	BEARING	1				
1-1	1913003508	• SEAL	1				
1-2	1913003509	• SEAL	1				
2	1101051680	BOLT	39				
3	1141540016	WASHER	20				
4	0392000100	BOLT	1				
	K3a090						

TB53FR Book No. BJ1Z006 S/N 15810005-15811324
SWIVEL JOINT & ACCESSORIES



J1A031

S=FREE

BUY NOW

**Then Instant Download
the Complete Manual
Thank you very much!**