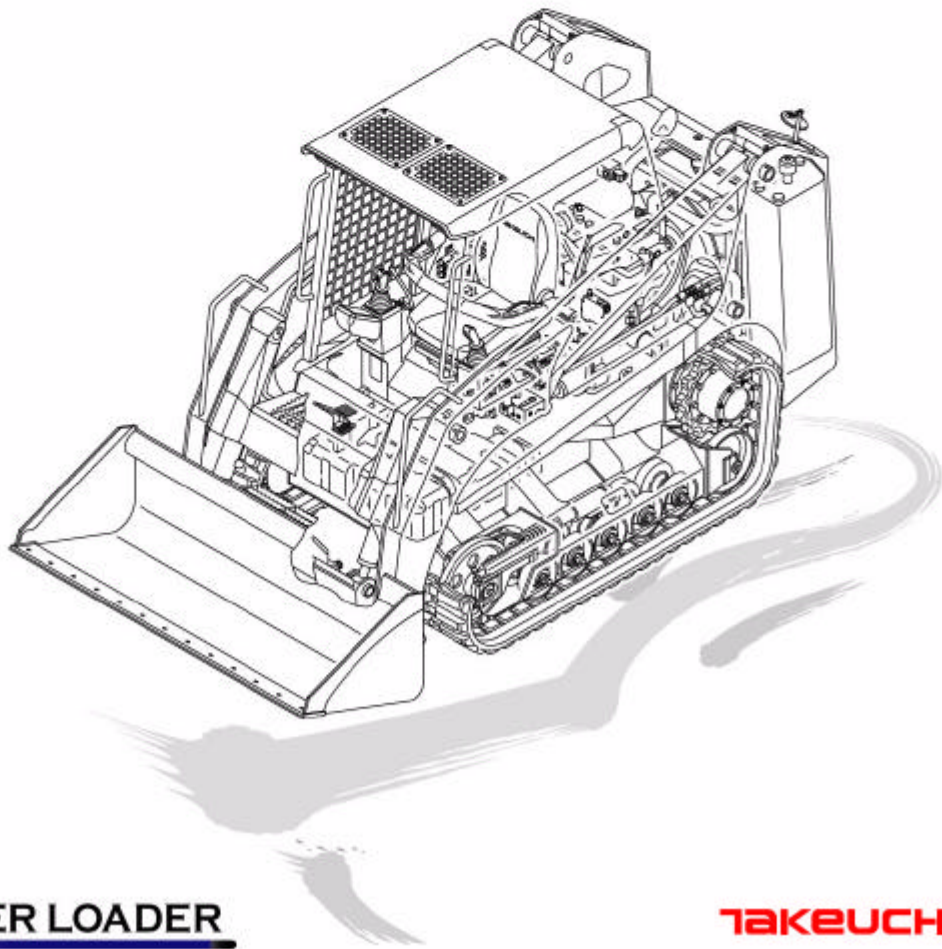


PARTS MANUAL

TL220

Serial No. 222000001~

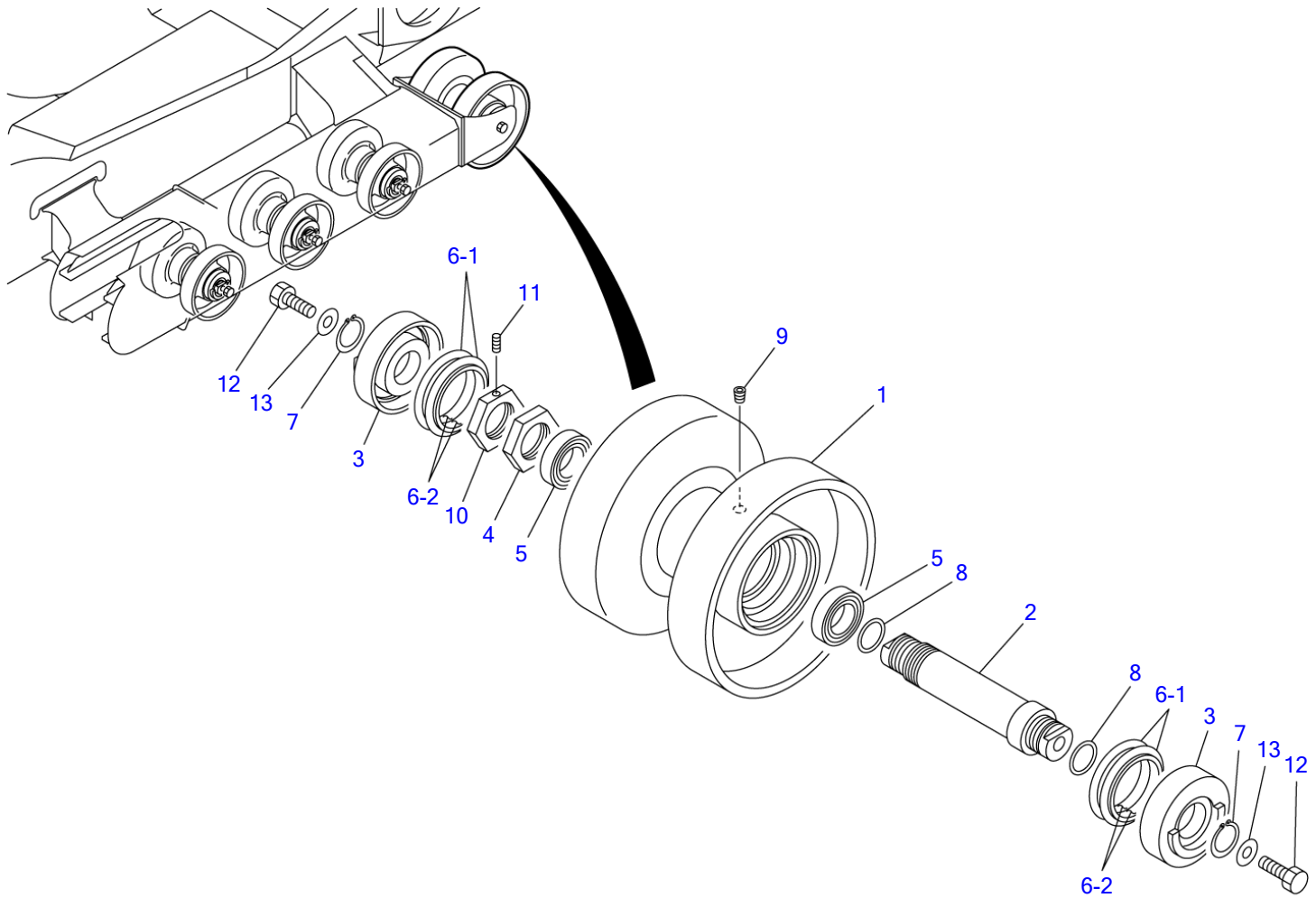
BU0Z001(P-TL220BAB)



CRAWLER LOADER

TAKEUCHI

							INDEX
Item	Part number	Description	Q'ty	Chan.	Serial No.	Serv.	Remarks
1		UNDERCARRIAGE					
2		MAIN FRAME & CONTROL LEVER					
3		ENGINE & ELECTRICAL SYSTEM					
4		HYDRAULIC PIPNG & TANK					
5		COVER & CAB					
6		ATTACHMENT					
7		DECAL & TOOL					
8		HYDRAULIC DEVICE					
10		ENGINE(4TNV84T-ZKTBL)					
		2008.09.12 RV-1					
		CODE 06500-00400					
99		Kits, Attachments and Quick Reference					



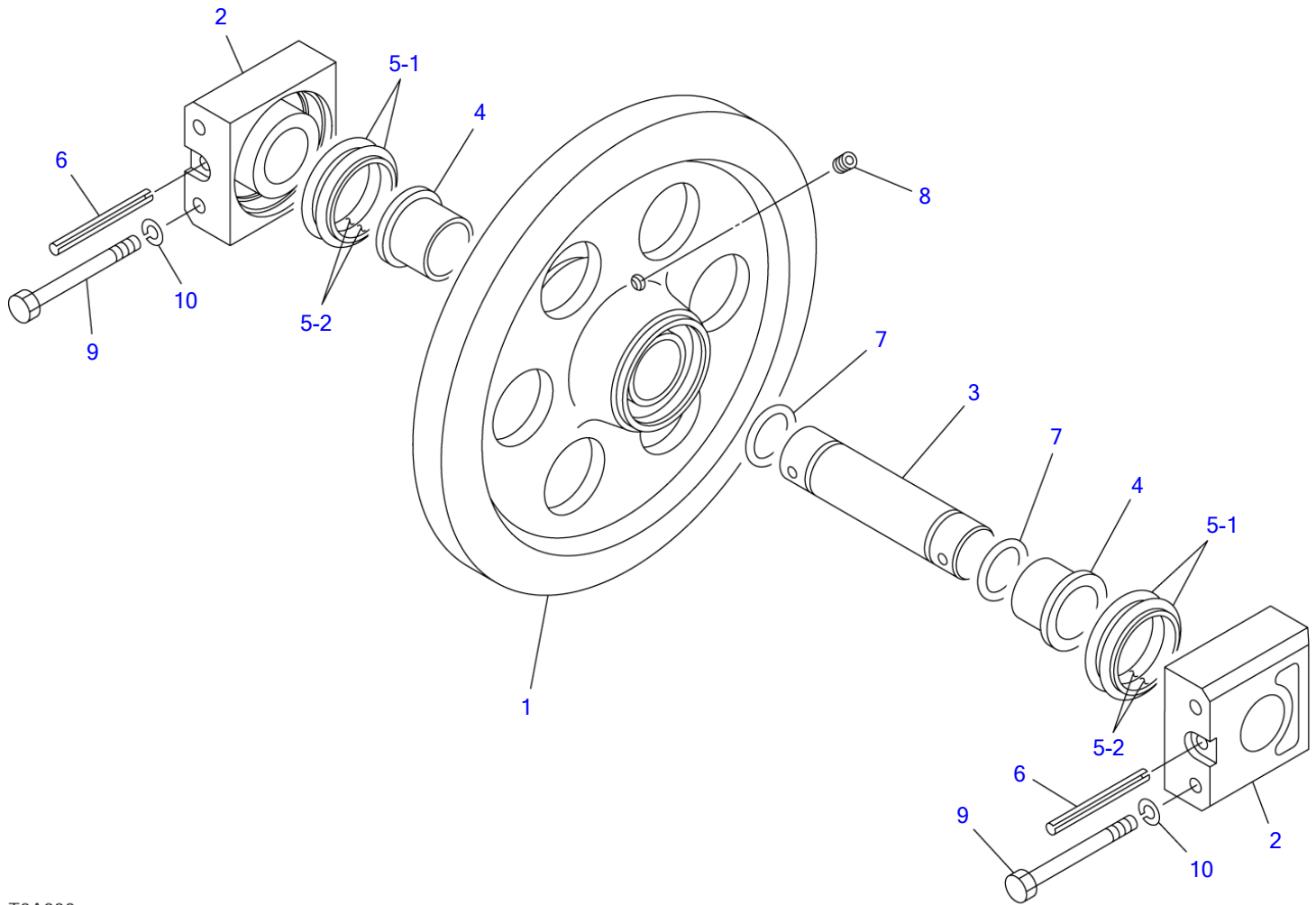
T3A020

S=1/8, 1/20

TRACK ROLLER B

Item	Part number	Description	Q'ty	Chan.	Serial No.	Serv.	Remarks
		ROLLER ASSY, track					
0-1	0880135100	ROLLER SUB ASSY, track	2				
1	0880135200	▪ ROLLER	1				
2	0880133300	▪ SHAFT	1				
3	0880132400	▪ COVER	2				
4	0880133500	▪ NUT	1				
5	1305000004	▪ BEARING	2				
6	1432500660	▪ SEAL, floating	2				
6-1	1432500661	▪ ▪ O-RING	2				
6-2	1432500662	▪ ▪ RING, seal	2				
7	1220000035	▪ RING, retaining	2				
8	1420100300	▪ O-RING	2				
9	1501810001	▪ PLUG	1				
10	0880133600	▪ NUT	1				
11	1121340608	▪ SET-SCREW	1				
12	1100051645	BOLT	4				
13	1141540016	WASHER	4				
	U0a020						

TL220 Book No. BU0Z000 S/N 222000001-
FRONT IDLER



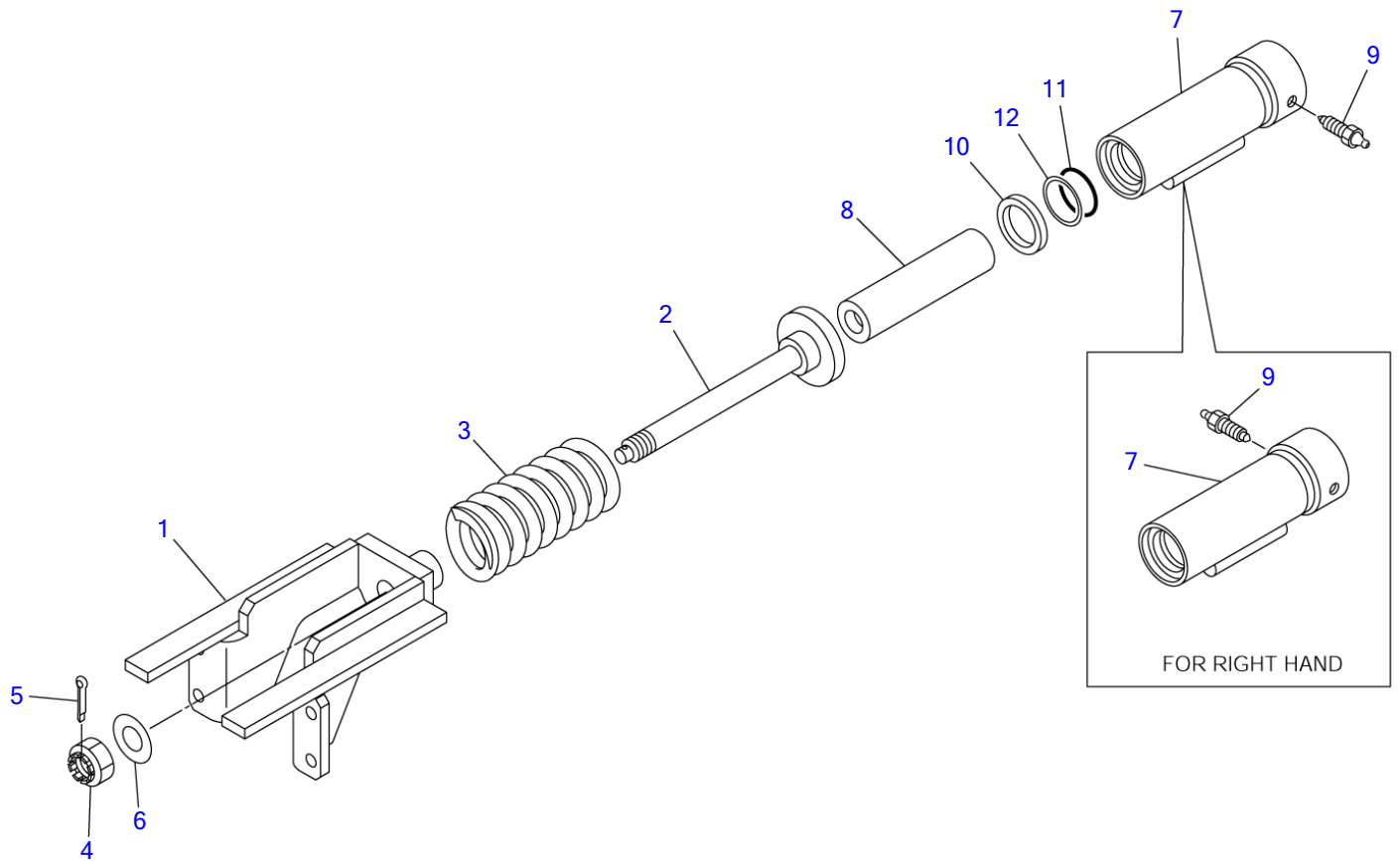
T3A030

S=1/5

FRONT IDLER

Item	Part number	Description	Q'ty	Chan.	Serial No.	Serv.	Remarks
		IDLER ASSY, front					
0-1	0651400100	IDLER SUB ASSY, front	2				
1	0651400110	· IDLER	1				
2	0651400120	· COVER	2				
3	0651400130	· SHAFT	1				
4	1333064039	· BUSHING	2				
5	1432500640	· SEAL, floating	2				
5-1	1432500641	· · O-RING	2				
5-2	1432500642	· · RING, seal	2				
6	1213001085	· PIN, spring	2				M
7	1420100350	· O-RING	2				
8	1501820001	· PLUG	1				
9	1101041235	BOLT	8				M
10	1140020012	WASHER, spring	8				
	U0a030						

TL220 Book No. BU0Z000 S/N 222000001-
TRACK ADJUSTER

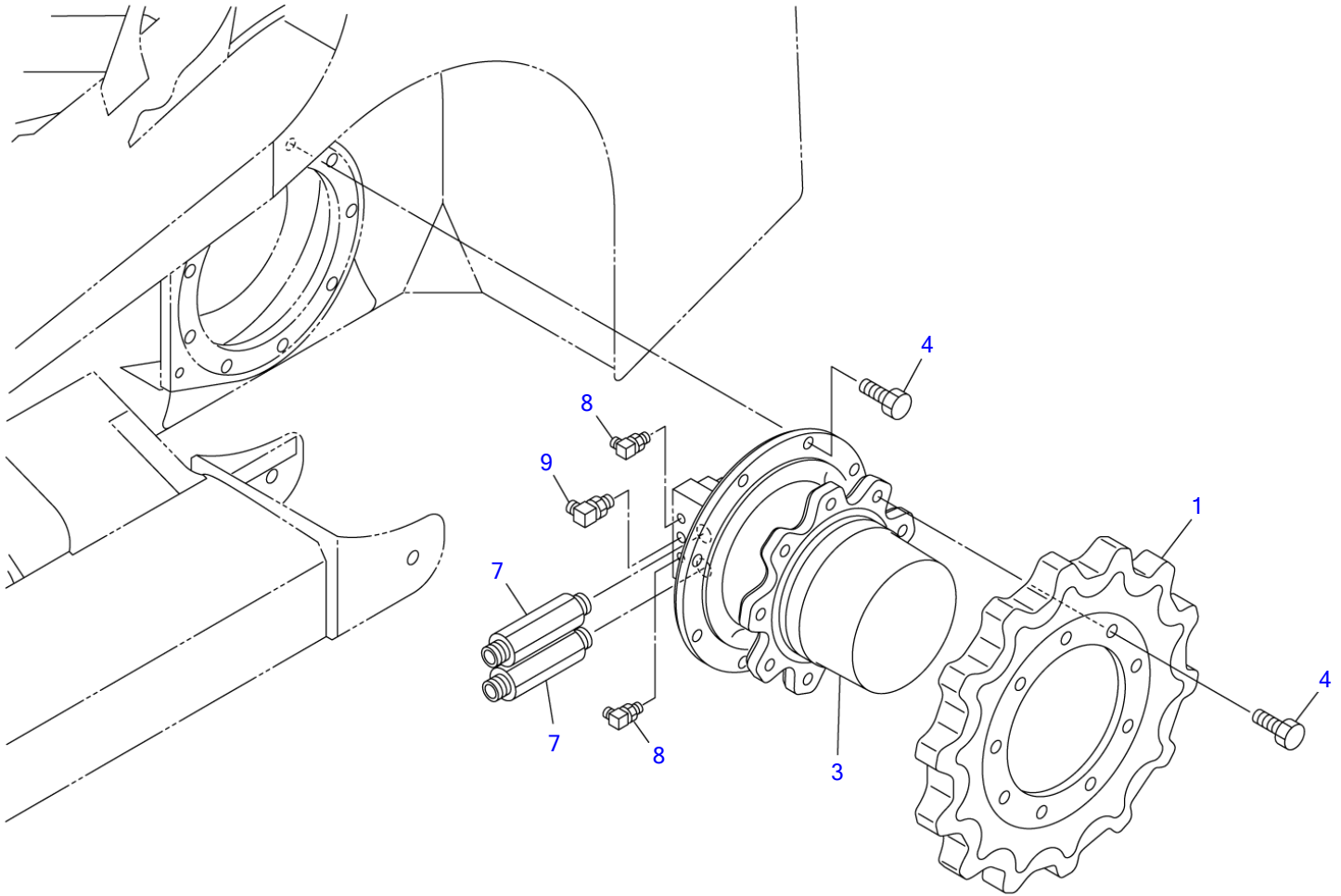


T3A040

S=1/8X110%

TRACK ADJUSTER

Item	Part number	Description	Q'ty	Chan.	Serial No.	Serv.	Remarks
		SPRING ASSY (L.H.)					
		SPRING ASSY (R.H.)					
0-1	0651500100	SPRING SUB ASSY	2				
1	0651500110	• YOKE	1				
2	0880152120	• ROD	1				
3	0007000004	• SPRING	1				
4	1132030024	• NUT	1				
5	1210000545	• PIN, split	1				
6	1141550024	• WASHER	1				
0-2	0651500200	CYLINDER ASSY (L.H.)	1				
	0651500300	CYLINDER ASSY (R.H.)	1				
7	0651500210	• CYLINDER, grease (L.H.)	1				
	0651500310	• CYLINDER, grease (R.H.)	1				
8	0651500220	• PISTON	1				
9	1541300501	• VALVE ASSY, check	1				
10	1400402640	• SEAL, oil	1				
11	1422010450	• O-RING	1				
12	1421020450	• RING, back-up	1				
	U0a041						

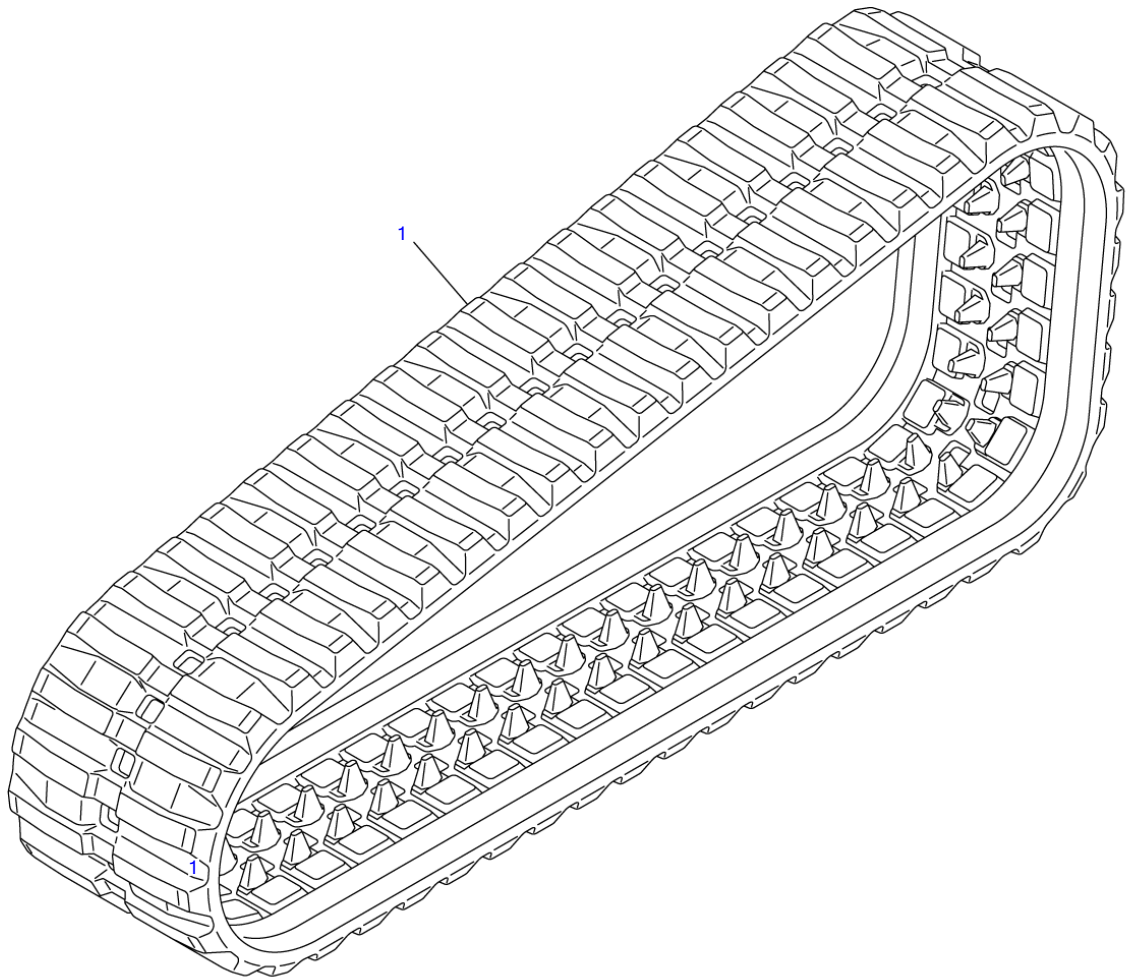


T3A050

S=1/8

TRAVEL DEVICE

Item	Part number	Description	Q'ty	Chan.	Serial No.	Serv.	Remarks
		MOTOR ASSY, travel					
1	0651600010	SPROCKET	2				
3	1903127800	MOTOR, travel	2			M	
4	1100041635	BOLT	36				
7	0882160140	ADAPTOR	4				
	1420010240	• O-RING	1				
8	1515012040	ELBOW	4				
	1420010110	• O-RING	1				
9	1515012041	ELBOW	2				
	1420010140	• O-RING	1				
	U0a050						



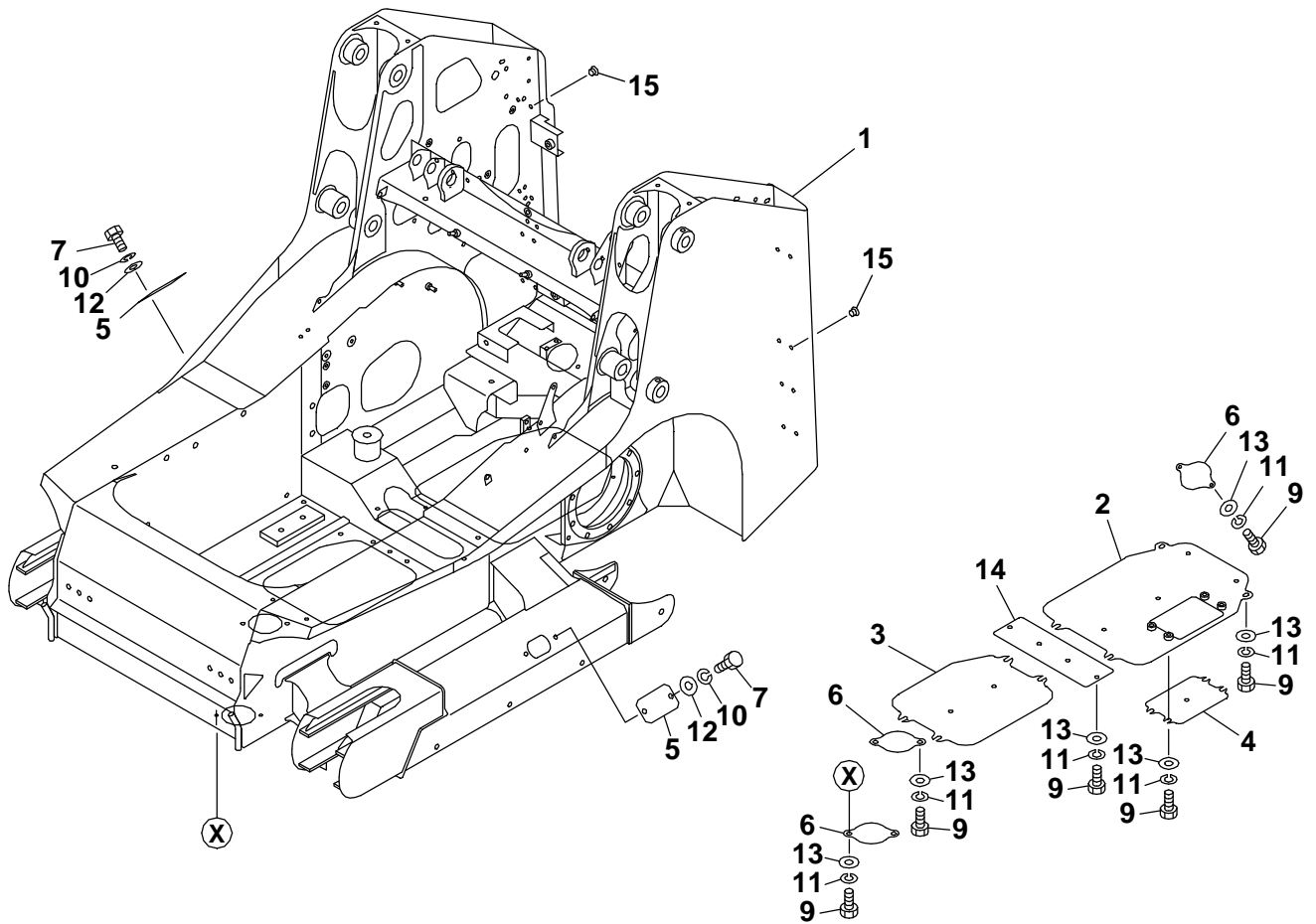
T7A060

S=1/12

CRAWLER BELT

Item	Part number	Description	Q'ty	Chan.	Serial No.	Serv.	Remarks
1	1914301310	BELT, rubber crawler	2				
	1914301320	BELT, RUBBER CRAWLER 9FLAT TREAD PATTERN)	2				
	U0A060						

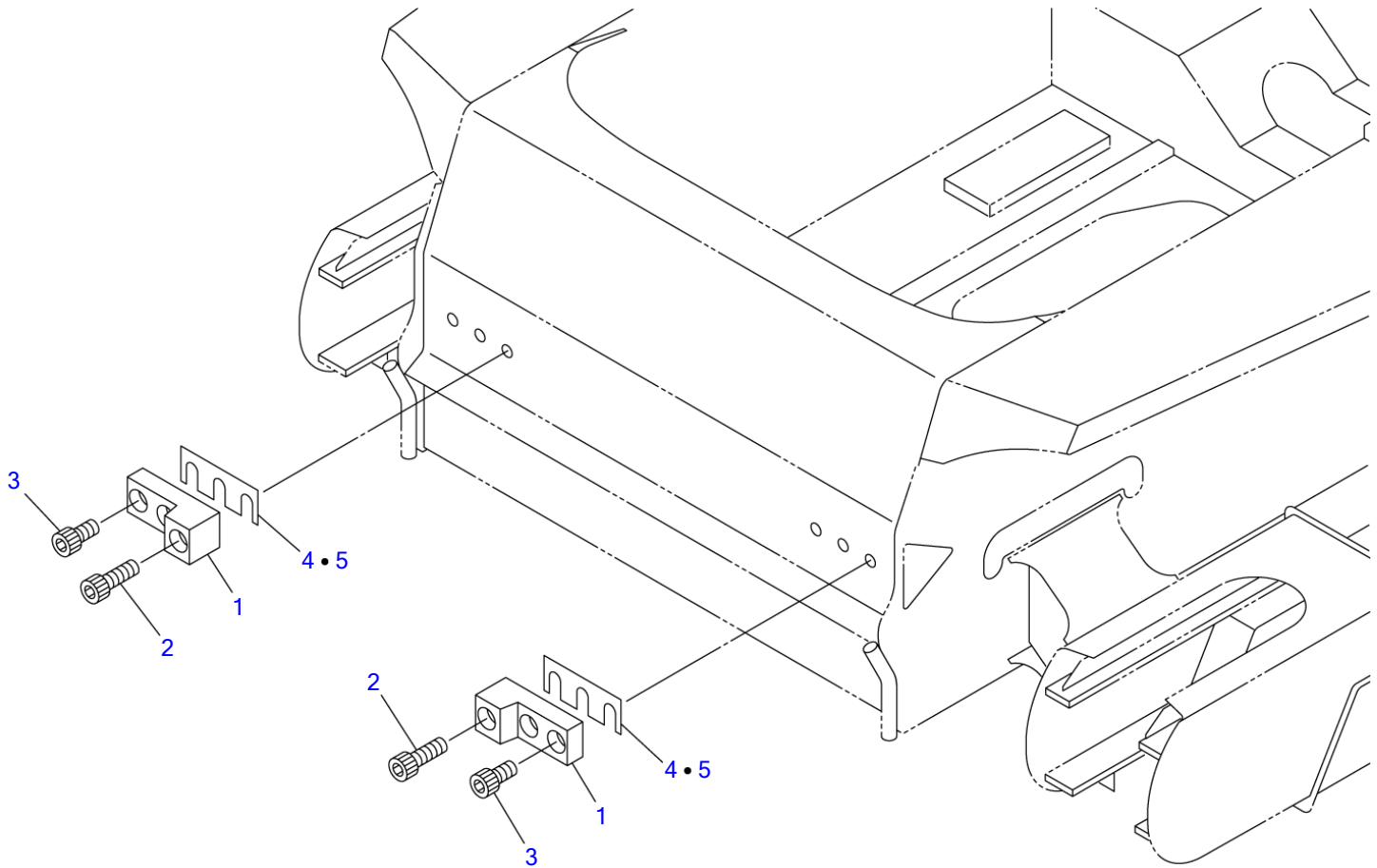
TL220 (P-TL220BAB) BU0Z001 S/N 22200001-
FRAME



U0B011

S=1/20

Item	Part number	Description	FRAME			Remarks
			Q'ty	Chan.	Serial No.	
		TURNTABLE ASSY				
1	X 0653003100	FRAME	1			M
2	0653001010	COVER	1			
3	0653000020	COVER	1			
4	0653001030	COVER	1			
5	0331018600	COVER	2			
6	0881302095	COVER	3			
7	1100040816	BOLT	4			
9	1100041020	BOLT	20			
10	1140020008	WASHER, spring	4			
11	1140020010	WASHER, spring	20			
12	1141110008	WASHER	4			
13	1141110010	WASHER	20			
14	0653000040	COVER	1			
15	1652533021	CAP	16			
	U0b011					

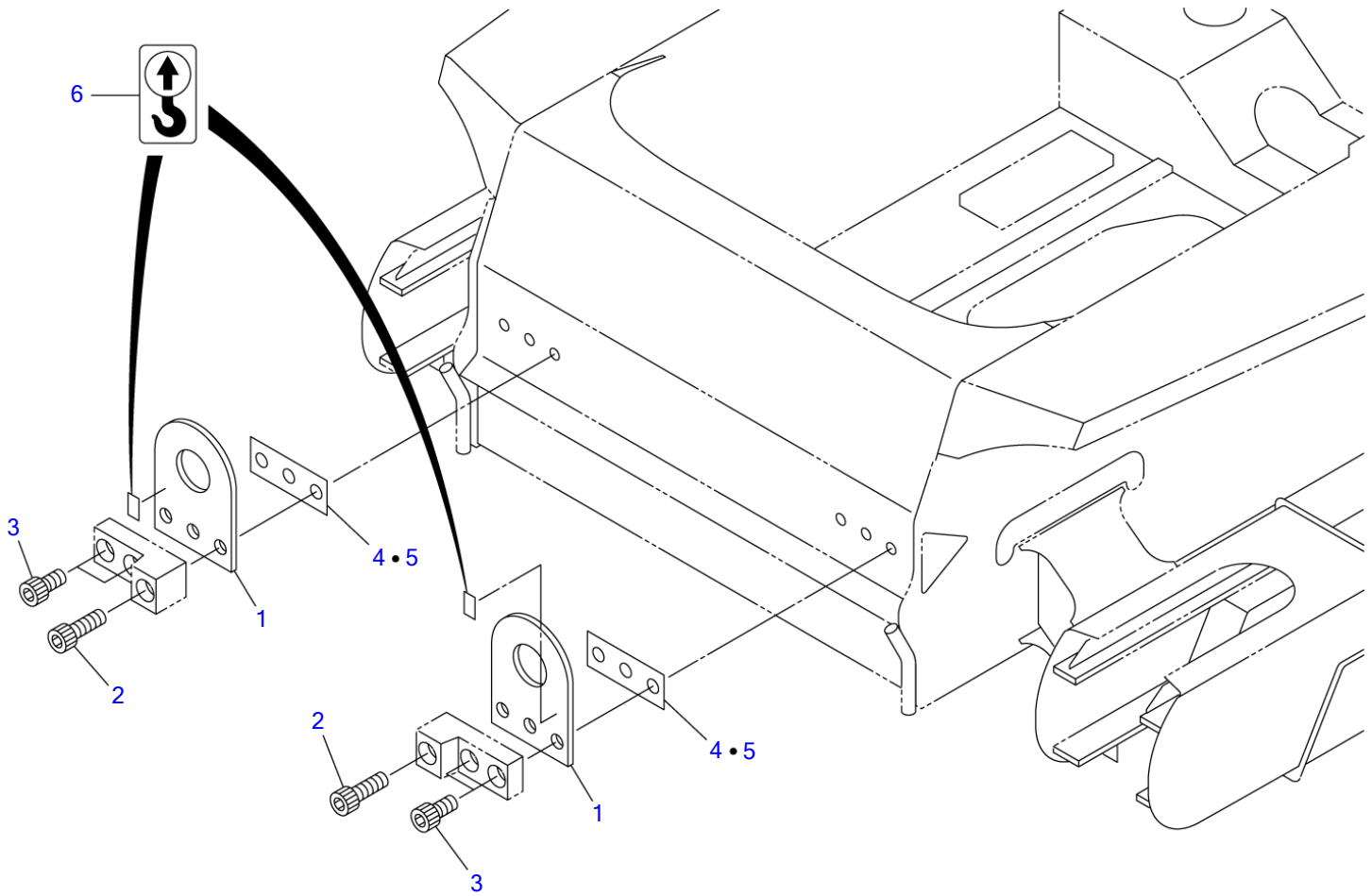


T3B020

S=1/8

ARM STOPPER

Item	Part number	Description	Q'ty	Chan.	Serial No.	Serv.	Remarks
		STOPPER ASSY					
1	0880604910	STOPPER	2				
2	1110041660	SCREW, cap	2				
3	1110041645	SCREW, cap	4				
4	0880606950	SHIM	AR				t=0.5mm
5	0880604950	SHIM	AR				t=1.0mm
	T3b020						



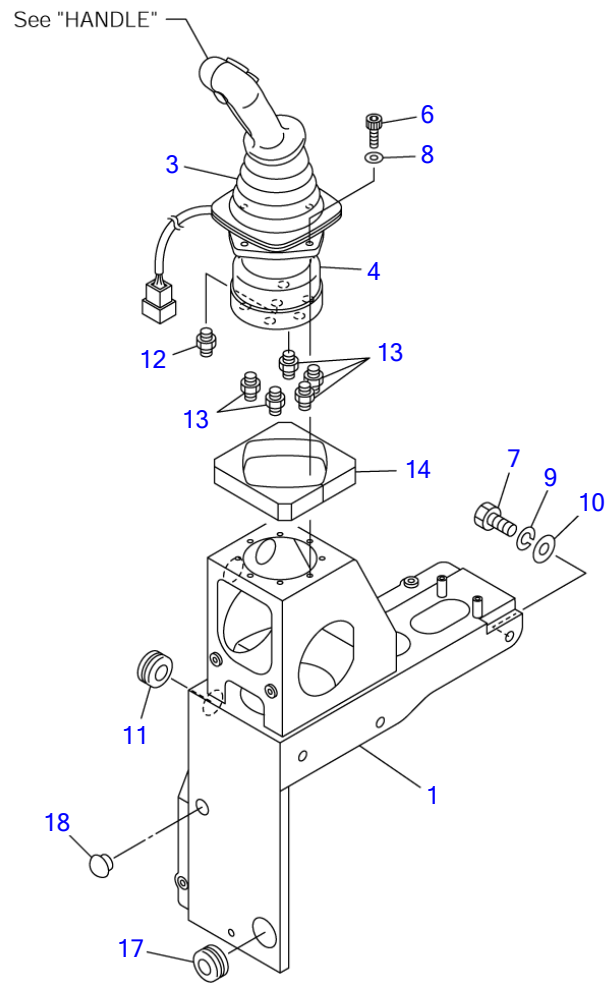
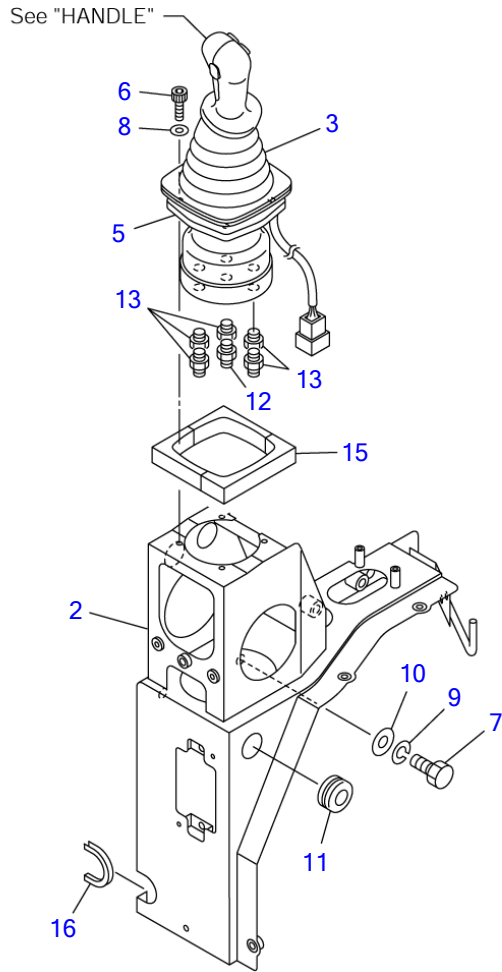
T3B050

S=1/9

HOOK

Item	Part number	Description	Q'ty	Chan.	Serial No.	Serv.	Remarks
		HOOK ASSY					
1	0653002010	HOOK	2				
2	1110041670	SCREW, cap	2				
3	1110041645	SCREW, cap	4				
4	0880606950	SHIM	AR				t=0.5mm
5	0880604950	SHIM	AR				t=1.0mm
6	0399300500	DECAL	2				
	U0b020						

TL220 Book No. BU0Z000 S/N 222000001-
OPERATION LEVER & STAND



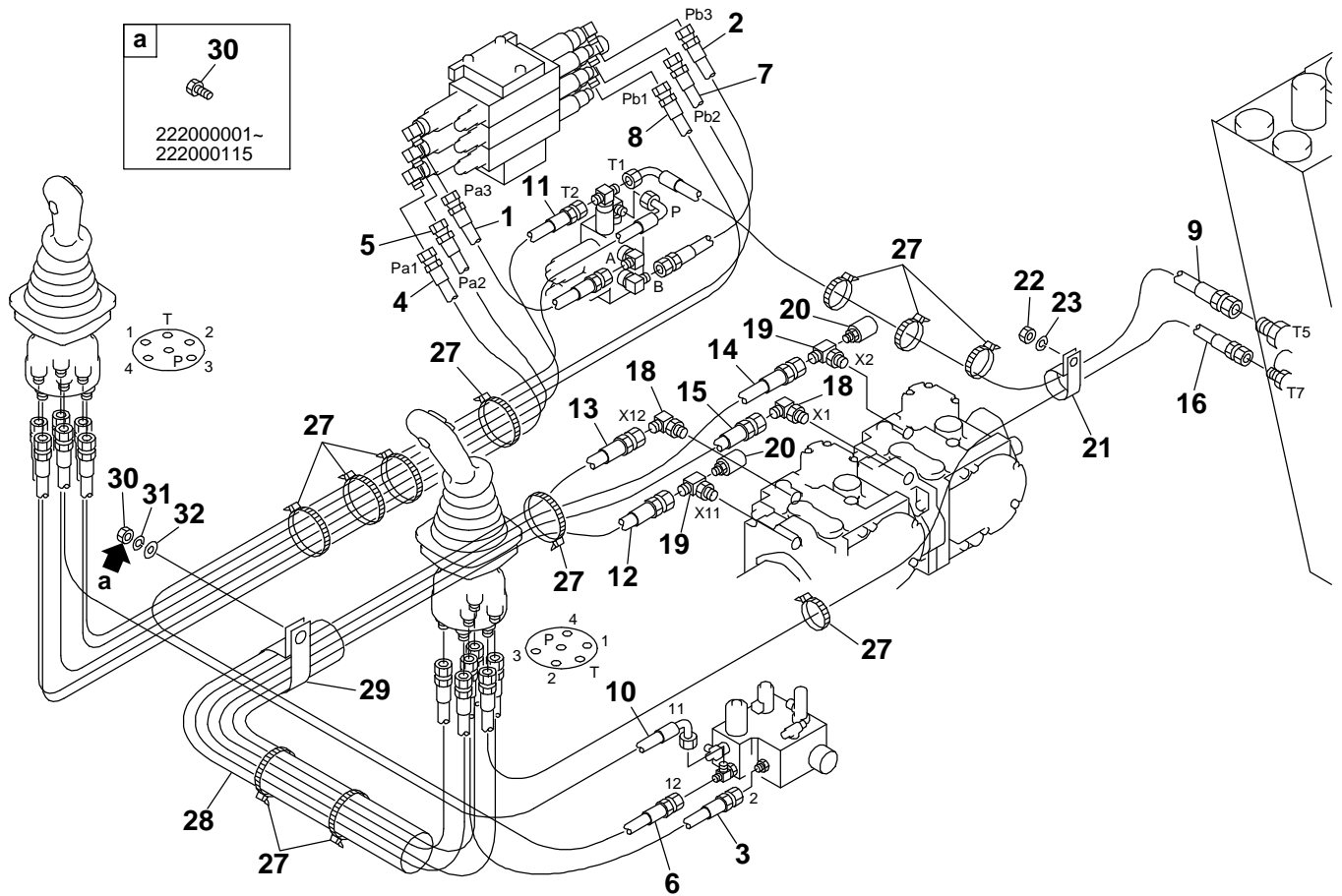
U0B030

S=1/8

OPERATION LEVER & STAND

Item	Part number	Description	Q'ty	Chan.	Serial No.	Serv.	Remarks
		VALVE ASSY					
1	0655100600	BRACKET (L.H.)	1			M	
2	0655100750	BRACKET (R.H.)	1			M	
3	0881510020	BOOT	2				
4	1901747900	VALVE ASSY (L.H.)	1				
5	1901747800	VALVE ASSY (R.H.)	1				
6	1110040625	SCREW, cap	8				
7	1100041020	BOLT	6				
8	1141110006	WASHER	8				
9	1140020010	WASHER, spring	6				
10	0003600020	WASHER	6				
11	1652053001	GROMMET	2				
12	1512370008	ADAPTOR (with filter)	2				
	1420010110	• O-RING	1				
13	1515600200	ADAPTOR	10				
	1420010110	• O-RING	1				
14	0655100014	SPONGE	1				
15	0655100015	SPONGE	1				
16	1653916011	TRIM	1				sold by the meter
17	1652053600	GROMMET	1				
18	1652533023	CAP	1				
	U0b030						

**TL220 (P-TL220BAB) BU0Z001 S/N 222000001-
PIPING; OPERATION LEVER**



U0B041

S=1/9

OPERATION LEVER & STAND (multi-functional grip type)

Item	Part number	Description	Q'ty	Chan.	Serial No.	Serv.	Remarks
		PIPING ASSY					
1	0657100010	HOSE ASSY	1				18010-22032
2	0657100020	HOSE ASSY	1				18010-22048
3	0657100030	HOSE ASSY	1				18010-22044
4	0657101040	HOSE ASSY	1			M	18010-22080
5	0657100050	HOSE ASSY	1				18010-22084
6	0657100060	HOSE ASSY	1				18010-52122
7	0657100070	HOSE ASSY	1				18010-22114
8	0657100080	HOSE ASSY	1				18010-22114
9	0657100090	HOSE ASSY	1				18010-52144
10	0657100100	HOSE ASSY	1				18010-52098
11	0657100110	HOSE ASSY	1				18010-22080
12	0657100120	HOSE ASSY	1				
13	0657100130	HOSE ASSY	1				
14	0657100140	HOSE ASSY	1				
15	0657100150	HOSE ASSY	1				
16	0657100160	HOSE ASSY	1				
18	1512375006	ELBOW	2				
	1420310906	• O-RING	1				
19	1512330005	ELBOW	2				
	1420310906	• O-RING	1				
20	1700100015	SWITCH, pressure	2				
21	0007300030	CLAMP	1			M	
22	1130040010	NUT	1				
23	1140020010	WASHER, spring	1				
27	1652241300	BAND	11				
28	1531645063	PROTECTOR	1				sold by the meter
29	0007300044	CLAMP	1				
30	1100040820	BOLT	1				
	1130040008	NUT	1				
31	1140020008	WASHER, spring	1				
32	1141110008	WASHER	1				
	U0b041						

BUY NOW

**Then Instant Download
the Complete Manual
Thank you very much!**