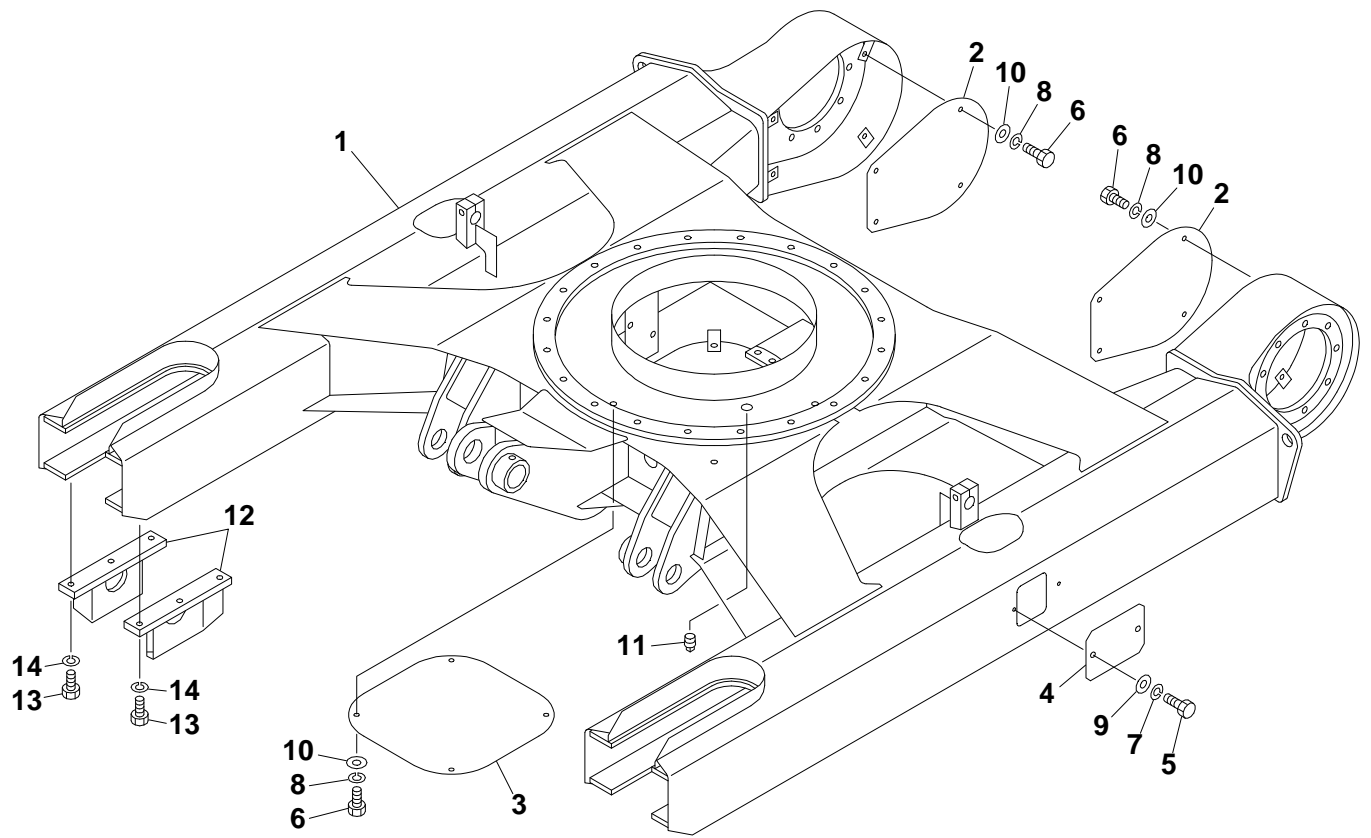


TB153FR (P-T153FBBB) Book No. BJ3Z003 S/N 15830001-
LOWER FRAME



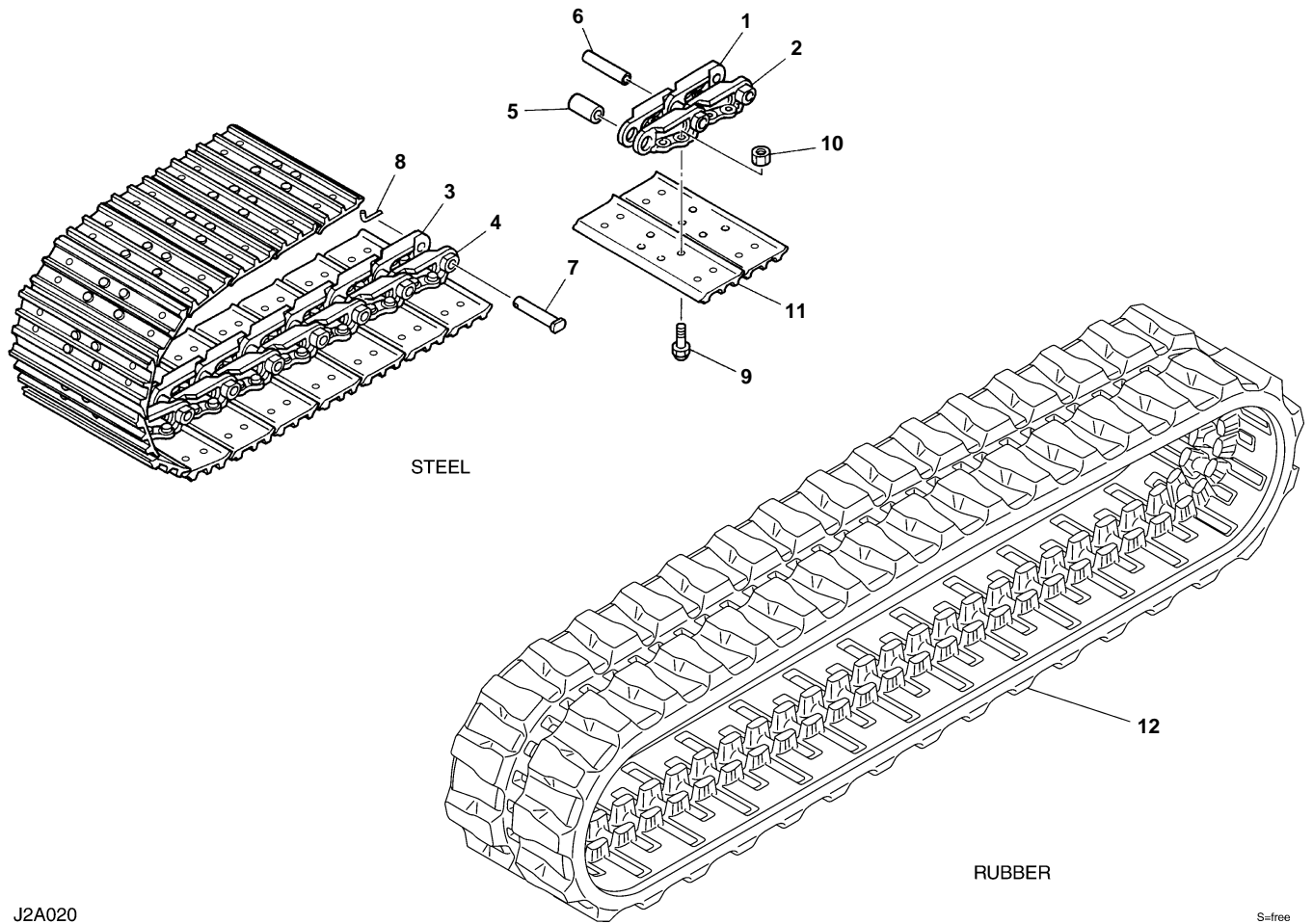
J2A010

S=1/14

LOWER FRAME

Item	Part number	Description	Q'ty	Chan.	Serial No.	Serv.	Remarks
		FRAME ASSY, lower (rubber)					
		FRAME ASSY, lower (steel)					
1	X *****	FRAME	1				
2	0391004002	COVER	2				
3	0391004003	COVER	1				
4	0561017400	COVER	2				
5	1100040816	BOLT	4				
6	1100041020	BOLT	12				
7	1140020008	WASHER, spring	4				
8	1140020010	WASHER, spring	12				
9	1141110008	WASHER	4				
10	1141110010	WASHER	12				
11	1508710010	PLUG	1				
12	0461000700	GUIDE, shoe	4				steel
13	1101041230	BOLT	12				steel
14	1140020012	WASHER, spring	12				steel
	J2a010						

TB153FR (P-T153FBBB) Book No. BJ3Z003 S/N 15830001-
CRAWLER BELT



J2A020

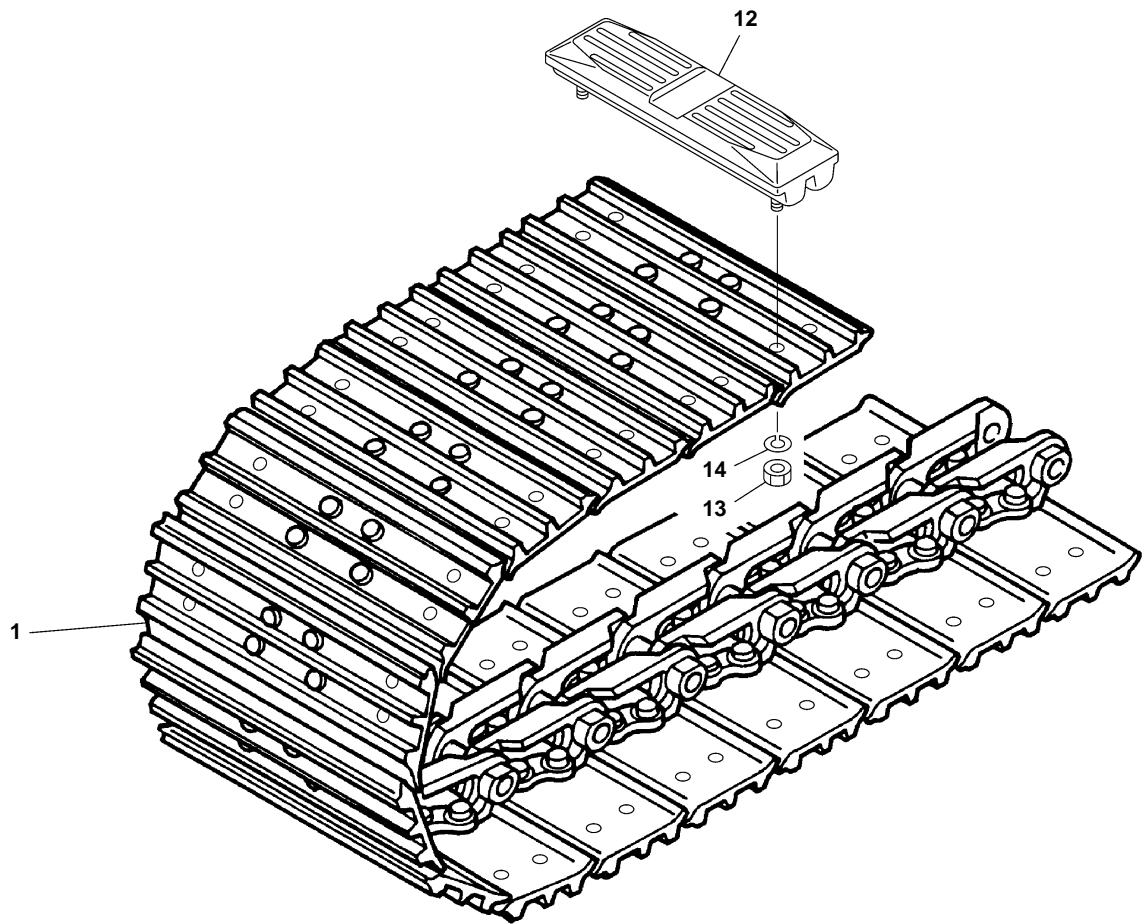
S=free

CRAWLER BELT

Item	Part number	Description	Q'ty	Chan.	Serial No.	Serv.	Remarks
0	1914051600	BELT ASSY, steel crawler	2				
1	1914039001	· LINK (R.H.)	37				
2	1914039002	· LINK (L.H.)	37				
3	1914039003	· LINK, master (R.H.)	1				
4	1914039004	· LINK, master (L.H.)	1				
5	1914039012	· BUSHING	38				
6	1914039006	· PIN, track	37				
7	1914039007	· PIN, master	1				
8	1914039008	· PIN	1				
9	1914039009	· BOLT	152				
10	1914033010	· NUT	152				
11	1914051611	· PLATE, shoe	38				
12	1914065610	BELT, rubber crawler	2				

J2a020

TB153FR (P-T153FBBB) Book No. BJ3Z003 S/N 15830001-
CRAWLER BELT (with rubber pads)



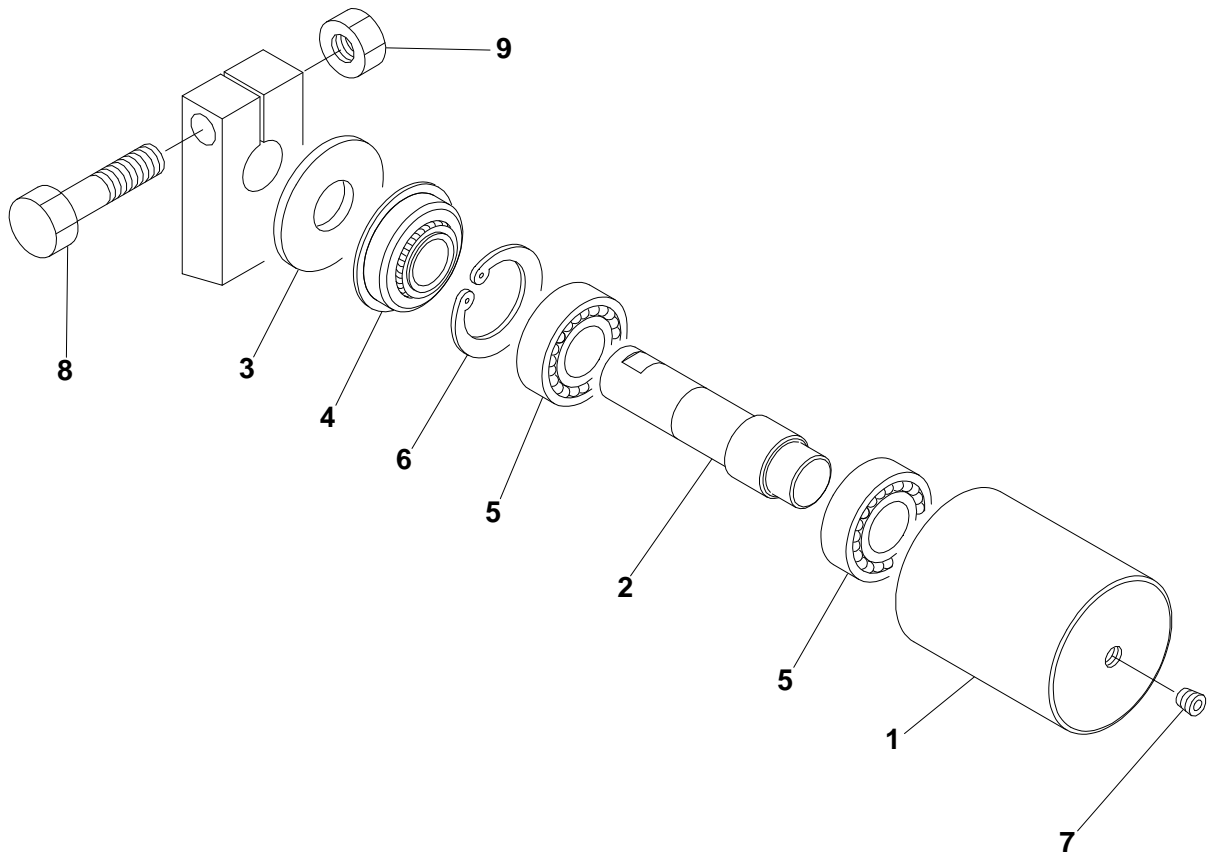
K3A152

S-free

CRAWLER BELT (with rubber pads)

Item	Part number	Description	Q'ty	Chan.	Serial No.	Serv.	Remarks
0	1914051700	BELT ASSY, steel crawler (with rubber pads)	2				
1	1914051600	· BELT, steel crawler	1				
12	1914400500	· PAD, rubber	38				
13	1130020012	· · NUT	4				
14	1140020012	· · WASHER, spring	4				
	K3a153						

TB153FR (P-T153FBBB) Book No. BJ3Z003 S/N 15830001-
CARRIER ROLLER



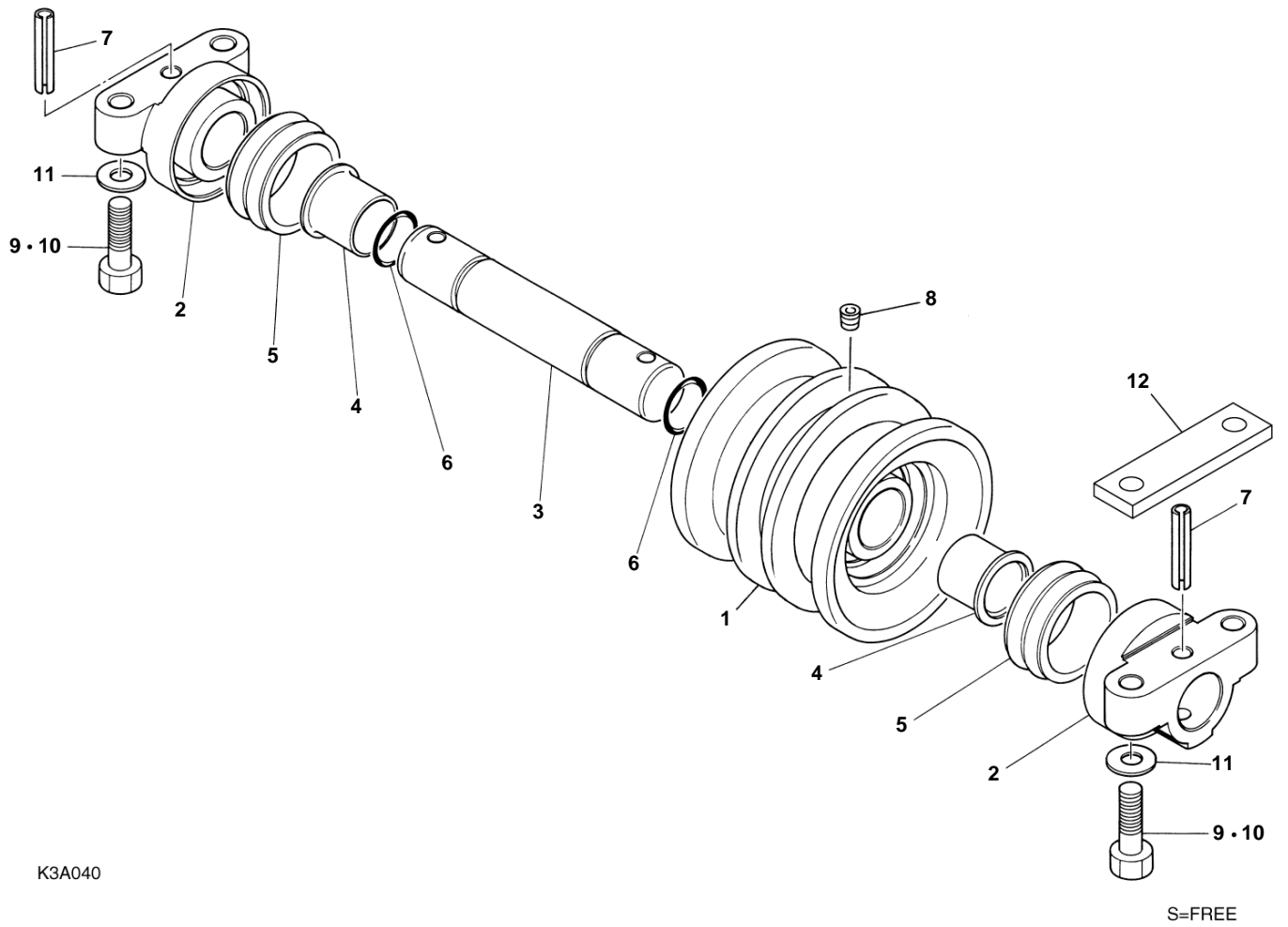
G4A100

S=1/3

CARRIER ROLLER

Item	Part number	Description	Q'ty	Chan.	Serial No.	Serv.	Remarks
0-1	0391200100	ROLLER ASSY, carrier	2				
1	0391200110	· ROLLER	1				
2	0391200120	· SHAFT	1				
3	0141201300	· COVER	1				
4	1431203062	· SEAL	1				
5	1300006206	· BEARING	2				
6	1221000062	· RING, snap	1				
7	1501820001	· PLUG	1				
8	1101041670	BOLT	2				
9	1130540016	NUT	2				
	J3a021						

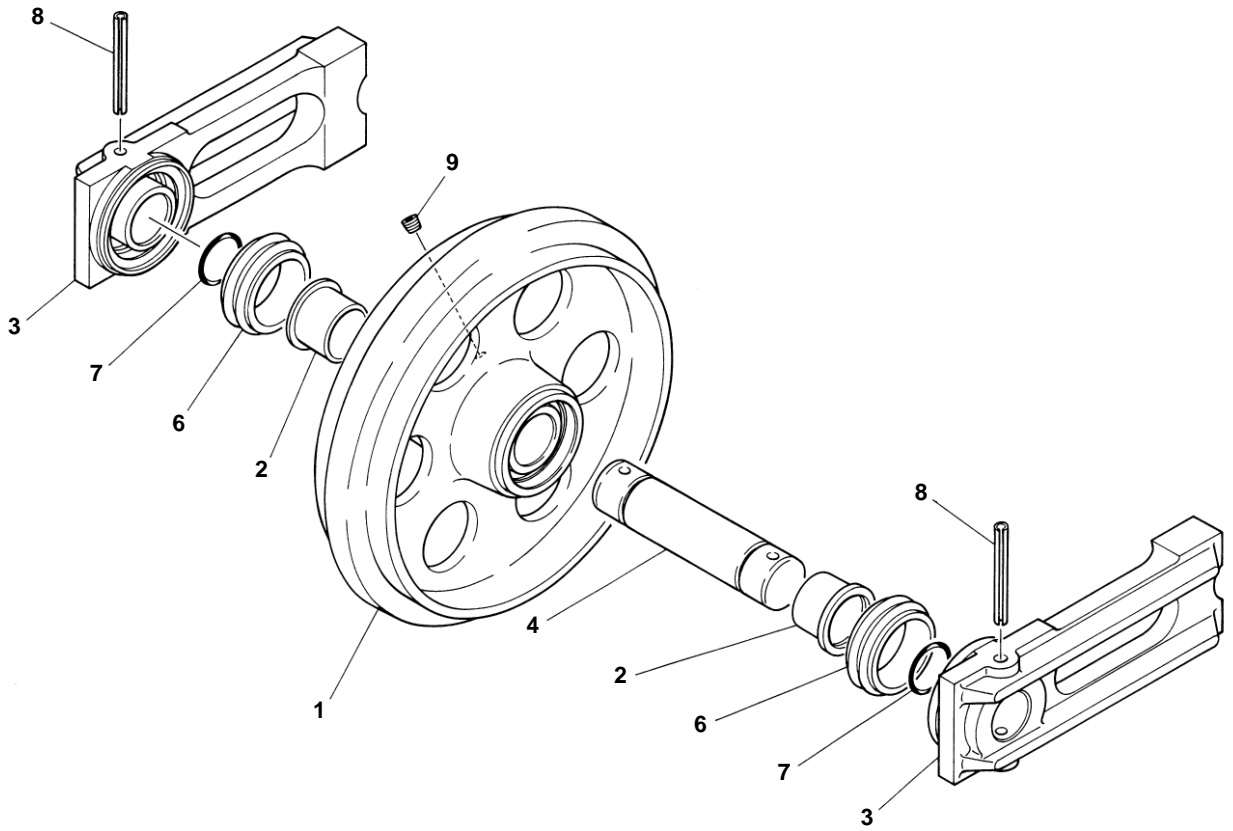
TB153FR (P-T153FBBB) Book No. BJ3Z003 S/N 15830001-
TRACK ROLLER



TRACK ROLLER

Item	Part number	Description	Q'ty	Chan.	Serial No.	Serv.	Remarks
		ROLLER ASSY, track (rubber)					
		ROLLER ASSY, track (steel)					
0-1	0391302100	ROLLER SUB ASSY, track	10				
1	0391302300	· ROLLER	1				
2	0461300300	· COVER	2				
3	0461300400	· SHAFT	1				
4	1333073535	· BUSHING	2				
5	1432500560	· SEAL, floating	2				
6	1420100300	· O-RING	2				
7	1213001055	· PIN, spring	2				
8	1501810001	· PLUG	2				
9	1101041245	BOLT	40				
10	1101041255	BOLT	40				steel
11	1141550012	WASHER	40				
12	0391300400	PLATE	20				steel
	J3a030						

TB153FR (P-T153FBBB) Book No. BJ3Z003 S/N 15830001-
FRONT IDLER



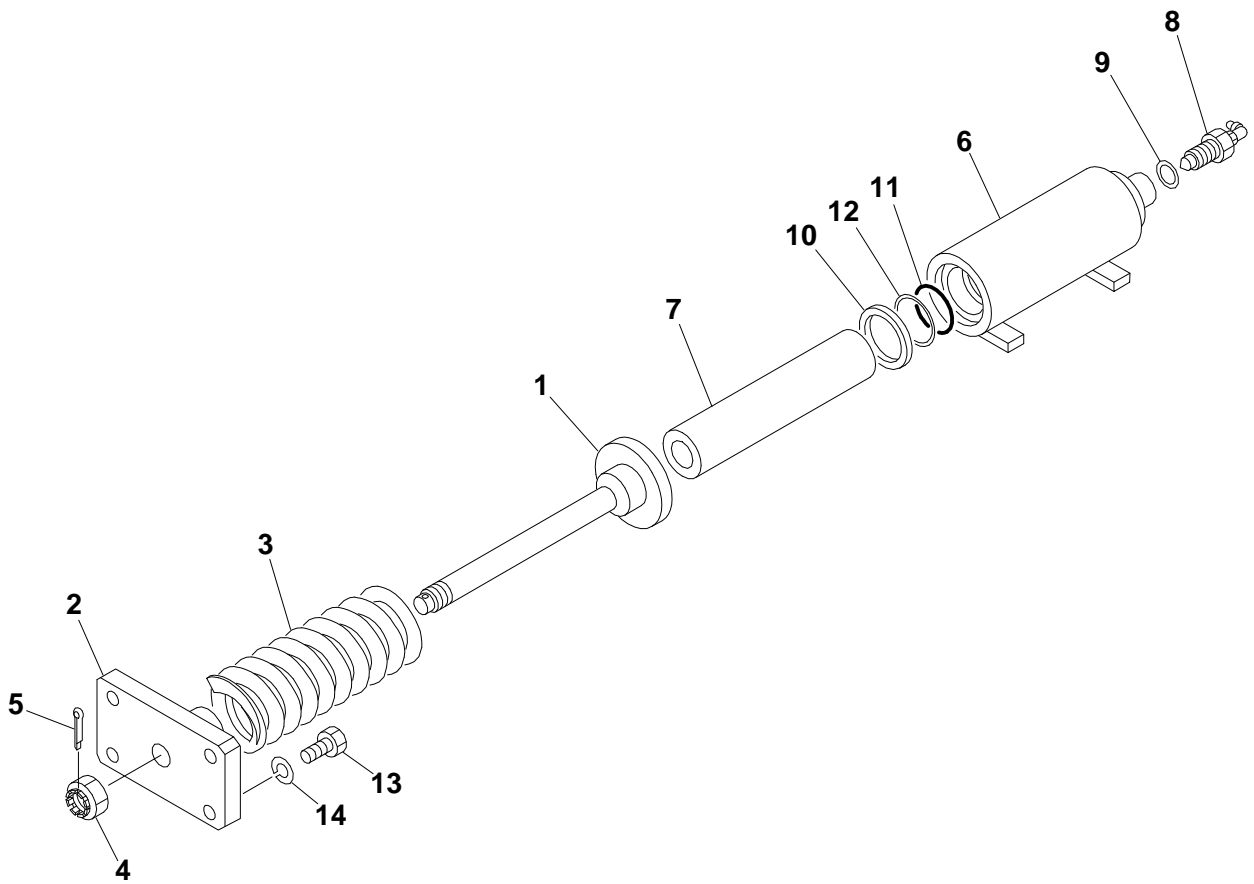
K3A050

S=FREE

FRONT IDLER

Item	Part number	Description	Q'ty	Chan.	Serial No.	Serv.	Remarks
0-1	0461490010	IDLER ASSY, front					
		IDLER ASSY, sub	2				
1	0461401100	· IDLER	1				
2	1333064540	· BUSHING	2				
3	0461400300	· BLOCK	2				
4	0461400400	· SHAFT	1				
6	1432500640	· SEAL, floating	2				
7	1420100400	· O-RING	2				
8	1213101000	· PIN, spring	2				
9	1501810001	· PLUG	2				
	J3a041						

TB153FR (P-T153FBBB) Book No. BJ3Z003 S/N 15830001-
TRACK ADJUSTER



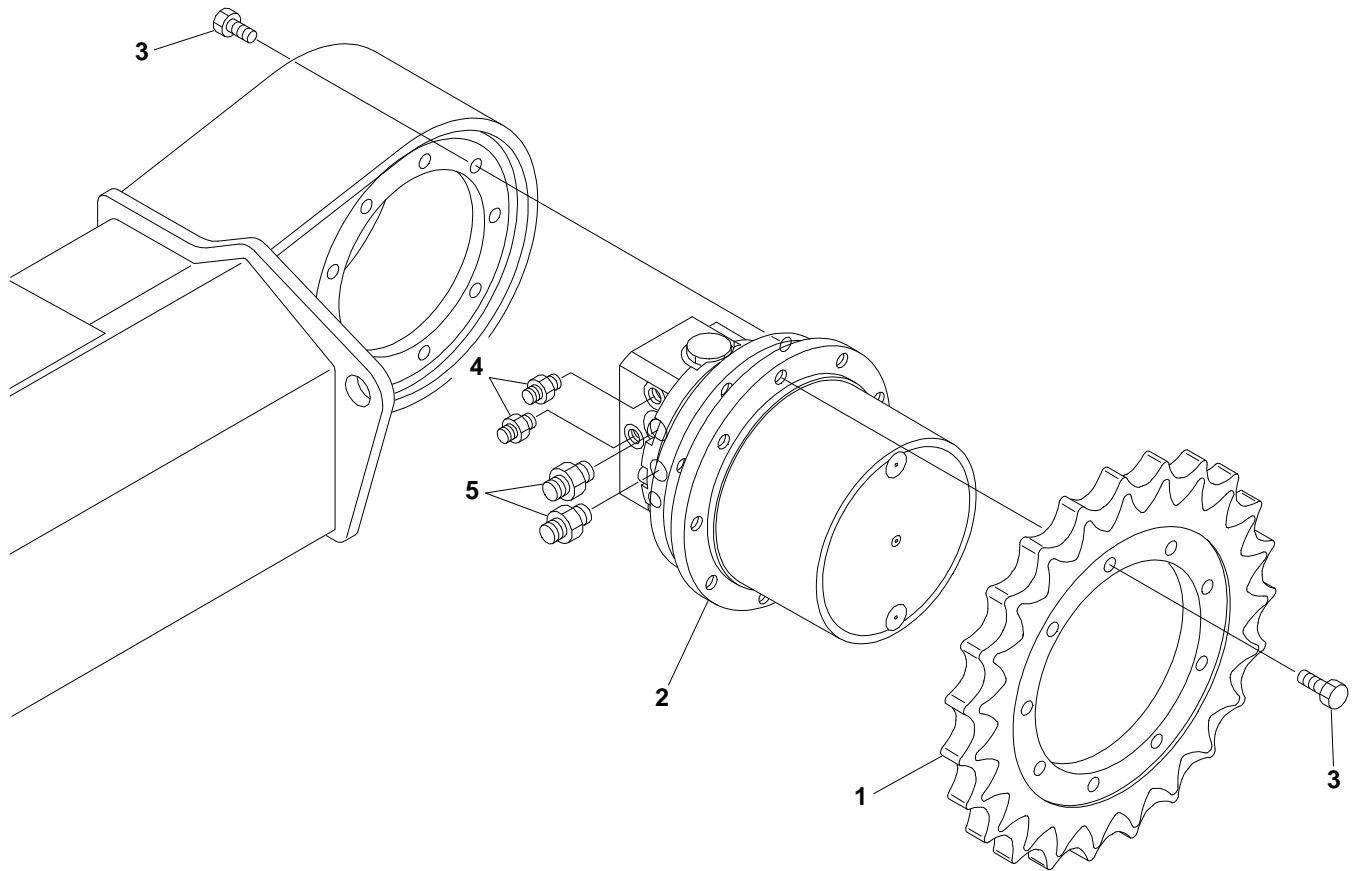
J2A030

S=FREE

TRACK ADJUSTER

Item	Part number	Description	Q'ty	Chan.	Serial No.	Serv.	Remarks
		SPRING ASSY					
0-1	0391508100	SPRING SUB ASSY	2				
1	0881151200	· ROD	1				
2	0391508120	· PLATE	1				
3	0007000002	· SPRING	1				
4	1132530027	· NUT	1				
5	1210000545	· PIN, split	1				
0-2	0391508200	CYLINDER ASSY, grease	2				
6	0391508210	· CYLINDER, grease	1				
7	0391508220	· PISTON	1				
8	1541301602	· VALVE ASSY, check	1				
9	1541201616	· WASHER	1				
10	1400403038	· SEAL	1				
11	1422010550	· O-RING	1				
12	1421020550	· RING, back-up	1				
13	1101041245	BOLT	8				
14	1140020012	WASHER, spring	8				
	J3a051						

TB153FR (P-T153FBBB) Book No. BJ3Z003 S/N 15830001-
TRAVEL DEVICE



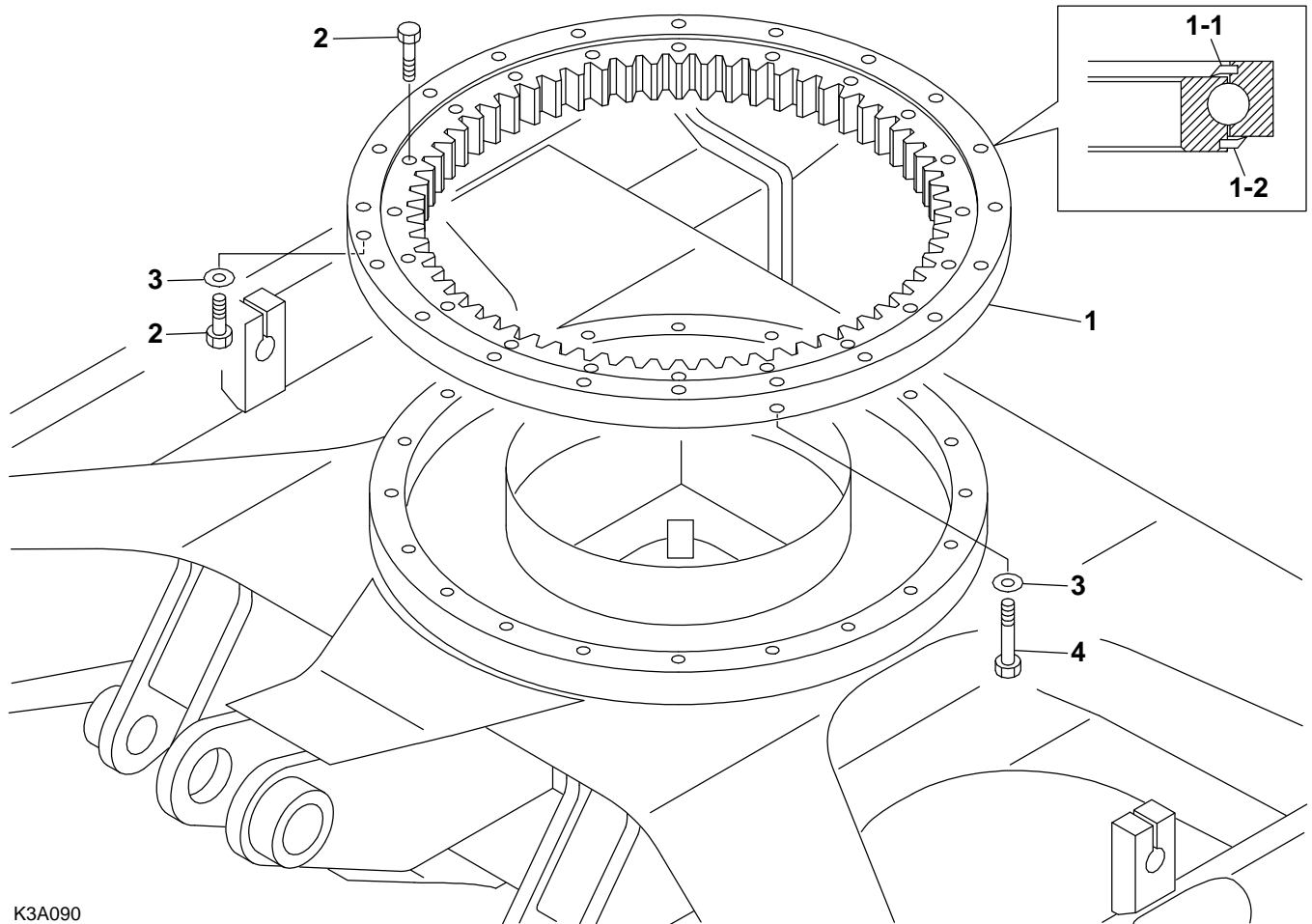
J3A010

S=FREE

TRAVEL DEVICE

Item	Part number	Description	Q'ty	Chan.	Serial No.	Serv.	Remarks
1	0261603100	MOTOR ASSY, travel	2				
2	1903127400	SPROCKET	2				
3	1100041435	MOTOR, travel	2				
3	1100041435	BOLT	42				
4	1515600200	ADAPTOR	4				
4	1420010110	· O-RING	1				
5	1515600202	ADAPTOR	4				
5	1420010180	· O-RING	1				
	J3a011						

TB153FR (P-T153FBBB) Book No. BJ3Z003 S/N 15830001-
SLEW BEARING



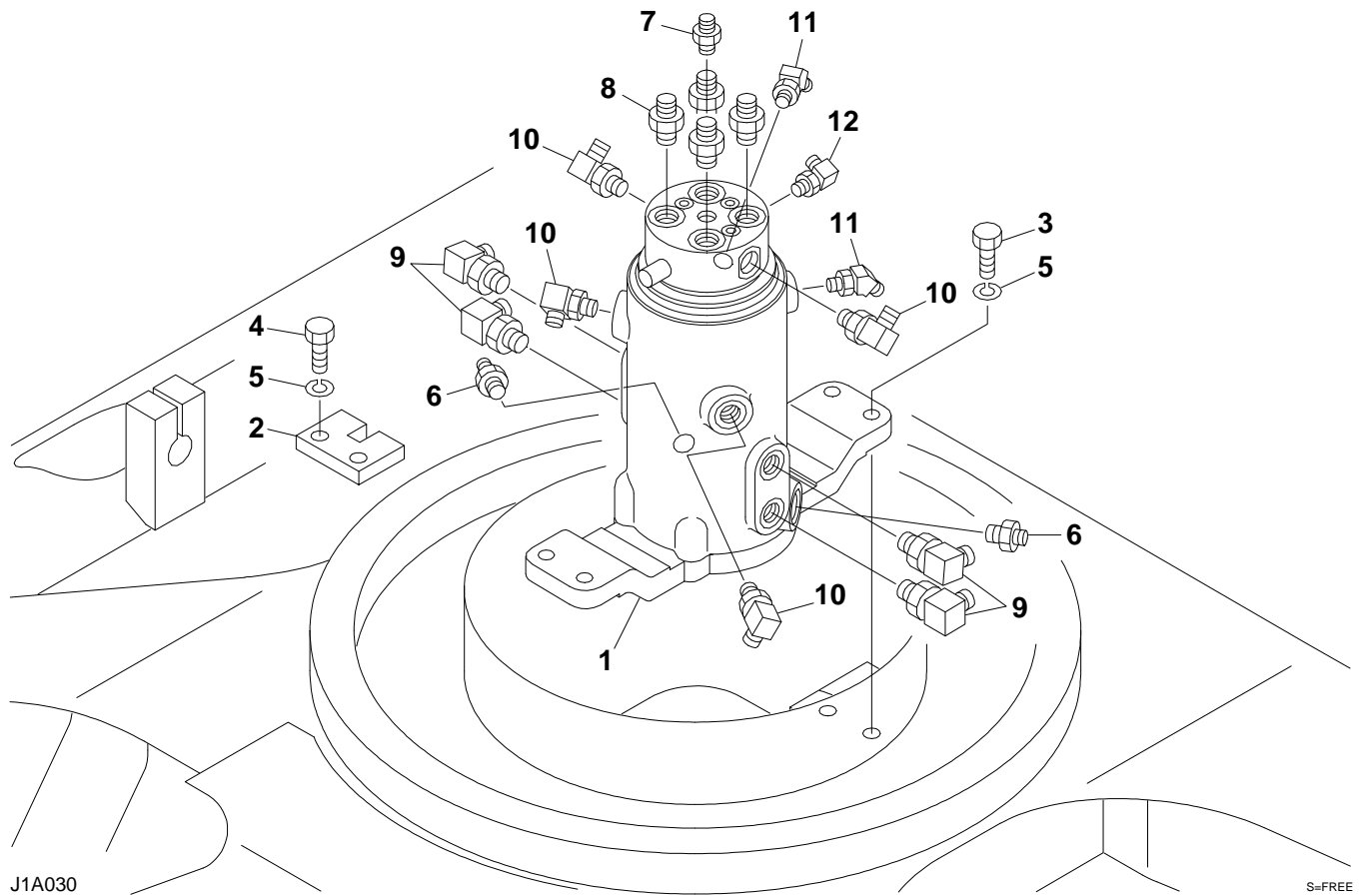
K3A090

S=FREE

SLEW BEARING

Item	Part number	Description	Q'ty	Chan.	Serial No.	Serv.	Remarks
1	1913003550	BEARING ASSY, slew	1				
1-1	1913003508	· SEAL	1				
1-2	1913003509	· SEAL	1				
2	1101051680	BOLT	39				
3	1141550016	WASHER	20				
4	0392000100	BOLT	1				
	J3a060						

TB153FR (P-T153FBBB) Book No. BJ3Z003 S/N 15830001-
SWIVEL JOINT & ACCESSORIES



J1A030

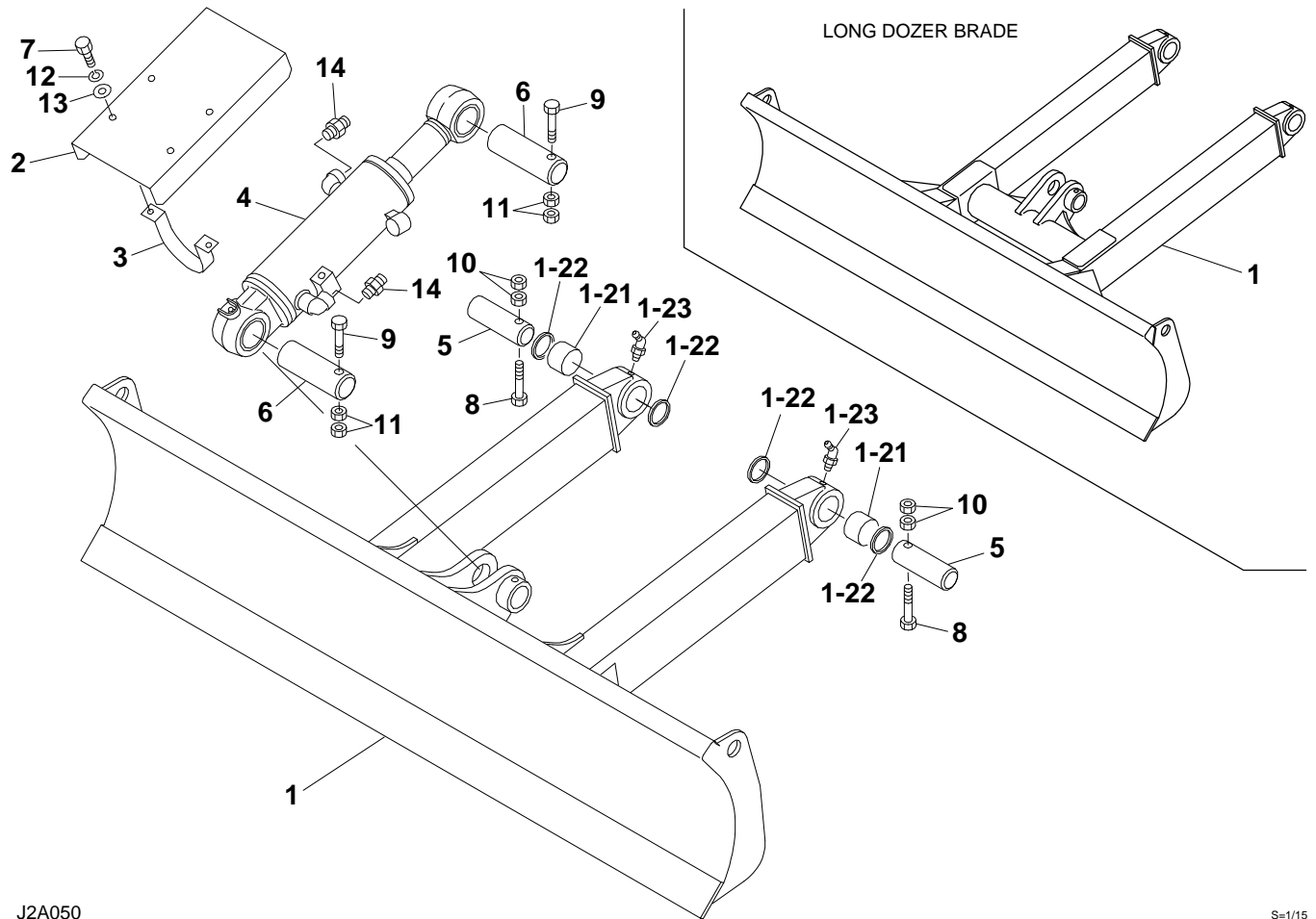
S=FREE

SWIVEL JOINT & ACCESSORIES

Item	Part number	Description	Q'ty	Chan.	Serial No.	Serv.	Remarks
1	1904006300	JOINT ASSY, swivel	1				
2	0442100100	JOINT, swivel	1				
3	1101041245	STOPPER	4				
4	1101041240	BOLT	4				
5	1140020012	BOLT	2				
6	1140020012	WASHER, spring	6				
7	0007203057	NIPPLE	2				
8	1511050003	ADAPTOR	1				
9	1515600202	ADAPTOR	4				
10	1420010180	· O-RING	1				
11	1515010042	ELBOW	4				
12	1420010180	· O-RING	1				
13	1515010041	ELBOW	4				
14	1420010140	· O-RING	1				
15	1515100110	ELBOW	2				
16	1420010110	· O-RING	1				
17	1515012040	ELBOW	1				
18	1420010110	· O-RING	1				

J3a080

TB153FR (P-T153FBBB) Book No. BJ3Z003 S/N 15830001-
DOZER BLADE



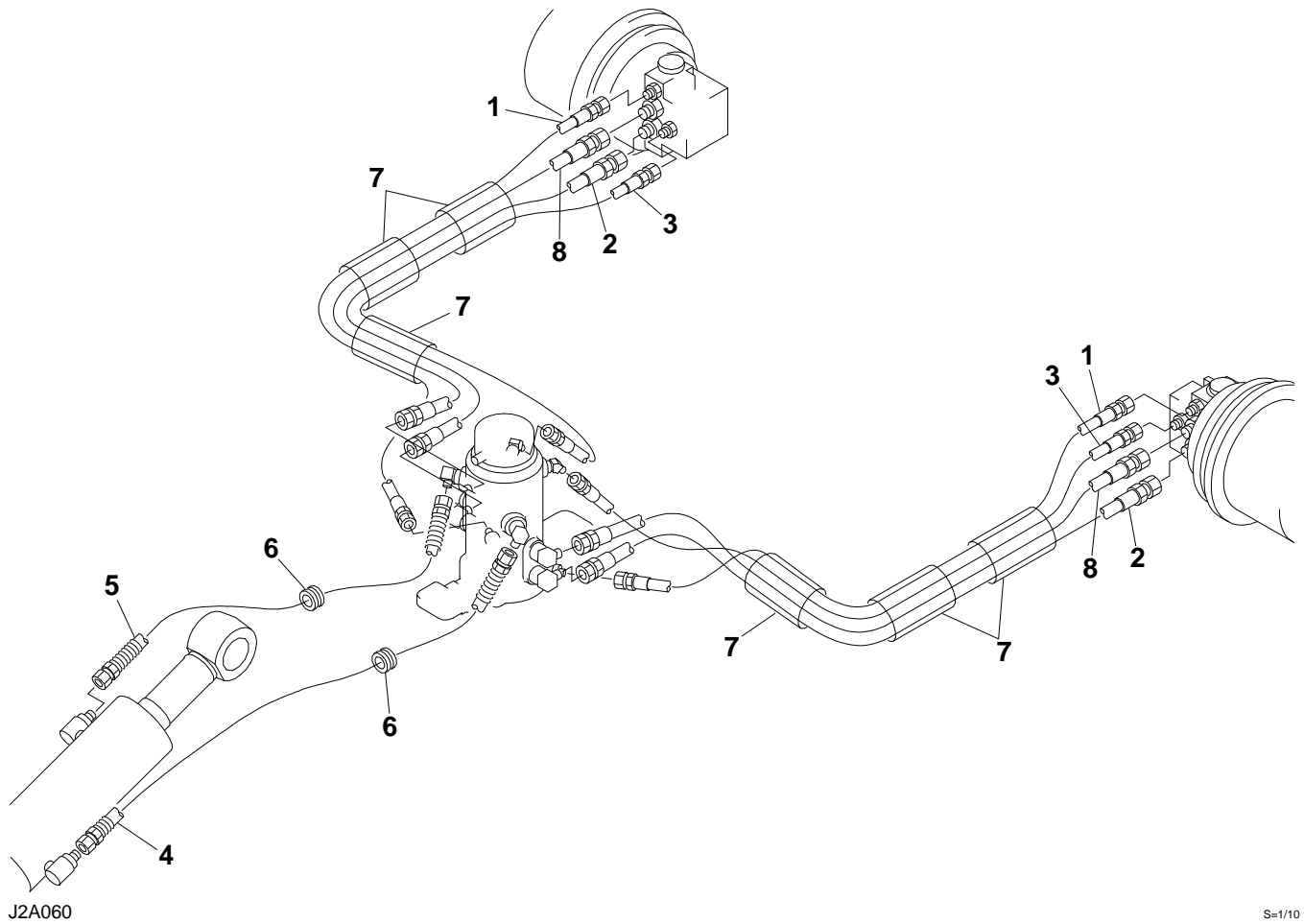
J2A050

S=1/15

DOZER BLADE

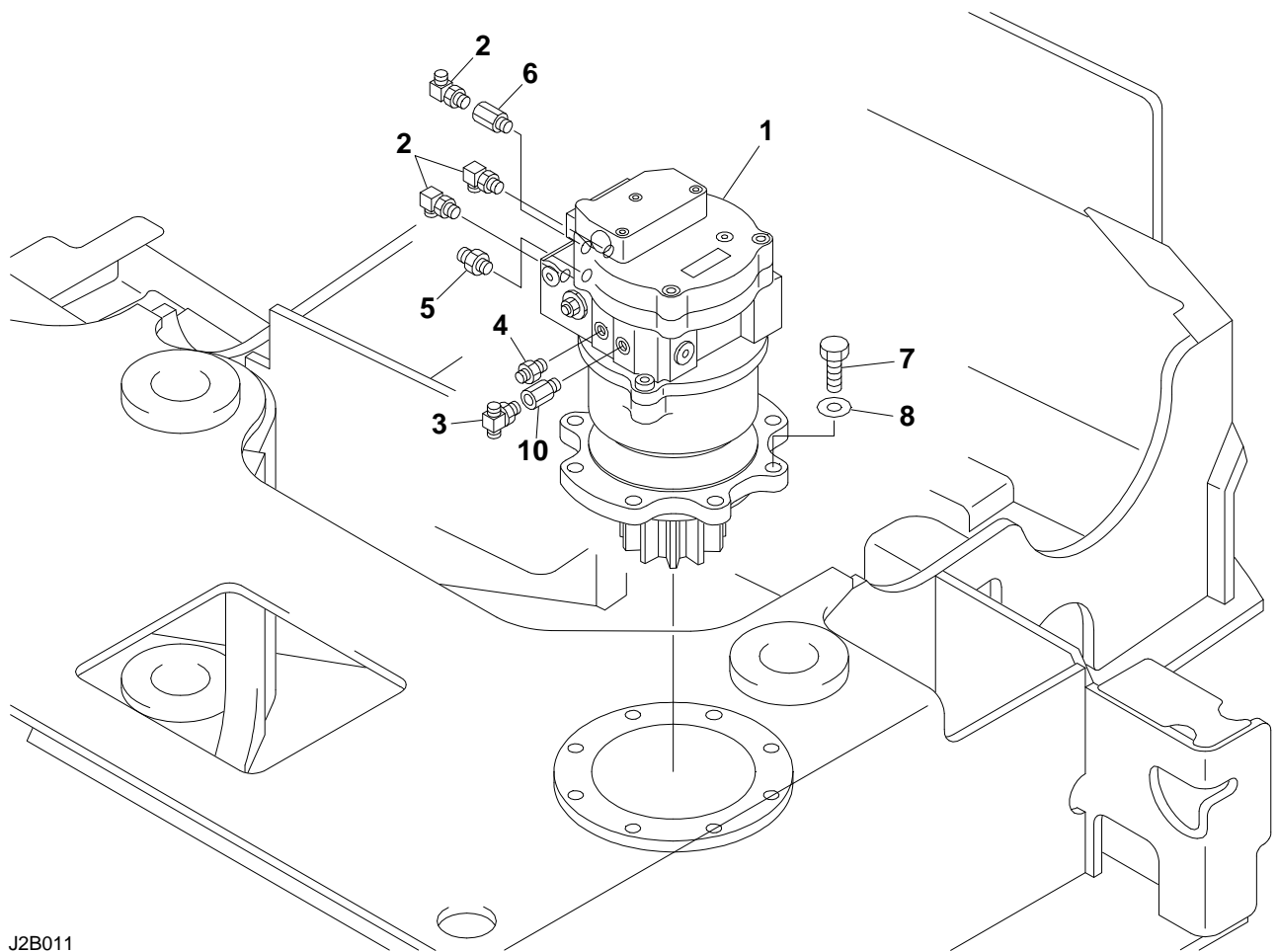
Item	Part number	Description	Q'ty	Chan.	Serial No.	Serv.	Remarks
		BLADE ASSY, dozer					
		BLADE ASSY, long dozer					
1	0396311100	BLADE, dozer	1				
	0396311400	BLADE, dozer	1				long
1-21	0002200014	· BUSHING	2				
1-22	1432200045	· SEAL, dust	4				
1-23	1560001675	· FITTING, grease	2				
2	0396308520	COVER	1				
3	0396308530	CLAMP	2				
4	1900077100	CYLINDER, dozer blade	1				
5	0001604135	PIN	2				
6	0001606150	PIN	2				
7	1100041030	BOLT	4				
8	1103041085	BOLT	2				
9	1103141200	BOLT	2				
10	1130240010	NUT	4				
11	1130240012	NUT	4				
12	1140020010	WASHER, spring	4				
13	1141110010	WASHER	4				
14	1515600201	ADAPTOR	2				
	1420010140	· O-RING	1				
	J2a050						

TB153FR (P-T153FBBB) Book No. BJ3Z003 S/N 15830001-
PIPING; LOWER



PIPING; LOWER						
Item	Part number	Description	Q'ty	Chan.	Serial No.	Serv. Remarks
		PIPING ASSY, lower				
1	1801022132	HOSE ASSY	2			
2	1801570132	HOSE ASSY	2			
3	0397204030	HOSE ASSY	2			18010-22140
4	1801620116	HOSE ASSY	1			
5	1801620094	HOSE ASSY	1			
6	0437200100	GUARD	2			
7	1531350020	PROTECTOR	6			sold by the meter
8	0397204080	HOSE ASSY	2			18015-70132
	J3a070					

TB153FR (P-T153FBBB) Book No. BJ3Z003 S/N 15830001-
SLEWING DEVICE



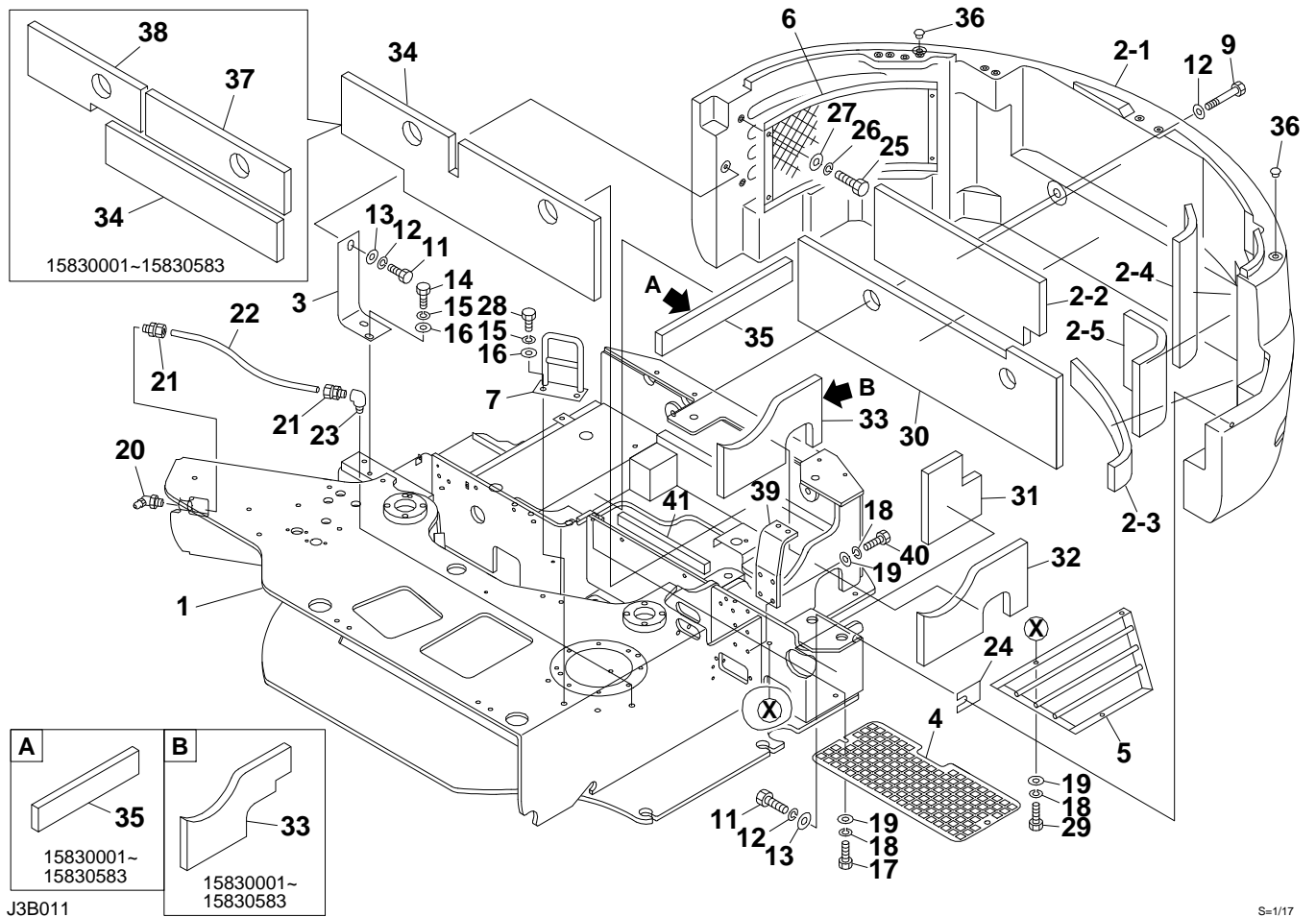
J2B011

S=1/7

SLEWING DEVICE

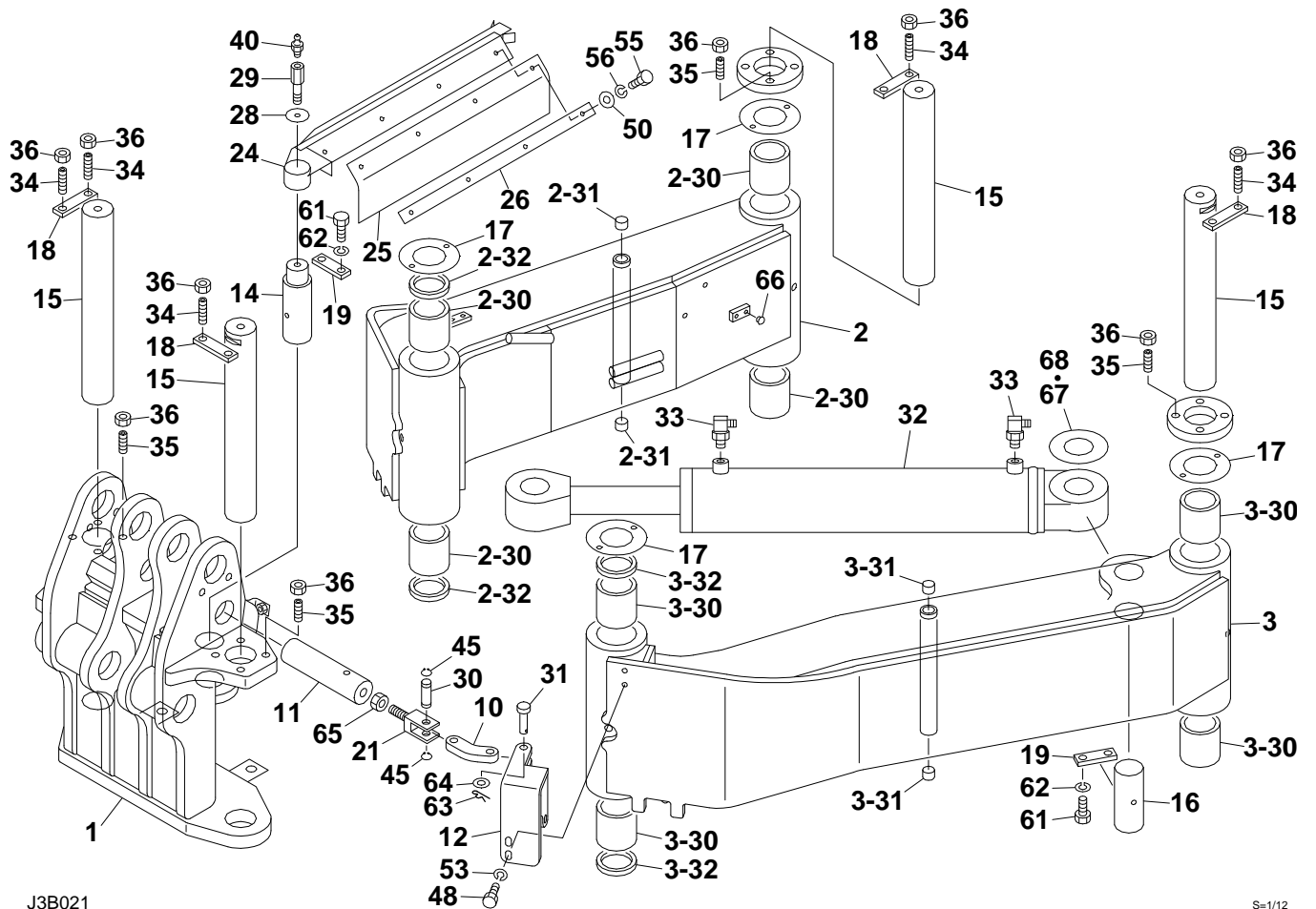
Item	Part number	Description	Q'ty	Chan.	Serial No.	Serv.	Remarks
1	1903125500	DEVICE ASSY, slewing	1				
		MOTOR, slew	1				
2	1515010131	ELBOW	3				
	1420010140	· O-RING	1				
3	1512370010	TEE	1				
	1420010110	· O-RING	1				
4	1515600200	ADAPTOR	1				
	1420010110	· O-RING	1				
5	1515600201	ADAPTOR	1				
	1420010140	· O-RING	1				
6	0007213016	BUSHING	1				
	1420010140	· O-RING	1				
7	1101041640	BOLT	8				
8	1141550016	WASHER	8				
10	1513250202	BUSHING	1				
	1420010110	· O-RING	1				
	J2b011						

TB153FR (P-T153FBBB) Book No. BJ3Z003 S/N 15830001-
TURNTABLE



TURNTABLE							
Item	Part number	Description	Q'ty	Chan.	Serial No.	Serv.	Remarks
		TURNTABLE ASSY (cab)					
		TURNTABLE ASSY (canopy)					
1	X *****	TURNTABLE	1				
2	0393022400	COUNTERWEIGHT ASSY	1				cab
	0393022700	COUNTERWEIGHT ASSY	1				canopy
2-1	0393022200	· COUNTERWEIGHT	1				cab
	0393022600	· COUNTERWEIGHT	1				canopy
2-2	0393022420	· ABSORBENT, noise	1				
2-3	0393022430	· ABSORBENT, noise	1				
2-4	0393022440	· ABSORBENT, noise	1				
2-5	0393022450	· ABSORBENT, noise	1				
3	0393022300	ANGLE	1				
4	0393022315	COVER	1				
5	0393022340	GUARD	1				
6	0393022350	NET	1				
7	0393015200	BRACKET	1				
9	1101141640	BOLT	2				
11	1101041645	BOLT	2				
12	0003000010	WASHER	4				
13	1140020016	WASHER, spring	2				
14	1101041240	BOLT	2				
15	1140020012	WASHER, spring	4				
16	1141110012	WASHER	4				
17	1100041020	BOLT	2				
18	1140020010	WASHER, spring	9				
19	1141110010	WASHER	9				
20	1560001675	FITTING, grease	1				
21	1532520601	CONNECTOR	2				
22	1532120663	TUBE	1				sold by the meter
23	0007262005	ELBOW	1				
24	0393014200	PLATE	1				
25	1100040820	BOLT	4				
26	1140020008	WASHER, spring	4				
27	1141110008	WASHER	4				
28	1101041220	BOLT	2				
29	1100041025	BOLT	3				
30	0393022360	ABSORBENT, noise	1				
31	0393022361	ABSORBENT, noise	1				
32	0393022362	ABSORBENT, noise	1				
33	0393022363	ABSORBENT, noise	1		15830001~15830583		
	0393026200	ABSORBENT, noise	1		15830584~	M	
34	0393022364	ABSORBENT, noise	1		15830001~15830583		
	0393026210	ABSORBENT, noise	1		15830584~	M	
35	0393022365	ABSORBENT, noise	1		15830001~15830583		
	0393026220	ABSORBENT, noise	1		15830584~	M	
36	1652533021	CAP	2				
37	0393022366	ABSORBENT, noise	1		15830001~15830583		
38	0393022367	ABSORBENT, noise	1		15830001~15830583		
39	0393022370	PLATE	1				
40	1100041030	BOLT	4				
41	1654314032	SPONGE	1				sold by the meter
	J3b011						

**TB153FR (P-T153FBBB) Book No. BJ3Z003 S/N 15830001-
BOOM OFFSET (1/2)**



J3B021

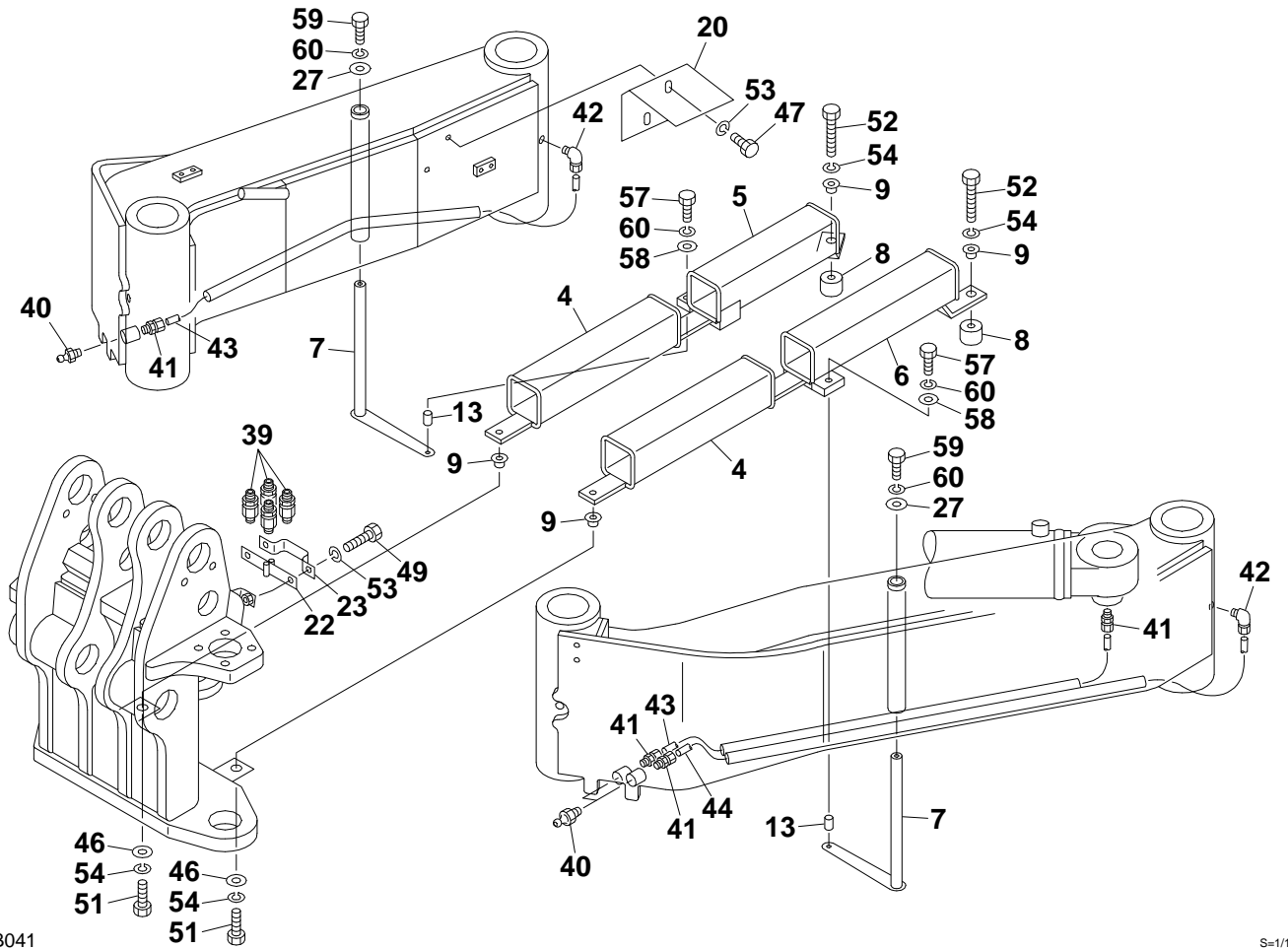
S=1/12

BOOM OFFSET (1/2)

Item	Part number	Description	Q'ty	Chan.	Serial No.	Serv.	Remarks
		OFFSET ASSY, boom					
1	0393112500	BRACKET	1				
2	0393112200	OFFSET, arm (R.H)	1				
2-30	0002400048	· BUSHING	4				
2-31	1333002015	· BUSHING	2				
2-32	1432200060	· SEAL, dust	2				
3	0393112700	OFFSET, arm (L.H)	1				
3-30	0002400048	· BUSHING	4				
3-31	1333002015	· BUSHING	2				
3-32	1432200060	· SEAL, dust	2				
10	0393104510	LINK	1				
11	0393109450	PIN	1				
12	0393104500	BRACKET	1				
14	0393107600	PIN	1				
15	0393104620	PIN	4				
16	0393104630	PIN	1				
17	0393104640	SPACER	4				
18	0393109400	PLATE	4				
19	0393109410	PLATE	2				
21	0393109460	YOKE	1				
24	0393107700	GUARD	1				
25	0393107710	RUBBER	1				
26	0393107720	PLATE	1				
28	0003600057	WASHER	1				
29	0007210026	BUSHING	1				M
30	0004215032	SHAFT	1				
31	0004015003	PIN	1				
32	1900092300	CYLINDER, offset	1				
33	1515010041	ELBOW	2				
	1420010140	· O-RING	1				
34	1121041455	SET-SCREW	8				
35	1121041445	SET-SCREW	8				
36	1130040014	NUT	16				
40	1560001000	FITTING, grease	1				
45	1220000015	RING, retaining	2				
48	1100041025	BOLT	2				
50	1141110006	WASHER	4				
53	1140020010	WASHER, spring	3				
55	1100040620	BOLT	4				
56	1140020006	WASHER, spring	4				
61	1100041425	BOLT	4				
62	1140020014	WASHER, spring	4				
63	1214000012	PIN, snap	1				
64	1141110016	WASHER	1				
65	1130040016	NUT	1				
66	1652533016	CAP	6				
67	0003600108	SHIM	AR				t=0.2mm
68	0003600109	SHIM	AR				t=0.5mm

J3b022

TB153FR (P-T153FBBB) Book No. BJ3Z003 S/N 15830001-
BOOM OFFSET (2/2)



BUY NOW

**Then Instant Download
the Complete Manual
Thank you very much!**