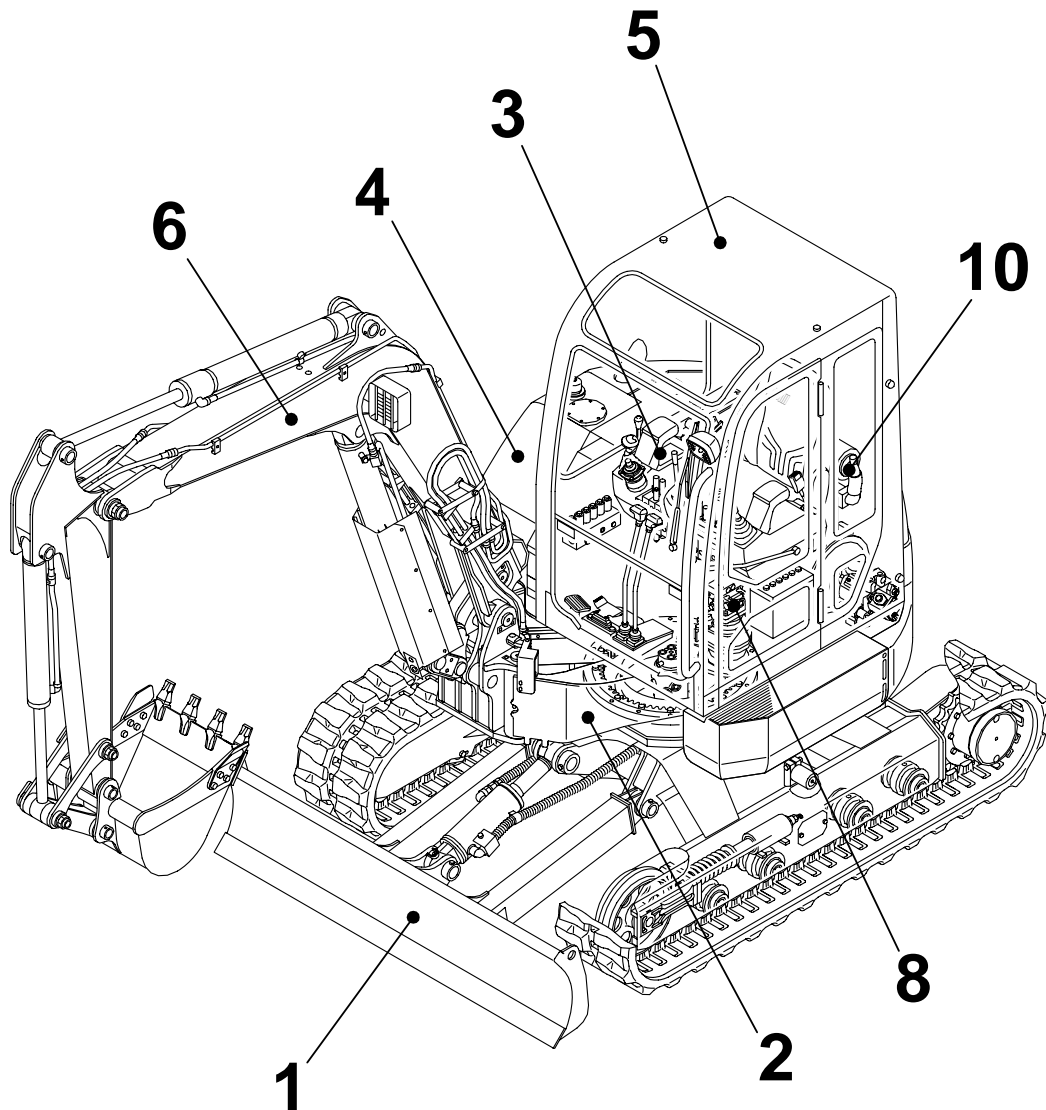


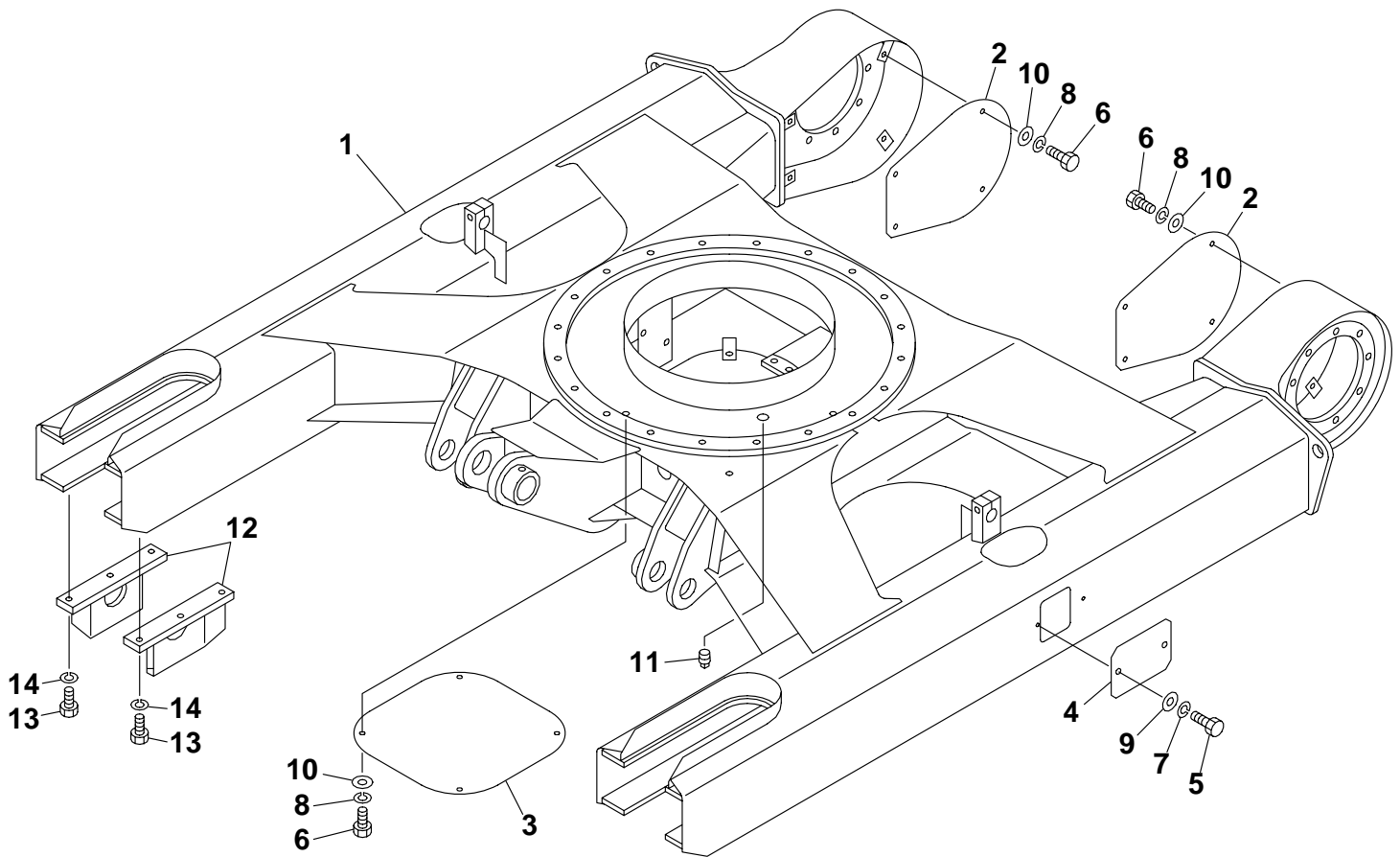
# TB153FR

Book No. BJ2Z004  
Serial No.15820004-



# TAKEUCHI

TB153FR Book No. BJ2Z004 S/N 15820004-  
**LOWER FRAME**

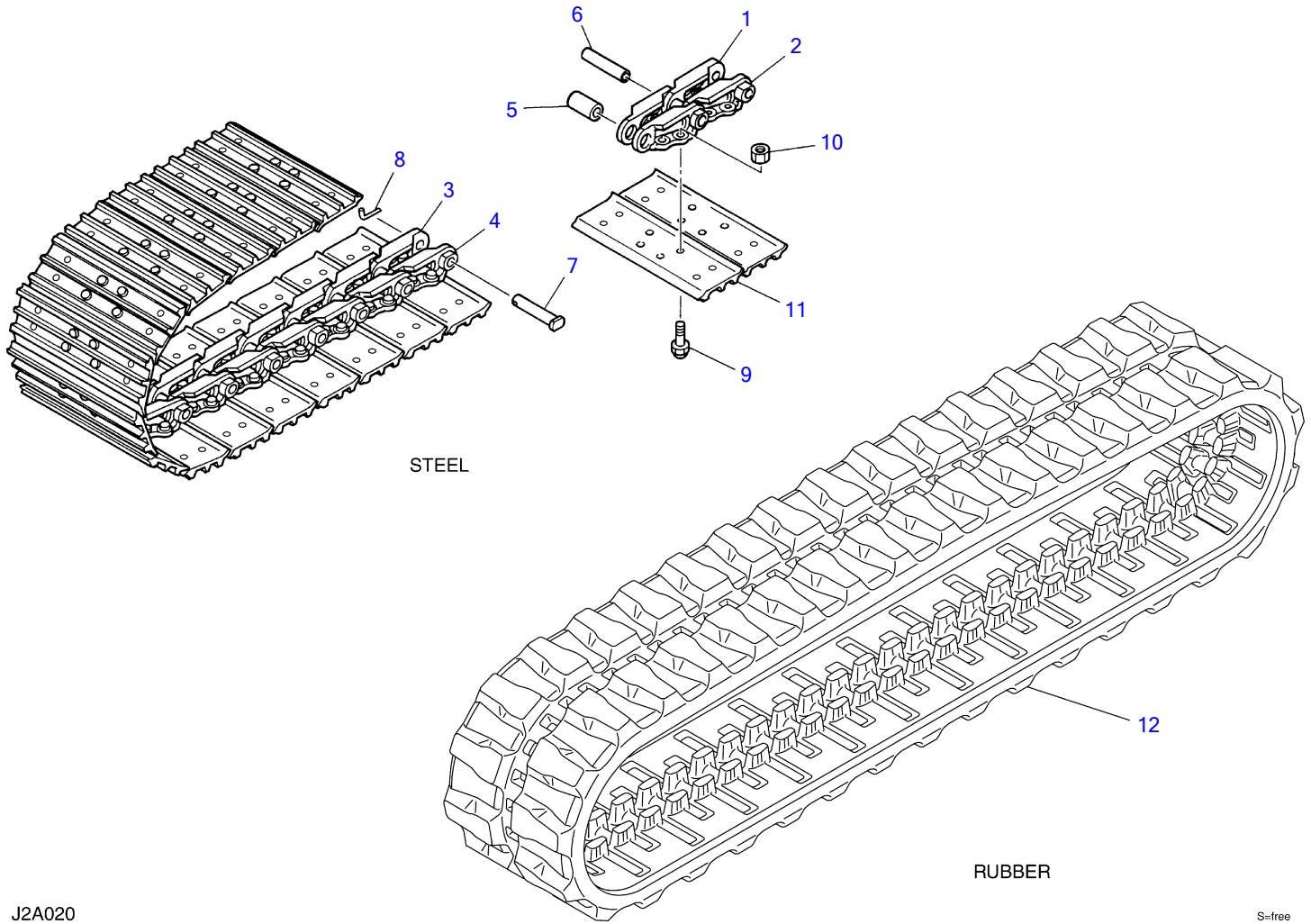


J2A010

S=1/14

**LOWER FRAME**

Item	Part number	Description	Q'ty	Chan.	Serial No.	Serv.	Remarks
		FRAME ASSY, lower (rubber)					X03910-11000-0
		FRAME ASSY, lower (steel)					X03910-11500-0
1	X *****	FRAME	1				
2	<b>03910-04002</b>	COVER	2				
3	<b>03910-04003</b>	COVER	1				
4	<b>05610-17400</b>	COVER	2				
5	<b>11000-40816</b>	BOLT	4				
6	<b>11000-41020</b>	BOLT	12				
7	<b>11400-20008</b>	WASHER, spring	4				
8	<b>11400-20010</b>	WASHER, spring	12				
9	<b>11411-10008</b>	WASHER	4				
10	<b>11411-10010</b>	WASHER	12				
11	<b>15087-10010</b>	PLUG	1				
12	<b>04610-00700</b>	GUIDE, shoe	4				steel
13	<b>11010-41230</b>	BOLT	12				steel
14	<b>11400-20012</b>	WASHER, spring	12				steel
	<b>J2a010</b>						



J2A020

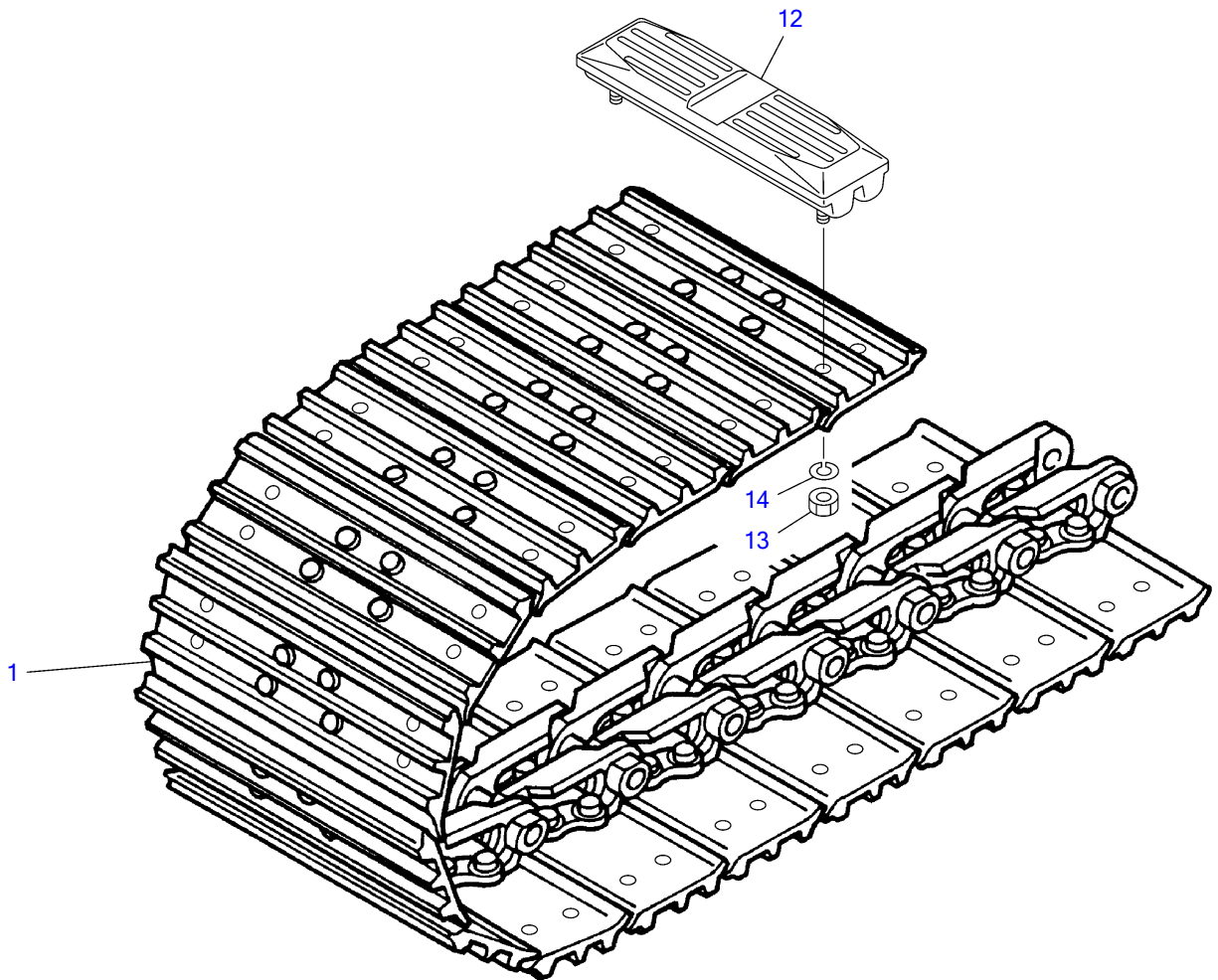
S-free

**CRAWLER BELT**

Item	Part number	Description	Q'ty	Chan.	Serial No.	Serv.	Remarks
0	<b>1914051600</b>	BELT ASSY, steel crawler	2				X19140-51600-0
1	<b>1914039001</b>	▪ LINK (R.H.)	37				
2	<b>1914039002</b>	▪ LINK (L.H.)	37				
3	<b>1914039003</b>	▪ LINK, master (R.H.)	1				
4	<b>1914039004</b>	▪ LINK, master (L.H.)	1				
5	<b>1914039012</b>	▪ BUSHING	38				
6	<b>1914039006</b>	▪ PIN, track	37				
7	<b>1914039007</b>	▪ PIN, master	1				
8	<b>1914039008</b>	▪ PIN	1				
9	<b>1914039009</b>	▪ BOLT	152				
10	<b>1914033010</b>	▪ NUT	152				
11	<b>1914051611</b>	▪ PLATE, shoe	38				
12	<b>1914065610</b>	BELT, rubber crawler	2				

**J2a020**

TB153FR Book No. BJ2Z004 S/N 15820004-  
CRAWLER BELT (with rubber pads)

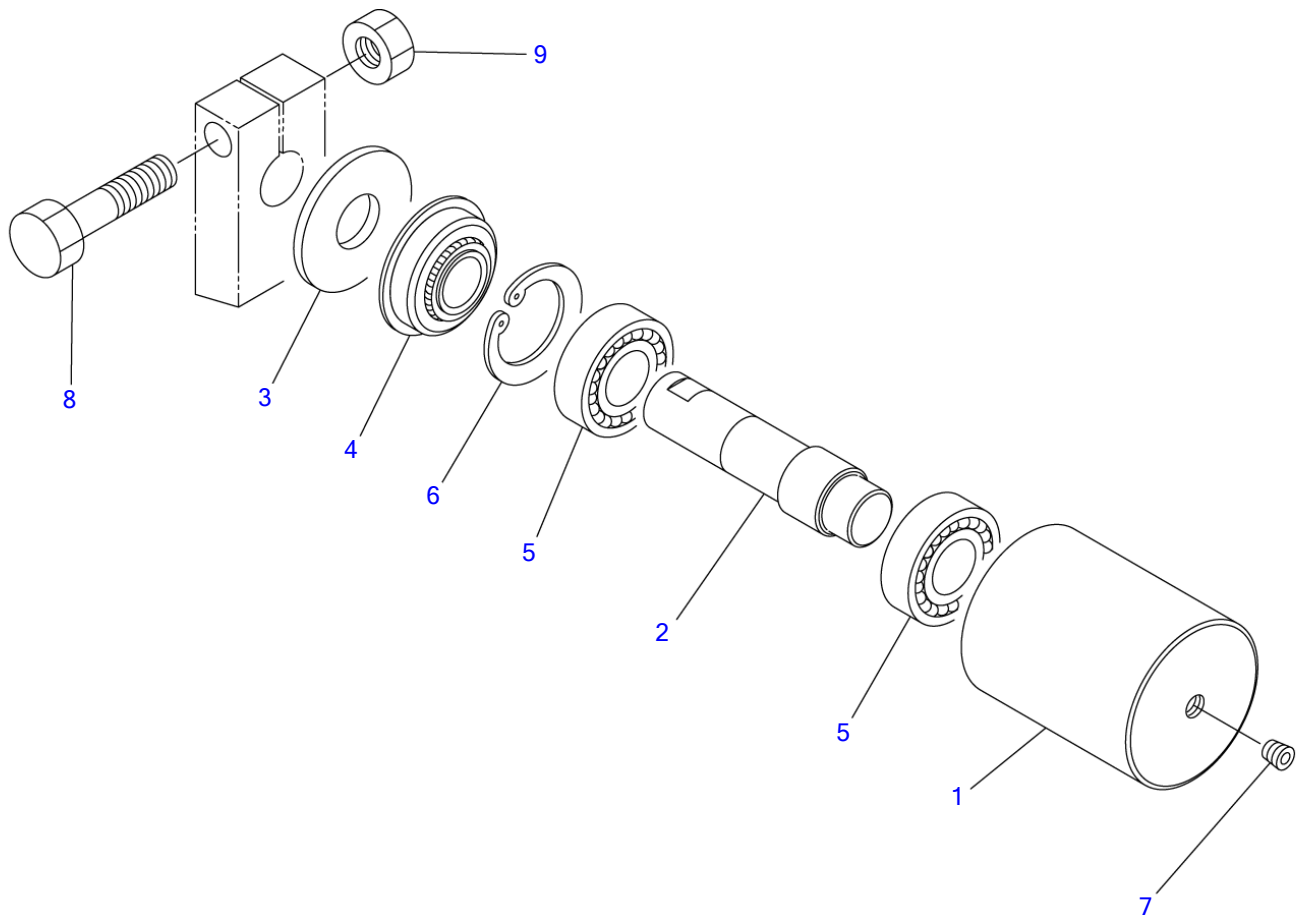


K3A152

S-free

**CRAWLER BELT (with rubber pads)**

Item	Part number	Description	Q'ty	Chan.	Serial No.	Serv.	Remarks
0	<b>1914051700</b>	BELT ASSY, steel crawler (with rubber pads)	2				X19140-51700-0
1	<b>1914051600</b>	▪ BELT, steel crawler	1				
12	<b>1914400500</b>	▪ PAD, rubber	38				
13	<b>1130020012</b>	▪ ▪ NUT	4				
14	<b>1140020012</b>	▪ ▪ WASHER, spring	4				
	<b>K3a153</b>						



G4A100

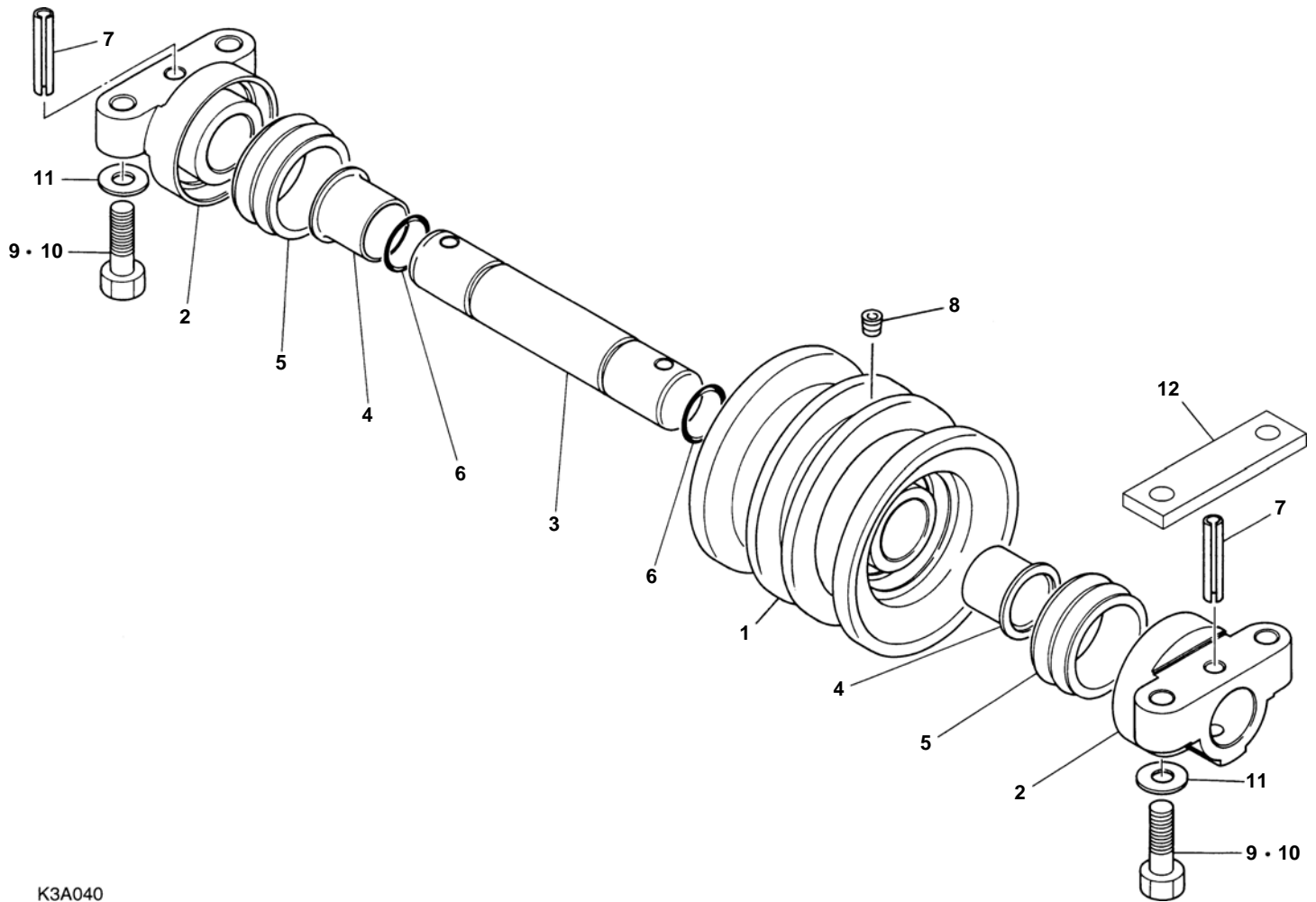
S=1/3



**CARRIER ROLLER**

Item	Part number	Description	Q'ty	Chan.	Serial No.	Serv.	Remarks
		ROLLER ASSY, carrier					X03912-00000-2
0-1	<b>0391200100</b>	ROLLER SUB ASSY	2				
1	<b>0391200110</b>	▪ ROLLER	1				
2	<b>0391200120</b>	▪ SHAFT	1				
3	<b>0141201300</b>	▪ COVER	1				
4	<b>1431203062</b>	▪ SEAL	1				
5	<b>1300006206</b>	▪ BEARING	2				
6	<b>1221000062</b>	▪ RING, snap	1				
7	<b>1501820001</b>	▪ PLUG	1				
8	<b>1101041670</b>	BOLT	2				
9	<b>1130540016</b>	NUT	2				
	<b>K3a141</b>						

TB153FR Book No. BJ2Z004 S/N 15820004-  
TRACK ROLLER

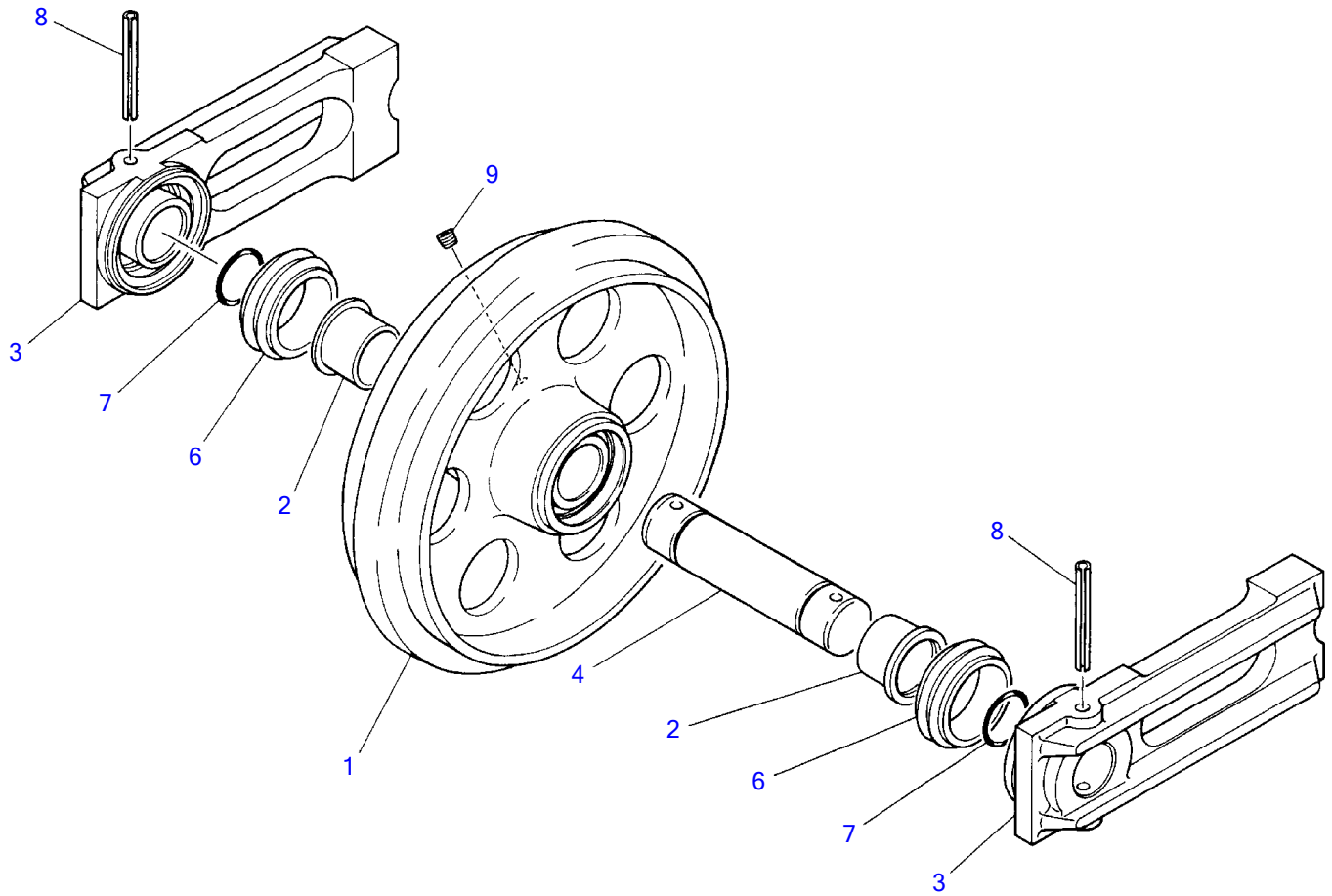


K3A040

**TRACK ROLLER**

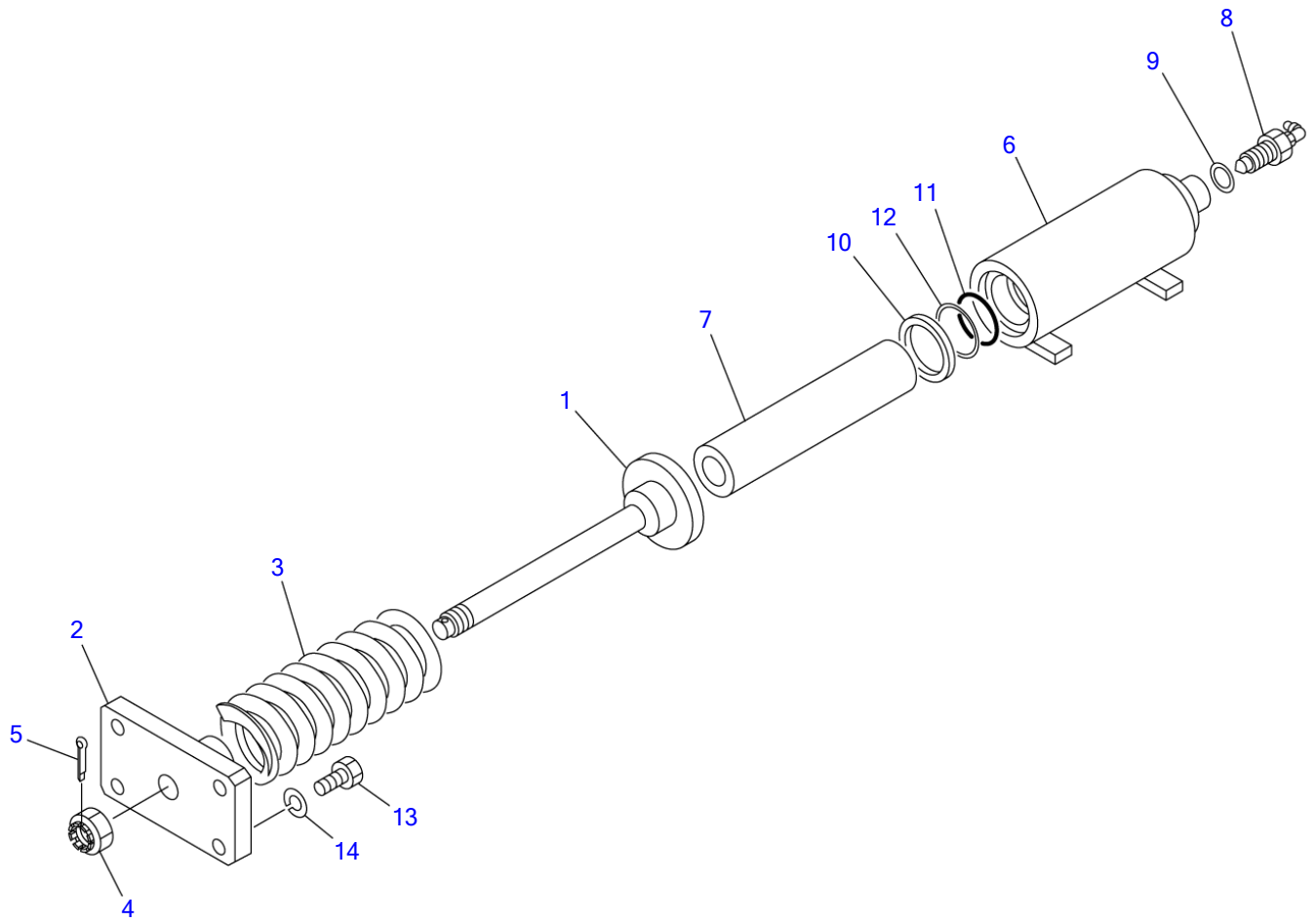
Item	Part number	Description	Q'ty	Chan.	Serial No.	Serv.	Remarks
		ROLLER ASSY, track (rubber)					X03913-02000-5
		ROLLER ASSY, track (steel)					X03913-03000-5
0-1	<b>0391302100</b>	ROLLER SUB ASSY, track	10				
1	<b>0391302300</b>	• ROLLER	1				
2	<b>0461300300</b>	• COVER	2				
3	<b>0461300400</b>	• SHAFT	1				
4	<b>1333073535</b>	• BUSHING	2				
5	<b>1432500560</b>	• SEAL, floating	2				
6	<b>1420100300</b>	• O-RING	2				
7	<b>1213001055</b>	• PIN, spring	2				
8	<b>1501810001</b>	• PLUG	2				
9	<b>1101051245</b>	BOLT	40				
10	<b>1101051255</b>	BOLT	40				steel
11	<b>1141540012</b>	WASHER	40				
12	<b>0391300400</b>	PLATE	20				steel
	<b>K3a042</b>						

TB153FR Book No. BJ2Z004 S/N 15820004-  
FRONT IDLER



K3A050

Item	Part number	Description	FRONT IDLER			Remarks
			Q'ty	Chan.	Serial No.	
		IDLER ASSY, front				
0-1	<b>0461490010</b>	IDLER ASSY, sub	2			X04614-01000-4
1	<b>0461401100</b>	▪ IDLER	1			
2	<b>1333064540</b>	▪ BUSHING	2			
3	<b>0461400300</b>	▪ BLOCK	2			
4	<b>0461400400</b>	▪ SHAFT	1			
6	<b>1432500640</b>	▪ SEAL, floating	2			
7	<b>1420100400</b>	▪ O-RING	2			
8	<b>1213101000</b>	▪ PIN, spring	2			
9	<b>1501810001</b>	▪ PLUG	2			
	<b>K3a053</b>					

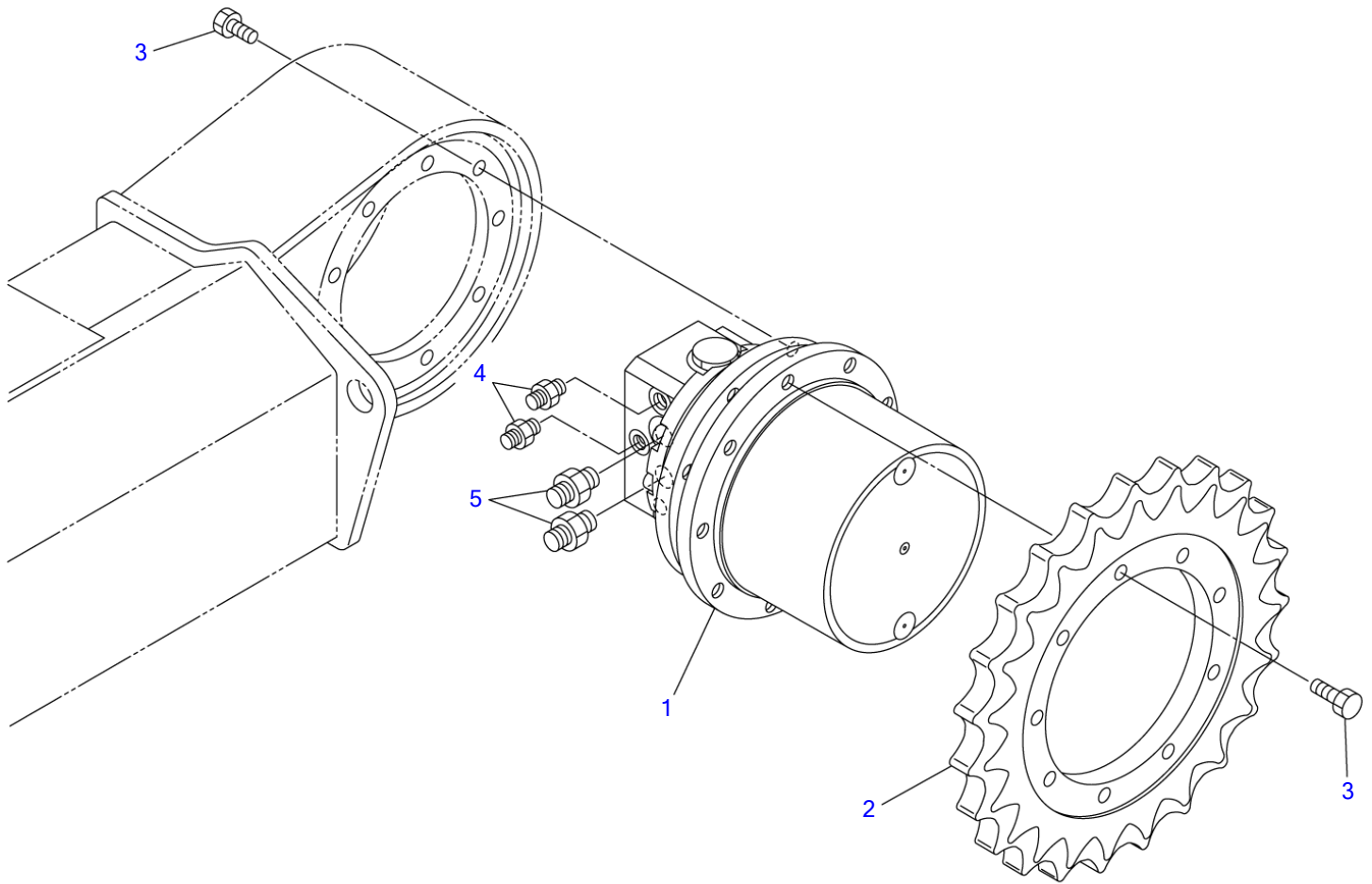


J2A030

S=FREE

**TRACK ADJUSTER**

Item	Part number	Description	Q'ty	Chan.	Serial No.	Serv.	Remarks
		SPRING ASSY					X03915-08000-1
0-1	<b>0391508100</b>	SPRING SUB ASSY	2				
1	<b>0881151200</b>	• ROD	1				
2	<b>0391508120</b>	• PLATE	1				
3	<b>0007000002</b>	• SPRING	1				
4	<b>1132530027</b>	• NUT	1				
5	<b>1210000545</b>	• PIN, split	1				
0-2	<b>0391508200</b>	CYLINDER ASSY, grease	2				
6	<b>0391508210</b>	• CYLINDER, grease	1				
7	<b>0391508220</b>	• PISTON	1				
8	<b>1541301602</b>	• VALVE ASSY, check	1				
9	<b>1541201616</b>	• WASHER	1				
10	<b>1400403038</b>	• SEAL	1				
11	<b>1422010550</b>	• O-RING	1				
12	<b>1421020550</b>	• RING, back-up	1				
13	<b>1101041245</b>	BOLT	8				
14	<b>1140020012</b>	WASHER, spring	8				
	<b>J2a030</b>						



J2A040

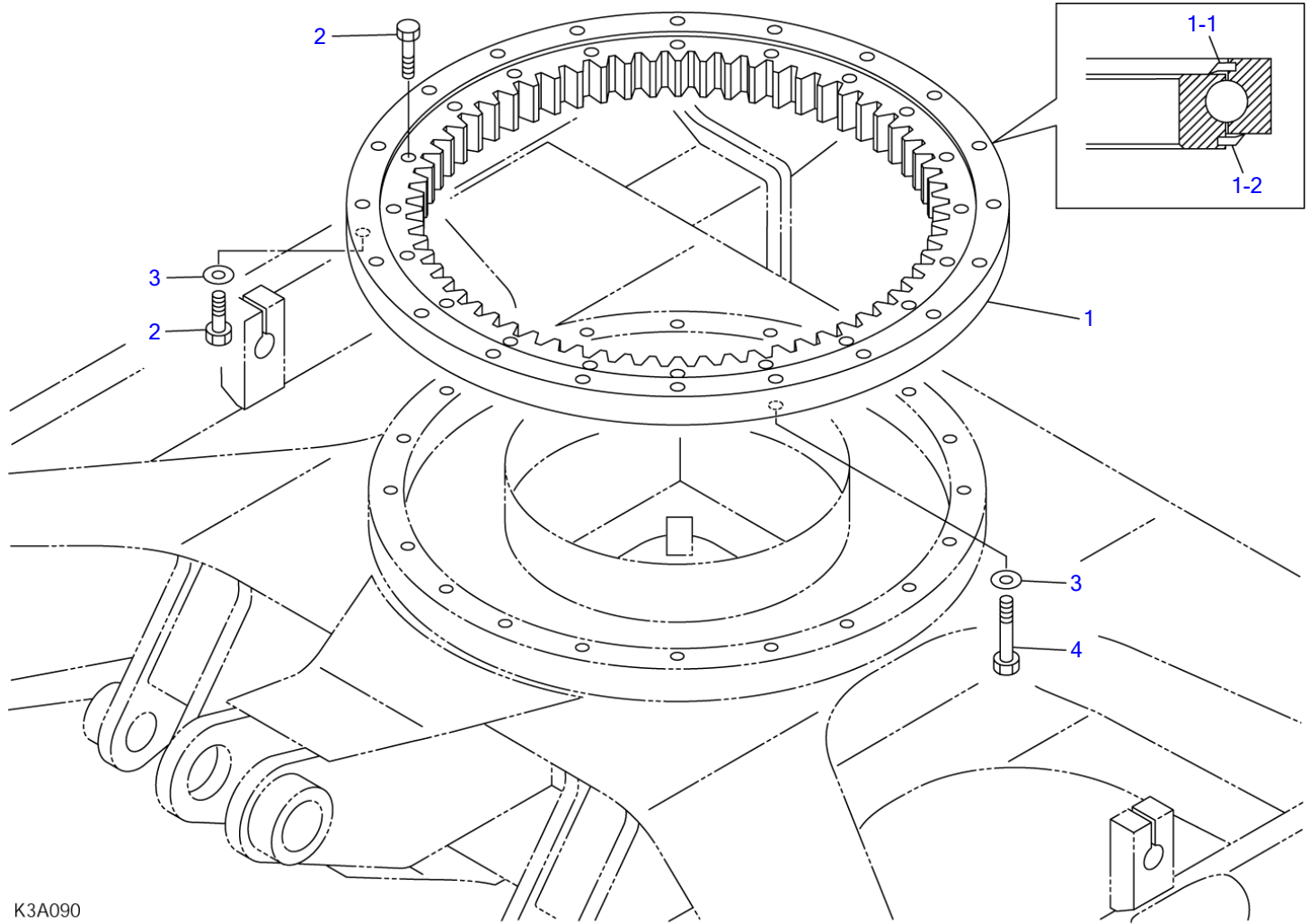
S=FREE



**TRAVEL DEVICE**

Item	Part number	Description	Q'ty	Chan.	Serial No.	Serv.	Remarks
		MOTOR ASSY, travel					X03916-06000-0
1	<b>1903124800</b>	MOTOR, travel	2				
2	<b>0261603100</b>	SPROCKET	2				
3	<b>1100051435</b>	BOLT	36				
4	<b>1515600200</b>	ADAPTOR	4				
	<b>1420010110</b>	• O-RING	1				
5	<b>1515600202</b>	ADAPTOR	4				
	<b>1420010180</b>	• O-RING	1				
	<b>J2a040</b>						

TB153FR Book No. BJ2Z004 S/N 15820004-  
SLEW BEARING



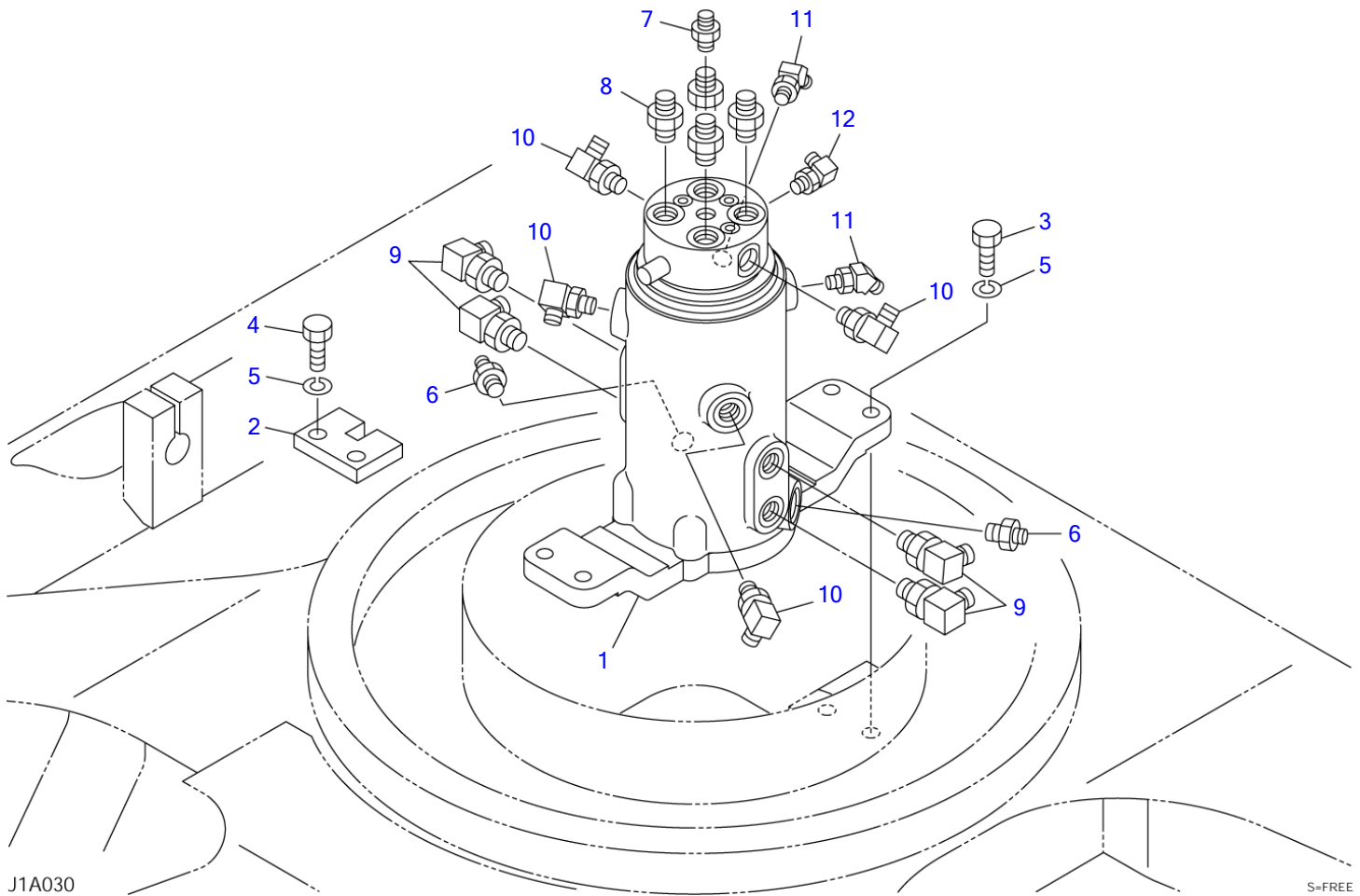
K3A090

S=FREE

**SLEW BEARING**

Item	Part number	Description	Q'ty	Chan.	Serial No.	Serv.	Remarks
		BEARING ASSY, slew					X03920-00000-1
1	<b>1913003500</b>	BEARING	1				
1-1	<b>1913003508</b>	• SEAL	1				
1-2	<b>1913003509</b>	• SEAL	1				
2	<b>1101051680</b>	BOLT	39				
3	<b>1141540016</b>	WASHER	20				
4	<b>0392000100</b>	BOLT	1				
	<b>K3a090</b>						

TB153FR Book No. BJ2Z004 S/N 15820004-  
SWIVEL JOINT & ACCESSORIES



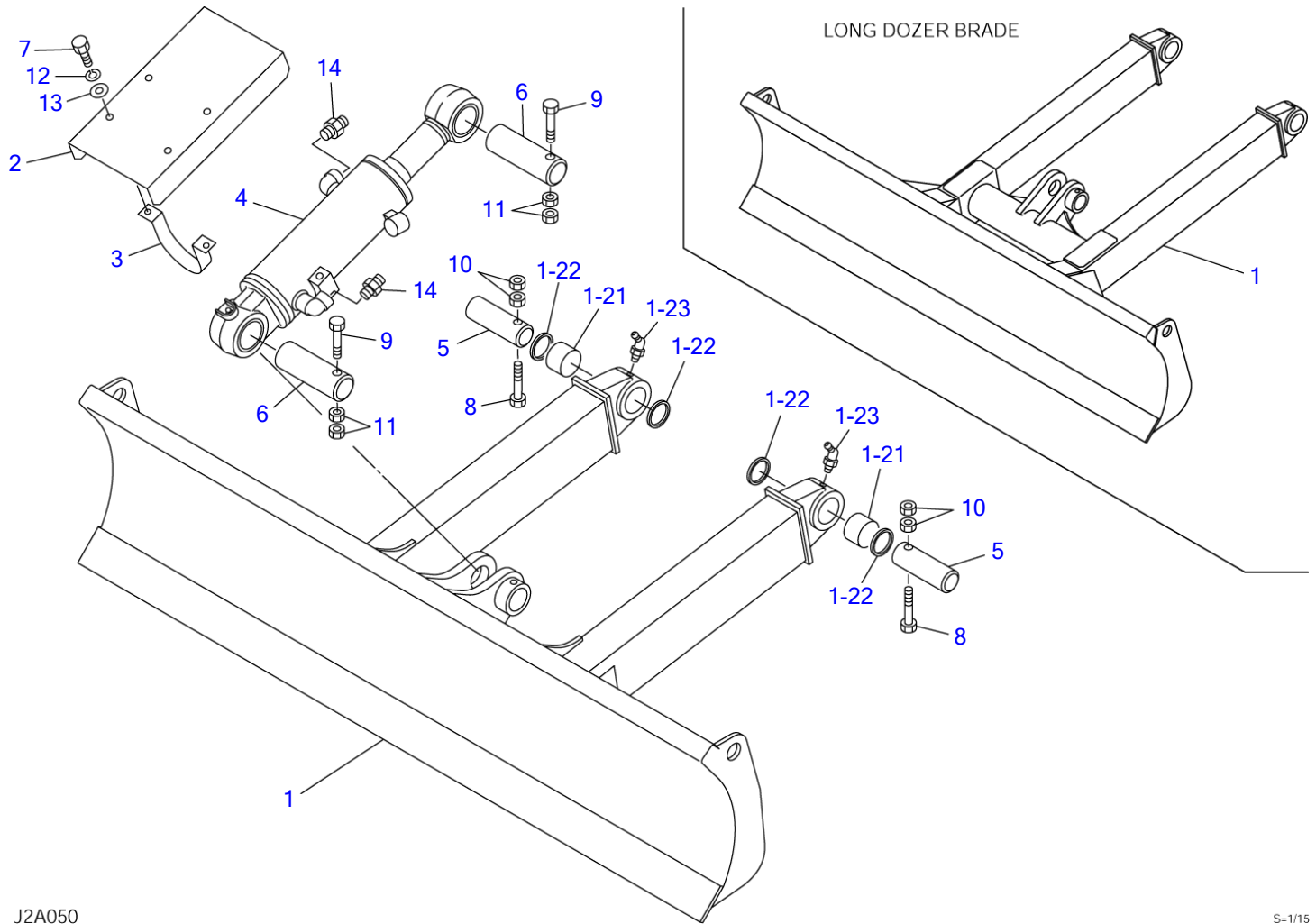
J1A030

S=FREE

**SWIVEL JOINT & ACCESSORIES**

Item	Part number	Description	Q'ty	Chan.	Serial No.	Serv.	Remarks
		JOINT ASSY, swivel					X03921-02000-1
1	1904006300	JOINT, swivel	1				
2	0442100100	STOPPER	1				
3	1101041245	BOLT	4				
4	1101041240	BOLT	2				
5	1140020012	WASHER, spring	6				
6	0007203057	NIPPLE	2				
7	1511050003	ADAPTOR	1				
8	1515600202	ADAPTOR	4				
	1420010180	• O-RING	1				
9	1515010042	ELBOW	4				
	1420010180	• O-RING	1				
10	1515010041	ELBOW	4				
	1420010140	• O-RING	1				
11	1515100110	ELBOW	2				
	1420010110	• O-RING	1				
12	1515012040	ELBOW	1				
	1420010110	• O-RING	1				
	J1a031						

TB153FR Book No. BJ2Z004 S/N 15820004-  
DOZER BLADE

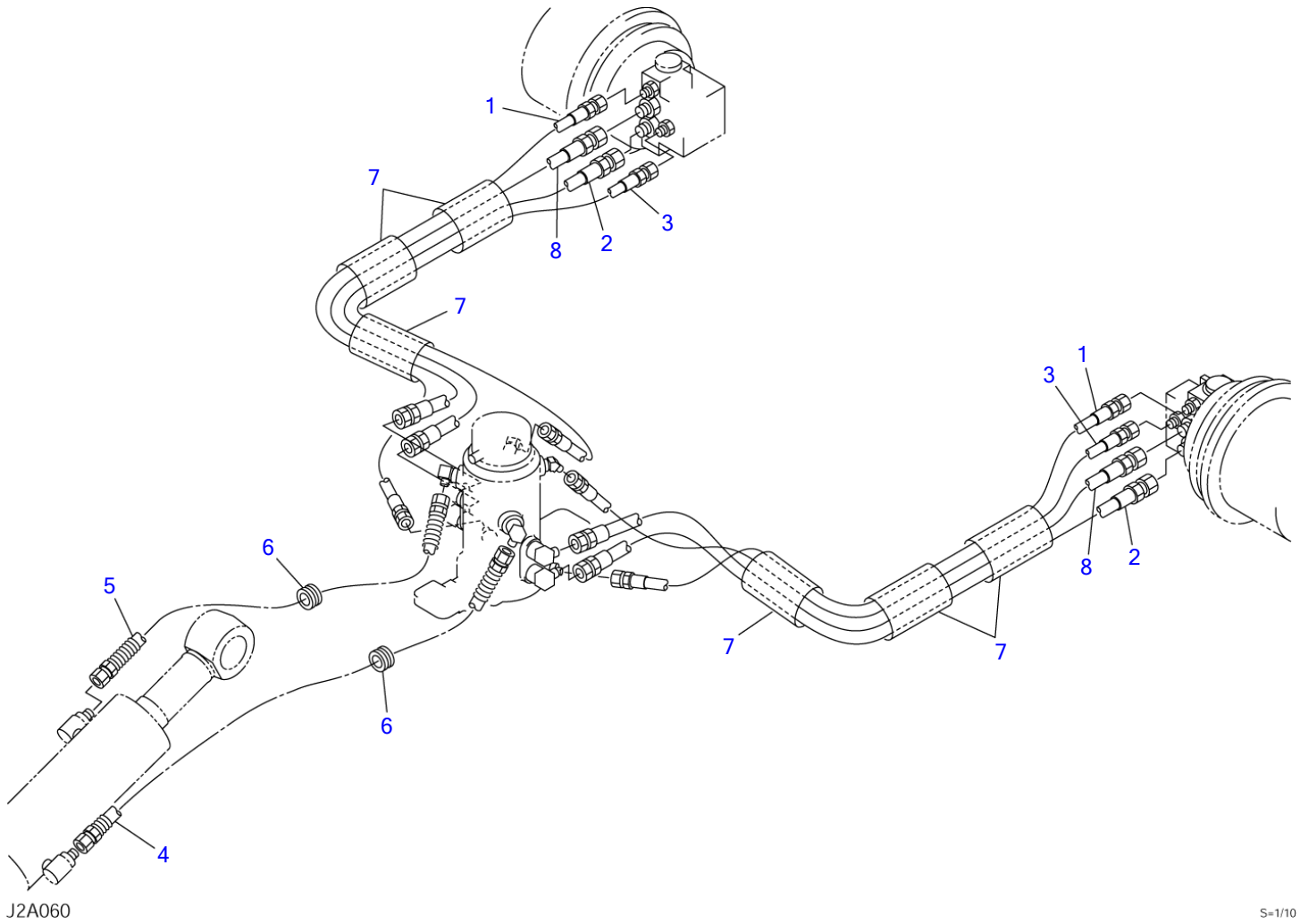


J2A050

S=1/15

**DOZER BLADE**

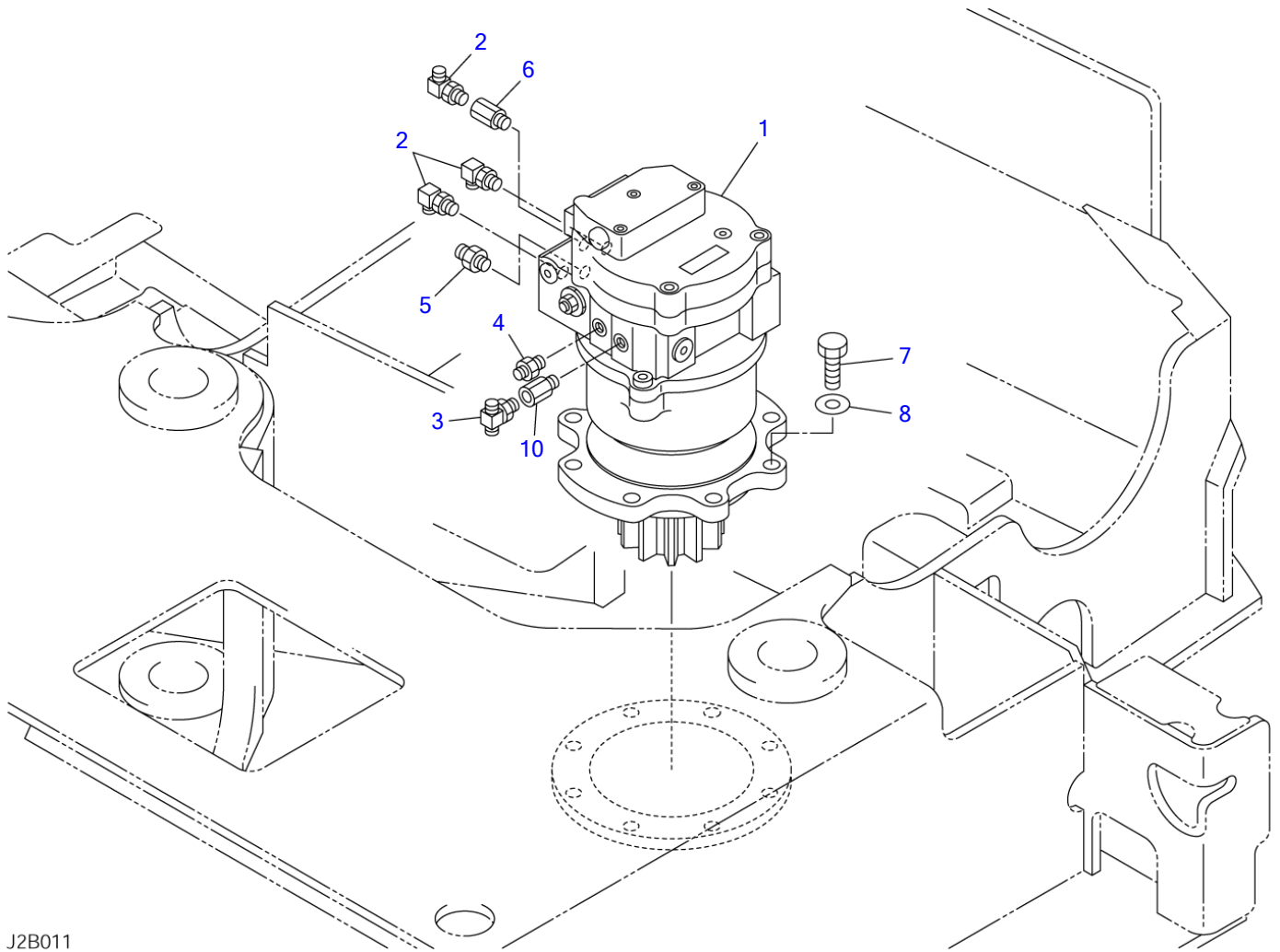
Item	Part number	Description	Q'ty	Chan.	Serial No.	Serv.	Remarks
		BLADE ASSY, dozer					X03963-11000-0
		BLADE ASSY, long dozer					X03963-11300-0
1	<b>0396311100</b>	BLADE, dozer	1				
	<b>0396311400</b>	BLADE, dozer	1				long
1-21	<b>0002200014</b>	• BUSHING	2				
1-22	<b>1432200045</b>	• SEAL, dust	4				
1-23	<b>1560001675</b>	• FITTING, grease	2				
2	<b>0396308520</b>	COVER	1				
3	<b>0396308530</b>	CLAMP	2				
4	<b>1900077100</b>	CYLINDER, dozer blade	1				
5	<b>0001604135</b>	PIN	2				
6	<b>0001606150</b>	PIN	2				
7	<b>1100041030</b>	BOLT	4				
8	<b>1103041085</b>	BOLT	2				
9	<b>1103141200</b>	BOLT	2				
10	<b>1130240010</b>	NUT	4				
11	<b>1130240012</b>	NUT	4				
12	<b>1140020010</b>	WASHER, spring	4				
13	<b>1141110010</b>	WASHER	4				
14	<b>1515600201</b>	ADAPTOR	2				
	<b>1420010140</b>	• O-RING	1				
	<b>J2a050</b>						





**PIPING; LOWER**

Item	Part number	Description	Q'ty	Chan.	Serial No.	Serv.	Remarks
		PIPING ASSY, lower					X03972-04000-2
1	<b>1801022132</b>	HOSE ASSY	2				
2	<b>1801540132</b>	HOSE ASSY	2				
3	<b>0397204030</b>	HOSE ASSY	2				18010-22140
4	<b>1801620116</b>	HOSE ASSY	1				
5	<b>1801620094</b>	HOSE ASSY	1				
6	<b>0437200100</b>	GUARD	2				
7	<b>1531350020</b>	PROTECTOR	6				sold by the meter
8	<b>0397204080</b>	HOSE ASSY	2				18010-22140
	<b>J2a060</b>						



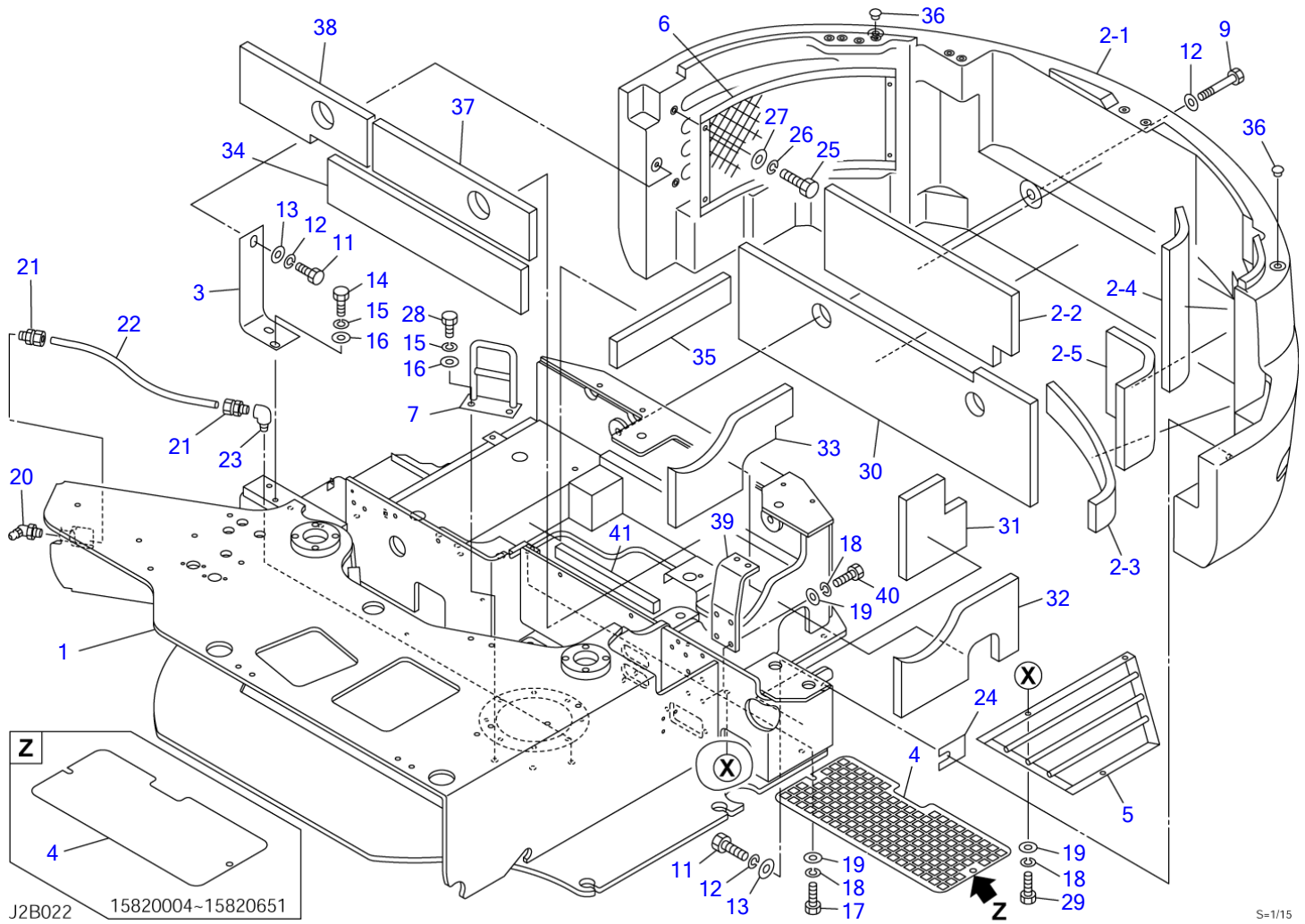
J2B011

S-177

**SLEWING DEVICE**

Item	Part number	Description	Q'ty	Chan.	Serial No.	Serv.	Remarks
		DEVICE ASSY, slewing					X03923-17600-3
1	1903125500	MOTOR, slew	1				
2	1515010131	ELBOW	3				
	1420010140	· O-RING	1				
3	1512370010	TEE	1				
	1420010110	· O-RING	1				
4	1515600200	ADAPTOR	1				
	1420010110	· O-RING	1				
5	1515600201	ADAPTOR	1				
	1420010140	· O-RING	1				
6	0007213016	BUSHING	1				
	1420010140	· O-RING	1				
7	1101041640	BOLT	8				
8	1141550016	WASHER	8				
10	1513250202	BUSHING	1				
	1420010110	· O-RING	1				
	J2b011						

TB153FR Book No. BJ2Z004 S/N 15820004-  
TURNTABLE



**BUY NOW**

**Then Instant Download  
the Complete Manual  
Thank you very much!**