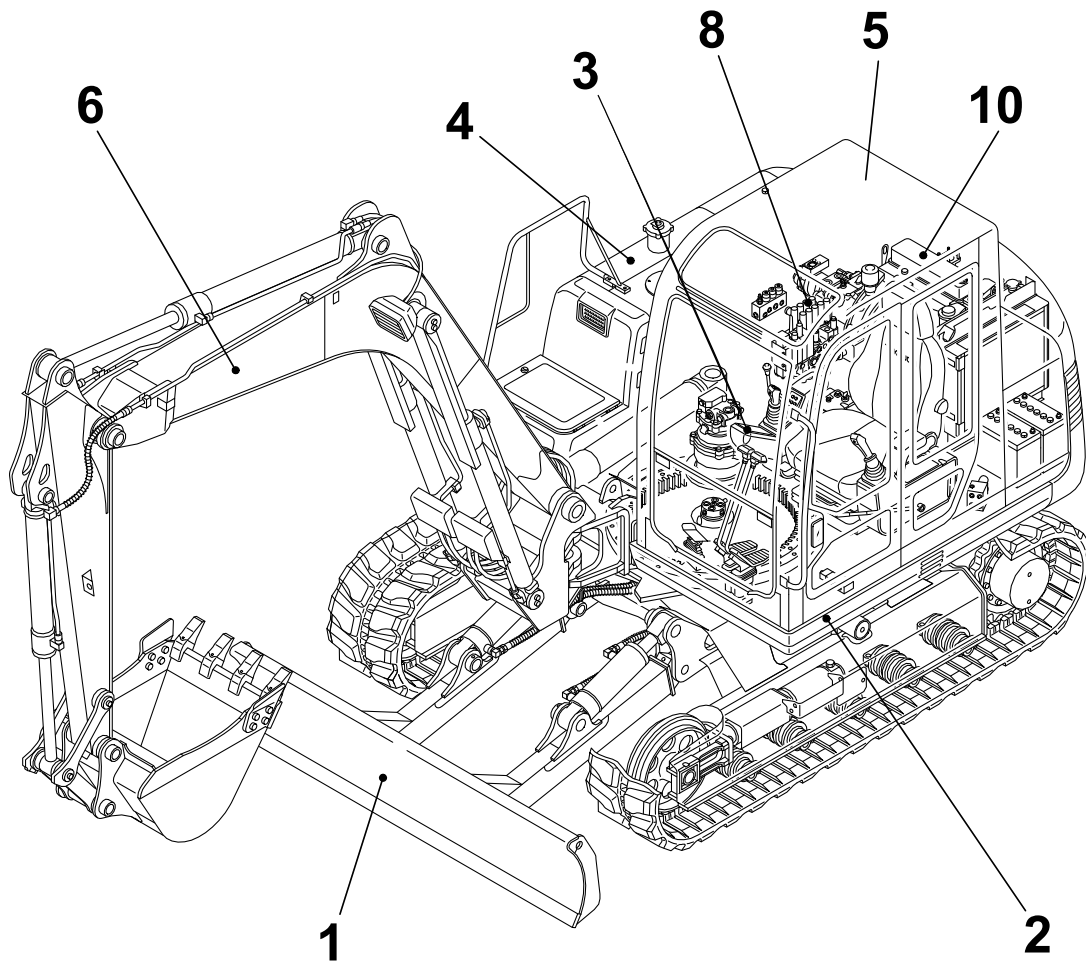


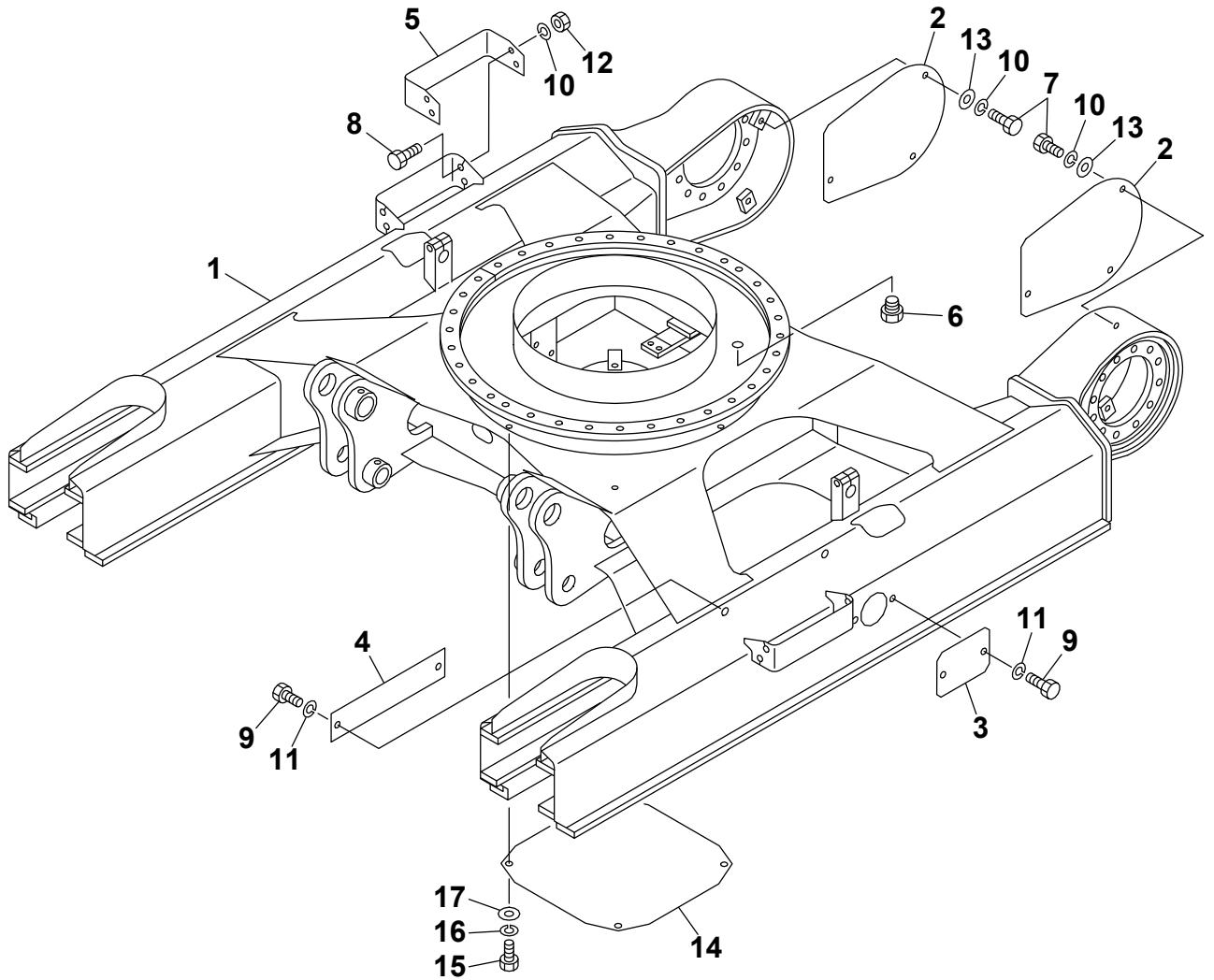
TB175

Book No.BL3Z009
Serial No.17510003-



TAKEUCHI

TB175 Book No. BL3Z009 S/N 17510003-
LOWER FRAME



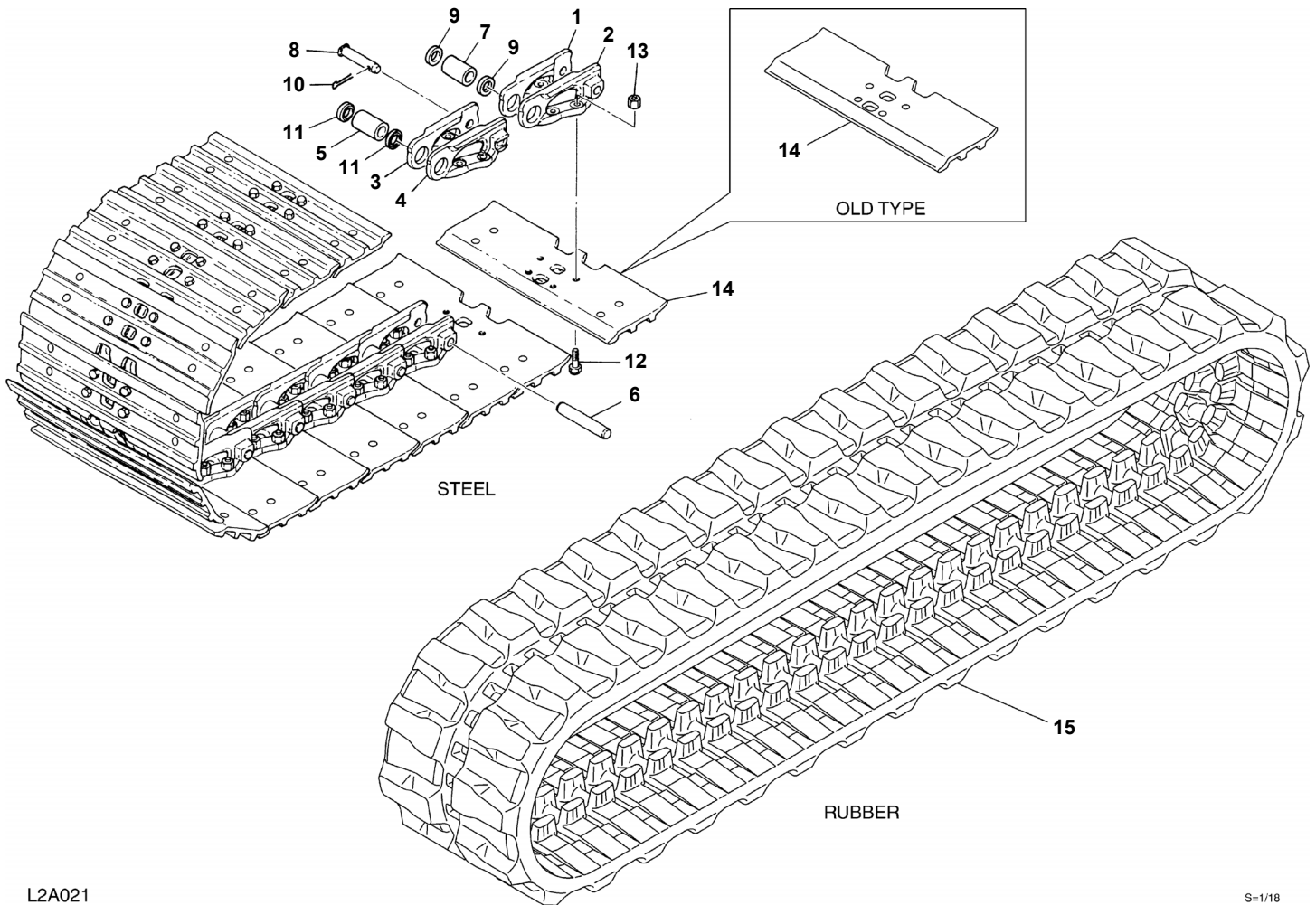
L3A010

S=1/18

LOWER FRAME

Item	Part number	Description	Q'ty	Chan.	Serial No.	Serv.	Remarks
		FRAME ASSY, lower					X05610-27000-0
		FRAME ASSY, lower (550mm shoe)					X05610-28000-0
1	X *****_*****	FRAME	1				
2	05610-27020	COVER	2				
3	05610-17400	COVER	2				
4	05610-19400	COVER	2				
5	05610-19500	STEP	2				550mm shoe
6	15017-10010	PLUG	1				
7	11000-41020	BOLT	6				
8	11000-41025	BOLT	8				550mm shoe
9	11000-40816	BOLT	8				
10	11400-20010	WASHER, spring	6				
	11400-20010	WASHER, spring	14				550mm shoe
11	11400-20008	WASHER, spring	8				
12	11300-40010	NUT	8				550mm shoe
13	11411-10010	WASHER	6				
14	05610-21010	COVER	1				
15	11000-41225	BOLT	4				
16	11400-20012	WASHER, spring	4				
17	11411-10012	WASHER	4				
	L3a010						

TB175 Book No. BL3Z009 S/N 17510003-
CRAWLER BELT



L2A021

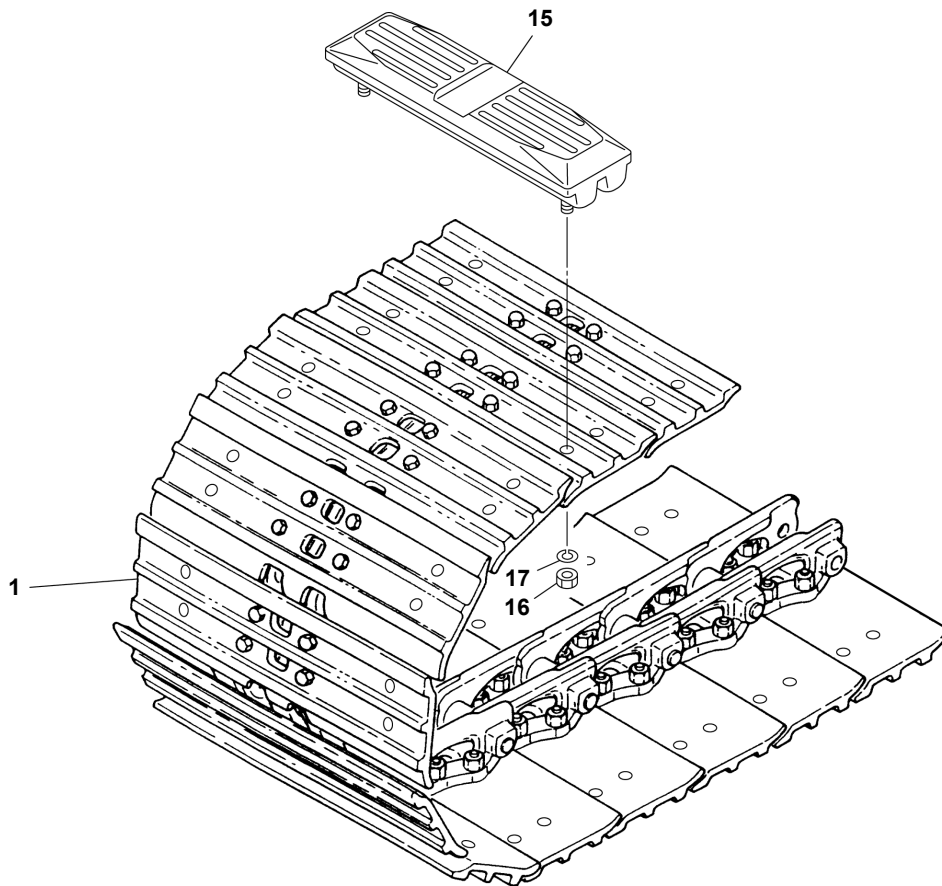
S-1/18

CRAWLER BELT

Item	Part number	Description	Q'ty	Chan.	Serial No.	Serv.	Remarks
0	19140-87100	BELT, steel crawler	2		old type		450mm shoe
	19140-87300	BELT, steel crawler	2		new type		450mm shoe
	19140-88100	BELT, steel crawler	2				550mm shoe
0-1	19140-87199	· LINK ASSY	2				
1	19140-87001	· · LINK(R.H.)	38				
2	19140-87002	· · LINK(L.H.)	38				
3	19140-87003	· · LINK, master(R.H.)	1				
4	19140-87004	· · LINK, master(L.H.)	1				
5	19140-87005	· · BUSHING	38				
6	19140-87006	· · PIN, track	38				
7	19140-87012	· · BUSHING	1				
8	19140-87007	· · PIN, master	1				
9	19140-87013	· · COLLAR	2				
10	19140-87014	· · PIN, split	1				
11	19140-87015	· · SEAL	76				
12	19140-87009	· BOLT	156				
13	19140-87010	· NUT	156				
14	19140-87011	· PLATE	39		old type		450mm shoe
	19140-87311	· PLATE	39		new type		450mm shoe
	19140-88011	· PLATE	39				550mm shoe
15	19140-86300	BELT, rubber crawler	2				
	19140-86410	BELT, rubber crawler	2	(H)			

L3a022

TB175 Book No. BL3Z009 S/N 17510003-
CRAWLER BELT (with rubber pads)



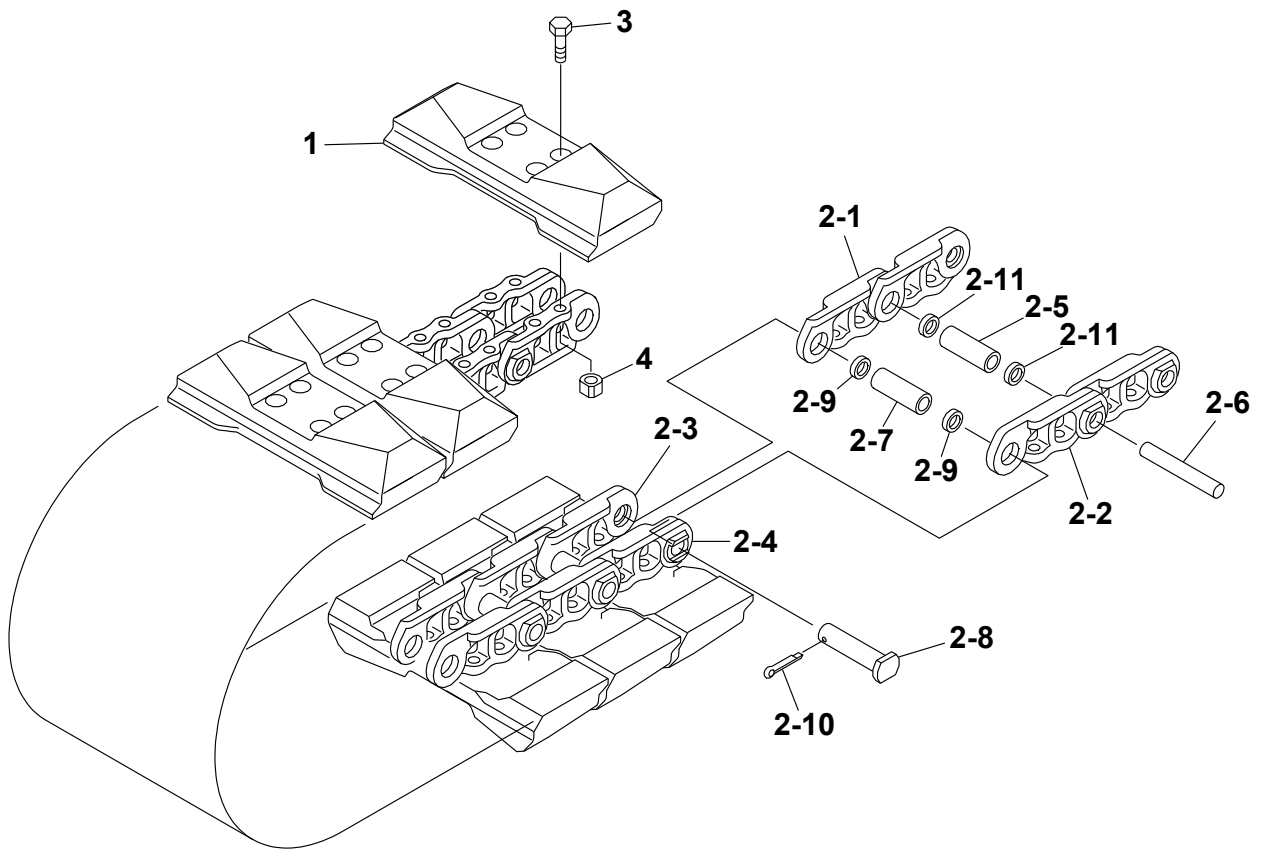
L4A082

S-1/12

CRAWLER BELT (with rubber pads)

Item	Part number	Description	Q'ty	Chan.	Serial No.	Serv.	Remarks
0	19140-87400	BELT ASSY, steel crawler (with rubber pads)	2				X19140-87400-0
1	19140-87300	· BELT, steel crawler	1				
15	19144-00600	· PAD, rubber	39				
16	11300-50014	· · NUT	4				
17	11400-10014	· · WASHER, spring	4				
	L4a083						

TB175 Book No. BL3Z009 S/N 17510003-
CRAWLER BELT (segment rubber crawler)



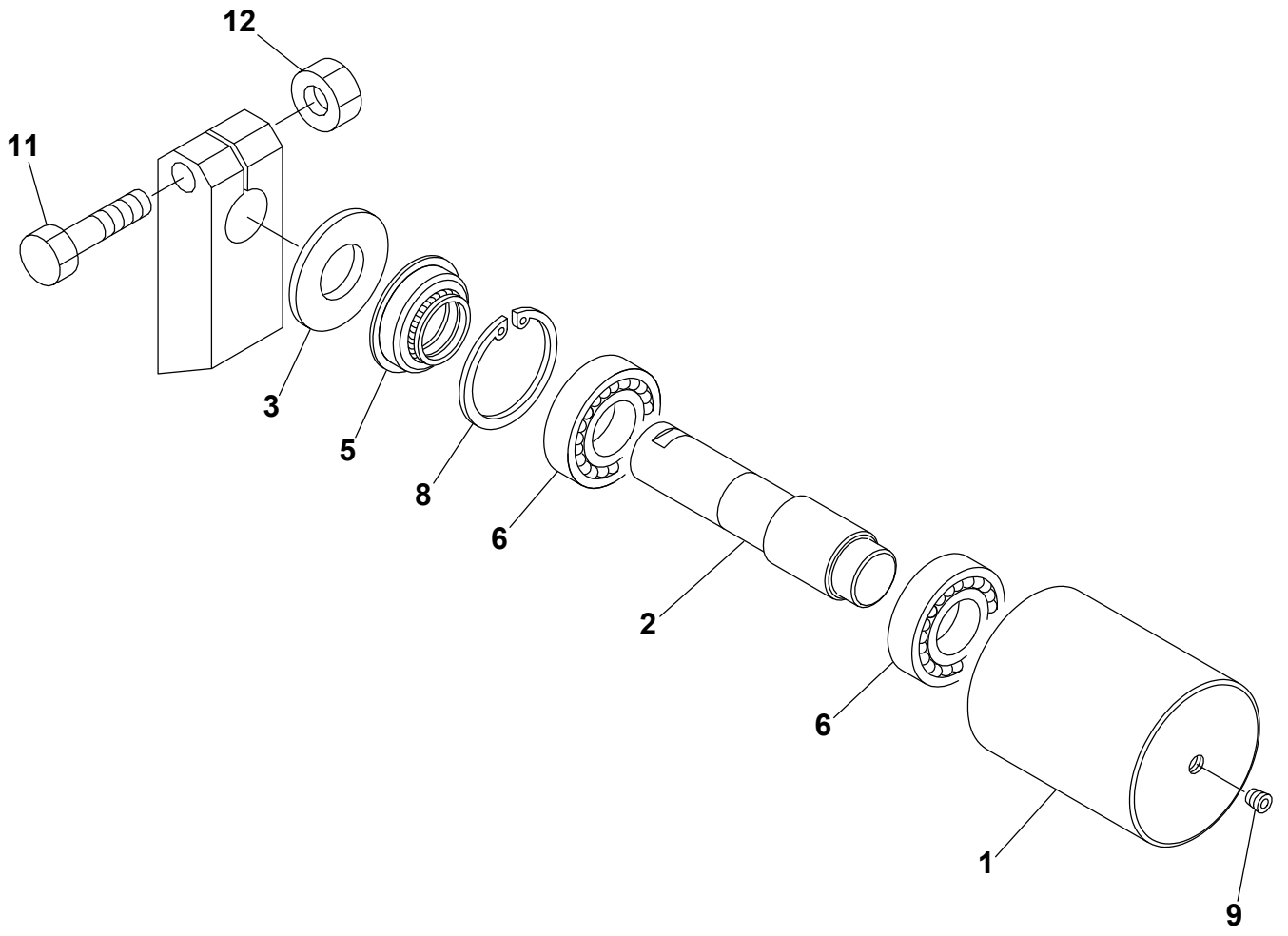
L3A130

S=1/12

CRAWLER BELT (segment rubber crawler)

Item	Part number	Description	Q'ty	Chan.	Serial No.	Serv.	Remarks
0	05611-00000	BELT, segment rubber crawler	2			M	X05611-00000-0
1	19144-01100	· PAD, rubber	39			M	
2	19140-87199	· LINK ASSY	2			M	
2-1	19140-87001	· · LINK(R.H.)	38			M	
2-2	19140-87002	· · LINK(L.H.)	38			M	
2-3	19140-87003	· · LINK, master(R.H.)	1			M	
2-4	19140-87004	· · LINK, master(L.H.)	1			M	
2-5	19140-87005	· · BUSHING	38			M	
2-6	19140-87006	· · PIN, track	38			M	
2-7	19140-87012	· · BUSHING	1			M	
2-8	19140-87007	· · PIN, master	1			M	
2-9	19140-87013	· · COLLAR	2			M	
2-10	19140-87014	· · PIN, split	1			M	
2-11	19140-87015	· · SEAL	76			M	
3	19140-87009	· BOLT	156				
4	19140-87010	· NUT	156				
	L3a130						

TB175 Book No. BL3Z009 S/N 17510003-
CARRIER ROLLER



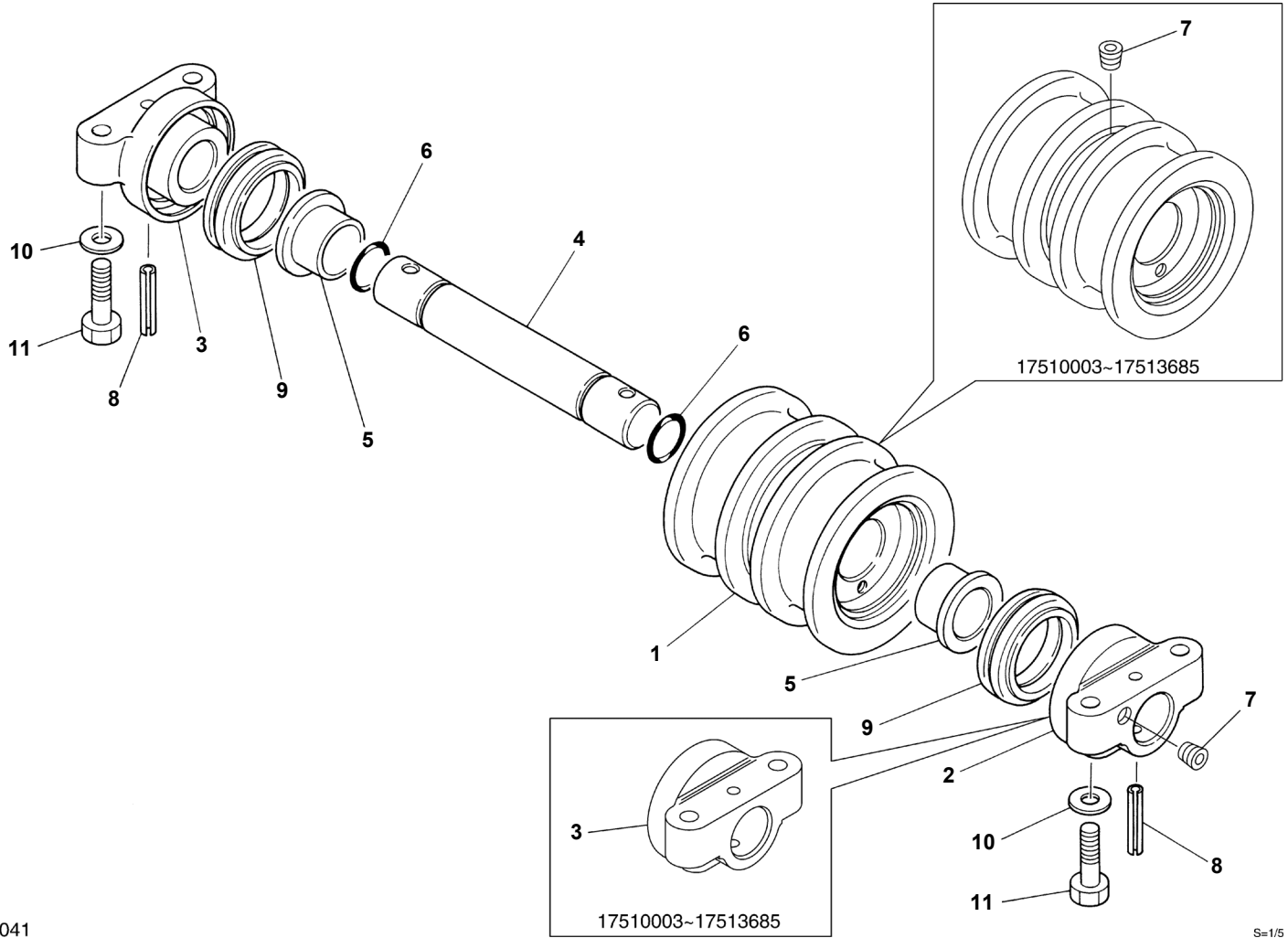
L3A030

S=1/4

CARRIER ROLLER

Item	Part number	Description	Q'ty	Chan.	Serial No.	Serv.	Remarks
		ROLLER ASSY, carrier					X05612-04000-1
0-1	05612-04080	ROLLE SUB ASSY	2				
1	05612-02100	· ROLLER	1				
2	05612-04100	· SHAFT	1				
3	05612-02200	· COVER	1				
5	14312-03572	· SEAL	1				
6	13000-06207	· BEARING	2				
8	12210-00072	· RING, snap	1				
9	15018-10001	· PLUG	1				
11	11010-41675	BOLT	2				
12	11305-40016	NUT	2				
	L3a031						

TB175 Book No. BL3Z009 S/N 17510003-
TRACK ROLLER



L3A041

S=1/5

TRACK ROLLER

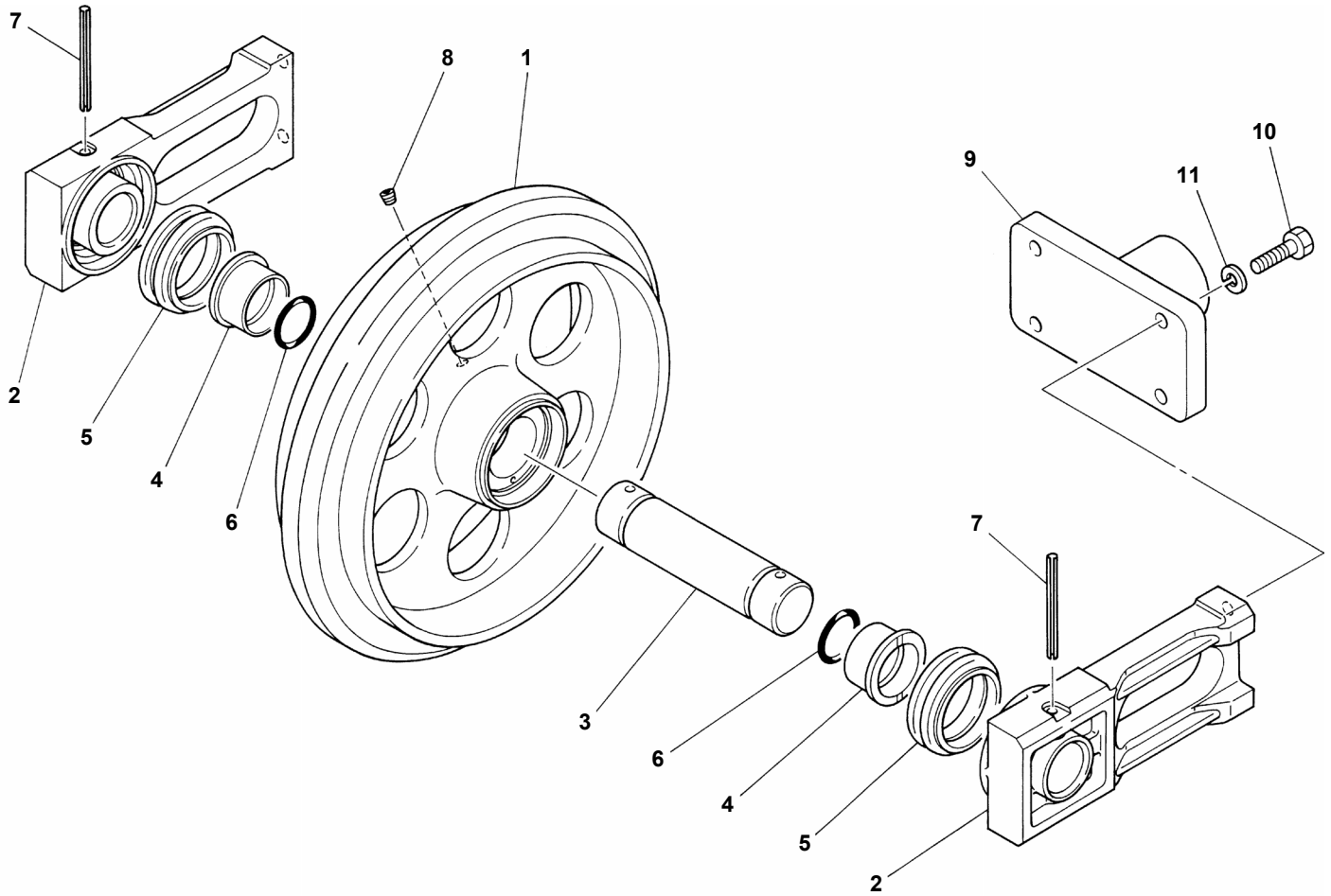
Item	Part number	Description	Q'ty	Chan.	Serial No.	Serv.	Remarks
		ROLLER ASSY, track					X05613-07000-5
0-1	05613-04100	ROLLER SUB ASSY, track	10		17510003~17510098		
	05613-07100	ROLLER SUB ASSY, track	10	(H)	17510099~		
1	05613-04200	· ROLLER	1	(L)A	17510003~17510098		
	05613-07200	· ROLLER	1	(H)a	17510099~		
2	05613-07120	· COVER	1		17513686~		
3	05613-04300	· COVER	2		17510003~17513685		
	05613-04300	· COVER	1		17513686~		
4	05613-04400	· SHAFT	1				
5	05613-03500	· BUSHING	2				
6	14201-00350	· O-RING	2				
7	15018-10001	· PLUG	1	(L)A	17510003~17510098		
	15018-10002	· PLUG	1	(H)a	17510099~17513685		
	15018-30001	· PLUG	1		17513686~		
8	12130-01055	· PIN, spring	2				
9	14325-00660	· SEAL, floating	2				
10	11415-40012	WASHER	40				
11	11010-41250	BOLT	40				

<<NOTE>>

SET "A" is interchangeable with SET "a".

L3a043

TB175 Book No. BL3Z009 S/N 17510003-
FRONT IDLER



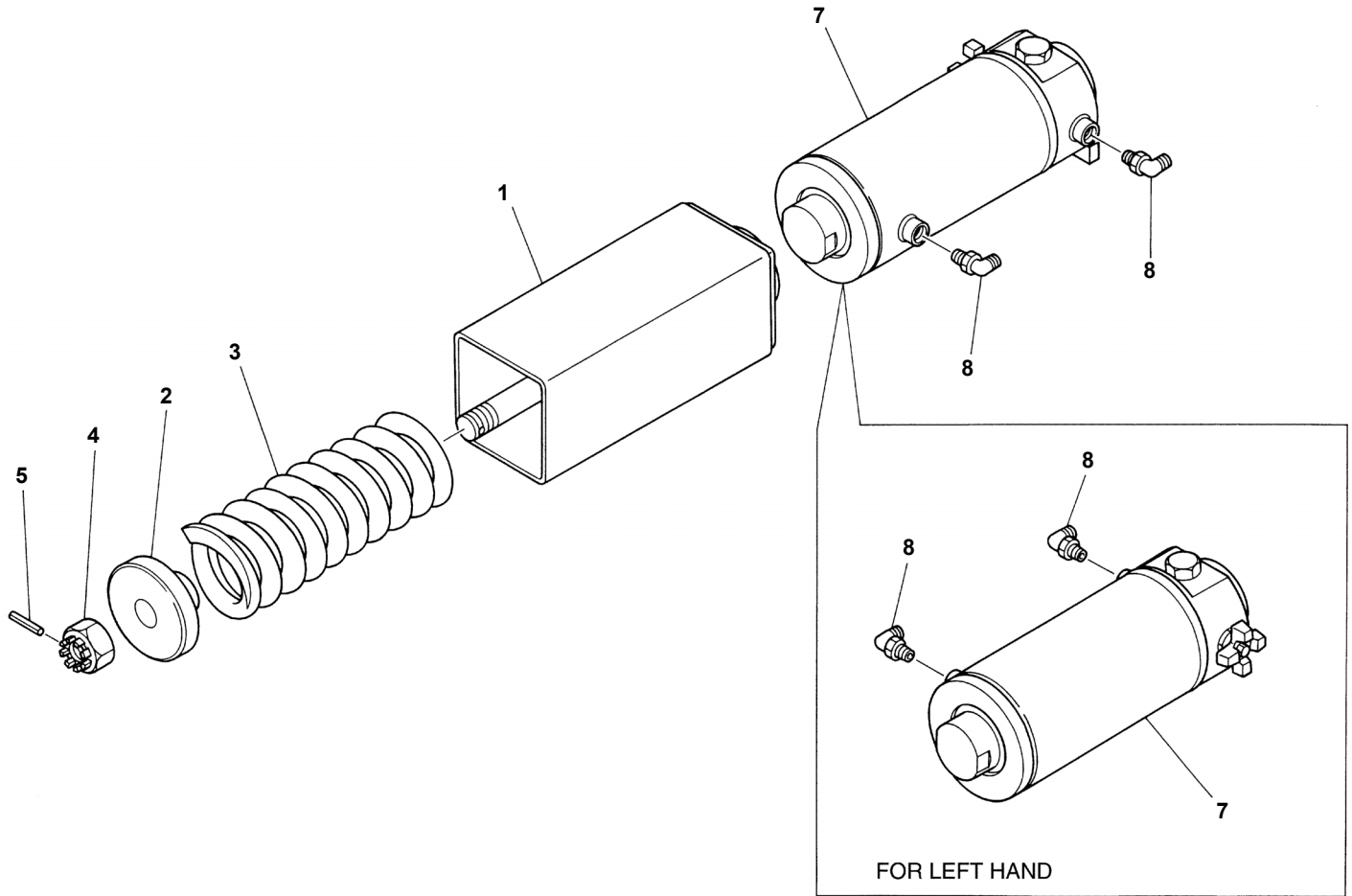
L2A050

S=1/7

FRONT IDLER

Item	Part number	Description	Q'ty	Chan.	Serial No.	Serv.	Remarks
		IDLER ASSY, front					X05614-01000-1
0-1	05614-00600	IDLER SUB ASSY, front	2				
1	05614-00100	· IDLER	1				
2	05614-00200	· BLOCK	2				
3	05614-00300	· SHAFT	1				
4	05614-00400	· BUSHING	2				
5	14325-00800	· SEAL, floating	2				
6	14201-00500	· O-RING	2				
7	12131-01020	· PIN, spring	2				
8	15018-10001	· PLUG	1				
9	05614-01500	PLATE	2				
10	11010-41450	BOLT	8				
11	11400-20014	WASHER, spring	8				
	L3a051						

TB175 Book No. BL3Z009 S/N 17510003-
TRACK ADJUSTER



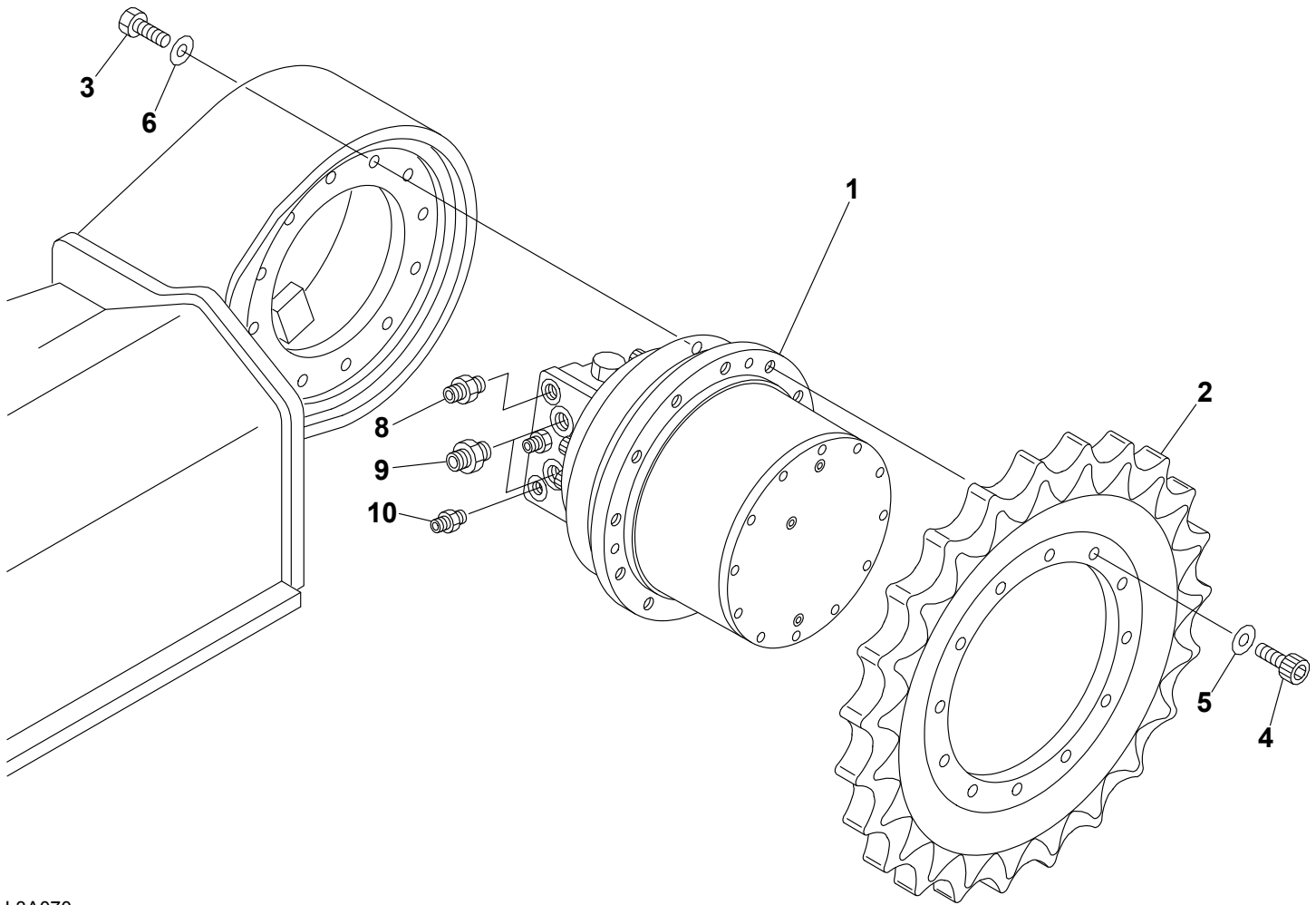
L3A060

S=1/7

TRACK ADJUSTER

Item	Part number	Description	Q'ty	Chan.	Serial No.	Serv.	Remarks
		SPRING ASSY (R.H.)					X05615-03000-2
		SPRING ASSY (L.H.)					X05615-03600-2
0-1	05615-03100	SPRING ASSY	2				
1	05615-03200	· ROD	1				
2	03915-06350	· PLATE	1				
3	00070-00077	· SPRING	1				
4	11325-30027	· NUT	1				
5	12130-00540	· PIN, spring	1				
0-2	05615-03300	CYLINDER ASSY (R.H.)	1				
	05615-03400	CYLINDER ASSY (L.H.)	1				
7	19000-81000	· CYLINDER, tensioning (R.H.)	1				
	19000-81100	· CYLINDER, tensioning (L.H.)	1				
8	15150-12040	· ELBOW	2				
	14200-10110	· · O-RING	1				
	L3a062						

TB175 Book No. BL3Z009 S/N 17510003-
TRAVEL DEVICE



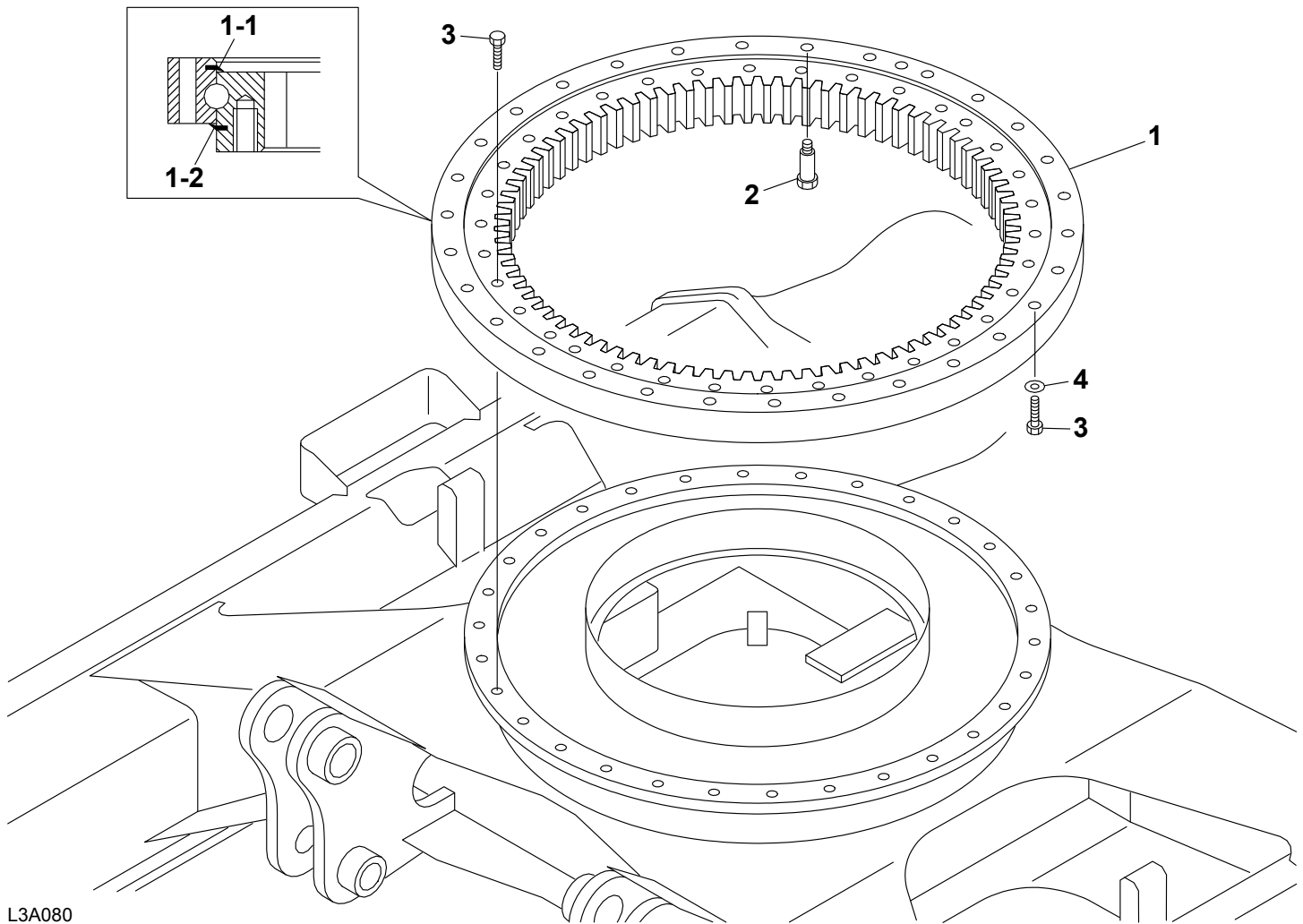
L3A070

S=1/7

TRAVEL DEVICE

Item	Part number	Description	Q'ty	Chan.	Serial No.	Serv.	Remarks
		MOTOR ASSY, travel					X05616-16000-1
1	19031-20800	MOTOR, travel	2				
2	05616-15100	SPROCKET	2				
3	11000-41640	BOLT	24				
4	11100-51440	SCREW, cap	24				
5	11415-40014	WASHER	24				
6	11415-40016	WASHER	24				
8	15156-00201	ADAPTOR	2				
	14200-10140	· O-RING	1				
9	15156-00202	ADAPTOR	4				
	14200-10180	· O-RING	1				
10	15156-00576	ADAPTOR	2				
	14200-10140	· O-RING	1				
	L3a071						

TB175 Book No. BL3Z009 S/N 17510003-
SLEW BEARING



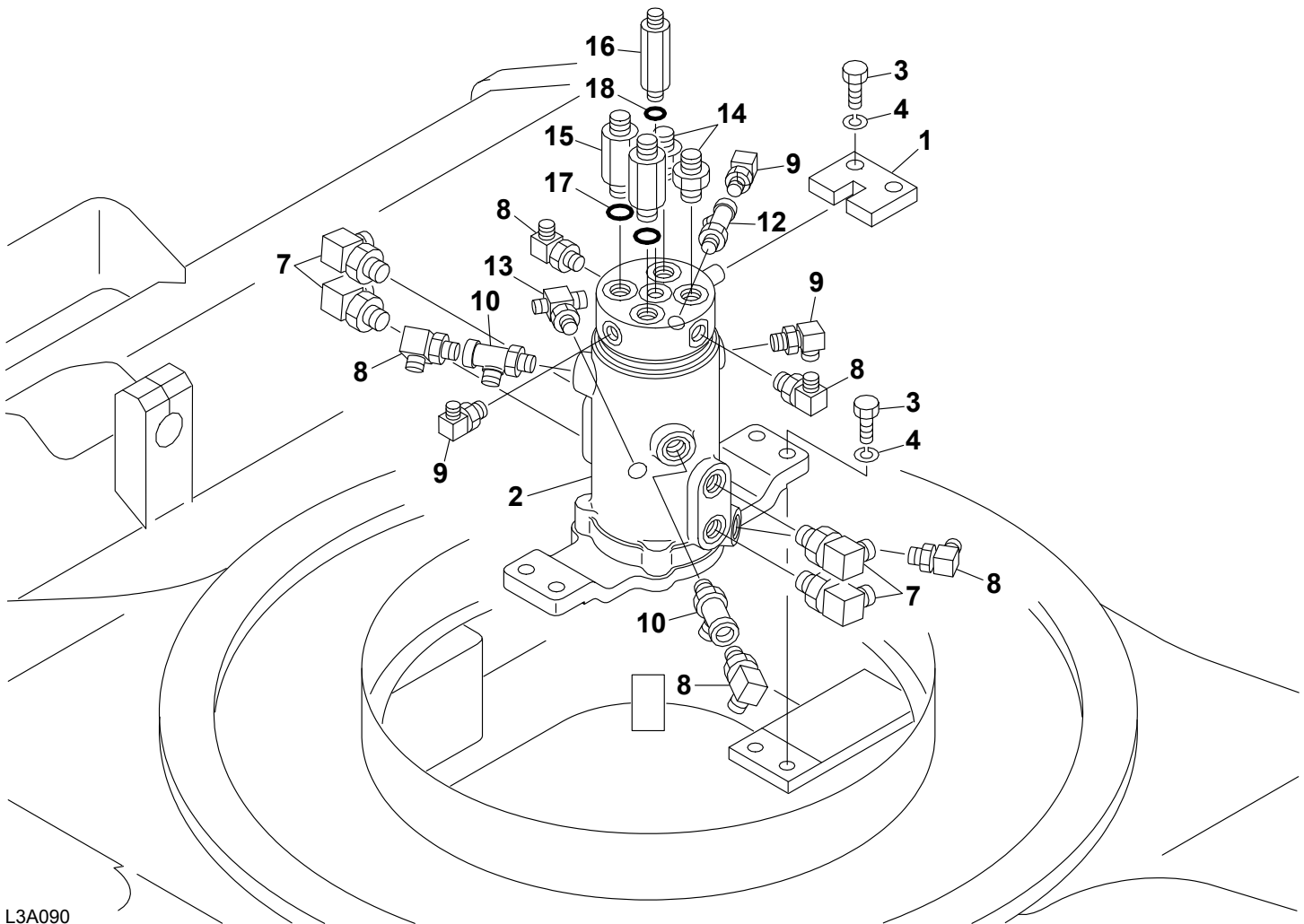
L3A080

S=1/10

SLEW BEARING

Item	Part number	Description	Q'ty	Chan.	Serial No.	Serv.	Remarks
		BEARING ASSY, slew					X05620-16000-3
1	19130-04650	BEARING	1	(L)	17510003~17515754		
	19130-04950	BEARING	1	(H)	17515755~		
1-1	19130-04658	· SEAL	1				
1-2	19130-04659	· SEAL	1				
2	05620-16100	BOLT	1				
3	11010-41685	BOLT	63				
4	11415-50016	WASHER	29				
	L3a081						

TB175 Book No. BL3Z009 S/N 17510003-
SWIVEL JOINT & ACCESSORIES



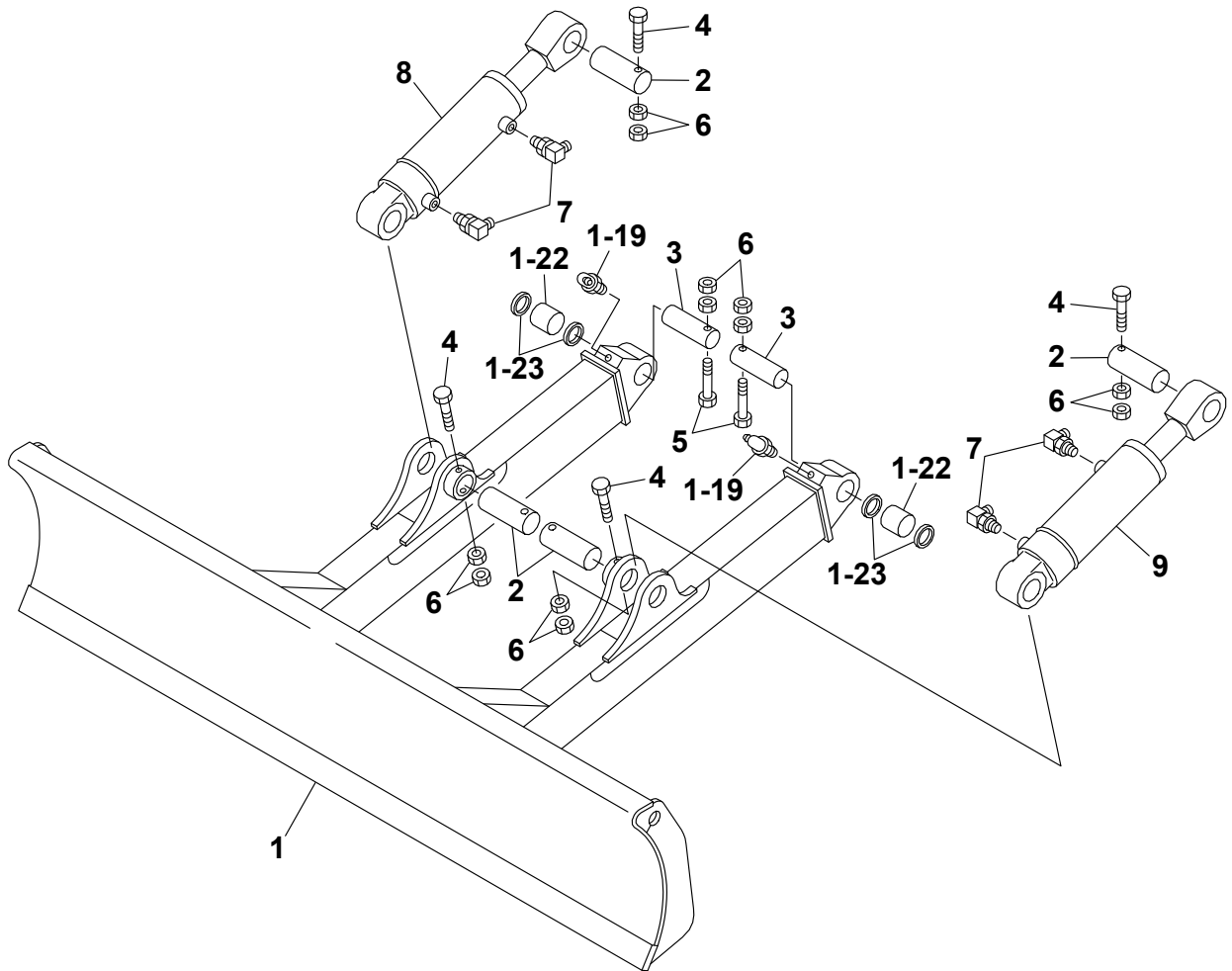
L3A090

S=1/6

SWIVEL JOINT & ACCESSORIES

Item	Part number	Description	Q'ty	Chan.	Serial No.	Serv.	Remarks
		JOINT ASSY, swivel					X05621-07000-2
1	05621-00100	COLLAR	1				
2	19040-08000	JOINT, swivel	1				
3	11010-41440	BOLT	6				
4	11400-20014	WASHER, spring	6				
7	15150-10042	ELBOW	4				
	14200-10180	· O-RING	1				
8	15150-10041	ELBOW	5				
	14200-10140	· O-RING	1				
9	15150-12040	ELBOW	3				
	14200-10110	· O-RING	1				
10	15123-40011	ELBOW	2				
	14200-10140	· O-RING	1				
12	15123-40001	ELBOW	1				
	14200-10110	· O-RING	1				
13	15123-74003	NIPPLE	1				
	14200-10140	· O-RING	1				
14	15156-00202	ADAPTOR	2				
	14200-10180	· O-RING	1				
15	00072-03006	ADAPTOR	2				
16	00072-03027	ADAPTOR	1				
17	14200-10180	O-RING	2				
18	14200-10140	O-RING	1				
	L3a091						

TB175 Book No. BL3Z009 S/N 17510003-
DOZER BLADE



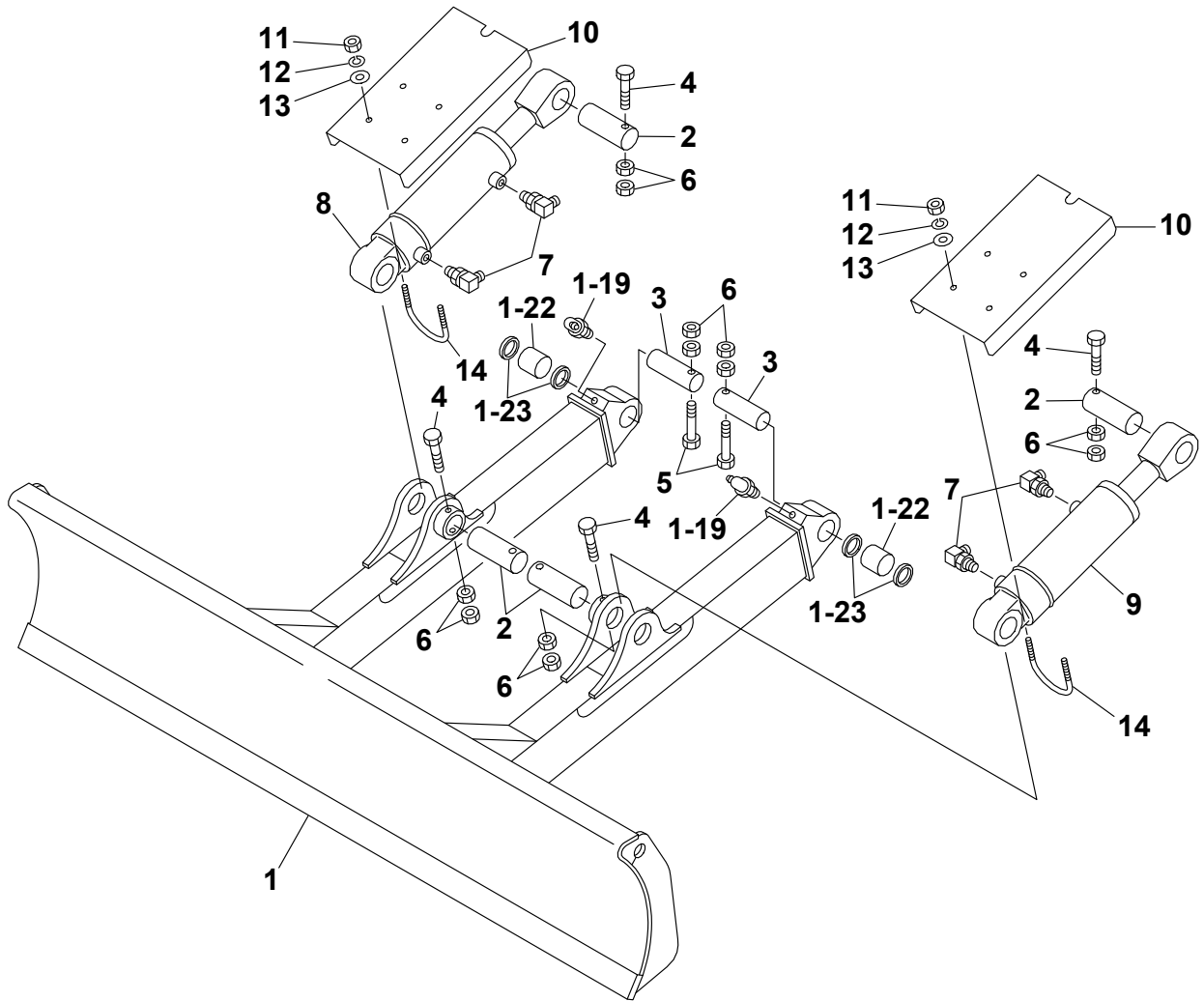
L3A101

S=1/18

DOZER BLADE							
Item	Part number	Description	Q'ty	Chan.	Serial No.	Serv.	Remarks
		BLADE ASSY, dozer					X05663-23000-2
		BLADE ASSY, wide dozer					X05663-24000-2
1	05663-20100	BLADE SUB ASSY, dozer	1				2150mm wide
	05663-21100	BLADE SUB ASSY, wide dozer	1				2250mm wide
1-19	15600-01675	· FITTING, grease	2				
1-22	00022-00016	· BUSHING	2				
1-23	14322-00050	· SEAL, dust	4				
2	00016-07160	PIN	4				
3	00016-05160	PIN	2				
4	11031-41205	BOLT	4				
5	11030-41295	BOLT	2				
6	11302-40012	NUT	12				
7	15150-10041	ELBOW	4				
	14200-10140	· O-RING	1				
8	19000-79400	CYLINDER, dozer blade (R.H.)	1		17510003~17512104		
	19000-91200	CYLINDER, dozer blade (R.H.)	1	(H)	17512105~17516302		KYB
	19001-00900	CYLINDER, dozer blade (R.H.)	1	(H)	17516303~17516307	M	MITSUO
	19000-91200	CYLINDER, dozer blade (R.H.)	1		17516308~17516324		KYB
	19001-00900	CYLINDER, dozer blade (R.H.)	1	(H)	17516325~		MITSUO
9	19000-79500	CYLINDER, dozer blade (L.H.)	1		17510003~17512104		
	19000-92100	CYLINDER, dozer blade (L.H.)	1	(H)	17512105~17516302		KYB
	19001-01000	CYLINDER, dozer blade (L.H.)	1	(H)	17516303~17516307	M	MITSUO
	19000-92100	CYLINDER, dozer blade (L.H.)	1		17516308~17516324		KYB
	19001-01000	CYLINDER, dozer blade (L.H.)	1	(H)	17516325~		MITSUO

L3a103

TB175 Book No. BL3Z009 S/N 17510003-
DOZER BLADE (for China; 17515468-)

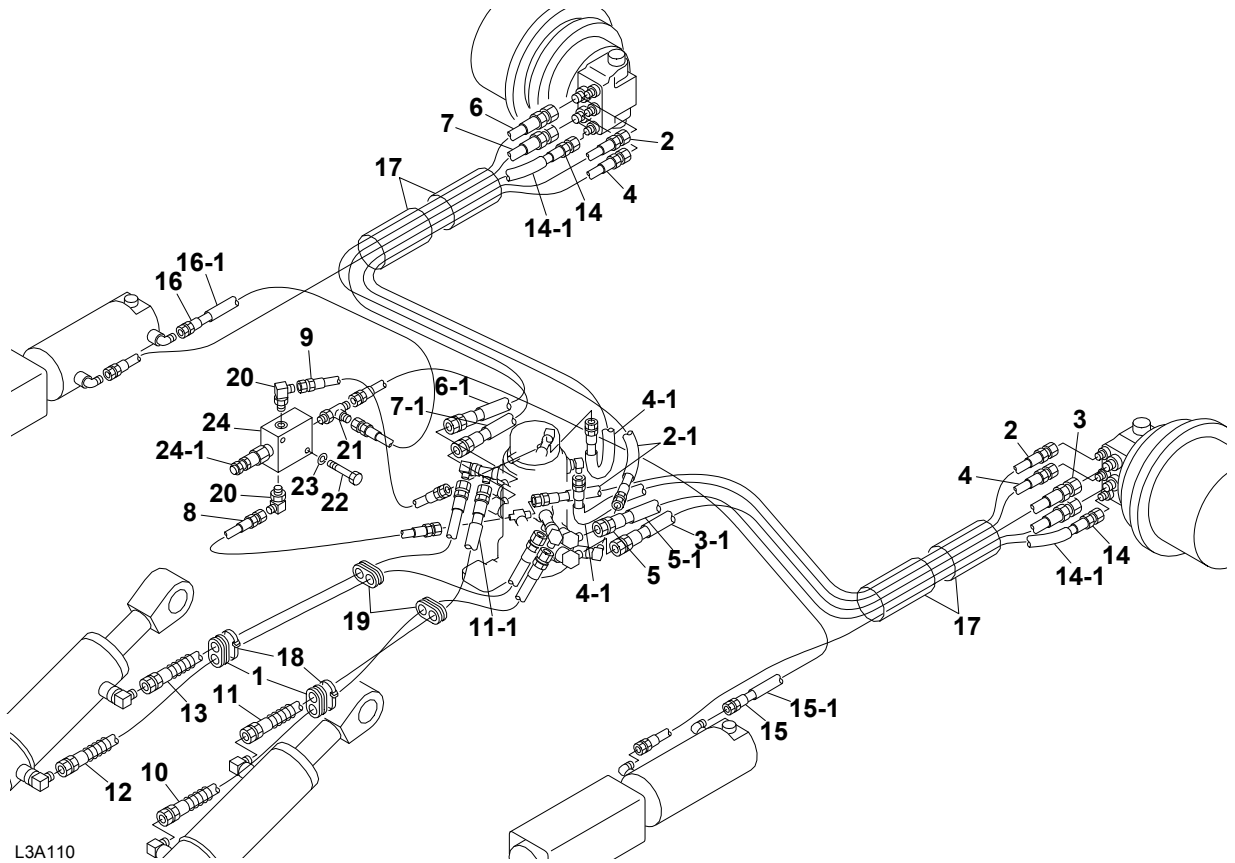


L3A121

S=1/18

DOZER BLADE (for China; 17515468-)

Item	Part number	Description	Q'ty	Chan.	Serial No.	Serv.	Remarks
		BLADE ASSY, dozer					X05663-27500-2
		BLADE ASSY, wide dozer					X05663-27000-2
1	05663-20100	BLADE SUB ASSY, dozer	1				2150mm wide
	05663-21100	BLADE SUB ASSY, wide dozer	1				2250mm wide
1-19	15600-01675	· FITTING, grease	2				
1-22	00022-00016	· BUSHING	2				
1-23	14322-00050	· SEAL, dust	4				
2	00016-07160	PIN	4				
3	00016-05160	PIN	2				
4	11031-41205	BOLT	4				
5	11030-41295	BOLT	2				
6	11302-40012	NUT	12				
7	15150-10041	ELBOW	4				
	14200-10140	· O-RING	1				
8	19000-91200	CYLINDER, dozer blade (R.H.)	1		17515468~17516302		KYB
	19001-00900	CYLINDER, dozer blade (R.H.)	1	(H)	17516303~17516307	M	MITSUO
	19000-91200	CYLINDER, dozer blade (R.H.)	1		17516308~17516324		KYB
	19001-00900	CYLINDER, dozer blade (R.H.)	1	(H)	17516325~		MITSUO
9	19000-92100	CYLINDER, dozer blade (L.H.)	1		17515468~17516302		KYB
	19001-01000	CYLINDER, dozer blade (L.H.)	1	(H)	17516303~17516307	M	MITSUO
	19000-92100	CYLINDER, dozer blade (L.H.)	1		17516308~17516324		KYB
	19001-01000	CYLINDER, dozer blade (L.H.)	1	(H)	17516325~		MITSUO
10	05663-27010	COVER	2				
11	11300-40010	NUT	8				
12	11400-20010	WASHER, spring	8				
13	11411-10010	WASHER	8				
14	15332-03040	U-BOLT	4				
	L3a122						



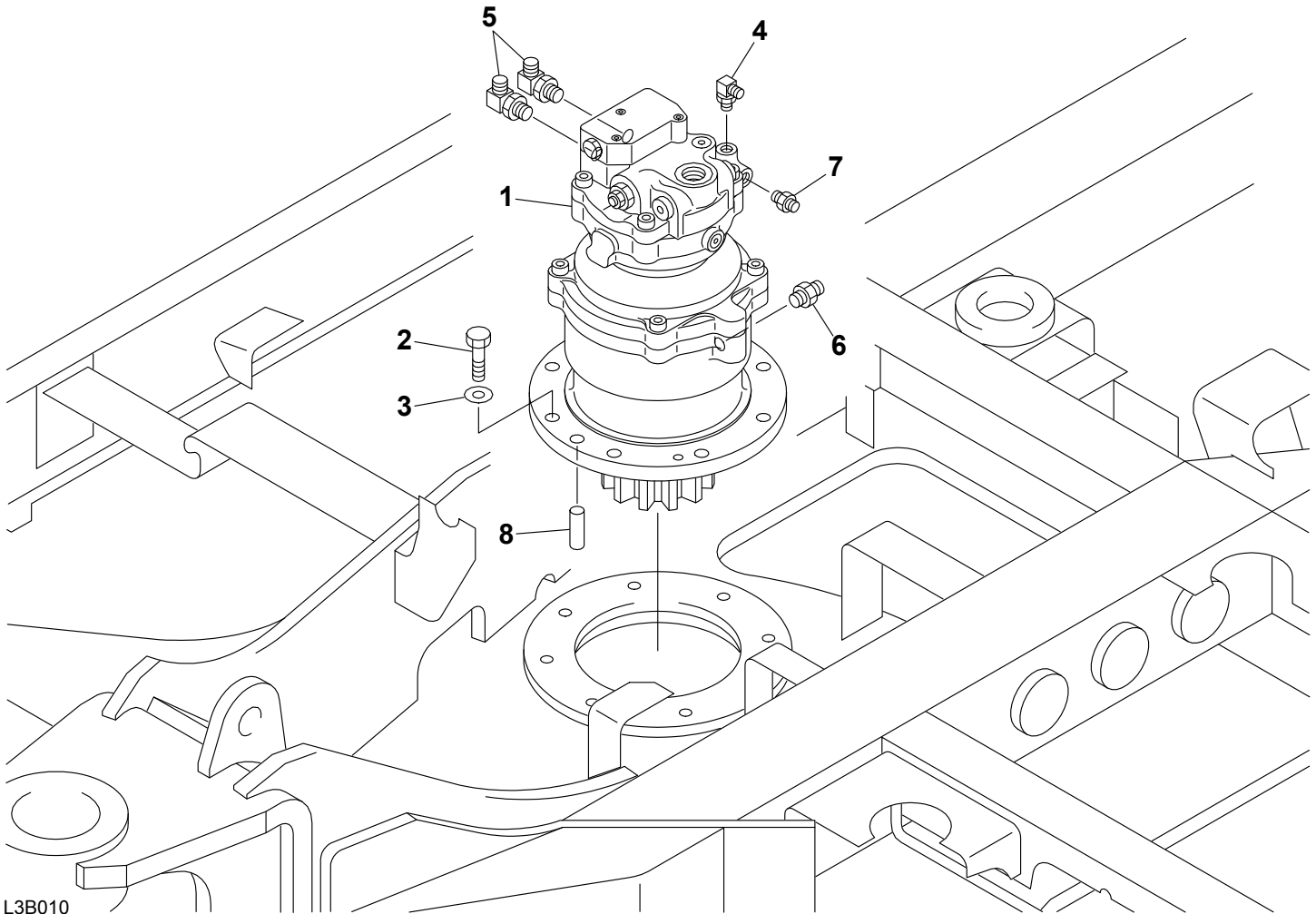
L3A110

S=1/14

PIPING; LOWER

Item	Part number	Description	Q'ty	Chan.	Serial No.	Serv.	Remarks
		PIPING ASSY, lower					X05672-19000-2
1	00972-10300	GUARD	2				
2	05672-19010	HOSE ASSY	2				18010-23150
2-1	15322-24060	· TUBE	1				sold by the meter
3	05672-19020	HOSE ASSY	1				
3-1	15322-24050	· TUBE	1				sold by the meter
4	05672-19030	HOSE ASSY	2				18010-22150
4-1	15322-06060	· TUBE	1				sold by the meter
5	05672-19040	HOSE ASSY	1				
5-1	15322-24050	· TUBE	1				sold by the meter
6	05672-19050	HOSE ASSY	1				
6-1	15322-24050	· TUBE	1				sold by the meter
7	05672-19060	HOSE ASSY	1				
7-1	15322-24050	· TUBE	1				sold by the meter
8	05672-19070	HOSE ASSY	1				18010-22040
9	05672-19080	HOSE ASSY	1				18010-22042
10	05672-19090	HOSE ASSY	1				18045-20120
11	05672-19100	HOSE ASSY	1				18045-20108
11-1	15322-24030	· TUBE	1				sold by the meter
12	05672-19110	HOSE ASSY	1				18045-20135
13	05672-19120	HOSE ASSY	1				18045-20096
14	05672-19130	HOSE ASSY	2				18010-22135
14-1	15322-06050	· TUBE	1				sold by the meter
15	05672-19140	HOSE ASSY	1				18010-22177
15-1	15322-06095	· TUBE	1				sold by the meter
16	05672-19150	HOSE ASSY	1				18010-22133
16-1	15322-06095	· TUBE	1				sold by the meter
17	15313-50020	PROTECTOR	4				sold by the meter
18	16522-00007	BAND	2				
19	05672-15100	GUARD	2				
20	15150-12040	ELBOW	2				
	14200-10110	· O-RING	1				
21	15123-70011	TEE	1				
	14200-10110	· O-RING	1				
22	11000-40645	BOLT	2				
23	11400-20006	WASHER, spring	2				
24	19017-29800	VALVE, reducing	1				
24-1	19017-29802	· VALVE, relief	1				

L3a112



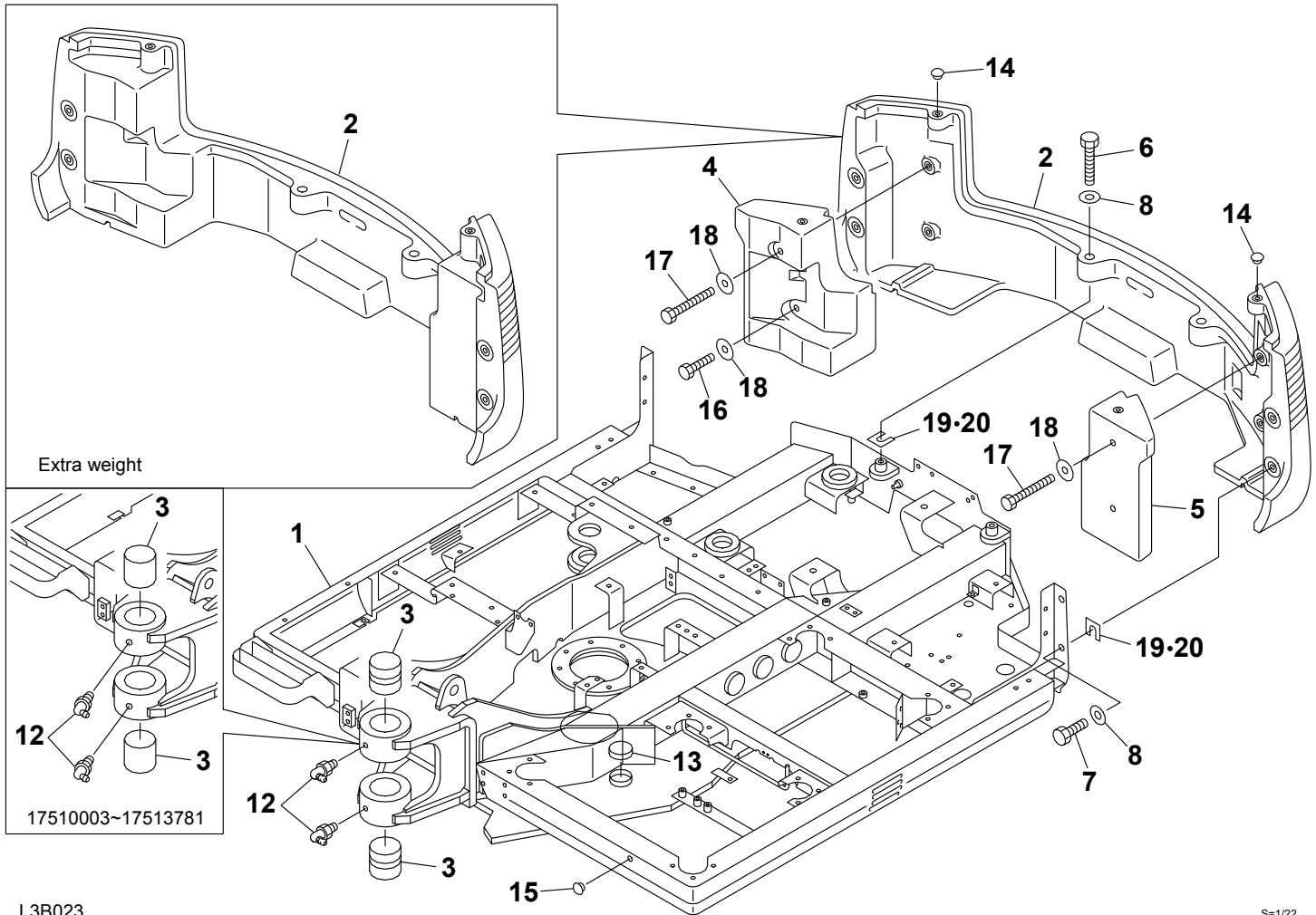
L3B010

S=1/8

SLEWING DEVICE

Item	Part number	Description	Q'ty	Chan.	Serial No.	Serv.	Remarks
		DEVICE ASSY, slewing					X05623-18000-3
1	19031-20900	MOTOR, slew	1				
2	11062-41650	BOLT	8				
3	11415-40016	WASHER	8				
4	15150-12040	ELBOW	1				
	14200-10110	· O-RING	1				
5	15150-10042	ELBOW	2				
	14200-10180	· O-RING	1				
6	15156-00201	ADAPTOR	1				
	14200-10140	· O-RING	1				
7	15156-00200	ADAPTOR	1				
	14200-10110	· O-RING	1				
8	05623-13100	PIN, parallel	1				
	L3b011						

TB175 Book No. BL3Z009 S/N 17510003-
TURNTABLE



BUY NOW

**Then Instant Download
the Complete Manual
Thank you very much!**