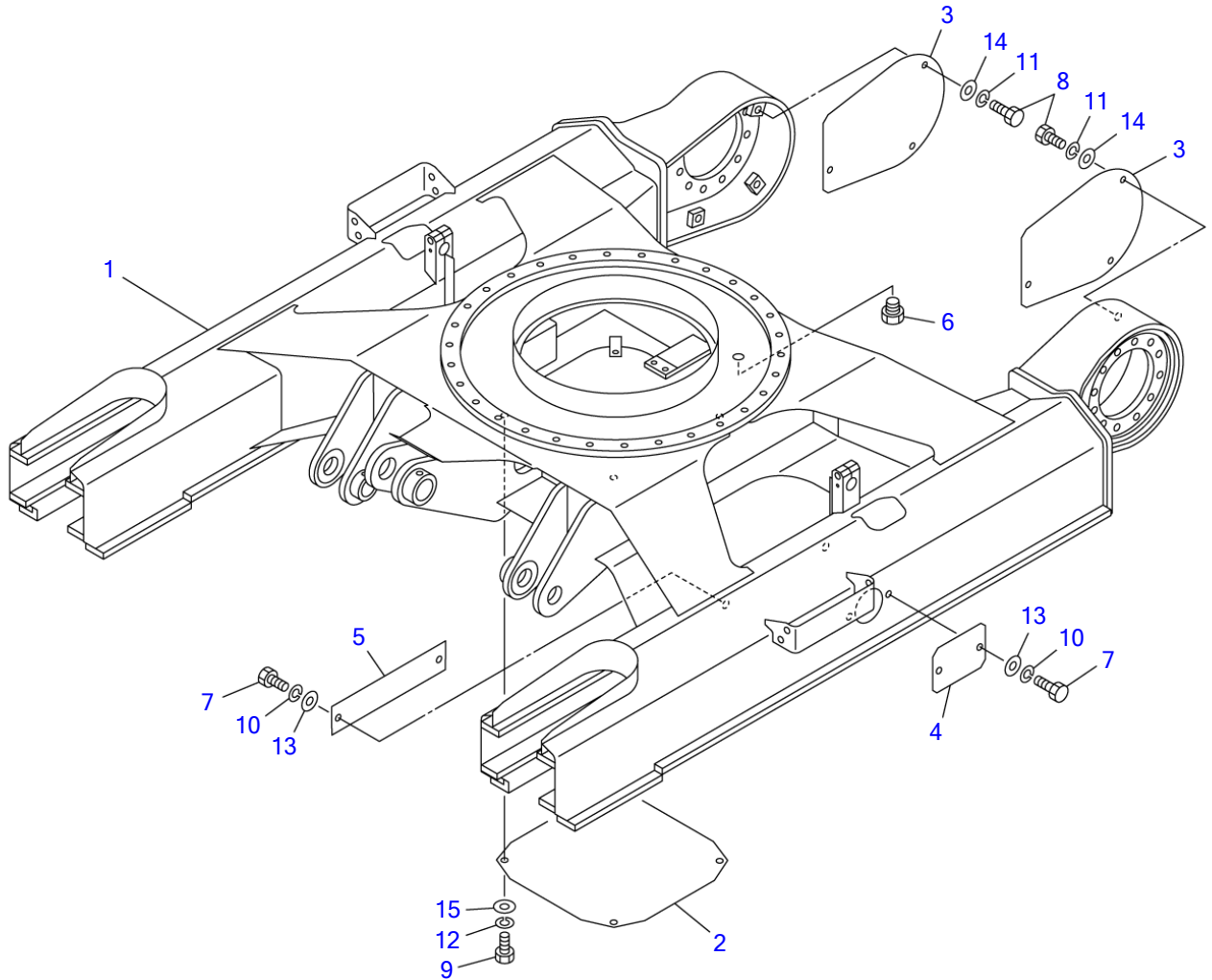


TB180FR Book No. BL8Z001 S/N 17840001-
LOWER FRAME



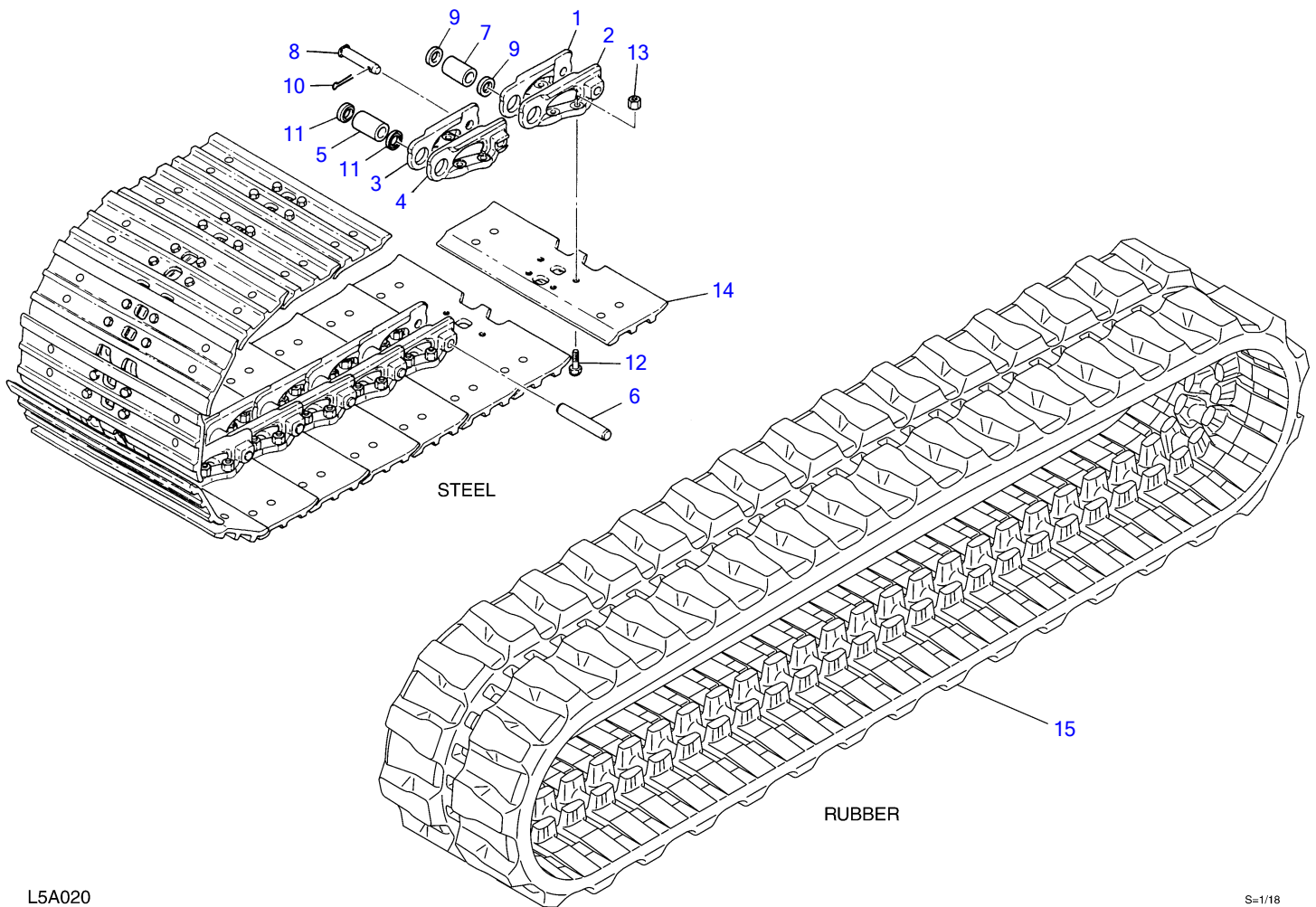
L5A010

S-1/18

LOWER FRAME

Item	Part number	Description	Q'ty	Chan.	Serial No.	Serv.	Remarks
		FRAME ASSY, lower					
1	X *****_*****	FRAME	1				
2	0561021010	COVER	1				
3	0561027020	COVER	2				
4	0561017400	COVER	2				
5	0561019400	COVER	2				
6	1501710010	PLUG	1				
7	1100040816	BOLT	8				
8	1100041020	BOLT	6				
9	1100041225	BOLT	4				
10	1140020008	WASHER, spring	8				
11	1140020010	WASHER, spring	6				
12	1140020012	WASHER, spring	4				
13	1141110008	WASHER	8				
14	1141110010	WASHER	6				
15	1141110012	WASHER	4				
	L5a011						

TB180FR Book No. BL8Z001 S/N 17840001-
CRAWLER BELT



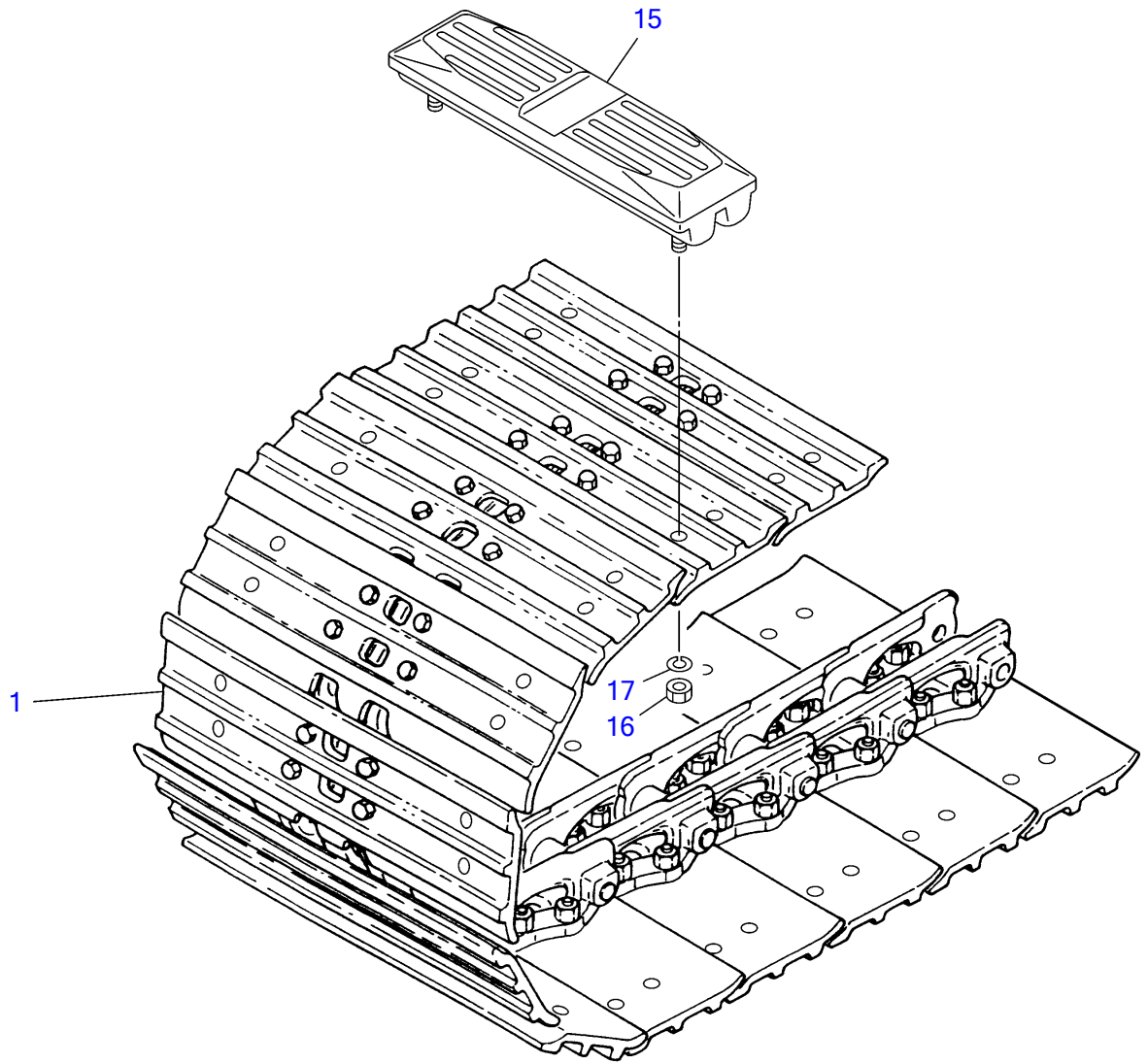
L5A020

S-1/18

CRAWLER BELT

Item	Part number	Description	Q'ty	Chan.	Serial No.	Serv.	Remarks
0	1914087300	BELT, steel crawler	2				
0-1	1914087199	• LINK ASSY	2				
1	1914087001	• • LINK (R.H.)	38				
2	1914087002	• • LINK (L.H.)	38				
3	1914087003	• • LINK, master (R.H.)	1				
4	1914087004	• • LINK, master (L.H.)	1				
5	1914087005	• • BUSHING	38				
6	1914087006	• • PIN, track	38				
7	1914087012	• • BUSHING	1				
8	1914087007	• • PIN, master	1				
9	1914087013	• • COLLAR	2				
10	1914087014	• • PIN, split	1				
11	1914087015	• • SEAL	76				
12	1914087009	• BOLT	156				
13	1914087010	• NUT	156				
14	1914087311	• PLATE	39				
15	1914086410	BELT, rubber crawler	2				
	L8a011						

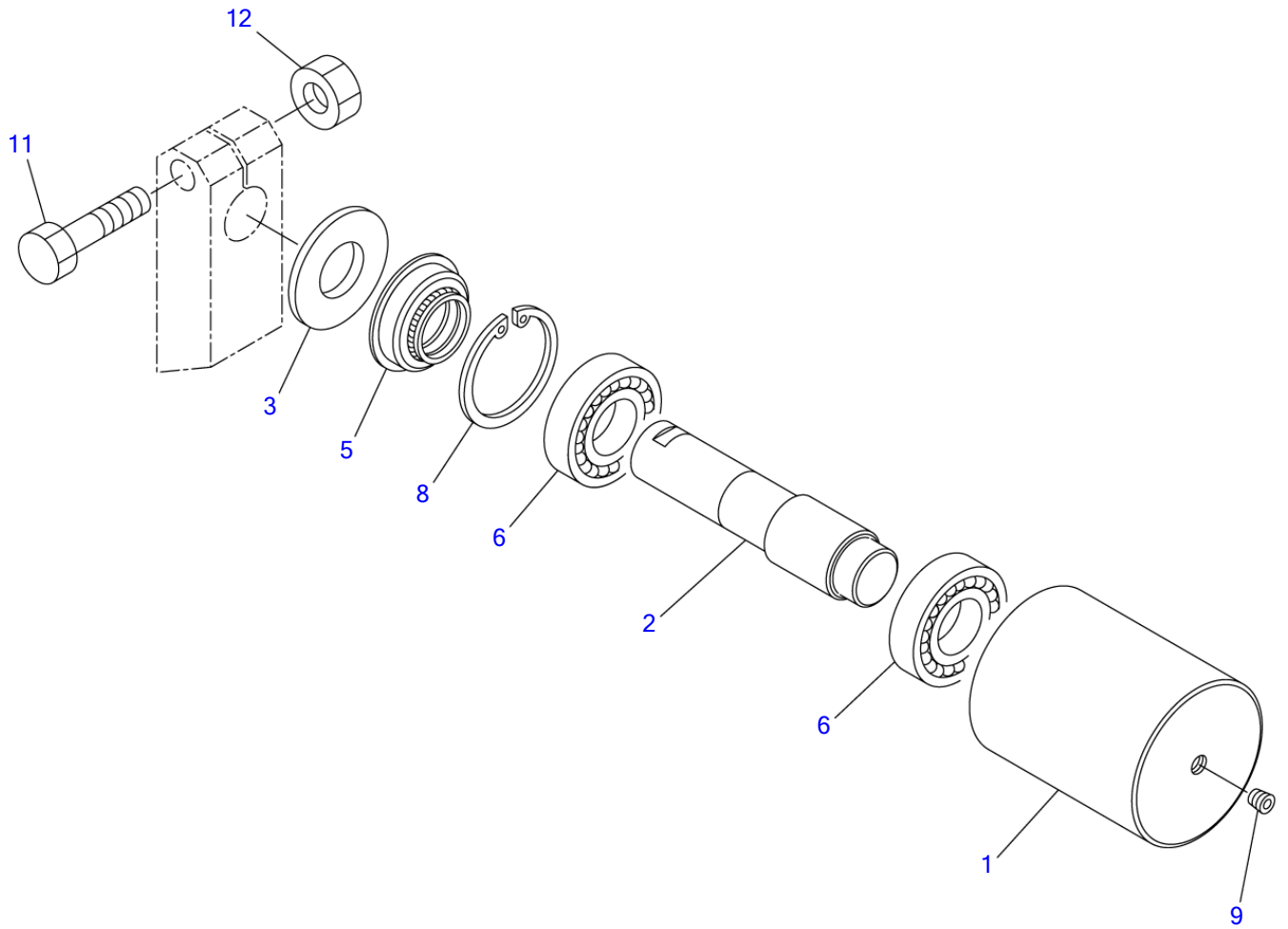
TB180FR Book No. BL8Z001 S/N 17840001-
CRAWLER BELT (with rubber pads)



L4A082

CRAWLER BELT (with rubber pads)

Item	Part number	Description	Q'ty	Chan.	Serial No.	Serv.	Remarks
0	1914087400	BELT ASSY, steel crawler (with rubber pads)	2				
1	1914087300	▪ BELT, steel crawler	1				
15	1914400600	▪ PAD, rubber	39				
16	1130050014	• • NUT	4				
17	1140010014	• • WASHER, spring	4				
	L4a083						



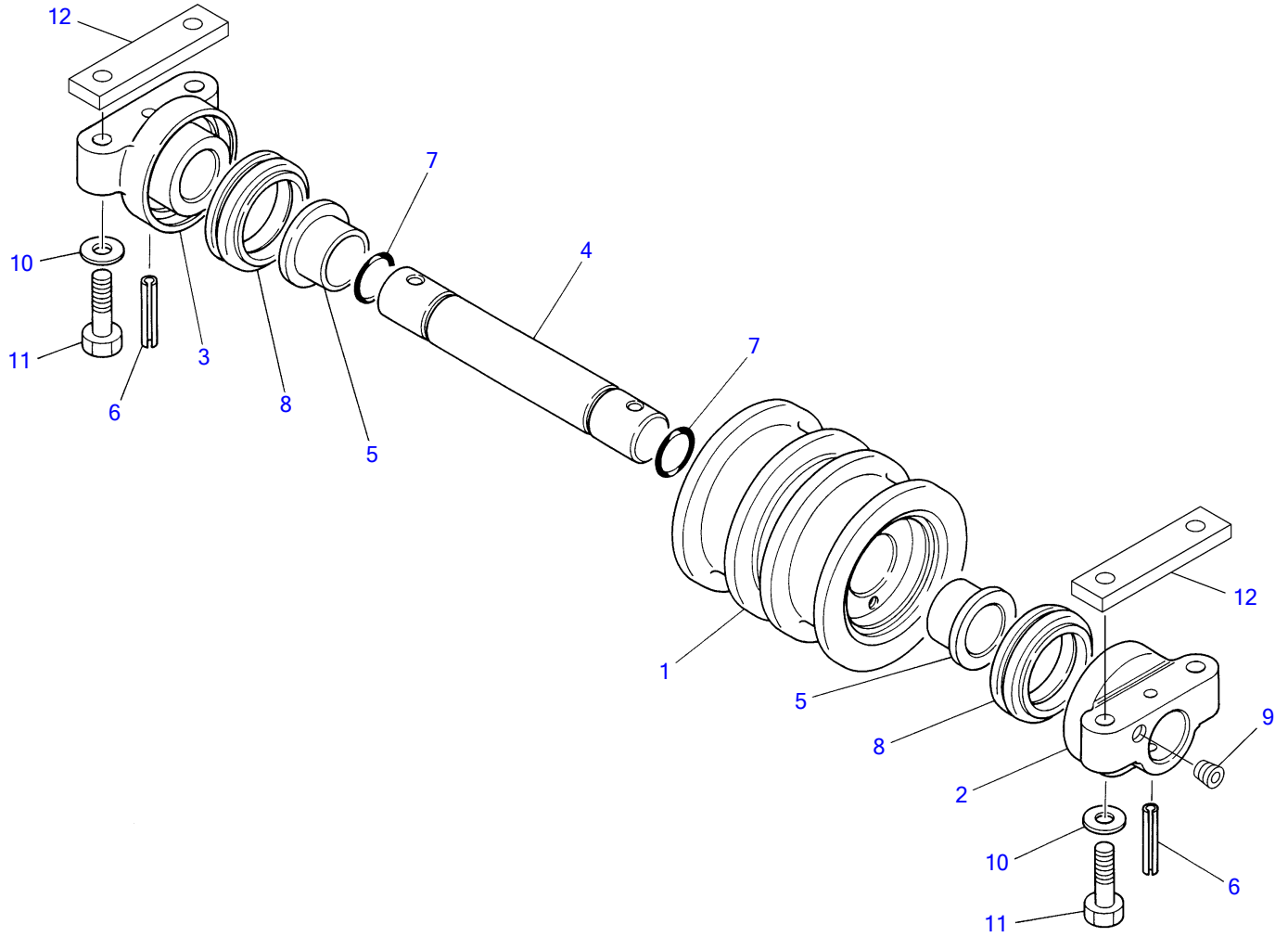
L3A030

S=1/4

CARRIER ROLLER

Item	Part number	Description	Q'ty	Chan.	Serial No.	Serv.	Remarks
0-1	0561204080	ROLLER ASSY, carrier	2				
1	0561202100	• ROLLER	1				
2	0561204100	• SHAFT	1				
3	0561202200	• COVER	1				
5	1431203572	• SEAL	1				
6	1300006207	• BEARING	2				
8	1221000072	• RING, snap	1				
9	1501810001	• PLUG	1				
11	1101041675	BOLT	2				
12	1130540016	NUT	2				
	L7A060						

TB180FR Book No. BL8Z001 S/N 17840001-
TRACK ROLLER



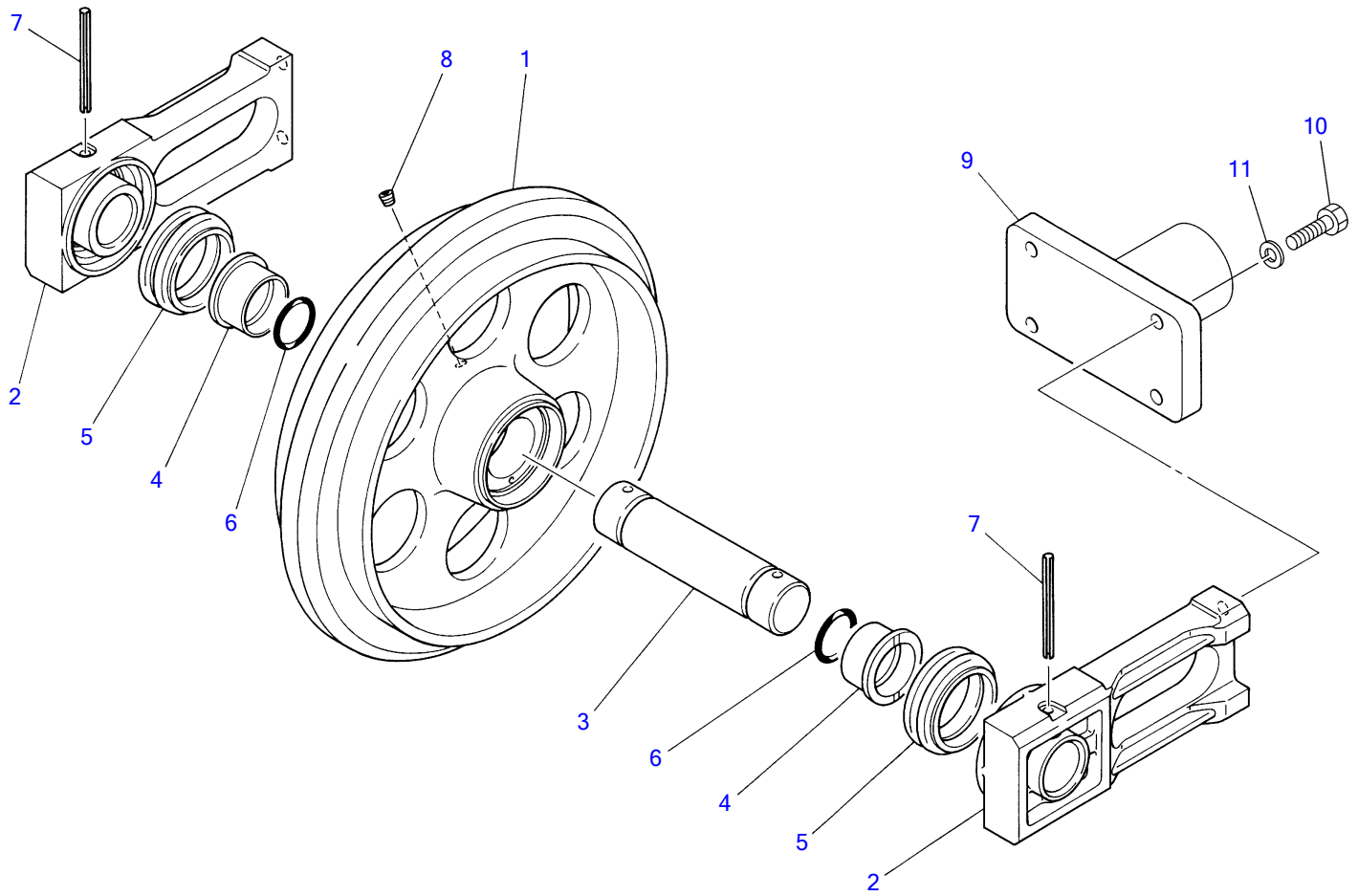
L5A100

S=1/5

TRACK ROLLER

Item	Part number	Description	Q'ty	Chan.	Serial No.	Serv.	Remarks
		ROLLER ASSY, track (rubber)					
		ROLLER ASSY, track (steel)					
0-1	0561308100	ROLLER SUB ASSY, track	10				
1	0561307200	• ROLLER	1				
2	0561308120	• COVER	1				
3	0561308130	• COVER	1				
4	0561304400	• SHAFT	1				
5	0561303500	• BUSHING	2				
6	1213001055	• PIN, spring	2				
7	1420100350	• O-RING	2				
8	1432500660	• SEAL, floating	2				
9	1501830001	• PLUG	1				
10	1141550014	WASHER	40				
11	1101041455	BOLT	40				rubber
	1101041470	BOLT	40				steel
12	0561308210	SPACER	20				steel
	L5a102						

TB180FR Book No. BL8Z001 S/N 17840001-
FRONT IDLER



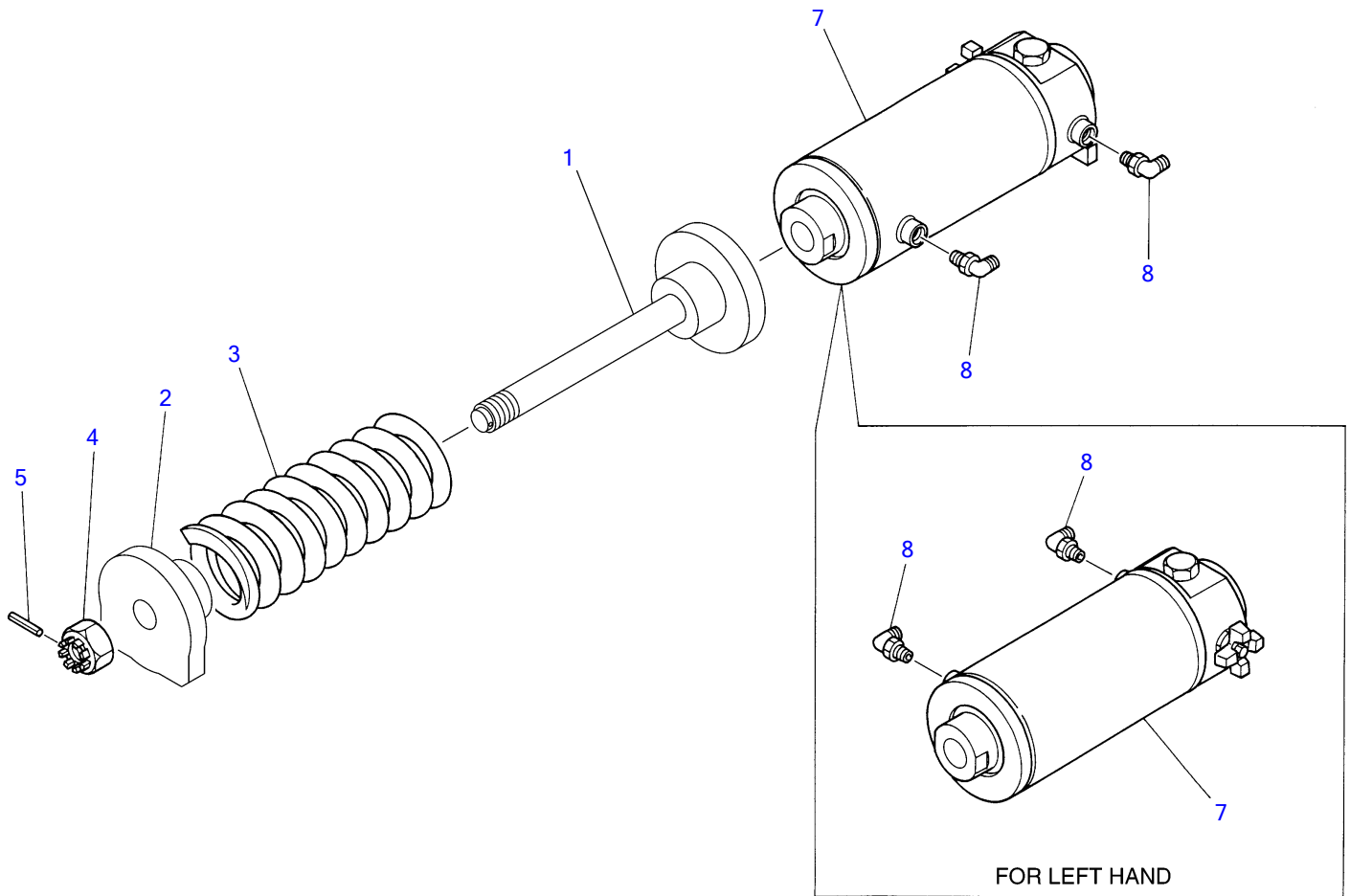
L5A040

S=1/7

FRONT IDLER

Item	Part number	Description	Q'ty	Chan.	Serial No.	Serv.	Remarks
		IDLER ASSY, front					
0-1	0561400600	DLER SUB ASSY, front	2				
1	0561400100	· IDLER	1				
2	0561400200	· BLOCK	2				
3	0561400300	· SHAFT	1				
4	0561400400	· BUSHING	2				
5	1432500800	· SEAL, floating	2				
6	1420700500	· O-RING	2				
7	1213101020	· PIN, spring	2				
8	1501810001	· PLUG	1				
9	0561412020	PLATE	2				
10	1101041450	BOLT	8				
11	1140020014	WASHER, spring	8				
	L5a041						

TB180FR Book No. BL8Z001 S/N 17840001-
TRACK ADJUSTER

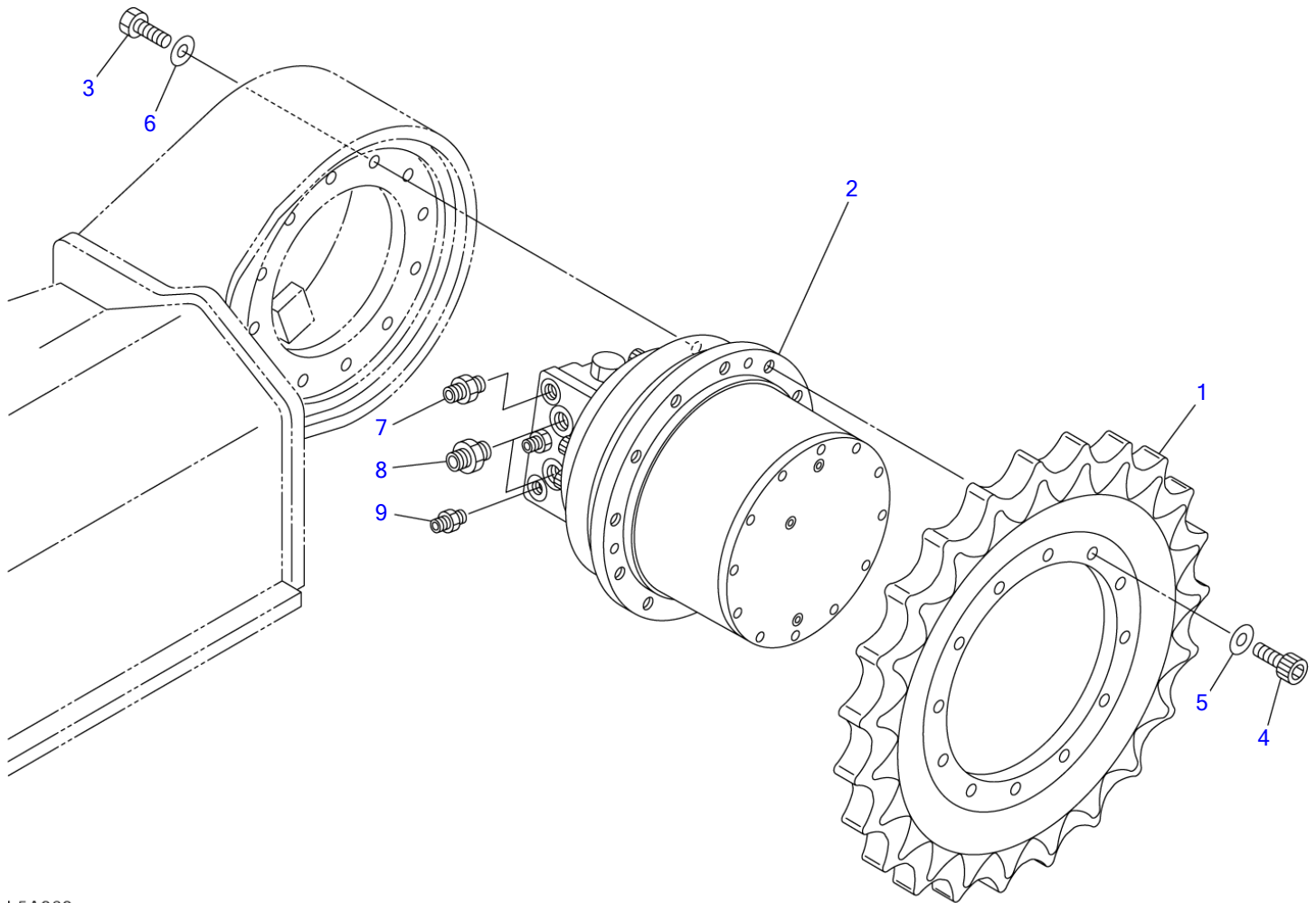


L5A050

S=1/7

TRACK ADJUSTER

Item	Part number	Description	Q'ty	Chan.	Serial No.	Serv.	Remarks
		SPRING ASSY (R.H.)					
		SPRING ASSY (L.H.)					
0-1	0561504100	SPRING ASSY	2				
1	0561504110	• ROD	1				
2	0561504120	• PLATE	1				
3	0007000121	• SPRING	1				
4	1132530033	• NUT	1				
5	1213000650	• PIN, spring	1				
0-2	0561503300	CYLINDER ASSY (R.H.)	1				
	0561503400	CYLINDER ASSY (L.H.)	1				
7	1900081000	• CYLINDER, tensioning (R.H.)	1				
	1900081100	• CYLINDER, tensioning (L.H.)	1				
8	1515012040	• ELBOW	2				
	1420010110	• • O-RING	1				
	L5a052						



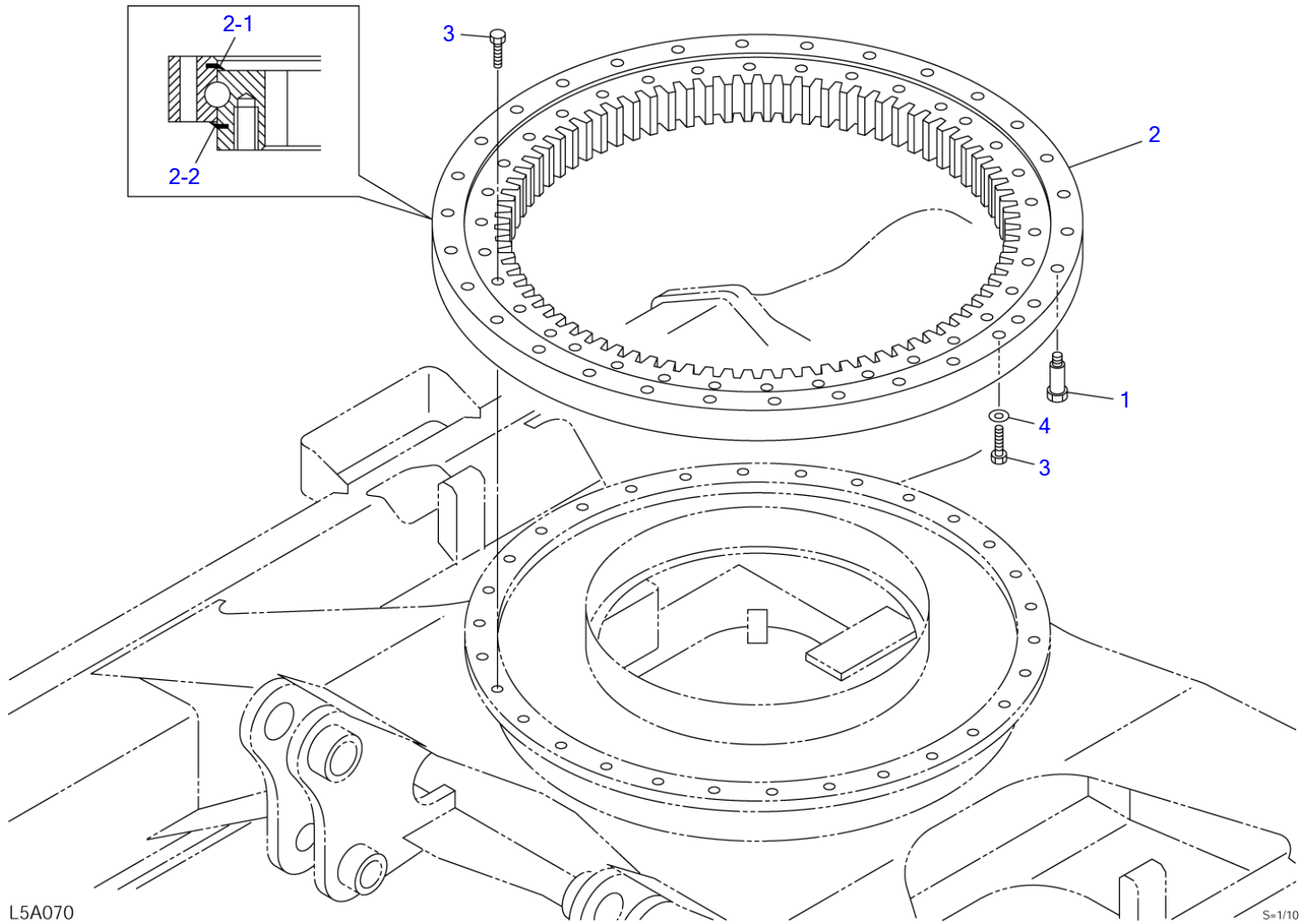
L5A060

S=1/7

TRAVEL DEVICE

Item	Part number	Description	Q'ty	Chan.	Serial No.	Serv.	Remarks
		MOTOR ASSY, travel					
1	0561615100	SPROCKET	2				
2	1903125800	MOTOR, travel	2				
3	1100041640	BOLT	24				
4	1110041440	SCREW, cap	24				
5	1141550014	WASHER	24				
6	1141550016	WASHER	24				
7	1515600201	ADAPTOR	2				
	1420010140	• O-RING	1				
8	1515600202	ADAPTOR	4				
	1420010180	• O-RING	1				
9	1515600576	ADAPTOR	2				
	1420010140	• O-RING	1				
	L5a061						

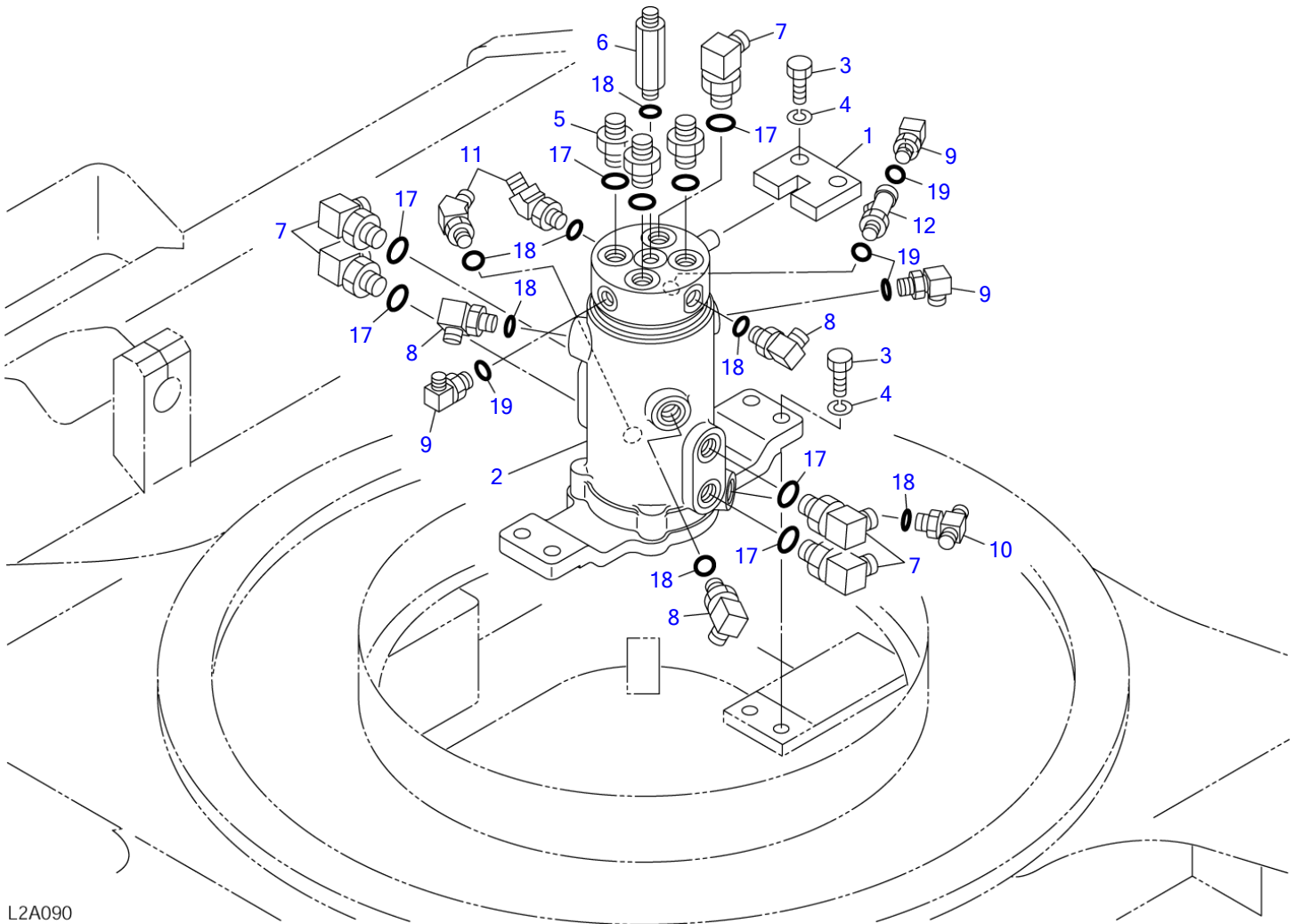
TB180FR Book No. BL8Z001 S/N 17840001-
SLEW BEARING



SLEW BEARING

Item	Part number	Description	Q'ty	Chan.	Serial No.	Serv.	Remarks
		BEARING ASSY, slew					
1	0562016100	BOLT	1				
2	1913004950	BEARING	1				
2-1	1913004958	• SEAL	1				
2-2	1913004959	• SEAL	1				
3	1101041685	BOLT	63				
4	1141550016	WASHER	29				
	L5a070						

TB180FR Book No. BL8Z001 S/N 17840001-
SWIVEL JOINT & ACCESSORIES

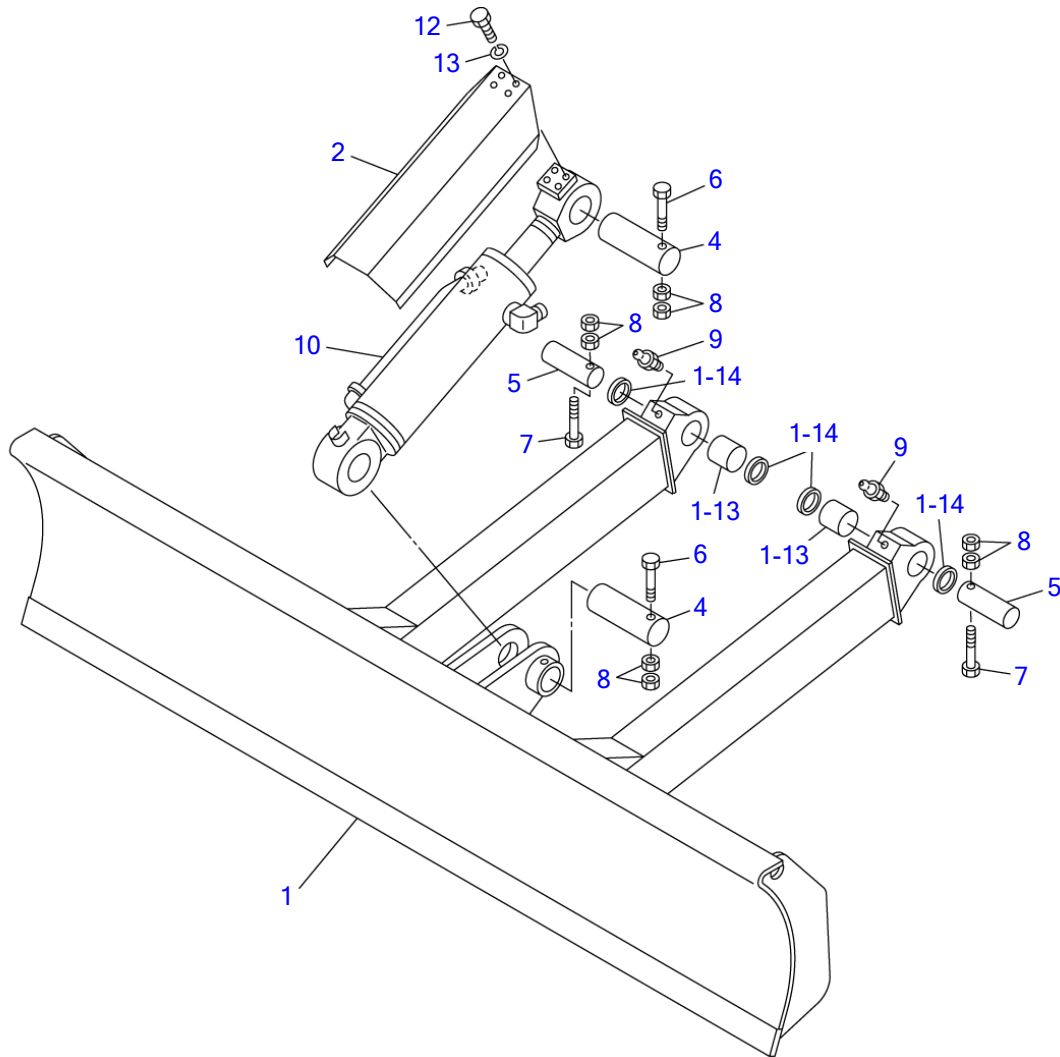


L2A090

S=1/6

SWIVEL JOINT & ACCESSORIES

Item	Part number	Description	Q'ty	Chan.	Serial No.	Serv.	Remarks
		JOINT ASSY, swivel					
1	0562100100	STOPPER	1				
2	1904008000	JOINT, swivel	1				
3	1101041440	BOLT	6				
4	1140020014	WASHER, spring	6				
5	1515600202	ADAPTOR	3				
	1420010180	• O-RING	1				
6	0007203027	ADAPTOR	1				
7	1515010042	ELBOW	5				
	1420010180	• O-RING	1				
8	1515010041	ELBOW	3				
	1420010140	• O-RING	1				
9	1515012040	ELBOW	3				
	1420010110	• O-RING	1				
10	1512374003	NIPPLE	1				
	1420010140	• O-RING	1				
11	1515100111	ELBOW	2				
	1420010140	• O-RING	1				
12	1512340001	ELBOW	1				
	1420010110	• O-RING	1				
17	1420010180	O-RING	8				
18	1420010140	O-RING	7				
19	1420010110	O-RING	4				
	L5a080						

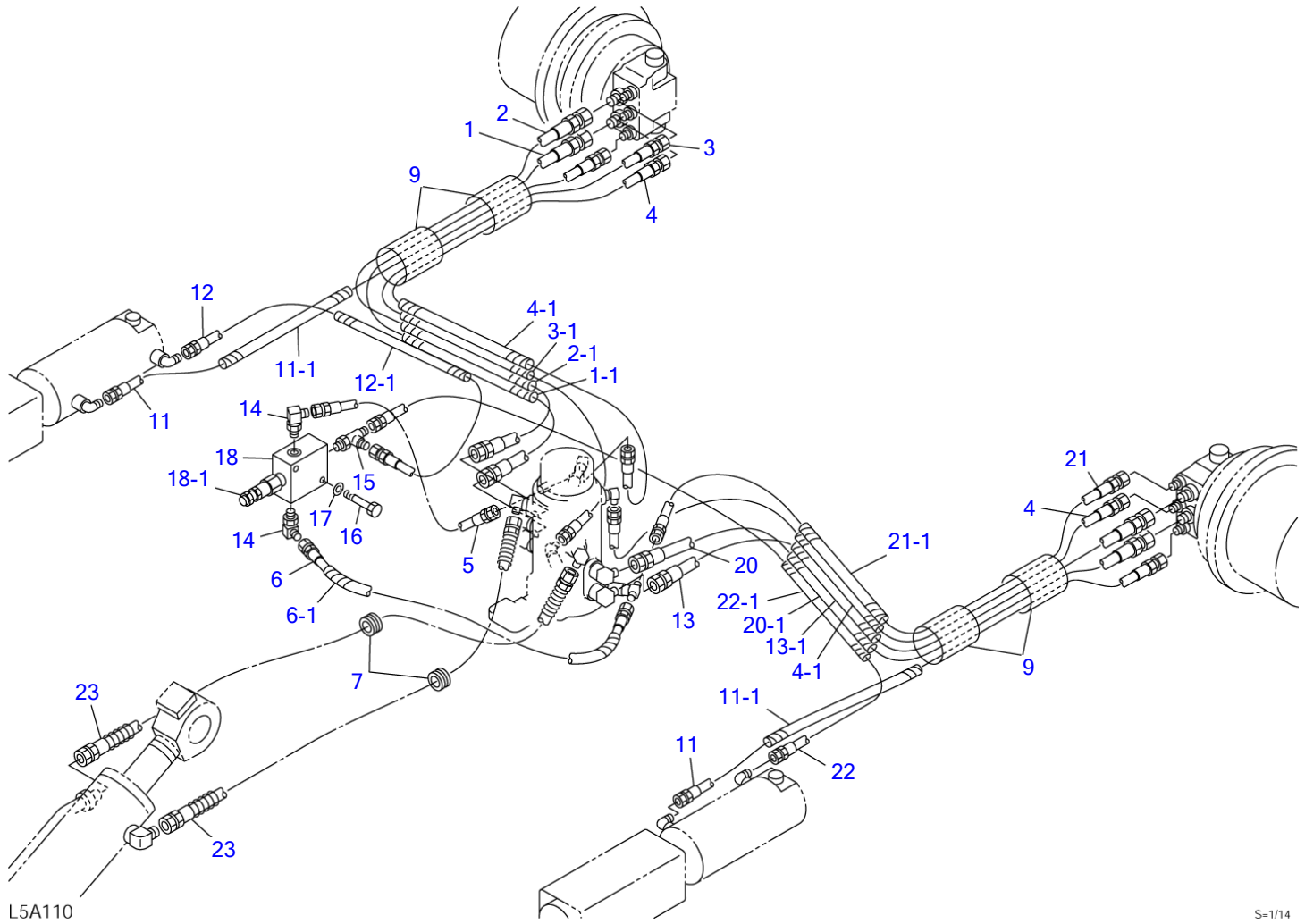


L8A020

S=1/16

DOZER BLADE

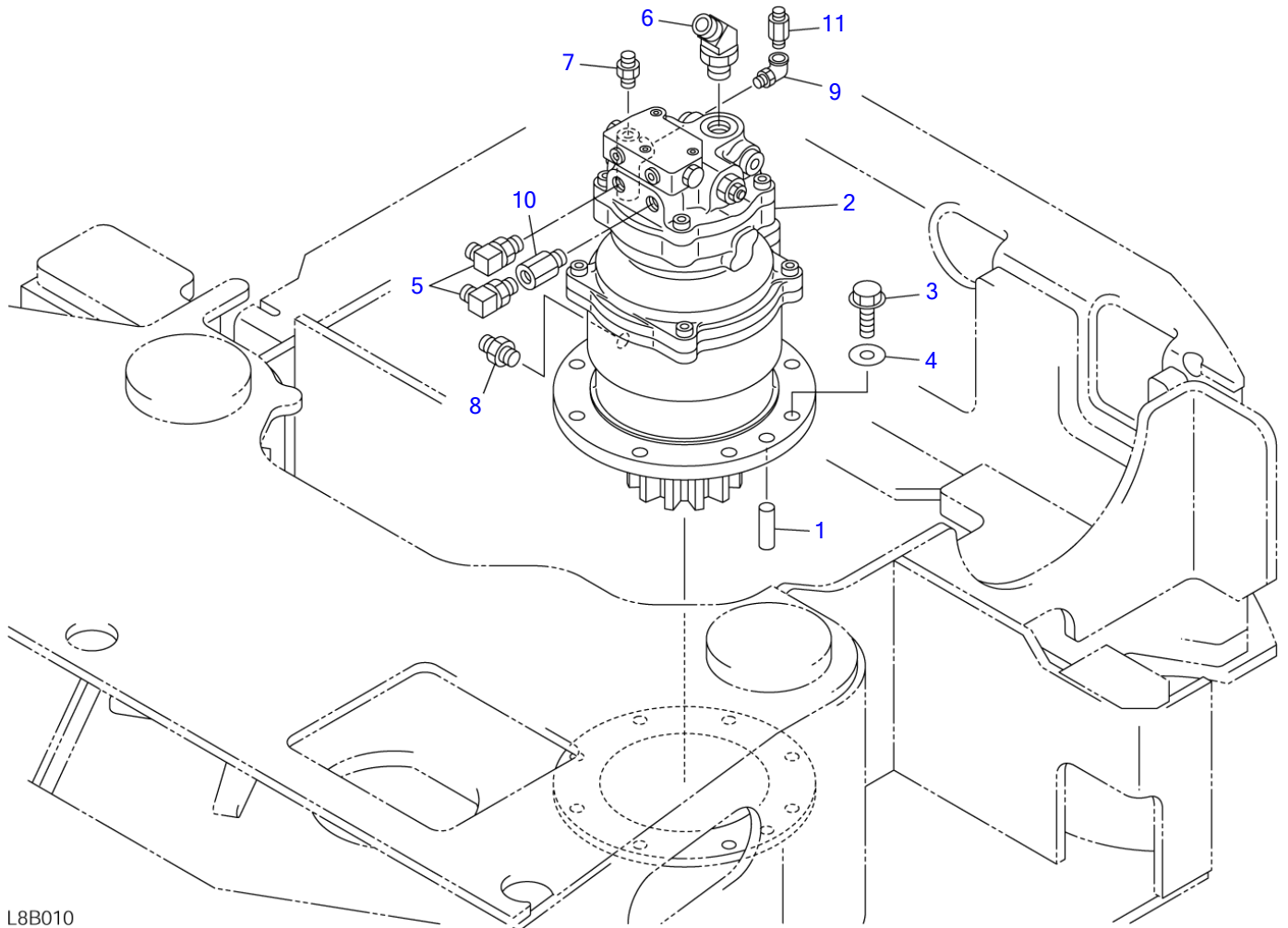
Item	Part number	Description	Q'ty	Chan.	Serial No.	Serv.	Remarks
		BLADE ASSY, dozer					
		BLADE ASSY, dozer (long)					
1	0566317700	BLADE SUB ASSY, dozer	1				
	0566322100	BLADE SUB ASSY, dozer	1				long
1-13	0002200016	• BUSHING	2				
1-14	1432200050	• SEAL, dust	4				
2	0566322300	COVER	1				
4	0001607160	PIN	2				
5	0001605160	PIN	2				
6	1103141205	BOLT	2				
7	1103041295	BOLT	2				
8	1130240012	NUT	8				
9	1560001000	FITTING, grease	2				
10	1900101200	CYLINDER, dozer blade	1				
	1900101300	CYLINDER, dozer blade	1				long
	1900104300	CYLINDER, DOZER BLADE	1				
12	1100040820	BOLT	4				
13	1140020008	WASHER, spring	4				
	L8a021						



S=1/14

PIPING; LOWER

Item	Part number	Description	Q'ty	Chan.	Serial No.	Serv.	Remarks
		PIPING ASSY, lower					
1	0567220010	HOSE ASSY	1				
1-1	1532224065	• PROTECTOR	1				sold by the meter
2	0567220020	HOSE ASSY	1				
2-1	1532224065	• PROTECTOR	1				sold by the meter
3	0567220030	HOSE ASSY	1				1801023145
3-1	1532224000	• PROTECTOR	1				sold by the meter
4	0567220040	HOSE ASSY	2				1801022155
4-1	1532206060	• PROTECTOR	1				sold by the meter
5	0567220050	HOSE ASSY	1				1801022042
6	0567220060	HOSE ASSY	1				1801022057
6-1	1532212041	• PROTECTOR	1				sold by the meter
7	0437200100	GUARD	2				
9	1531350020	PROTECTOR	4				sold by the meter
11	0567220070	HOSE ASSY	2				1801022135
11-1	1532206050	• PROTECTOR	1				sold by the meter
12	0567220080	HOSE ASSY	1				1801022155
12-1	1532206095	• PROTECTOR	1				sold by the meter
13	0567220090	HOSE ASSY	1				
13-1	1532224065	• PROTECTOR	1				sold by the meter
14	1515012040	ELBOW	2				
	1420010110	• O-RING	1				
15	1512370011	TEE	1				
	1420010110	• O-RING	1				
16	1100040645	BOLT	2				
17	1140020006	WASHER, spring	2				
18	1901729800	VALVE, reducing	1				
18-1	1901729802	• VALVE, relief	1				
20	0567220100	HOSE ASSY	1				
20-1	1532224065	• PROTECTOR	1				sold by the meter
21	0567220110	HOSE ASSY	1				1801023165
21-1	1532224070	• PROTECTOR	1				sold by the meter
22	0567220120	HOSE ASSY	1				1801022170
22-1	1532206095	• PROTECTOR	1				sold by the meter
23	0567220130	HOSE ASSY	2				1804520112
	L5a111						



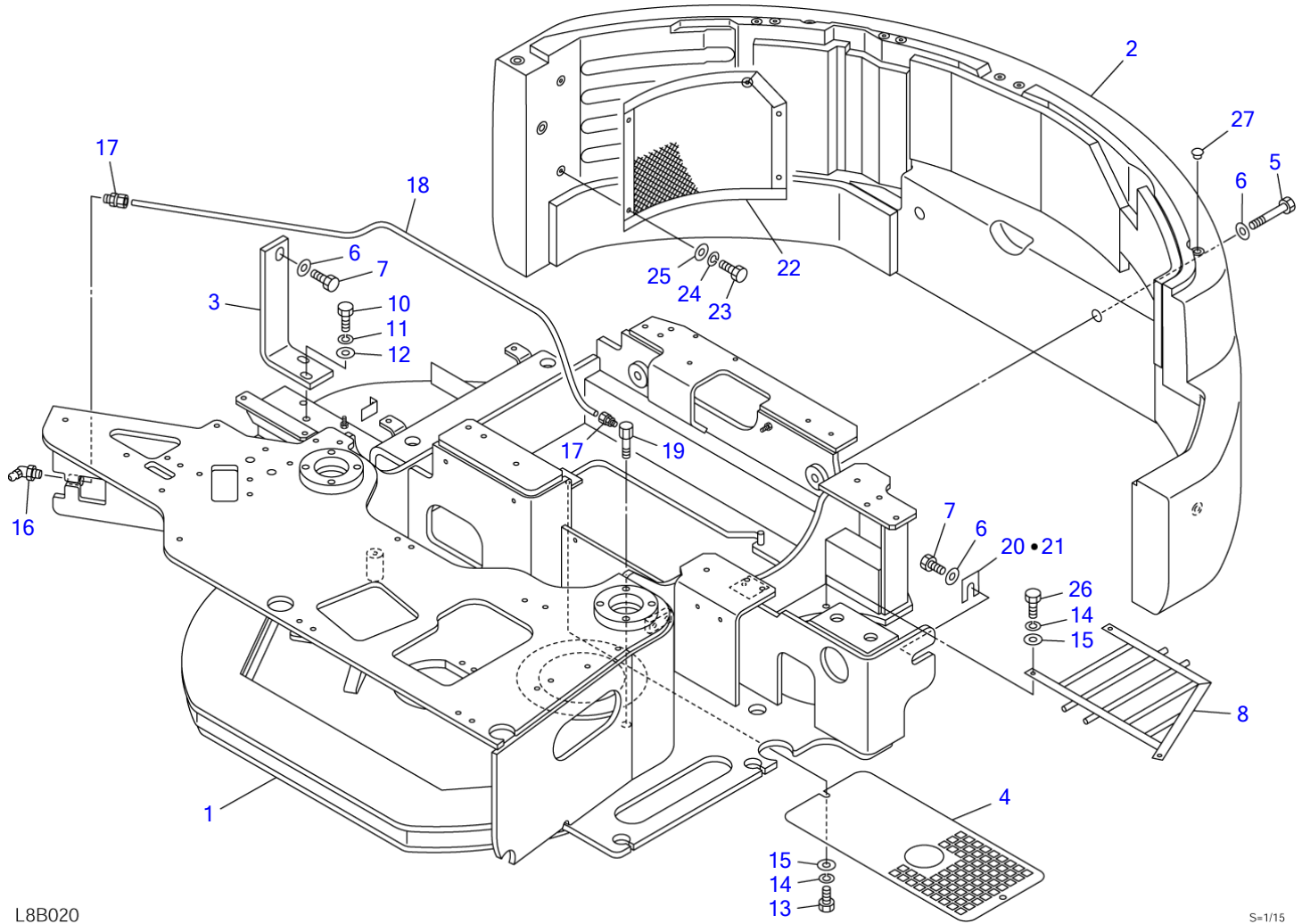
L8B010

S=1/8

SLEWING DEVICE

Item	Part number	Description	Q'ty	Chan.	Serial No.	Serv.	Remarks
		DEVICE ASSY, slewing					
1	0562313100	PIN, parallel	1				
2	1903125600	MOTOR, slew	1				
3	1106241650	BOLT	8				
4	1141550016	WASHER	8				
5	1515010042	ELBOW	2				
	1420010180	• O-RING	1				
6	1515100113	ELBOW	1				
	1420010240	• O-RING	1				
7	1515600200	ADAPTOR	1				
	1420010110	• O-RING	1				
8	1515600201	ADAPTOR	1				
	1420010140	• O-RING	1				
9	1513300022	ELBOW	1				
	1420010110	• O-RING	1				
10	0007213011	BUSHING	1				
	1420010180	• O-RING	1				
11	0007203034	ADAPTOR	1				
	1420010110	• O-RING	1				
	L8b010						

TB180FR Book No. BL8Z001 S/N 17840001-
TURNTABLE (1/2)



L8B020

S=1/15

BUY NOW

**Then Instant Download
the Complete Manual
Thank you very much!**