



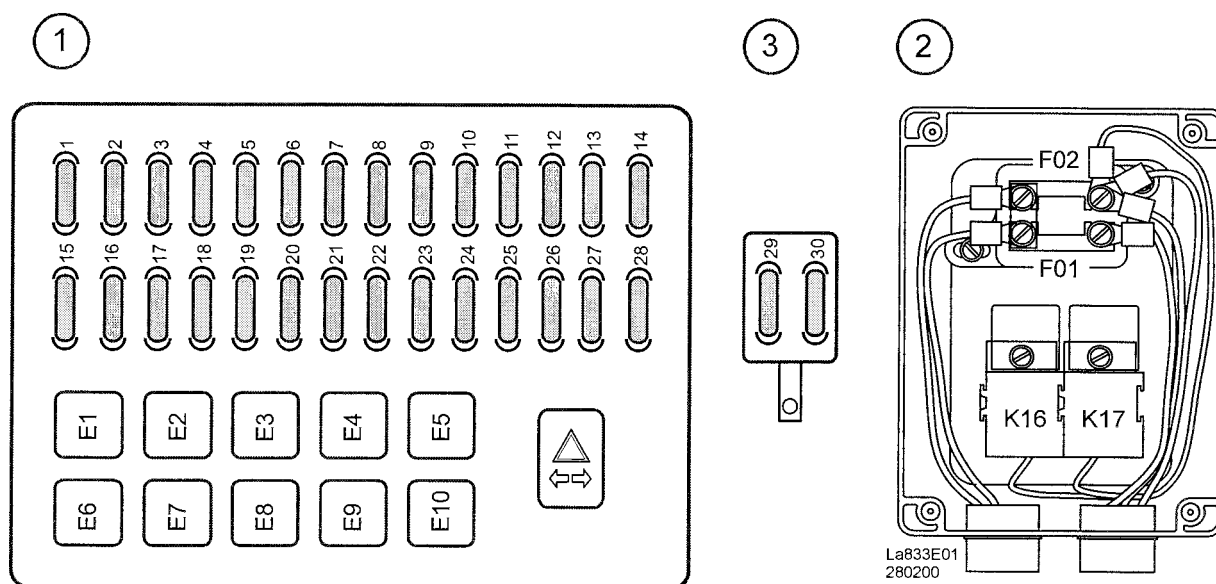
SKL 824 **SERVICE-MANUAL**

List of Contents

- 1 General**
- 2 Technical Data**
- 3 Diesel Engine**
- 4 Hydraulic System**
- 5 Setting Instructions**
- 6 Functioning Description**
- 7 Electrical System
- 8 Maintenance
- 9 Operation
- 10 Options
- 11 Repair Instructions
- 12 Service-Bulletins

Electrical system

Fuse and relay box - Assignment diagram



- 1 = Fuse and relay box Seat console, right, bottom
- 2 = Starter box Engine compartment dividing wall - tank side, right
- 3 = Fuse box Behind fuse and relay box (pos. 1)

Location	Relay	Function
E 1	--	not assigned
E 2	K 2	Starting safeguard
E 3	K 3	Travel, in reverse
E 4	K 4	Travel, forward
E 5	K 5	Float position
E 6	K 6	Additional valve
E 7	K 7	Additional valve
E 8	K 8	Brake inching
E 9	K 9	Working floodlight, front
E 10	K 10	Working floodlight, rear
	K 11	Flasher transmitter
	K 13	Pre-heat relay (engine compartment dividing wall - near generator)
	K 16	Shut-off
	K 17	Start-up

Fuse and diode assignment

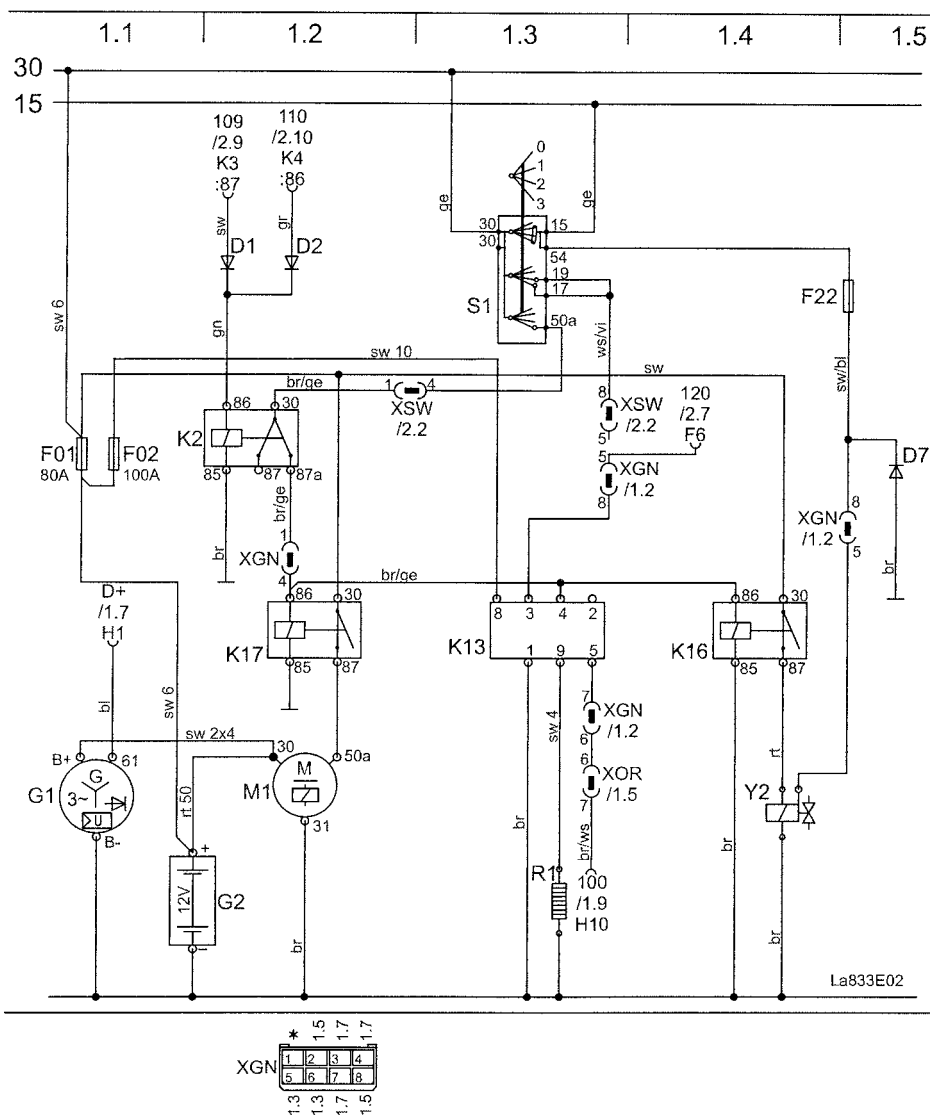
Position	Ampere	Assigned to	Position	Ampere	Assigned to
F 1	10	Hazard warning switch Immobilizer	F 15	10	Hazard warning switch Immobilizer
F 2	15	Working hydraulics cut-off	F 16	10	Rotating beacon Interior light
F 3	15	Travel - Fast/ slow	F 17	10	Socket Radio
F 4	15	Parking brake switch Travel, forward & in reverse Hydrostatic brake	F 18	15	Low beam
F 5	10	Signal horn	F 19	15	High beam
F 6	10	Brake light	F 20	10	Side marker lamp, left Working floodlights, front
F 7	15	Heater fan	F 21	10	Instrument light Working floodlights, rear Side marker lamp, right
F 8	15	Front wiper	F 22	20	Engine shut-off
F 9	15	Rear wiper	F 23 D 5	Diode 3A	Back-up alarm
F 10	10	Instruments	F 24 D 4	Diode 3A	Hydrostatic brake
F 11	15	Float position relay	F 25 D 3	Diode 3A	Activation fast / slow Hydrostatic brake
F 12	10	Radio	F 26 D 1	Diode 3A	Start-up safeguard
F 13	10	Additional control circuit	F 27 D 2	Diode 3A	Start-up safeguard
F 14 D 6	Diode 3A	Three-phase alternator	F 28 D 7	Diode 3A	Engine shut-off recovery diode
F 29 *	15	Working floodlights, front	F 30 *	15	Working floodlights, rear
F 01	80	Pre-heat/ starter switch	F 02	100	Starter

* These fuses are located behind the fuse and relay carrier. This part has to be removed to reach the fuses.

Cable and plug colors

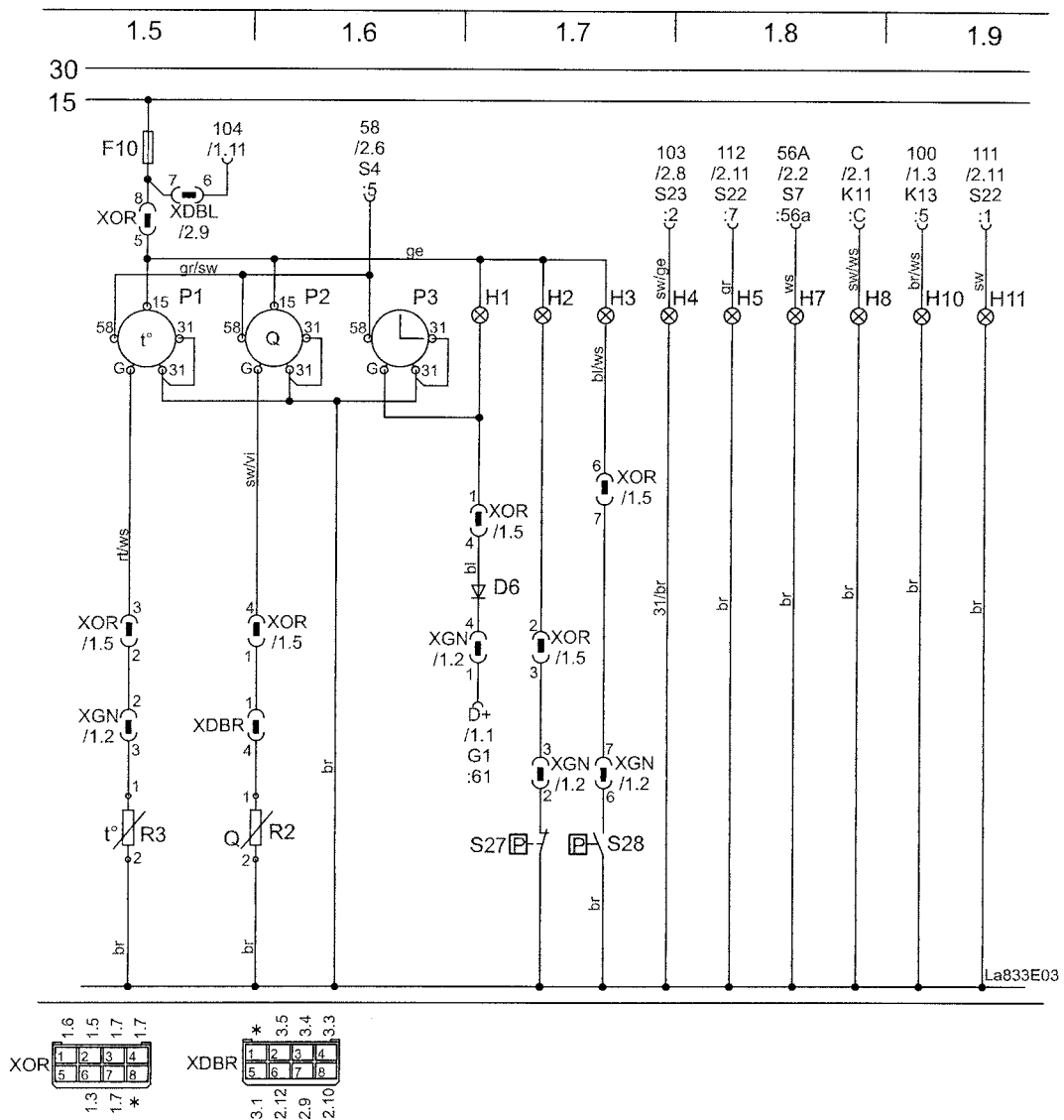
bg	beige	dgr	dark gray	hbr	light brown	rt	red
bl	blue	ge	yellow	hgr	light gray	sw	black
br	brown	gn	green	hr	light red	vi	violet
dbl	dark blue	gr	grey	nt	nature	ws	white
dbr	dark brown	hbl	light blue	or	orange		

Pre-heat, start-up system



Path	Designation	Device	Path	Designation	Device
		Pre-heat, start-up system	1.2	D1	Diode
1.1	G1	Generator	1.2	D2	Diode
1.1	G2	Battery 12 V	1.3	S1	Pre-heat/ starter switch
1.2	M1	Starter	1.3	K13	Pre-heat relay
1.2	K2	Starting relay (starting safeguard)	1.4	K16	Cut-off relay
1.2	K17	Starting relay (starting aid)	1.4	Y2	Electrical engine cut-off
1.1	F01	Blade-type fuse 80A	1.3	R1	Glow plugs
1.1	F02	Blade-type fuse 100A	1.5	D7	Diode
			1.5	F22	Fuse

Instruments, display elements



Path	Designation	Device	Path	Designation	Device
		Instruments, indicating units	1.7	H4	Parking brake indicator lamp
1.5	P1	Temperature indicator	1.8	H5	Travel, forward
1.6	P2	Fuel gauge	1.9	H11	Travel, in reverse
1.6	P3	Operating hour meter	1.8	H7	Upper beam indicator lamp
1.5	R3	Coolant temperature sensor	1.8	H8	Direction indicator
1.6	R2	Fuel gauge transmitter	1.9	H10	Pre-heat indicator lamp
1.5	F10	Fuse	1.7	D6	Diode
1.7	H1	Charge control lamp	1.7	S27	Engine oil pressure switch
1.7	H2	Engine oil pressure indicator lamp	1.7	S28	Air filter clogging switch
1.7	H3	Air filter clogging indicat. lamp			

Thank you very much for reading.

This is part of the demo page.

GET MORE:

**Diesel Engine, Hydraulic
System, Setting
Instructions, Functional
Description, Electrical
System And more.....**

Click Here BUY NOW

**Then Instant Download
the Complete Manual.**