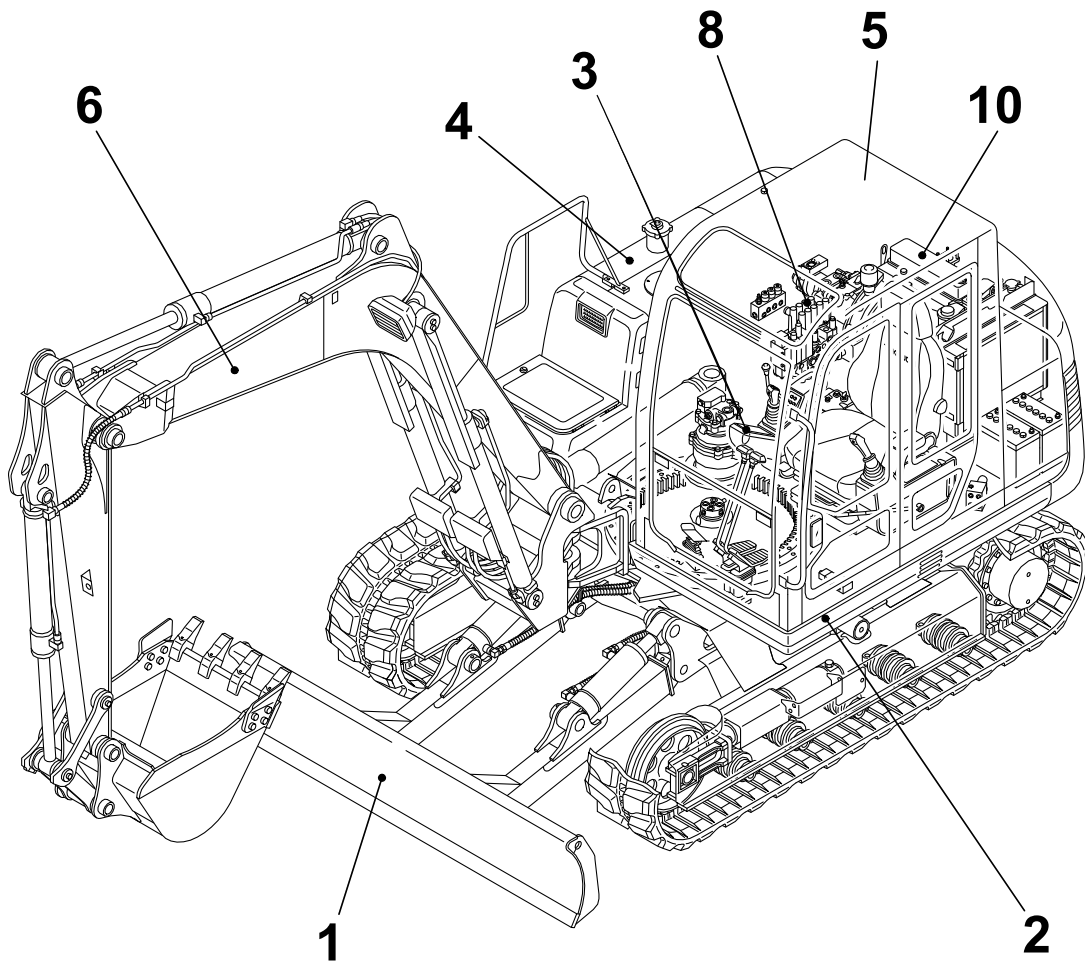


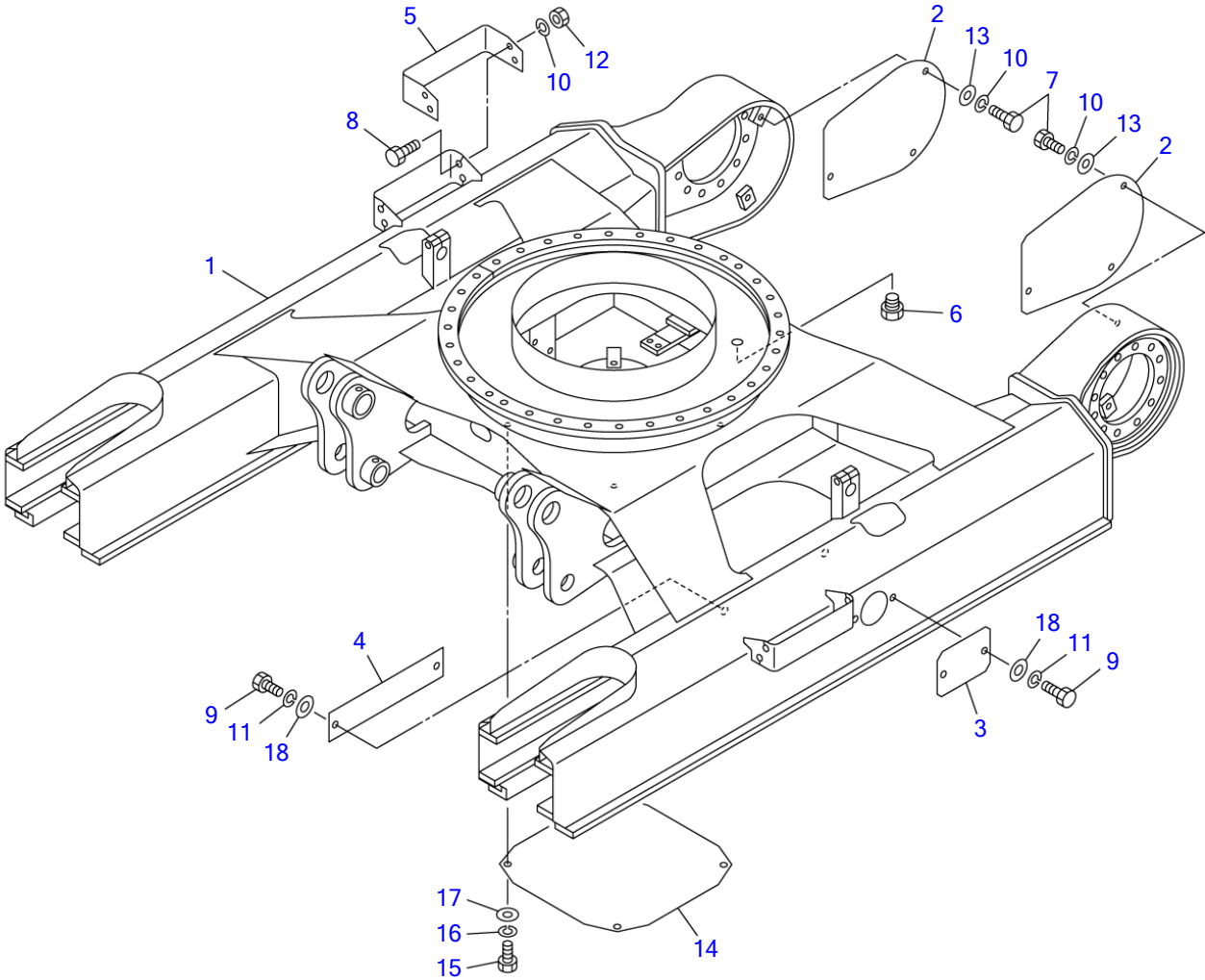
# TB175

Book No.BL7Z000  
Serial No.17530001-



# TAKEUCHI

TB175 Book No. BL7Z000 S/N 17530001-  
LOWER FRAME



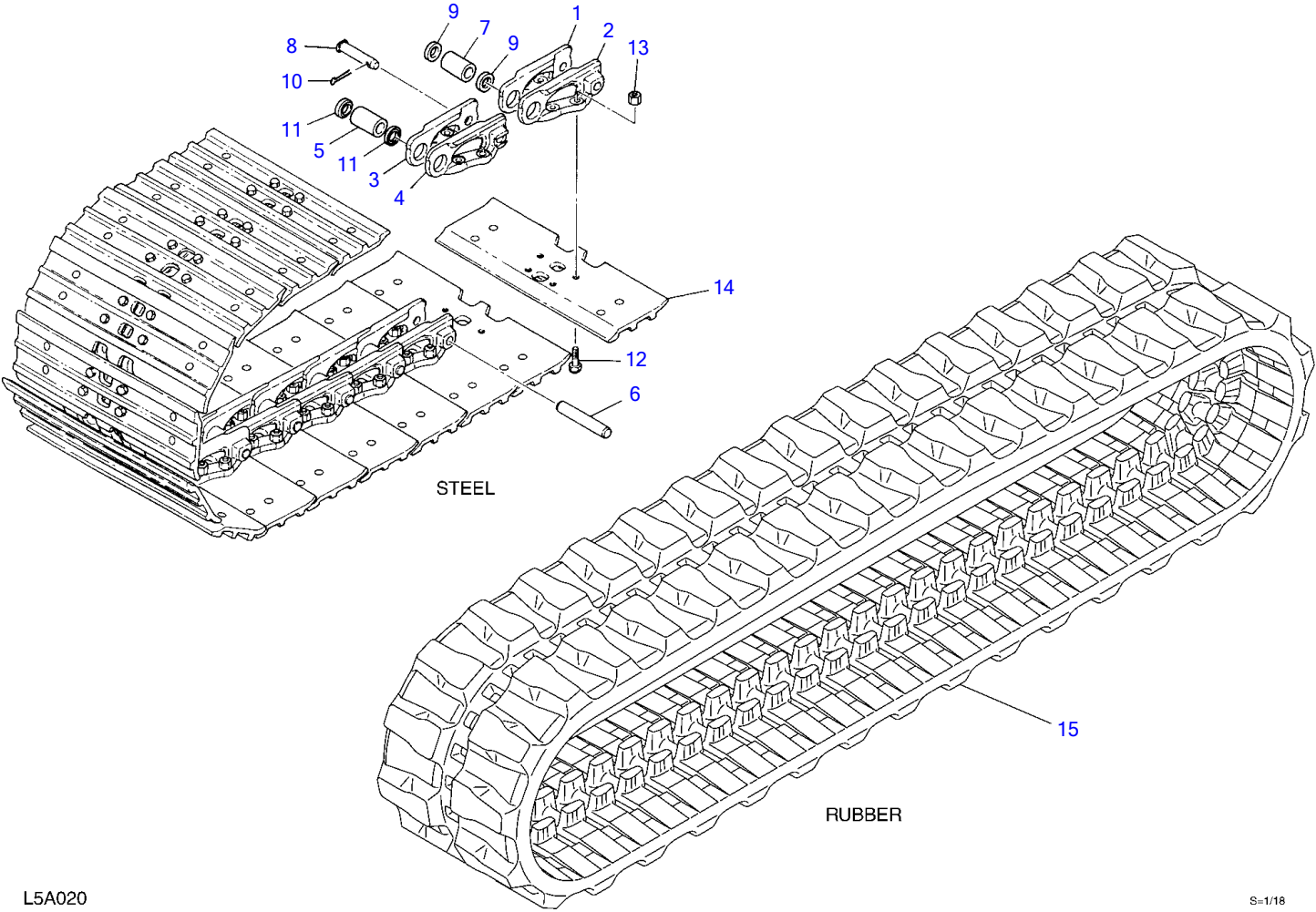
L7A010

S-1/18

**LOWER FRAME**

Item	Part number	Description	Q'ty	Chan.	Serial No.	Serv.	Remarks
		FRAME ASSY, lower					
		FRAME ASSY, lower (550mm shoe)					
1	X *****	FRAME	1				
2	0561027020	COVER	2				
3	0561017400	COVER	2				
4	0561019400	COVER	2				
5	0561019500	STEP	2				550mm shoe
6	1501710010	PLUG	1				
7	1100041020	BOLT	6				
8	1100041025	BOLT	8				550mm shoe
9	1100040816	BOLT	8				
10	1140020010	WASHER, spring	6				
	1140020010	WASHER, spring	14				550mm shoe
11	1140020008	WASHER, spring	8				
12	1130040010	NUT	8				550mm shoe
13	1141110010	WASHER	6				
14	0561021010	COVER	1				
15	1100041225	BOLT	4				
16	1140020012	WASHER, spring	4				
17	1141110012	WASHER	4				
18	1141110008	WASHER	8				
	L7a010						

TB175 Book No. BL7Z000 S/N 17530001-  
CRAWLER BELT



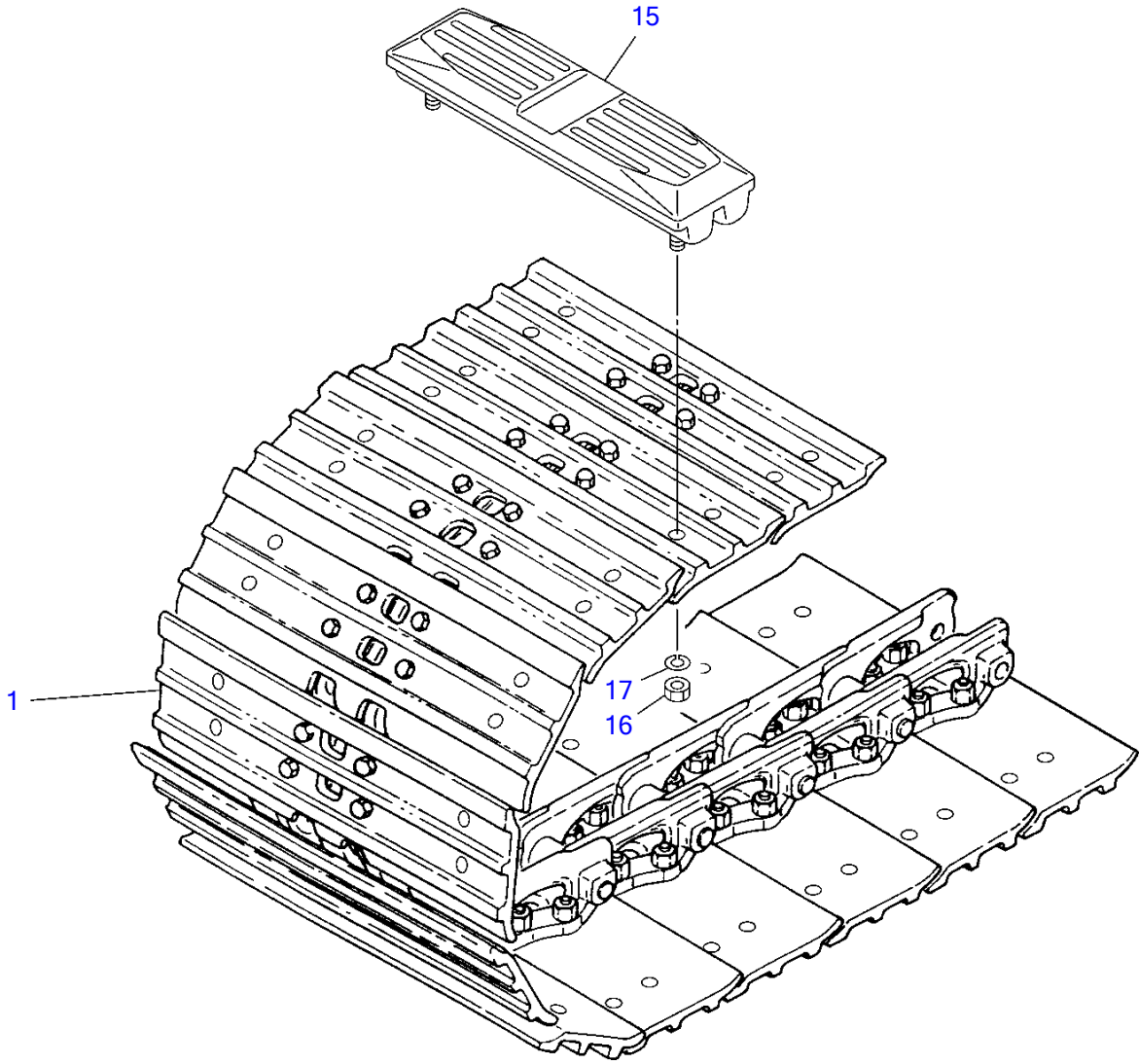
L5A020

S-1/18

**CRAWLER BELT**

Item	Part number	Description	Q'ty	Chan.	Serial No.	Serv.	Remarks
0	<b>1914087300</b>	BELT, steel crawler	2				450mm shoe
	<b>1914088100</b>	BELT, steel crawler	2				550mm shoe
0-1	<b>1914087199</b>	• LINK ASSY	2				
1	<b>1914087001</b>	• • LINK(R.H.)	38				
2	<b>1914087002</b>	• • LINK(L.H.)	38				
3	<b>1914087003</b>	• • LINK, master(R.H.)	1				
4	<b>1914087004</b>	• • LINK, master(L.H.)	1				
5	<b>1914087005</b>	• • BUSHING	38				
6	<b>1914087006</b>	• • PIN, track	38				
7	<b>1914087012</b>	• • BUSHING	1				
8	<b>1914087007</b>	• • PIN, master	1				
9	<b>1914087013</b>	• • COLLAR	2				
10	<b>1914087014</b>	• • PIN, split	1				
11	<b>1914087015</b>	• • SEAL	76				
12	<b>1914087009</b>	• BOLT	156				
13	<b>1914087010</b>	• NUT	156				
14	<b>1914087311</b>	• PLATE	39				450mm shoe
	<b>1914088011</b>	• PLATE	39				550mm shoe
15	<b>1914086300</b>	BELT, rubber crawler	2				
	<b>L7a020</b>						

TB175 Book No. BL7Z000 S/N 17530001-  
CRAWLER BELT (with rubber pads)

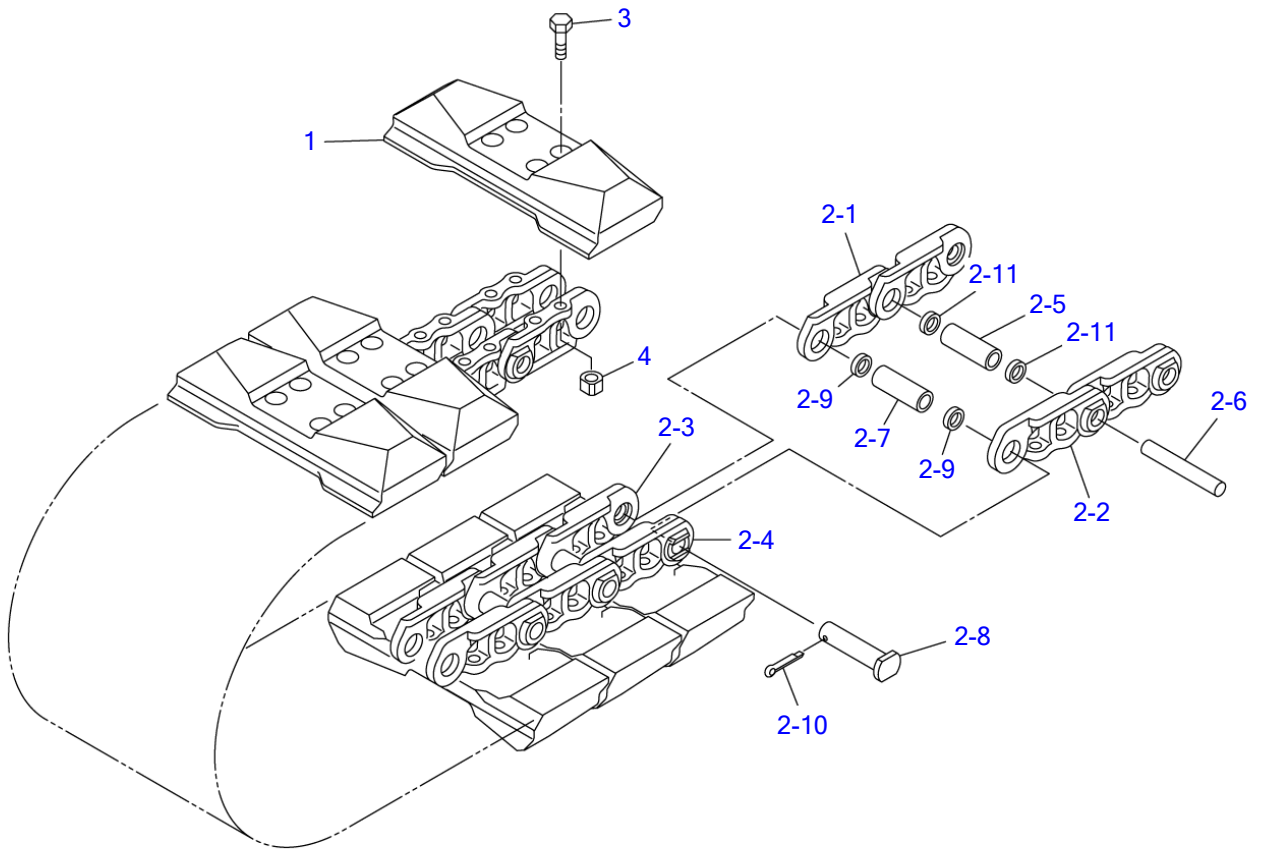


L4A082

**CRAWLER BELT (with rubber pads)**

Item	Part number	Description	Q'ty	Chan.	Serial No.	Serv.	Remarks
0	<b>1914087400</b>	BELT ASSY, steel crawler (with rubber pads)	2				
1	<b>1914087300</b>	▪ BELT, steel crawler	1				
15	<b>1914400600</b>	▪ PAD, rubber	39				
16	<b>1130050014</b>	• • NUT	4				
17	<b>1140010014</b>	• • WASHER, spring	4				
	<b>L4a083</b>						

TB175 Book No. BL7Z000 S/N 17530001-  
CRAWLER BELT (segment rubber crawler)



L3A130

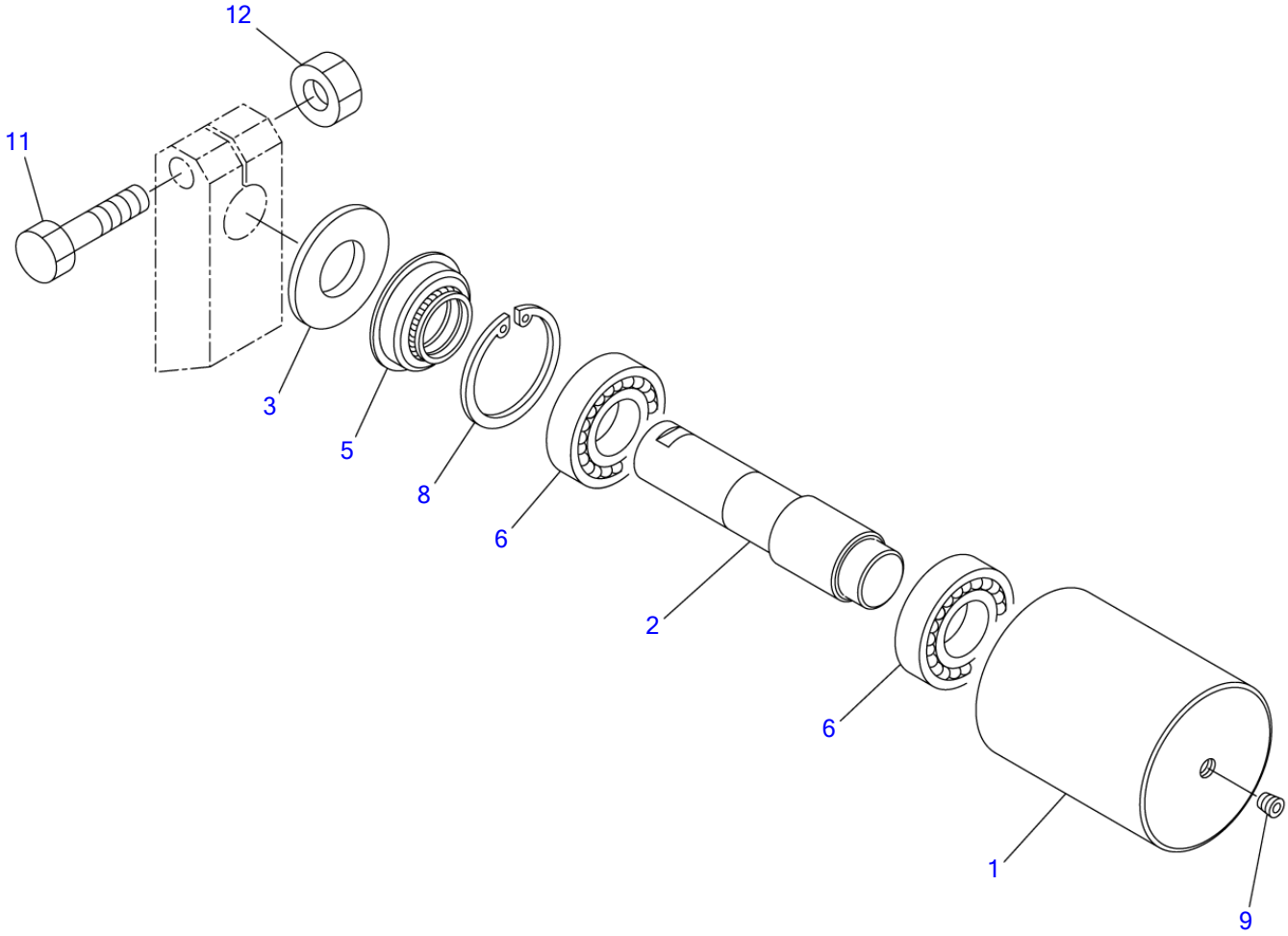
S=1/12



**CRAWLER BELT (segment rubber crawler)**

Item	Part number	Description	Q'ty	Chan.	Serial No.	Serv.	Remarks
0	<b>0561100000</b>	BELT, segment rubber crawler	2				
1	<b>1914401100</b>	▪ PAD, rubber	39				
2	<b>1914087199</b>	▪ LINK ASSY	2				
2-1	<b>1914087001</b>	▪ ▪ LINK(R.H.)	38				
2-2	<b>1914087002</b>	▪ ▪ LINK(L.H.)	38				
2-3	<b>1914087003</b>	▪ ▪ LINK, master(R.H.)	1				
2-4	<b>1914087004</b>	▪ ▪ LINK, master(L.H.)	1				
2-5	<b>1914087005</b>	▪ ▪ BUSHING	38				
2-6	<b>1914087006</b>	▪ ▪ PIN, track	38				
2-7	<b>1914087012</b>	▪ ▪ BUSHING	1				
2-8	<b>1914087007</b>	▪ ▪ PIN, master	1				
2-9	<b>1914087013</b>	▪ ▪ COLLAR	2				
2-10	<b>1914087014</b>	▪ ▪ PIN, split	1				
2-11	<b>1914087015</b>	▪ ▪ SEAL	76				
3	<b>1914087009</b>	▪ BOLT	156				
4	<b>1914087010</b>	▪ NUT	156				
	<b>L3a130</b>						

TB175 Book No. BL7Z000 S/N 17530001-  
CARRIER ROLLER



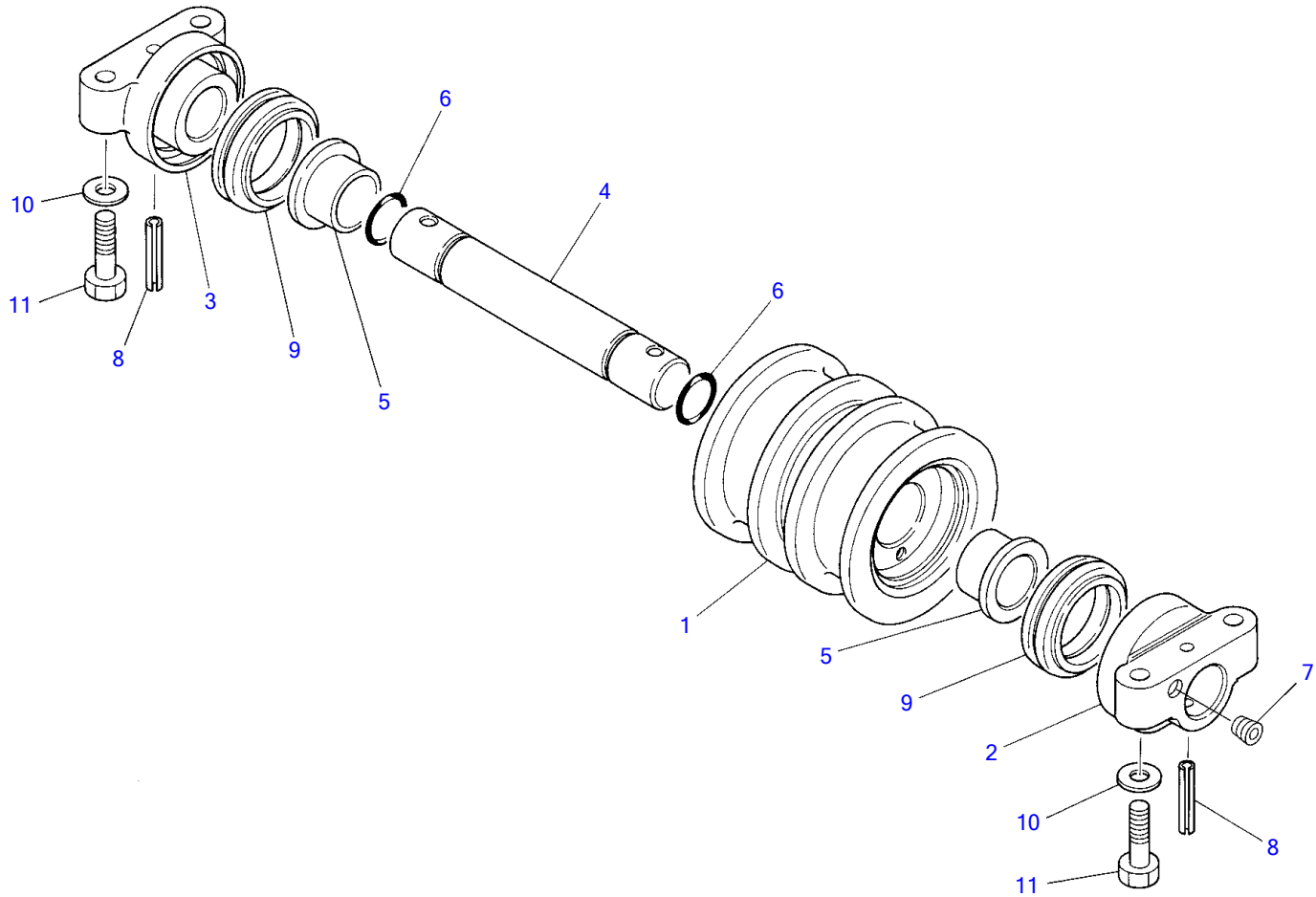
L3A030

S=1/4

**CARRIER ROLLER**

Item	Part number	Description	Q'ty	Chan.	Serial No.	Serv.	Remarks
0-1	<b>0561204080</b>	ROLLER ASSY, carrier	2				
1	<b>0561202100</b>	• ROLLER	1				
2	<b>0561204100</b>	• SHAFT	1				
3	<b>0561202200</b>	• COVER	1				
5	<b>1431203572</b>	• SEAL	1				
6	<b>1300006207</b>	• BEARING	2				
8	<b>1221000072</b>	• RING, snap	1				
9	<b>1501810001</b>	• PLUG	1				
11	<b>1101041675</b>	BOLT	2				
12	<b>1130540016</b>	NUT	2				
	<b>L3a032</b>						

TB175 Book No. BL7Z000 S/N 17530001-  
TRACK ROLLER



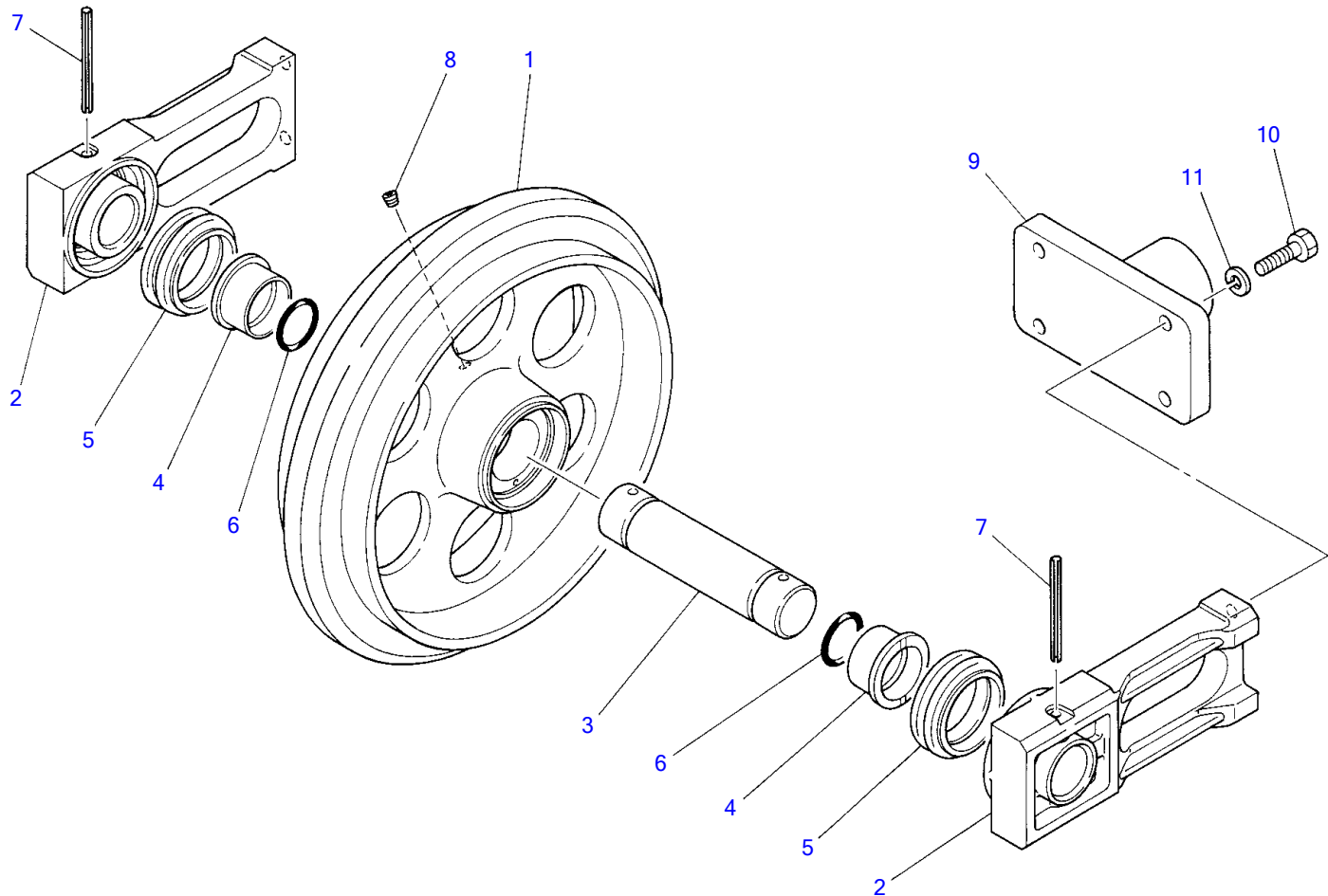
L7A030

S=1/5

**TRACK ROLLER**

Item	Part number	Description	Q'ty	Chan.	Serial No.	Serv.	Remarks
		ROLLER ASSY, track					
0-1	<b>0561307100</b>	ROLLER SUB ASSY, track	10				
1	<b>0561307200</b>	▪ ROLLER	1				
2	<b>0561307120</b>	▪ COVER	1				
3	<b>0561304300</b>	▪ COVER	1				
4	<b>0561304400</b>	▪ SHAFT	1				
5	<b>0561303500</b>	▪ BUSHING	2				
6	<b>1420100350</b>	▪ O-RING	2				
7	<b>1501830001</b>	▪ PLUG	1				
8	<b>1213001055</b>	▪ PIN, spring	2				
9	<b>1432500660</b>	▪ SEAL, floating	2				
10	<b>1141540012</b>	WASHER	40				
11	<b>1101041250</b>	BOLT	40				
	<b>L7a030</b>						

TB175 Book No. BL7Z000 S/N 17530001-  
FRONT IDLER



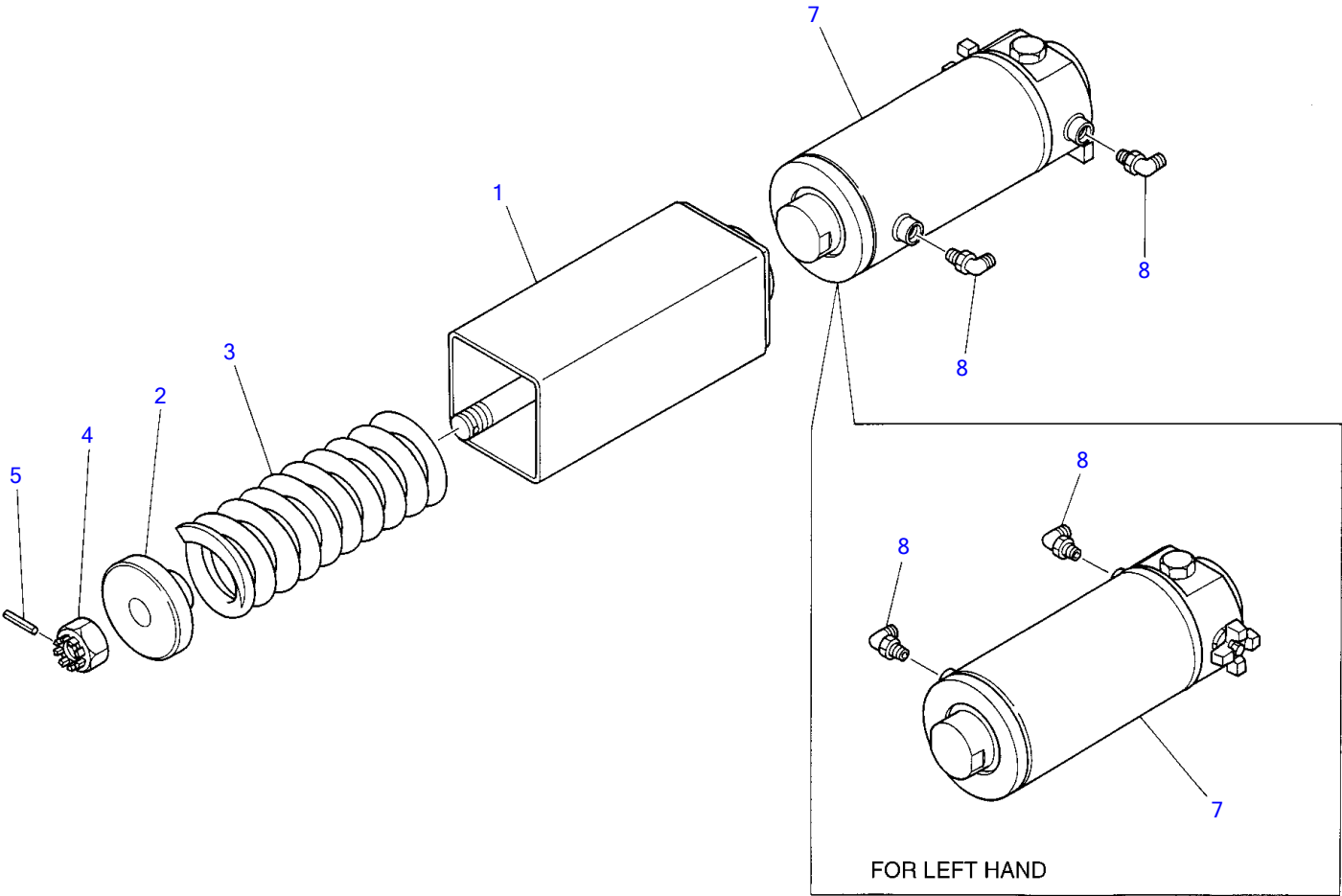
L2A050

S=1/7

**FRONT IDLER**

Item	Part number	Description	Q'ty	Chan.	Serial No.	Serv.	Remarks
		IDLER ASSY, front					
0-1	<b>0561400600</b>	IDLER SUB ASSY, front	2				
1	<b>0561400100</b>	· IDLER	1				
2	<b>0561400200</b>	· BLOCK	2				
3	<b>0561400300</b>	· SHAFT	1				
4	<b>0561400400</b>	· BUSHING	2				
5	<b>1432500800</b>	· SEAL, floating	2				
6	<b>1420100500</b>	· O-RING	2				
7	<b>1213101020</b>	· PIN, spring	2				
8	<b>1501810001</b>	· PLUG	1				
9	<b>0561401500</b>	PLATE	2				
10	<b>1101041450</b>	BOLT	8				
11	<b>1140020014</b>	WASHER, spring	8				
	<b>L3a052</b>						

TB175 Book No. BL7Z000 S/N 17530001-  
TRACK ADJUSTER



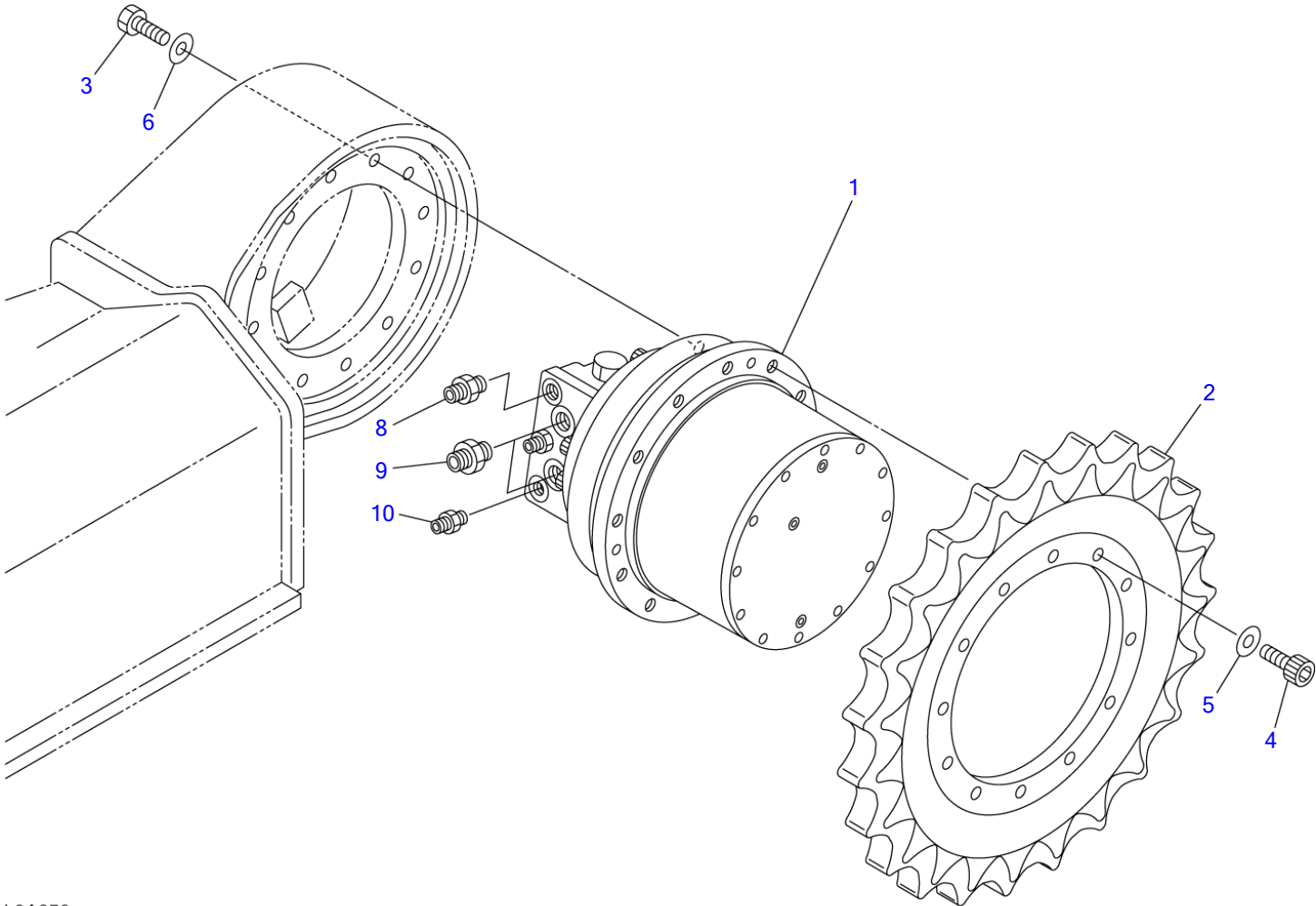
L3A060

S=1/7



**TRACK ADJUSTER**

Item	Part number	Description	Q'ty	Chan.	Serial No.	Serv.	Remarks
		SPRING ASSY (R.H.)					
		SPRING ASSY (L.H.)					
0-1	<b>0561503100</b>	SPRING ASSY	2				
1	<b>0561503200</b>	• ROD	1				
2	<b>0391506350</b>	• PLATE	1				
3	<b>0007000077</b>	• SPRING	1				
4	<b>1132530027</b>	• NUT	1				
5	<b>1213000540</b>	• PIN, spring	1				
0-2	<b>0561503300</b>	CYLINDER ASSY (R.H.)	1				
	<b>0561503400</b>	CYLINDER ASSY (L.H.)	1				
7	<b>1900081000</b>	• CYLINDER, tensioning (R.H.)	1				
	<b>1900081100</b>	• CYLINDER, tensioning (L.H.)	1				
8	<b>1515012040</b>	• ELBOW	2				
	<b>1420010110</b>	• • O-RING	1				
	<b>L3a063</b>						



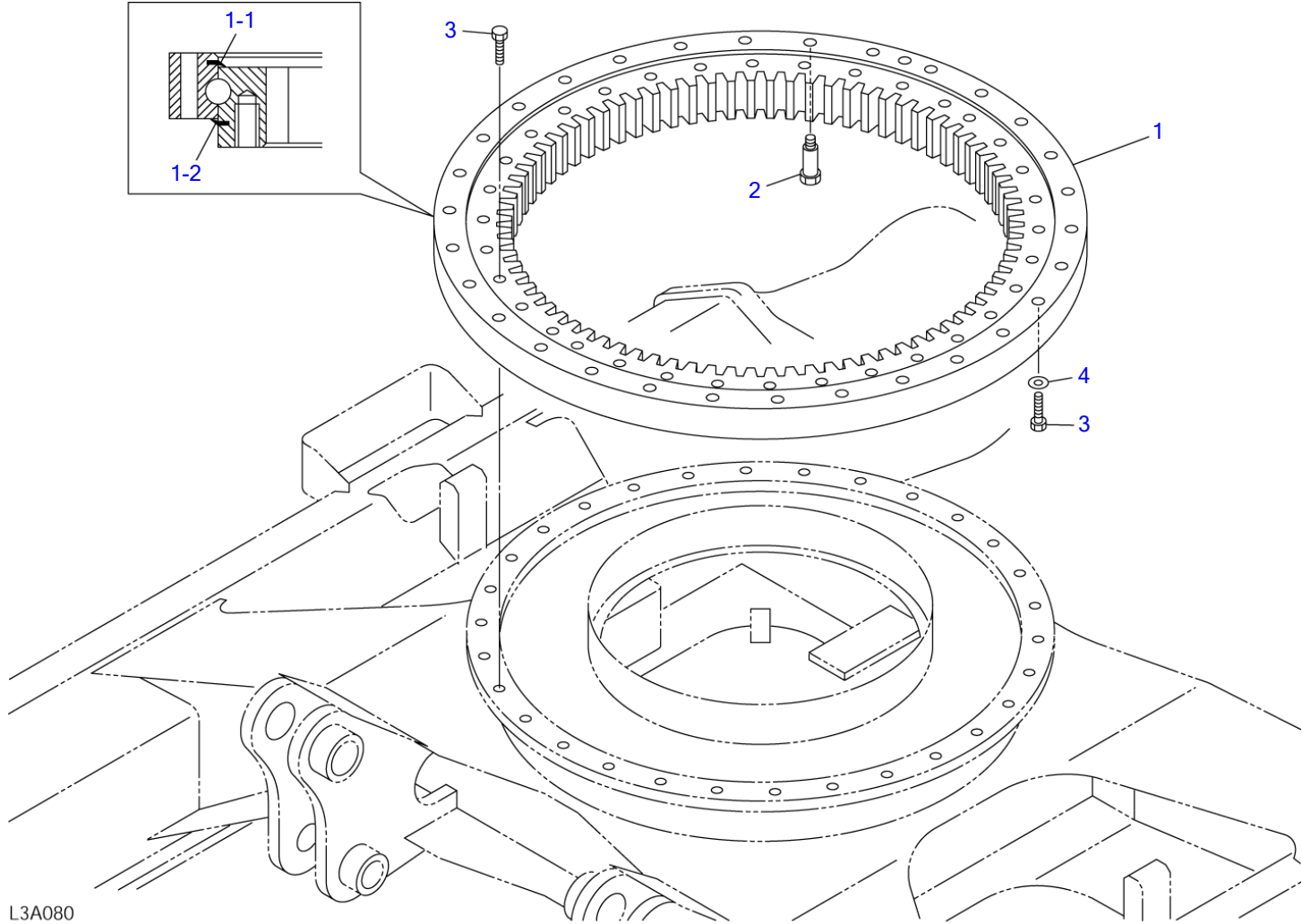
L3A070

S=1/7

**TRAVEL DEVICE**

Item	Part number	Description	Q'ty	Chan.	Serial No.	Serv.	Remarks
		MOTOR ASSY, travel					
1	1903120800	MOTOR, travel	2				
2	0561615100	SPROCKET	2				
3	1100041640	BOLT	24				
4	1110051440	SCREW, cap	24				
5	1141540014	WASHER	24				
6	1141540016	WASHER	24				
8	1515600201	ADAPTOR	2				
	1420010140	• O-RING	1				
9	1515600202	ADAPTOR	4				
	1420010180	• O-RING	1				
10	1515600576	ADAPTOR	2				
	1420010140	• O-RING	1				
	L3a071						

TB175 Book No. BL7Z000 S/N 17530001-  
SLEW BEARING



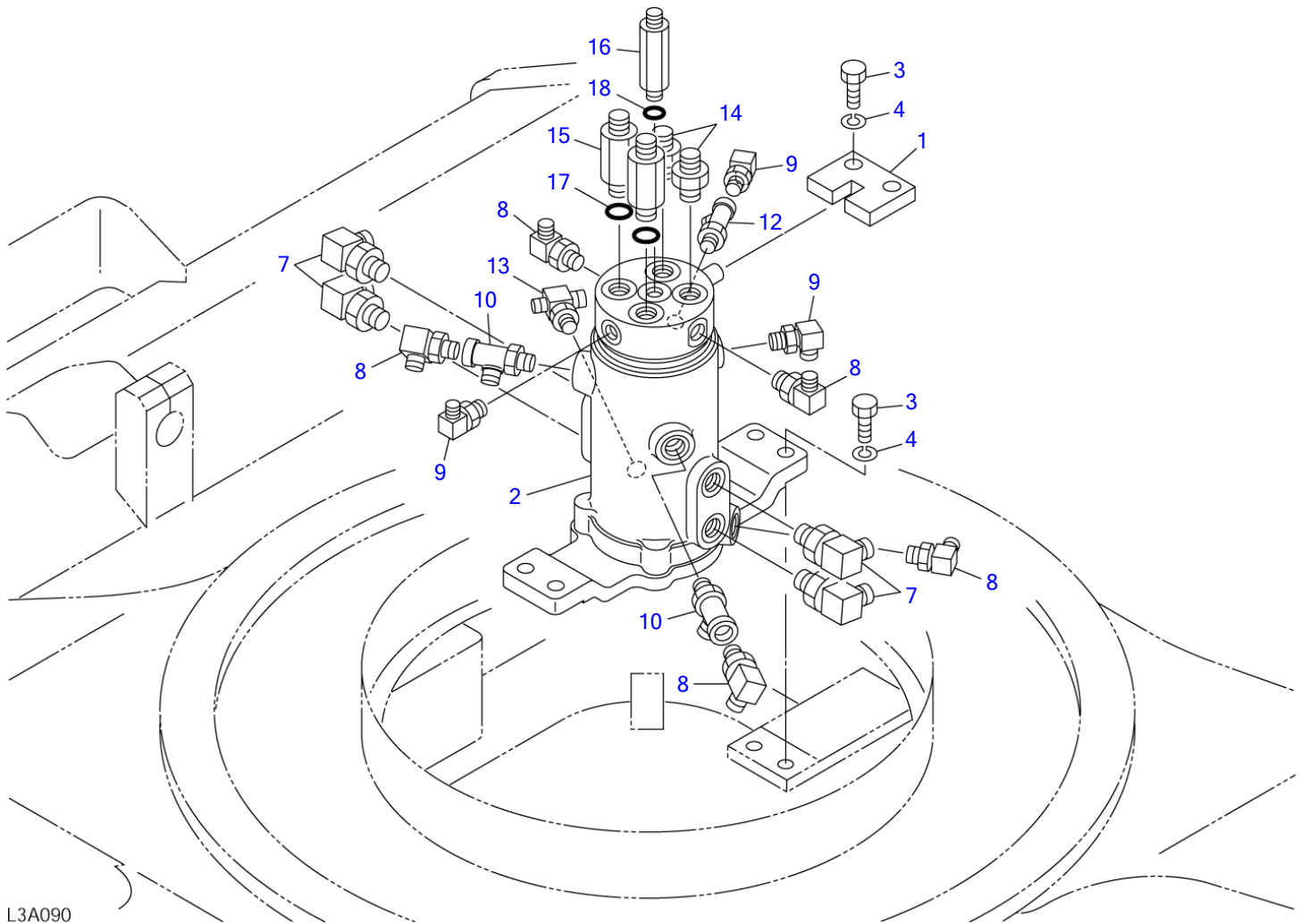
L3A080

S=1/10

**SLEW BEARING**

Item	Part number	Description	Q'ty	Chan.	Serial No.	Serv.	Remarks
		BEARING ASSY, slew					
1	<b>1913004650</b>	BEARING	1				
1-1	<b>1913004658</b>	• SEAL	1				
1-2	<b>1913004659</b>	• SEAL	1				
2	<b>0562016100</b>	BOLT	1				
3	<b>1101041685</b>	BOLT	63				
4	<b>1141550016</b>	WASHER	29				
	<b>L7a040</b>						

TB175 Book No. BL7Z000 S/N 17530001-  
SWIVEL JOINT & ACCESSORIES

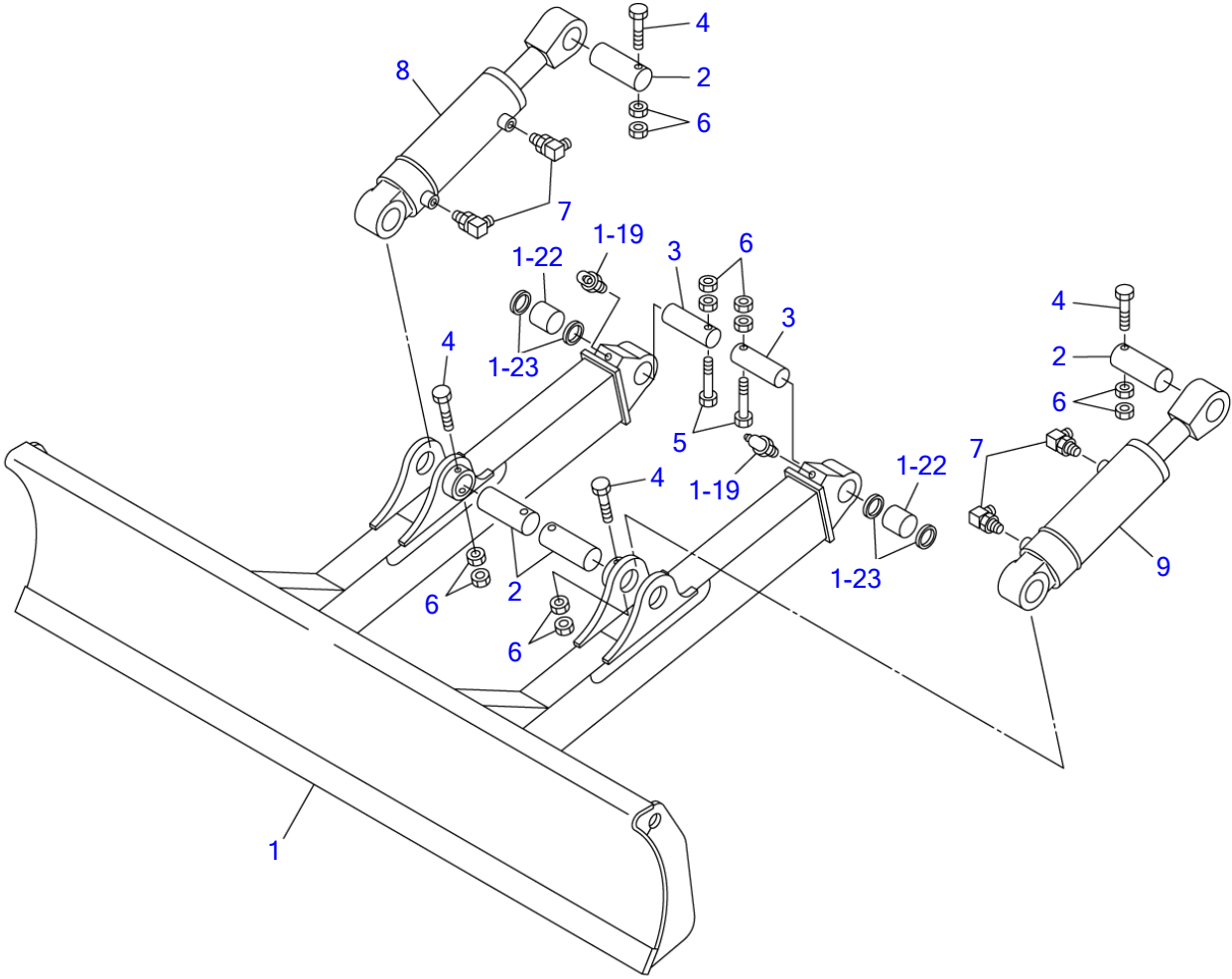


L3A090

S=1/6

**SWIVEL JOINT & ACCESSORIES**

Item	Part number	Description	Q'ty	Chan.	Serial No.	Serv.	Remarks
		JOINT ASSY, swivel					
1	0562100100	COLLAR	1				
2	1904008000	JOINT, swivel	1				
3	1101041440	BOLT	6				
4	1140020014	WASHER, spring	6				
7	1515010042	ELBOW	4				
	1420010180	• O-RING	1				
8	1515010041	ELBOW	5				
	1420010140	• O-RING	1				
9	1515012040	ELBOW	3				
	1420010110	• O-RING	1				
10	1512340011	ELBOW	2				
	1420010140	• O-RING	1				
12	1512340001	ELBOW	1				
	1420010110	• O-RING	1				
13	1512374003	NIPPLE	1				
	1420010140	• O-RING	1				
14	1515600202	ADAPTOR	2				
	1420010180	• O-RING	1				
15	0007203006	ADAPTOR	2				
16	0007203027	ADAPTOR	1				
17	1420010180	O-RING	2				
18	1420010140	O-RING	1				
	L3a091						



L3A101

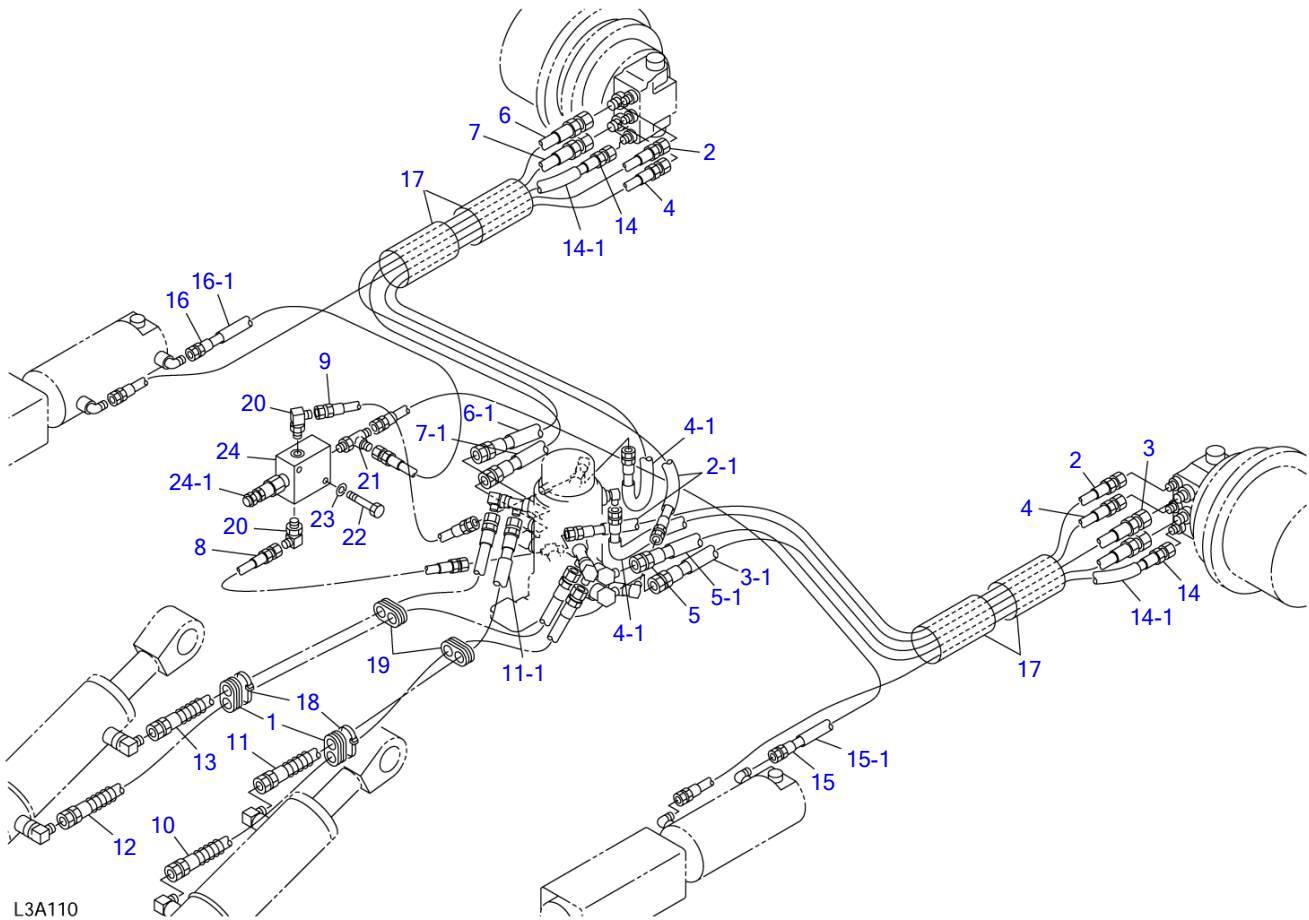
S=1/18



**DOZER BLADE**

Item	Part number	Description	Q'ty	Chan.	Serial No.	Serv.	Remarks
		BLADE ASSY, dozer					
		BLADE ASSY, wide dozer					
1	<b>0566320100</b>	BLADE SUB ASSY, dozer	1				2150mm wide
	<b>0566321100</b>	BLADE SUB ASSY, wide dozer	1				2250mm wide
1-19	<b>1560001675</b>	• FITTING, grease	2				
1-22	<b>0002200016</b>	• BUSHING	2				
1-23	<b>1432200050</b>	• SEAL, dust	4				
2	<b>0001607160</b>	PIN	4				
3	<b>0001605160</b>	PIN	2				
4	<b>1103141205</b>	BOLT	4				
5	<b>1103041295</b>	BOLT	2				
6	<b>1130240012</b>	NUT	12				
7	<b>1515010041</b>	ELBOW	4				
	<b>1420010140</b>	• O-RING	1				
8	<b>1900100900</b>	CYLINDER, dozer blade (R.H.)	1				MITSUO
9	<b>1900101000</b>	CYLINDER, dozer blade (L.H.)	1				MITSUO
	<b>L7a050</b>						

TB175 Book No. BL7Z000 S/N 17530001-  
PIPING; LOWER

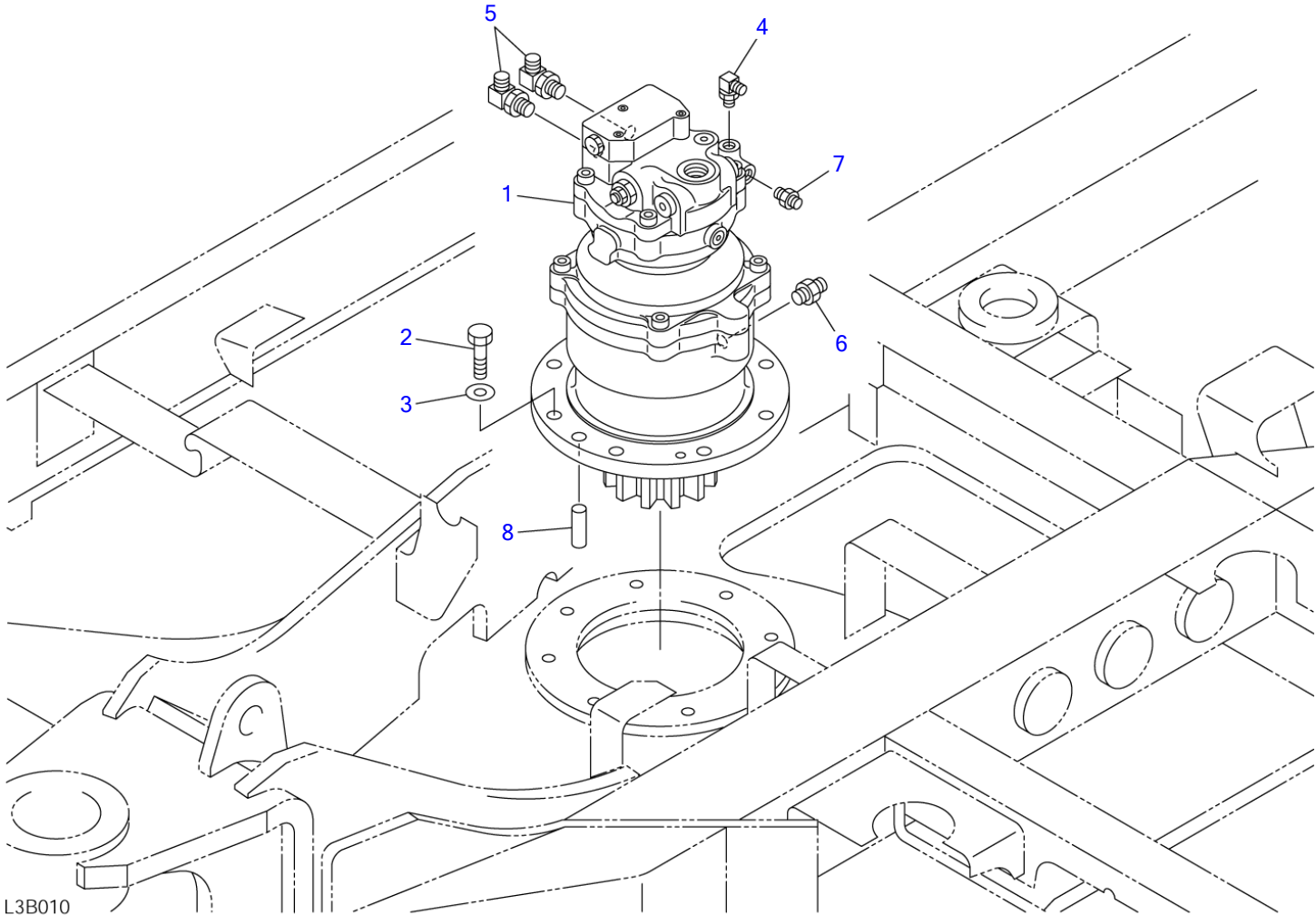


L3A110

S=1/14

PIPING; LOWER

Item	Part number	Description	Q'ty	Chan.	Serial No.	Serv.	Remarks
		PIPING ASSY, lower					
1	0097210300	GUARD	2				
2	0567219010	HOSE ASSY	2				18010-23150
2-1	1532224060	• TUBE	1				sold by the meter
3	0567219020	HOSE ASSY	1				
3-1	1532224050	• TUBE	1				sold by the meter
4	0567219030	HOSE ASSY	2				18010-22150
4-1	1532206060	• TUBE	1				sold by the meter
5	0567219040	HOSE ASSY	1				
5-1	1532224050	• TUBE	1				sold by the meter
6	0567219050	HOSE ASSY	1				
6-1	1532224050	• TUBE	1				sold by the meter
7	0567219060	HOSE ASSY	1				
7-1	1532224050	• TUBE	1				sold by the meter
8	0567219070	HOSE ASSY	1				18010-22040
9	0567219080	HOSE ASSY	1				18010-22042
10	0567219090	HOSE ASSY	1				18045-20120
11	0567219100	HOSE ASSY	1				18045-20108
11-1	1532224030	• TUBE	1				sold by the meter
12	0567219110	HOSE ASSY	1				18045-20135
13	0567219120	HOSE ASSY	1				18045-20096
14	0567219130	HOSE ASSY	2				18010-22135
14-1	1532206050	• TUBE	1				sold by the meter
15	0567219140	HOSE ASSY	1				18010-22177
15-1	1532206095	• TUBE	1				sold by the meter
16	0567219150	HOSE ASSY	1				18010-22133
16-1	1532206095	• TUBE	1				sold by the meter
17	1531350020	PROTECTOR	4				sold by the meter
18	1652200007	BAND	2				
19	0567215100	GUARD	2				
20	1515012040	ELBOW	2				
	1420010110	• O-RING	1				
21	1512370011	TEE	1				
	1420010110	• O-RING	1				
22	1100040645	BOLT	2				
23	1140020006	WASHER, spring	2				
24	1901729800	VALVE, reducing	1				
24-1	1901729802	• VALVE, relief	1				
	L3a112						



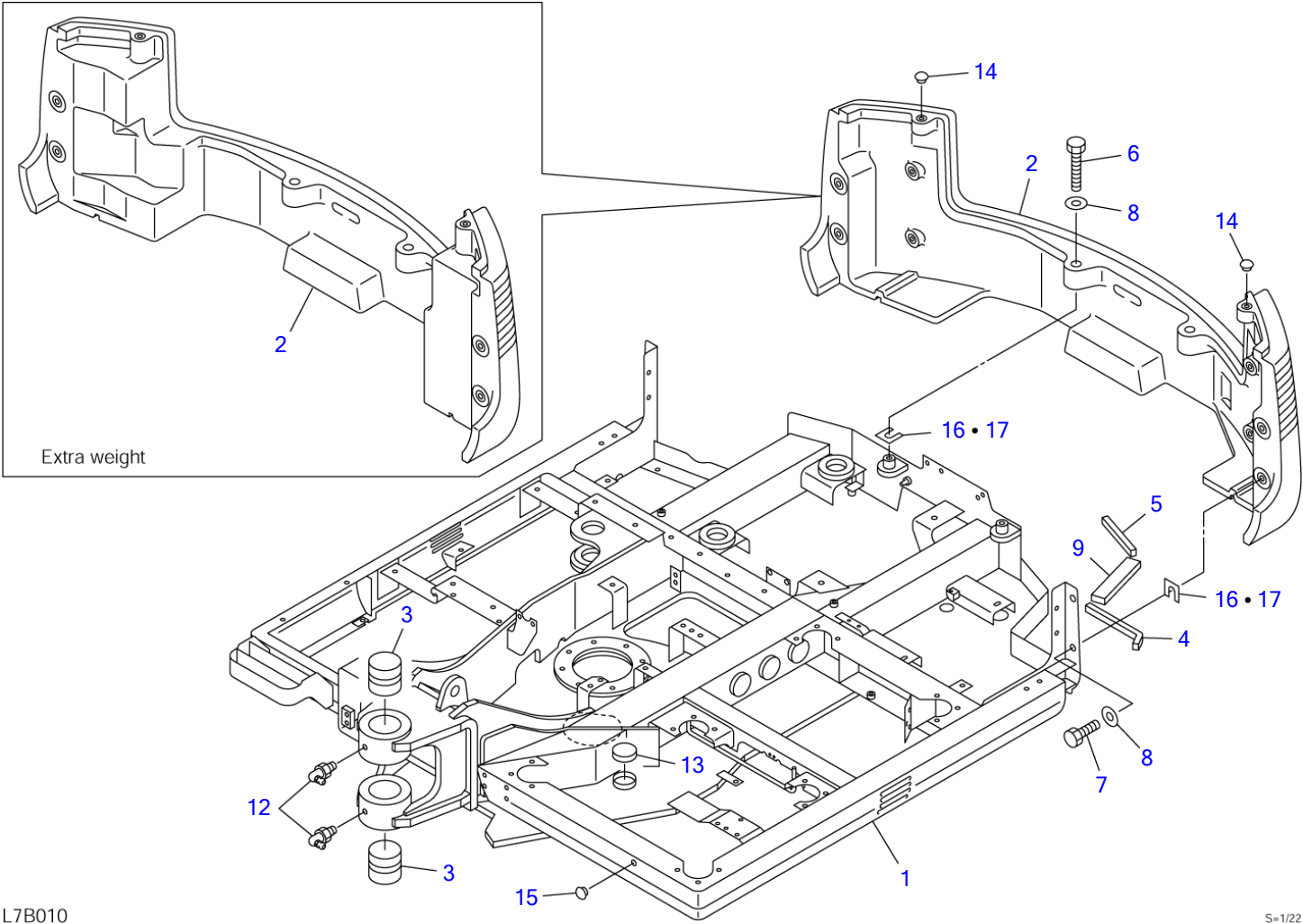
L3B010

S=1/8

**SLEWING DEVICE**

Item	Part number	Description	Q'ty	Chan.	Serial No.	Serv.	Remarks
		DEVICE ASSY, slewing					
1	1903120900	MOTOR, slew	1				
2	1106241650	BOLT	8				
3	1141540016	WASHER	8				
4	1515012040	ELBOW	1				
	1420010110	· O-RING	1				
5	1515010042	ELBOW	2				
	1420010180	· O-RING	1				
6	1515600201	ADAPTOR	1				
	1420010140	· O-RING	1				
7	1515600200	ADAPTOR	1				
	1420010110	· O-RING	1				
8	0562313100	PIN, parallel	1				
	L3b011						

TB175 Book No. BL7Z000 S/N 17530001-  
TURNTABLE



L7B010

S=1/22

**BUY NOW**

**Then Instant Download  
the Complete Manual  
Thank you very much!**