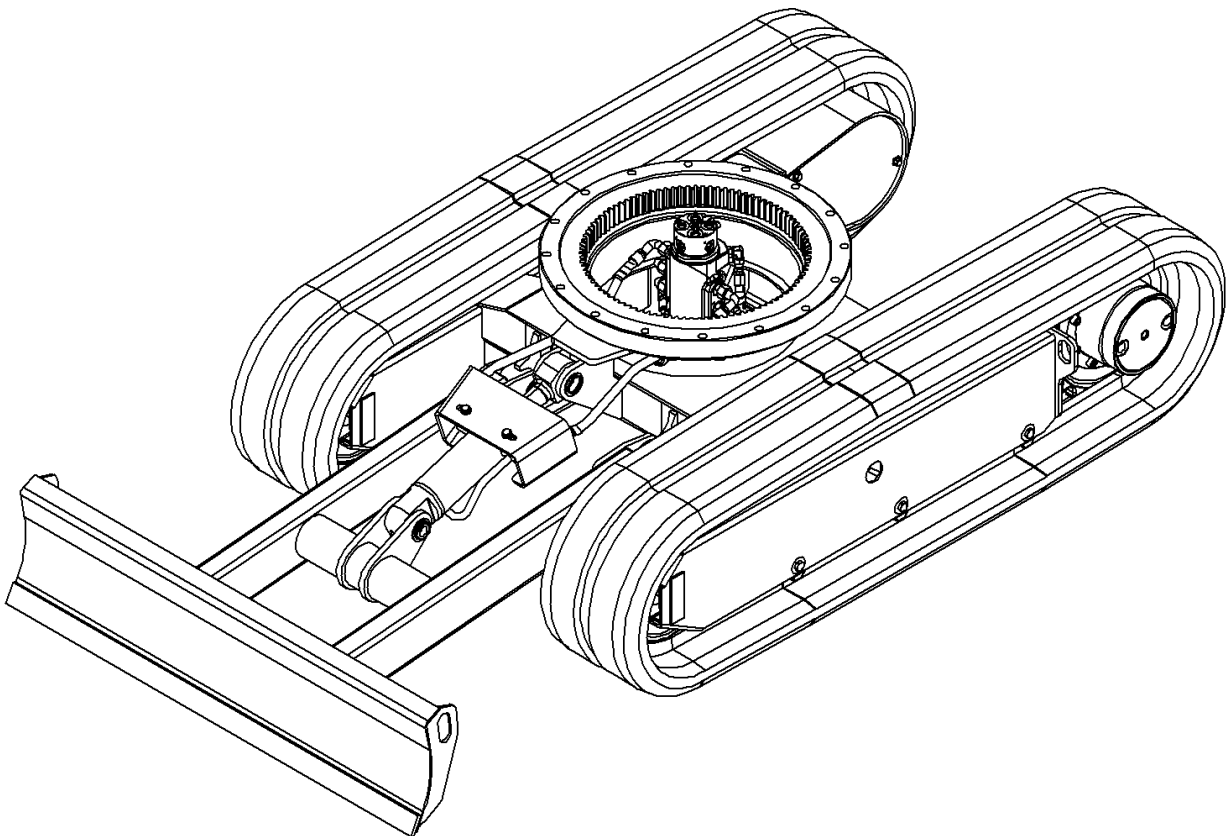


Document Title: Undercarriage, description	Function Group:	Information Type: Service Information	Date: 2014/3/20
Profile: CEX, EC15C [GB]			

Undercarriage, description

The undercarriage consists of a welded H-shaped centre section. The swing ring gear has remote lubrication. The track unit consisting of a track chain, guide wheel including spring package, drive wheel, slide rails, lower running rollers and dozer blade is also part of the undercarriage.



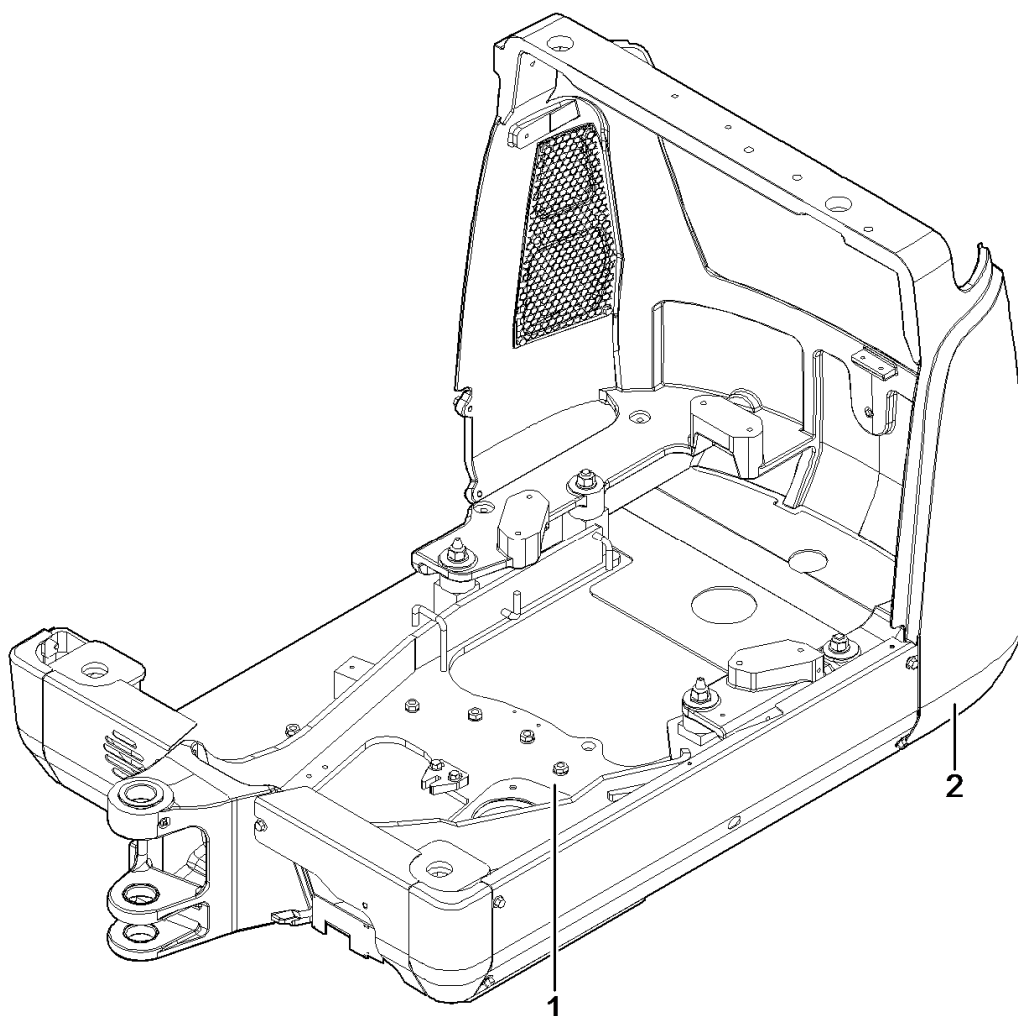
V1073365

Figure 1
Undercarriage

Document Title: Superstructure covering, description	Function Group:	Information Type: Service Information	Date: 2014/3/20
Profile: CEX, EC15C [GB]			

Superstructure covering, description

The superstructure consists of a welded construction and a cast rear part which acts as a counterweight. The swinging superstructure carries the machine driver's cab, motor and excavator. The superstructure and undercarriage are connected together via an encapsulated swing ring gear.



V1075857

Figure 1
Superstructure

1. Welded construction
2. Rear part (counterweight)

Document Title: Front idler, removal	Function Group:	Information Type: Service Information	Date: 2014/3/20
Profile: CEX, EC15C [GB]			

Front idler, removal

Remove a front guide wheel.

Op nbr 775-009

Fitting lever

Hoist or crane

Lifting device



WARNING

Risk of crushing injuries

1. Park the machine on level ground and remove the rubber track. See [7754 Rubber track, removing](#).
2. Remove dozer blade extension.

NOTE!

Only on machines with variable suspension!

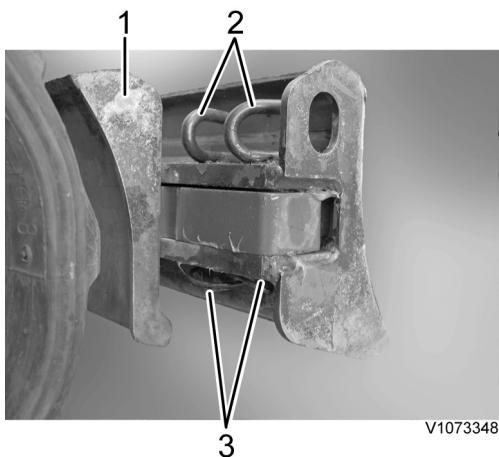
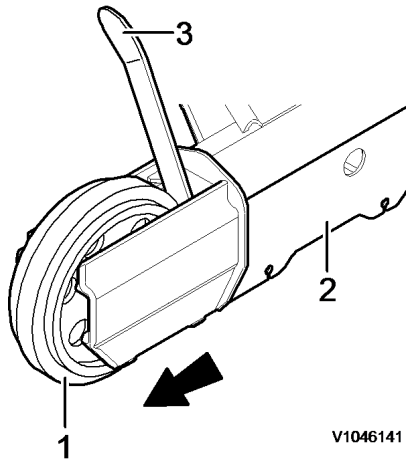


Figure 1

Dozer blade extension, remove

1. Dozer blade extension
 2. Bolt
 3. Folding plug
3. Lower the dozer blade to the stop.
 4. Pull the guide wheel unit (1) from the underframe (2) using the fitting lever (3).



V1046141

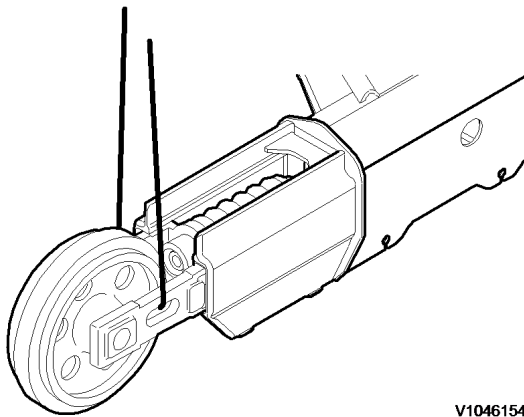
Figure 2
Pull guide wheel unit out of underframe.

1. Guide wheel unit
2. Underframe
3. Fitting lever

5. Attach the lifting tool at the centre of gravity of the guide wheel unit and raise the guide wheel unit out of the undercarriage.

NOTE!

Weight of guide wheel: approx. 23.5 kg (51.81 lbs)



V1046154

Figure 3
Remove guide wheel unit

Document Title: Front idler, installation	Function Group:	Information Type: Service Information	Date: 2014/3/20
Profile: CEX, EC15C [GB]			

Front idler, installation

Attach a front guide wheel.

Op nbr 775-010

Hoist or crane

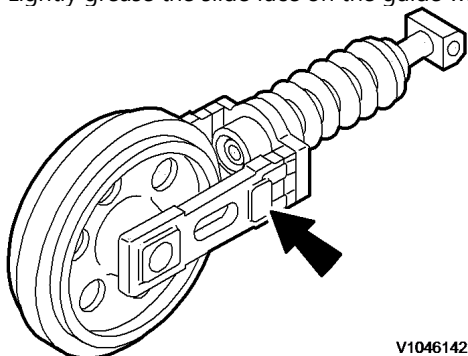
Lifting device



WARNING

Lift objects only with the lifting tackle provided for this purpose.

1. Clean the undercarriage, slide faces and rear guide wheel unit holder.
2. Lightly grease the slide face on the guide wheel unit.



V1046142

Figure 1
Slide faces, grease



WARNING

Risk of crushing injuries

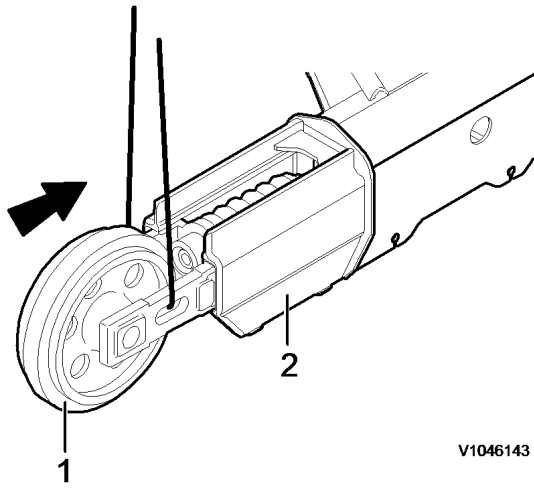
3. Attach a suitable lifting tool at the centre of gravity of the guide wheel unit and insert the guide wheel (1) in the undercarriage (2).

NOTE!

Weight of guide wheel unit: approx. 23.5 kg (51.81 lbs)

NOTE!

Note direction of fitting of guide wheel unit.



V1046143

Figure 2
Fit guide wheel unit.

1. Guide wheel unit
2. Undercarriage

4. Fit rubber track. See [7754 Rubber track, installing.](#)

Document Title: Sprocket, removal	Function Group:	Information Type: Service Information	Date: 2014/3/20
Profile: CEX, EC15C [GB]			

Sprocket, removal

Remove a guide wheel

Op nbr 775-022

1. Park the machine on level ground and remove the rubber track. See [7754 Rubber track, removing](#)
2. Loosen and unscrew bolts (1) on the drive wheel (2).

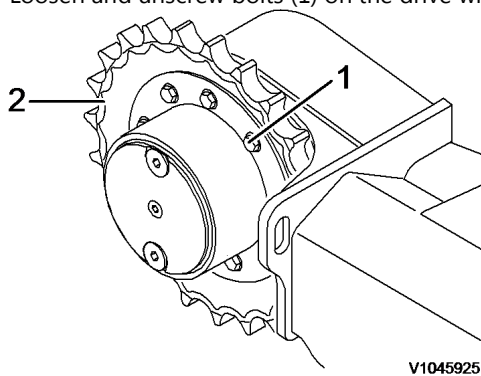


Figure 1
Driving gear

1. Screws
 2. Driving gear
3. Remove drive wheel (2).

Document Title: Sprocket, installation	Function Group:	Information Type: Service Information	Date: 2014/3/20
Profile: CEX, EC15C [GB]			

Sprocket, installation

Fit a guide wheel

Op nbr 775-023

1. Clean the seat (1) of the drive wheel (2).

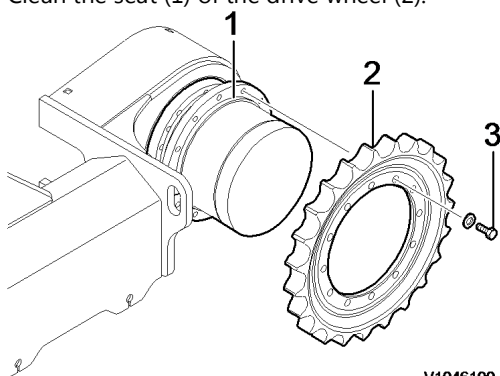


Figure 1
Fit drive wheel

1. Drive wheel seat
2. Driving gear
3. Screws

2. Position new drive wheel (2).
3. Screw in bolts (3) of drive wheel (2).

NOTICE

Use locking compound on the bolts.

NOTE!

Use Loctite 243

4. Tighten bolts (3) with a torque wrench. For tightening torques see [030 Track motor, tightening torques](#)

NOTE!

Tighten screws crosswise.

5. Fit rubber track. See [7754 Rubber track, installing](#)

Hello

**Thank you very much
for reading.**

PLEASE CLICK HERE.

Then back to the site.

At the bottom of the
page,

free add to card.

Then get more free information